



US00D532423S

(12) **United States Design Patent**
Lee et al.

(10) **Patent No.:** **US D532,423 S**
(45) **Date of Patent:** **** Nov. 21, 2006**

(54) **MEMORY DEVICE WITH RELEASE
BUTTON FOR USE WITH CELLULAR
TELEPHONES**

(75) Inventors: **Randy C. Lee**, Mountain View, CA
(US); **James C. Patton**, Salinas, CA
(US); **Thomas J. Beck**, Los Gatos, CA
(US)

(73) Assignee: **Spark Technology Corporation**, San
Jose, CA (US)

(**) Term: **14 Years**

(21) Appl. No.: **29/227,234**

(22) Filed: **Apr. 8, 2005**

(51) **LOC (8) Cl.** **14-02**

(52) **U.S. Cl.** **D14/435**

(58) **Field of Classification Search** D14/356,
D14/242, 436, 433, 435; 360/97.01; 361/685,
361/686, 752, 737; 439/135, 144, 139-141,
439/147, 136, 638, 518; 365/51, 63, 131;
710/52, 300; 345/172, 158

See application file for complete search history.

(56) **References Cited**

U.S. PATENT DOCUMENTS

| | | | | | |
|------------|---|---------|-----------|-------|---------|
| D444,788 S | * | 7/2001 | Do et al. | | D14/433 |
| D449,615 S | * | 10/2001 | Lloyd | | D14/433 |
| D462,689 S | * | 9/2002 | Moran | | D14/433 |
| D463,426 S | * | 9/2002 | Cheng | | D14/356 |

| | | | | | |
|-----------------|---|---------|----------------|-------|-----------|
| 6,456,500 B1 | * | 9/2002 | Chen | | 361/752 |
| 6,522,534 B1 | * | 2/2003 | Wu | | 361/686 |
| D471,516 S | * | 3/2003 | Tsay et al. | | D13/107 |
| 6,561,421 B1 | * | 5/2003 | Yu | | 235/451 |
| 6,618,243 B1 | * | 9/2003 | Tirosh | | 361/683 |
| 6,650,534 B1 | * | 11/2003 | Tree | | 361/686 |
| 6,671,808 B1 | * | 12/2003 | Abbott et al. | | 726/4 |
| D494,969 S | * | 8/2004 | Lin | | D14/356 |
| 2003/0005337 A1 | * | 1/2003 | Poo et al. | | 713/202 |
| 2003/0043111 A1 | * | 3/2003 | Huang | | 345/156 |
| 2003/0063196 A1 | * | 4/2003 | Palatov et al. | | 348/211.2 |
| 2003/0090472 A1 | * | 5/2003 | Im | | 345/172 |
| 2003/0137859 A1 | * | 7/2003 | Sugawara | | 365/51 |
| 2003/0167376 A1 | * | 9/2003 | Koh | | 711/115 |
| 2003/0183698 A1 | * | 10/2003 | Wu | | 235/492 |
| 2003/0233519 A1 | * | 12/2003 | Chien et al. | | 711/115 |
| 2004/0038592 A1 | * | 2/2004 | Yang | | 439/638 |

* cited by examiner

Primary Examiner—Alan P. Douglas
Assistant Examiner—Susan Moon Lee

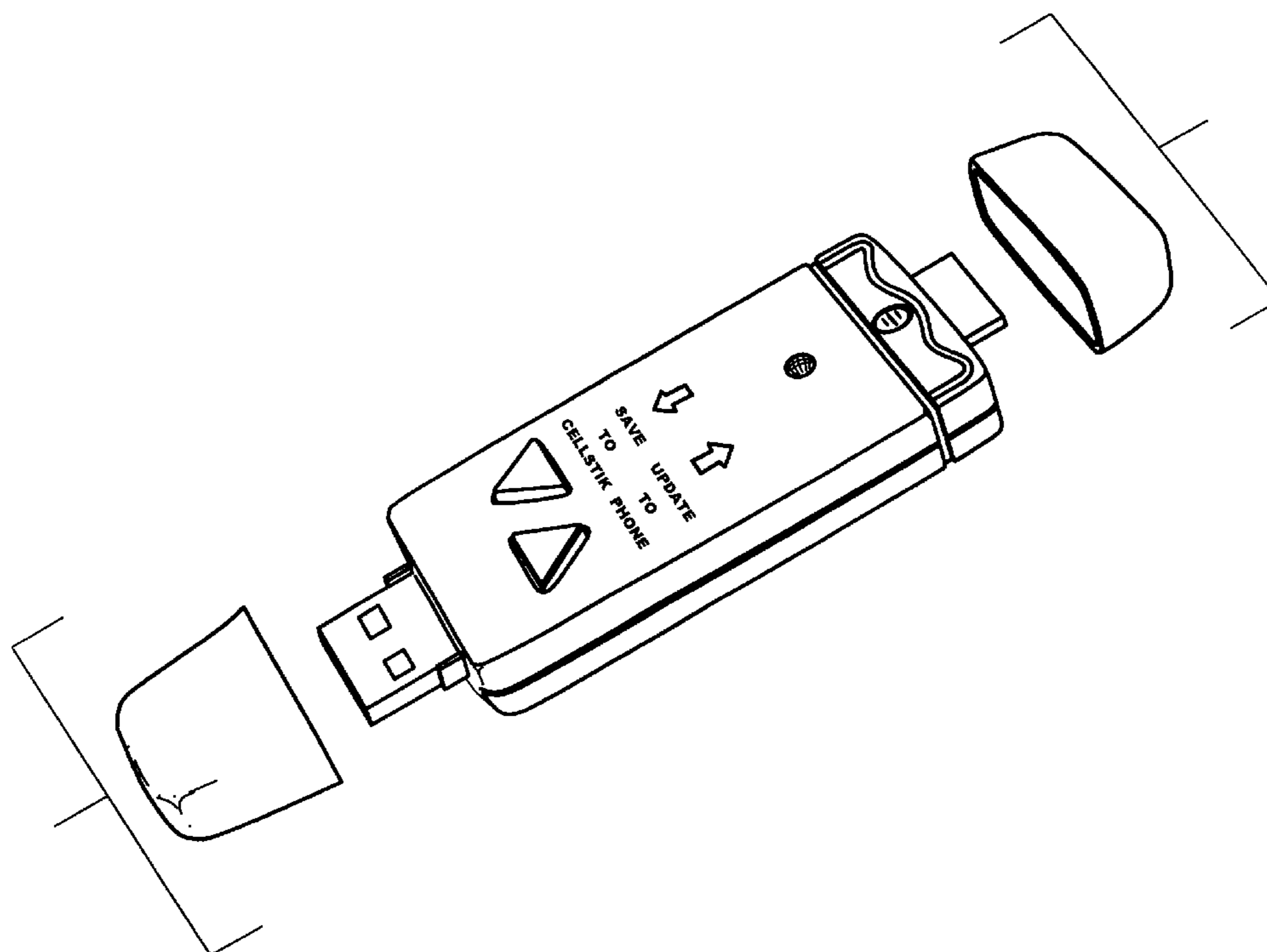
(57) **CLAIM**

We claim the ornamental design for a memory device with release button for use with cellular telephones, as shown and described.

DESCRIPTION

FIG. 1 is a side perspective view of a memory device according to the present design;
FIG. 2 is an opposite side view thereof; and,
FIG. 3 is an exploded view thereof.

1 Claim, 3 Drawing Sheets



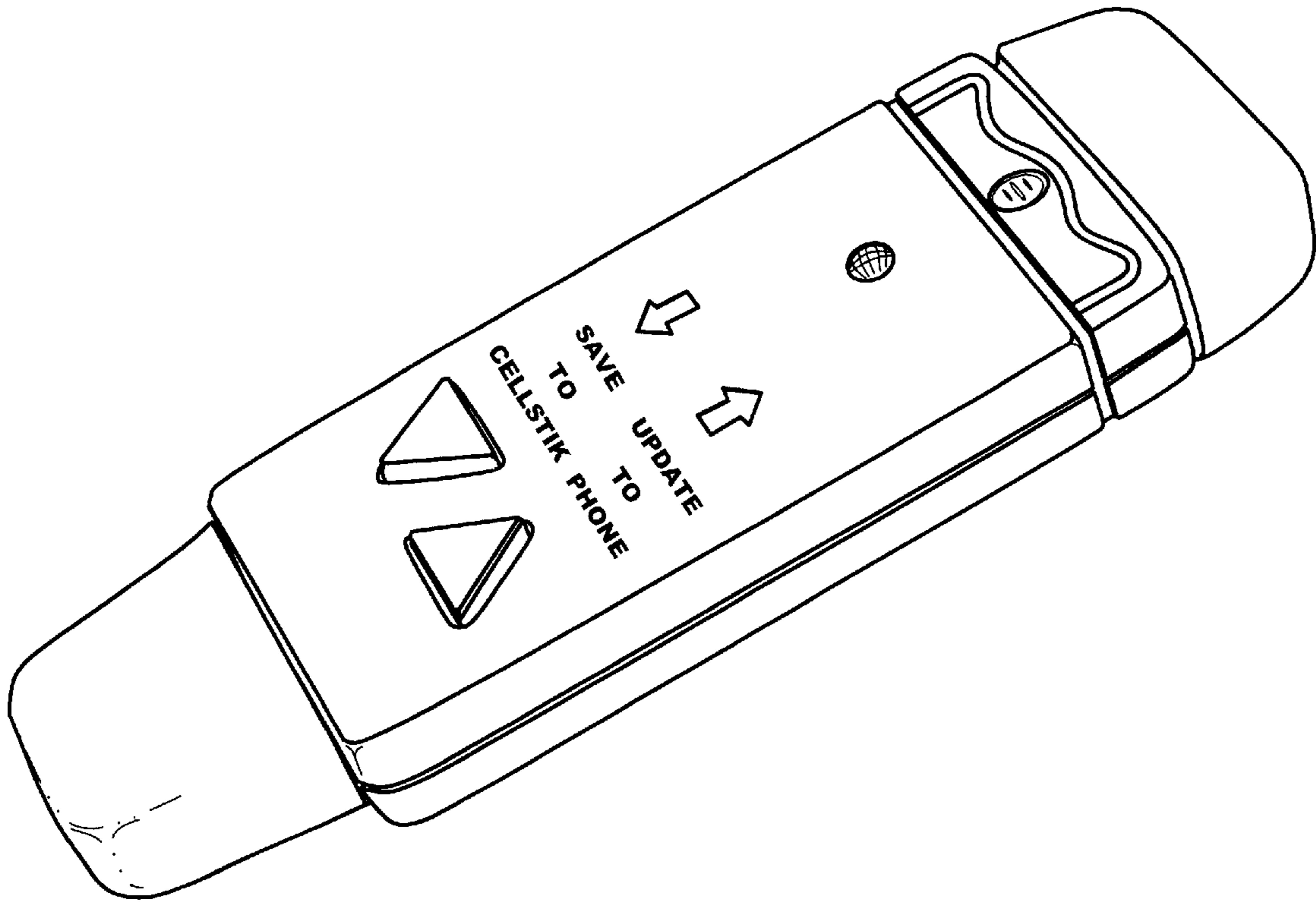


Fig. 1

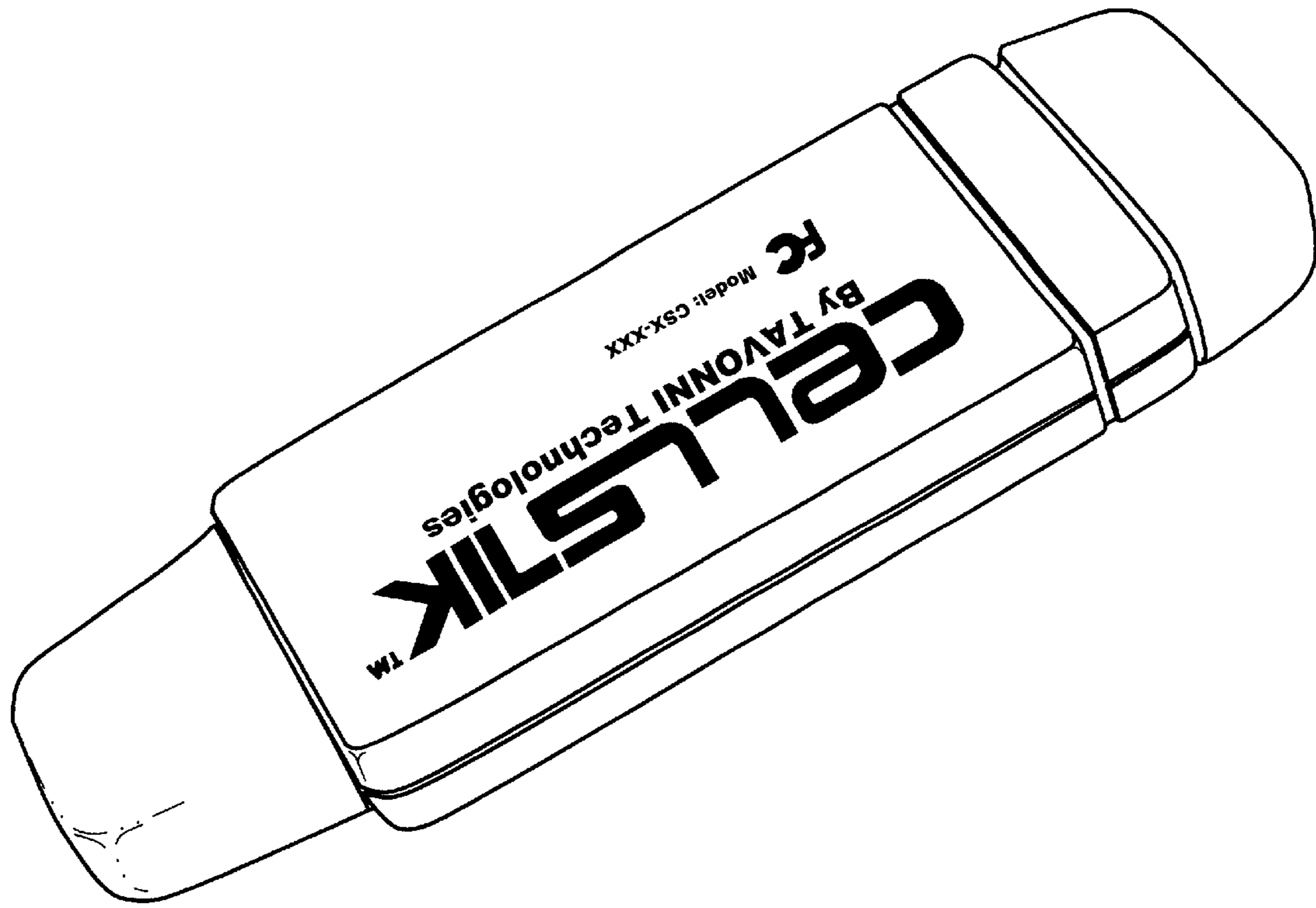


Fig. 2

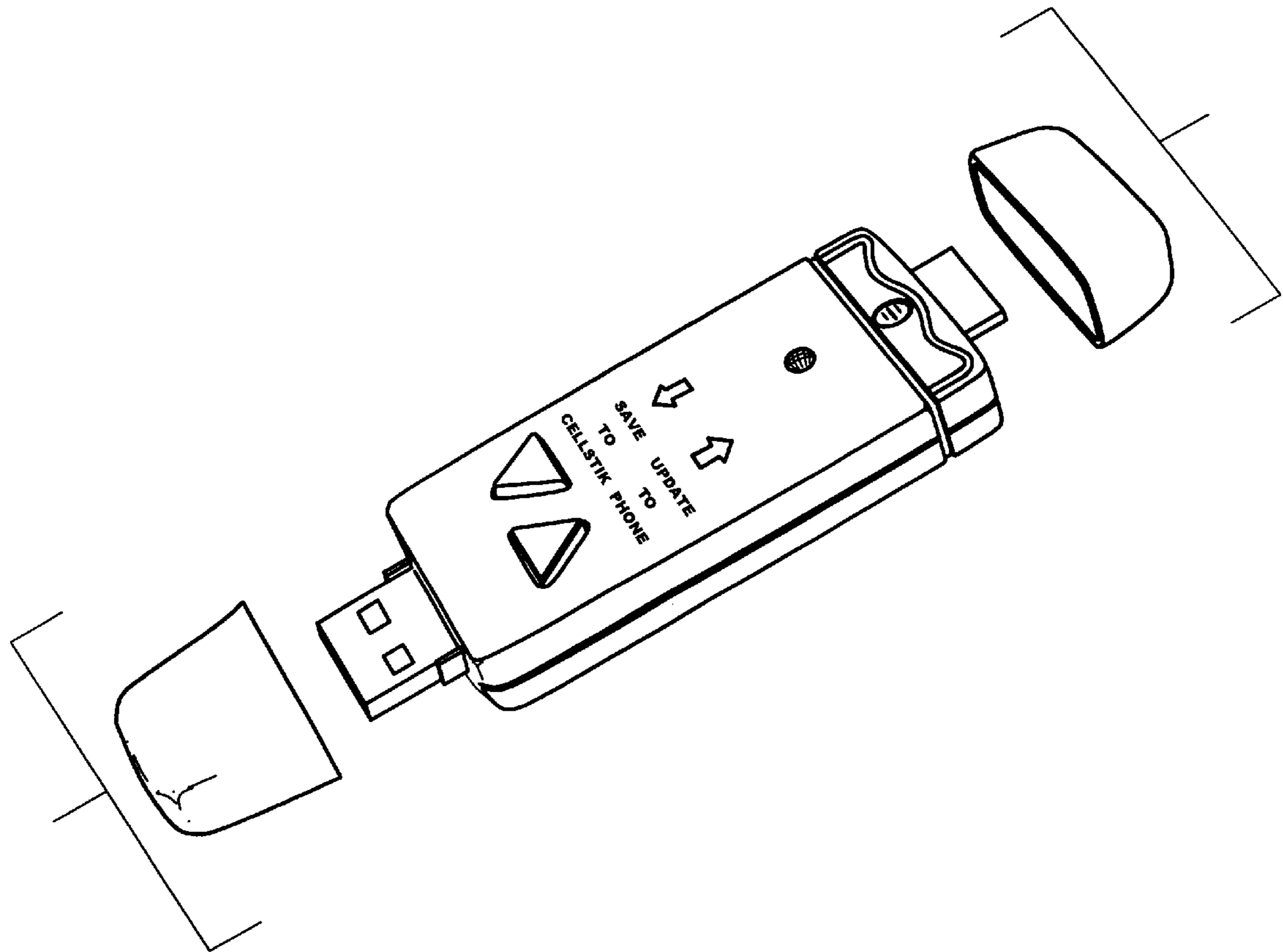


Fig. 3