



US00D532418S

(12) **United States Design Patent**
Crisp

(10) **Patent No.:** **US D532,418 S**

(45) **Date of Patent:** **** Nov. 21, 2006**

(54) **COMPUTER SERVER**

(75) Inventor: **Richard Crisp**, Austin, TX (US)

(73) Assignee: **Interantional Business Machines Corporation**, Armonk, NY (US)

(**) Term: **14 Years**

(21) Appl. No.: **29/240,480**

(22) Filed: **Oct. 13, 2005**

(51) **LOC (8) Cl.** **14-02**

(52) **U.S. Cl.** **D14/313**

(58) **Field of Classification Search** D14/300-302,
D14/308-314, 214, 348, 441, 354-356; D13/162,
D13/163, 184, 199; 312/223.1-223.3; 360/99.01-99.12;
361/680-687; 369/34.01, 36.01
See application file for complete search history.

(56) **References Cited**

U.S. PATENT DOCUMENTS

D411,985 S * 7/1999 Hartel D14/313
D431,239 S * 9/2000 Sasago D14/214

D447,483 S * 9/2001 Wu D14/441
D475,705 S * 6/2003 Coglitore et al. D14/356
D476,986 S * 7/2003 Andre et al. D14/313
6,741,467 B1 * 5/2004 Coglitore et al. 361/687

* cited by examiner

Primary Examiner—Freda S. Nunn

(74) *Attorney, Agent, or Firm*—James R. Nock

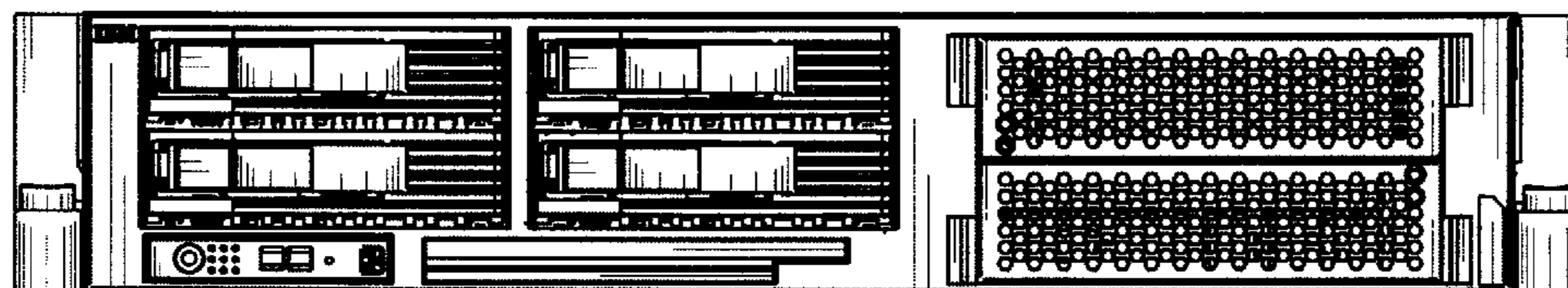
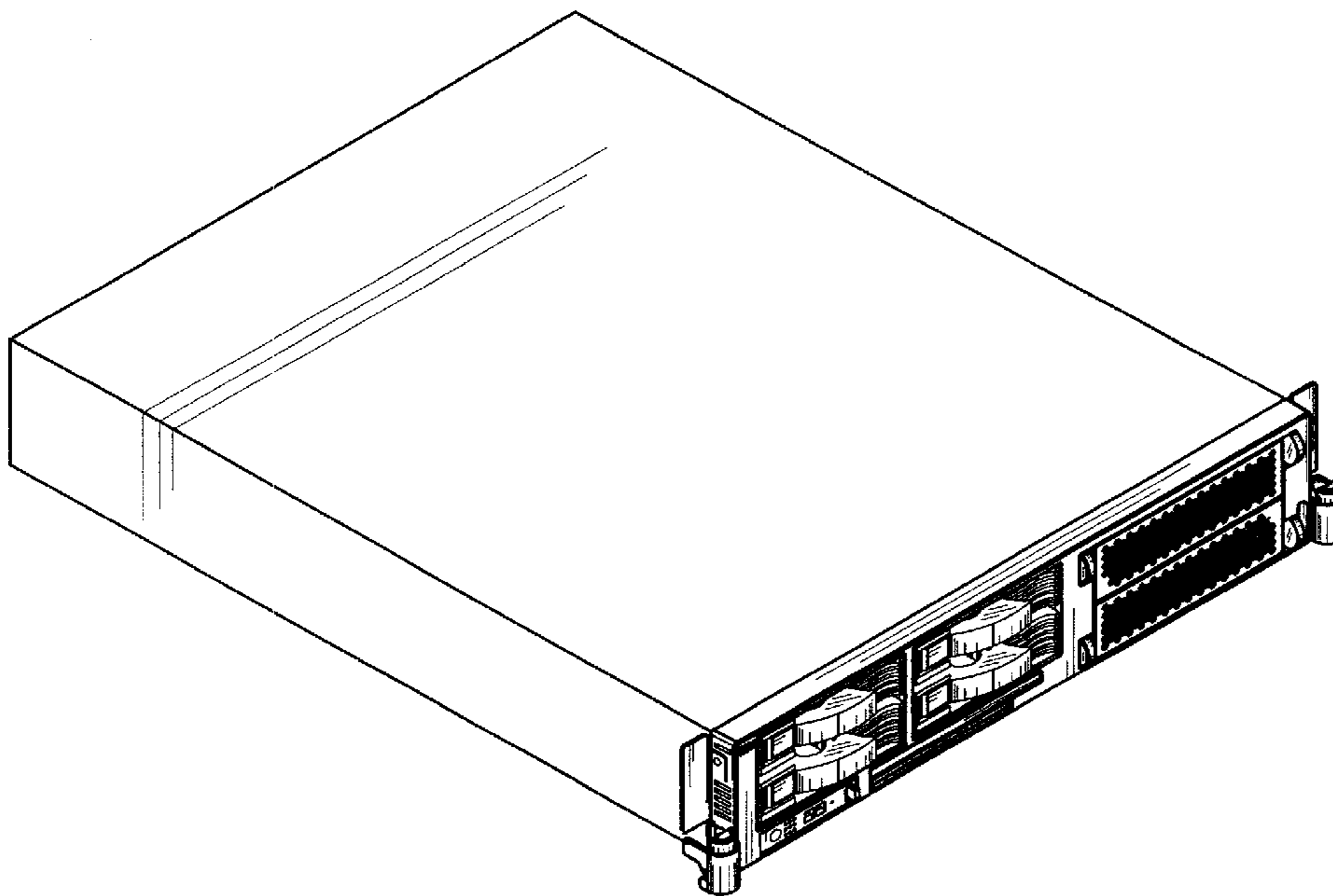
(57) **CLAIM**

The ornamental design of a computer server, as shown and described.

DESCRIPTION

FIG. 1 is a right, front perspective view of the computer server, showing my new design;
FIG. 2 is a left, front perspective view thereof;
FIG. 3 is a front view thereof;
FIG. 4 is a top view thereof; and,
FIG. 5 is a right side view thereof.
The left side view is a mirror image of the right side view shown in FIG. 5. The rear and bottom views are unornamented.

1 Claim, 5 Drawing Sheets



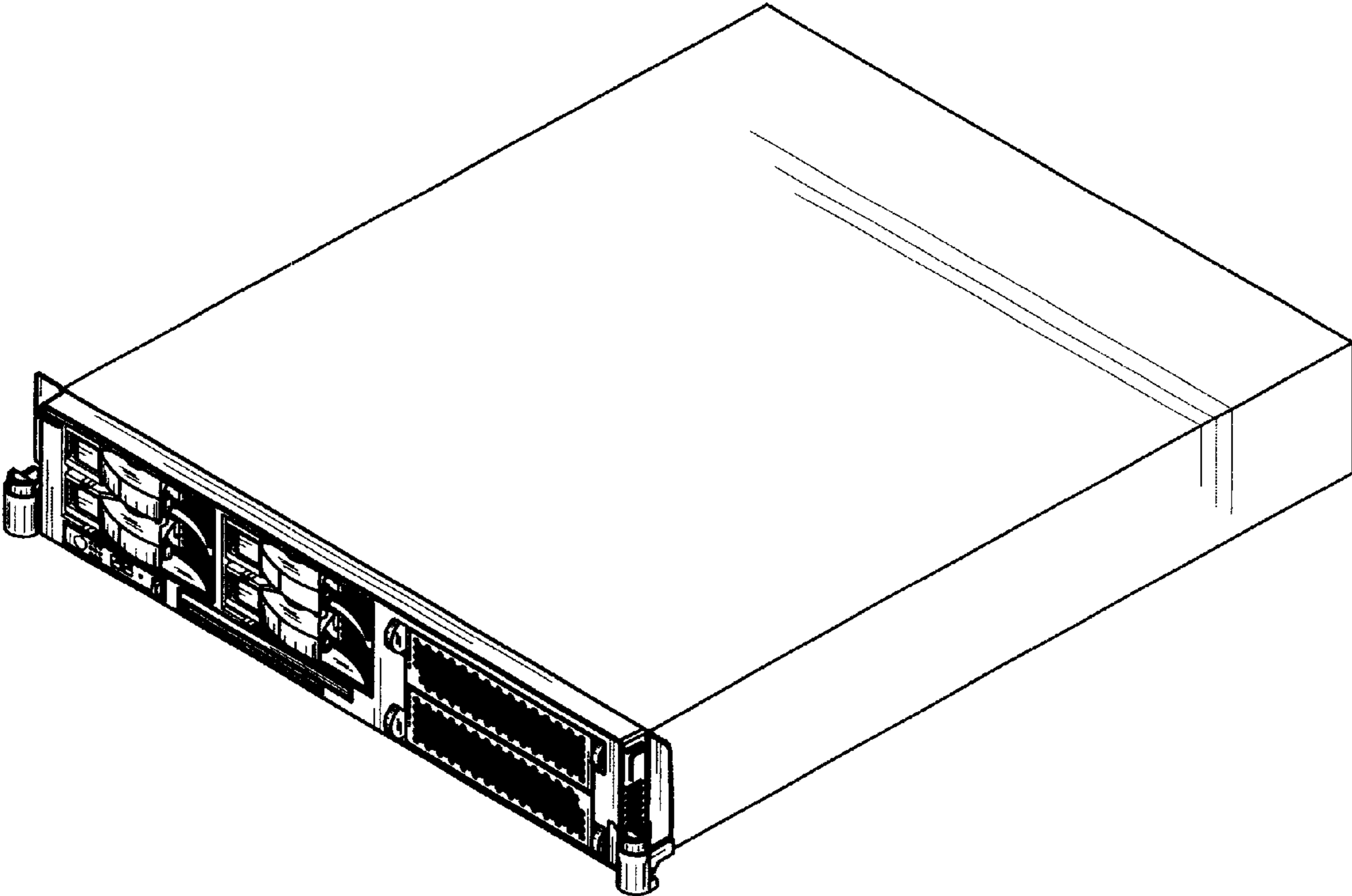


Fig. 1

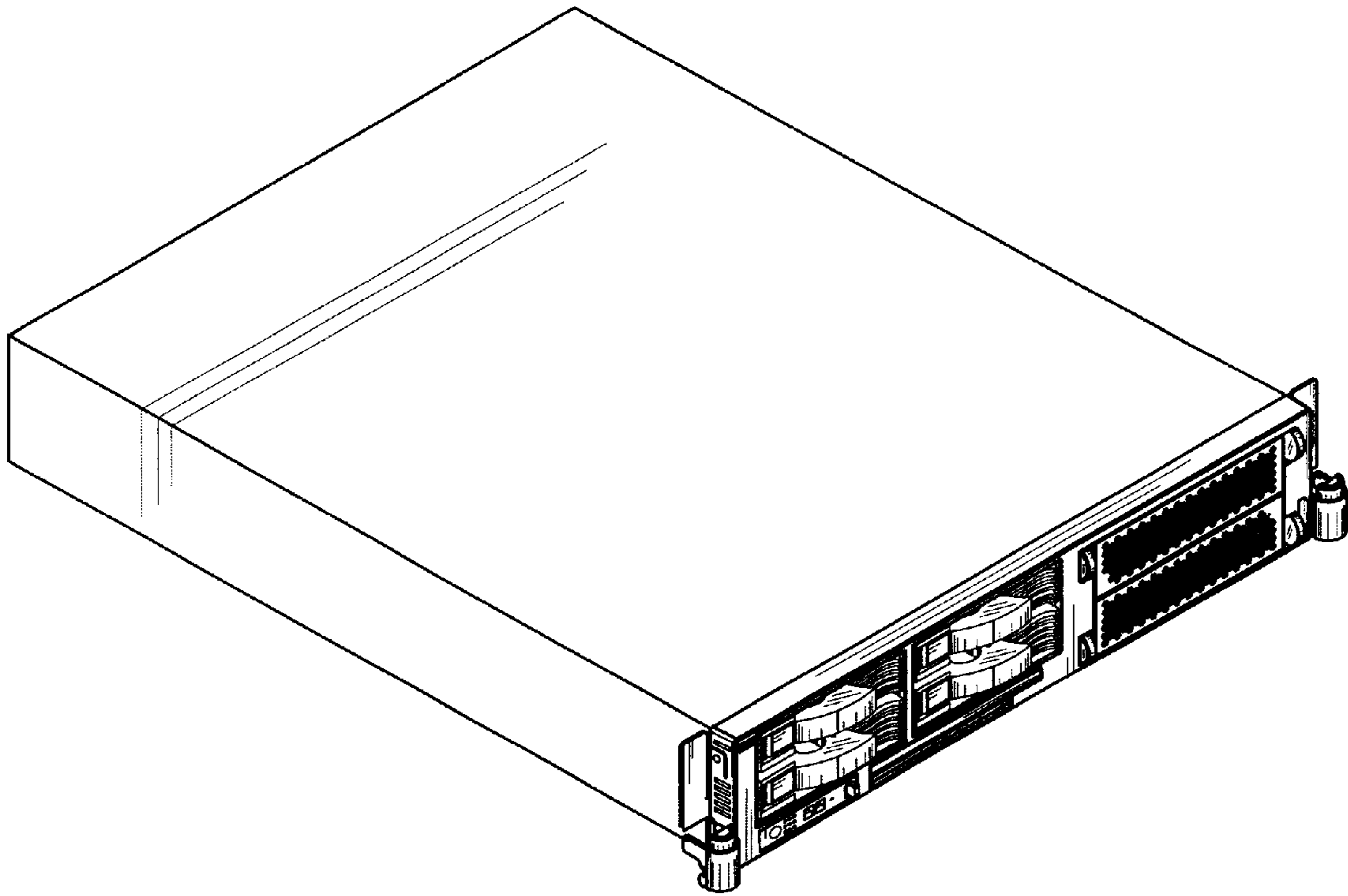


Fig. 2

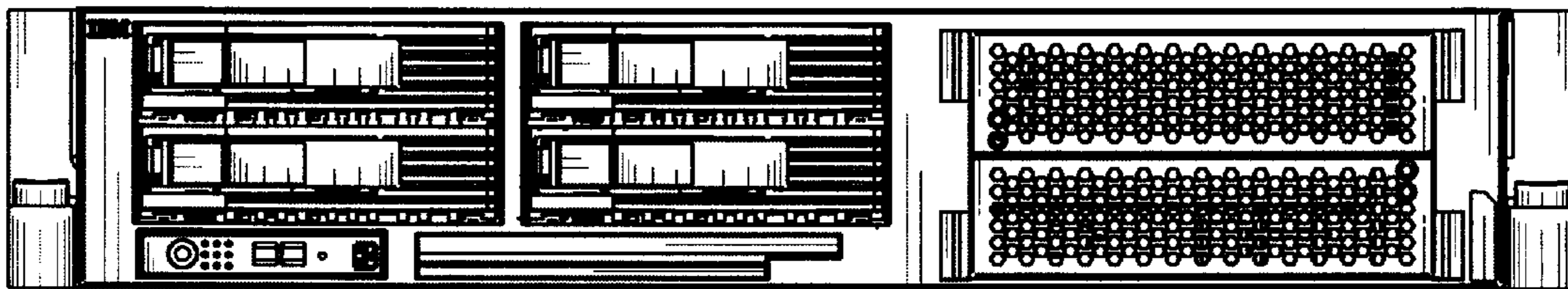


Fig. 3

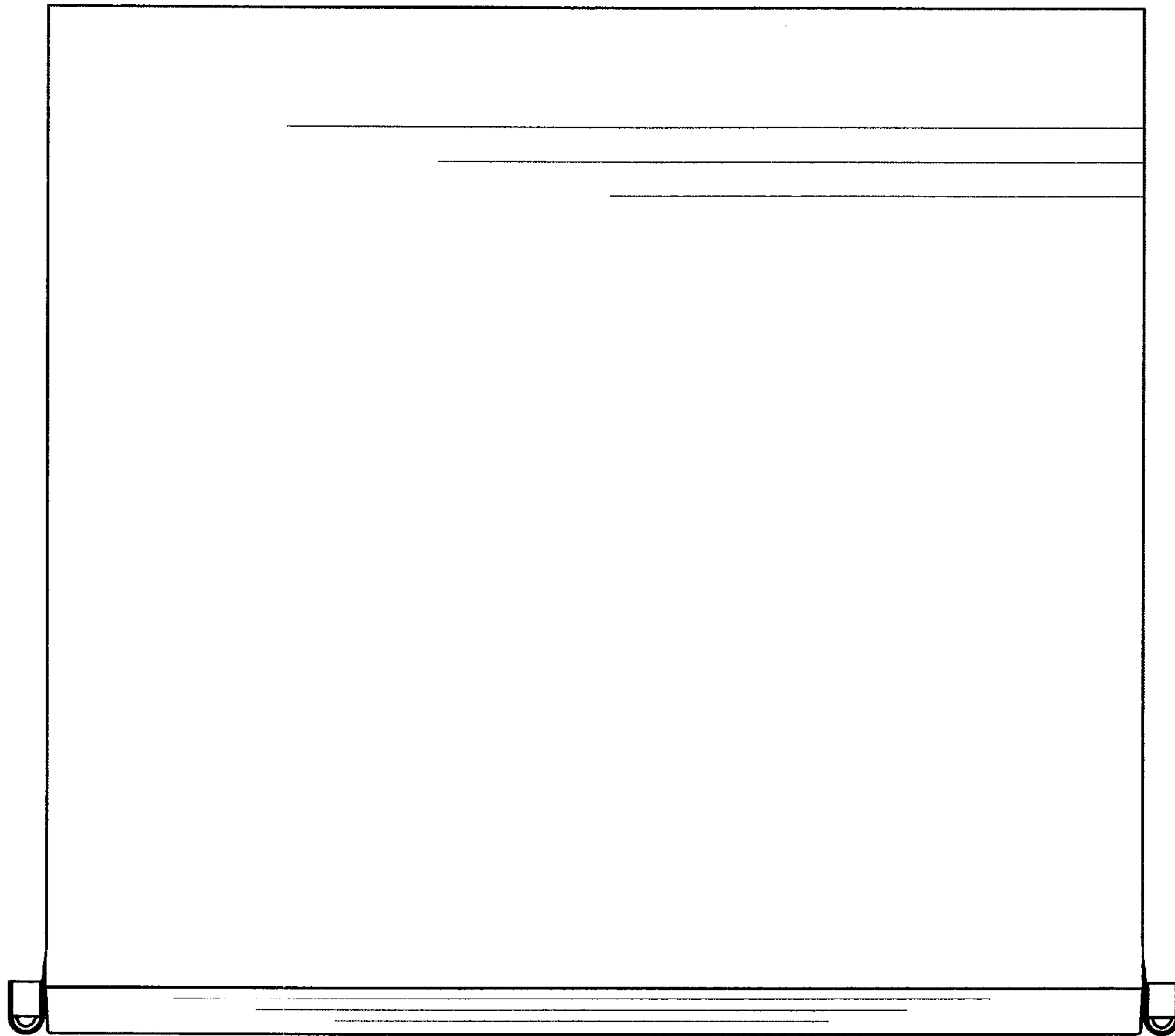


Fig. 4



Fig. 5