



US00D532413S

(12) **United States Design Patent**  
**Goldstein**

(10) **Patent No.:** **US D532,413 S**

(45) **Date of Patent:** **\*\* Nov. 21, 2006**

(54) **TELEVISION COVER WITH SLITS**  
(76) Inventor: **Daniel Joshua Goldstein**, 224 Guerrero St., San Francisco, CA (US) 94103  
(\*\*) Term: **14 Years**  
(21) Appl. No.: **29/193,353**  
(22) Filed: **Nov. 6, 2003**

(51) **LOC (8) Cl.** ..... **14-03**  
(52) **U.S. Cl.** ..... **D14/239**  
(58) **Field of Classification Search** ..... D14/432, D14/439-450, 125, 239; D26/51-52, 105, D26/108, 118-128, 76; 312/7.2; 348/834, 348/823, 832; 359/443, 891, 887; 40/453; 181/289

See application file for complete search history.

(56) **References Cited**

**U.S. PATENT DOCUMENTS**

D142,287 S \* 8/1945 Miller ..... D26/120  
2,496,752 A \* 2/1950 Rose ..... 312/7.2  
D157,862 S \* 3/1950 Greenwood et al. .... D14/239  
2,850,110 A \* 9/1958 Benjamin ..... 181/289

2,942,254 A \* 6/1960 Beers ..... 348/834  
2,977,412 A \* 3/1961 Rhodes et al. .... 348/823  
3,012,461 A \* 12/1961 McCall ..... 359/887  
3,561,850 A \* 2/1971 Shaffer ..... 359/891  
3,646,266 A \* 2/1972 Hassell ..... 348/832  
D267,352 S \* 12/1982 Suzuki ..... D26/118  
5,755,504 A \* 5/1998 Matsunaga ..... 359/443  
D405,906 S \* 2/1999 Herst et al. .... D26/76  
6,807,760 B1 \* 10/2004 Spodek et al. .... 40/453

\* cited by examiner

*Primary Examiner*—Raphael Barkai

(57) **CLAIM**

The ornamental design for television cover with slits, as shown and described.

**DESCRIPTION**

FIG. 1 is a front perspective view of a television cover with slits showing my new design, the broken lines are for illustrative purposes only and form no part of the claimed design; and,

FIG. 2 is a front elevational view thereof.

**1 Claim, 2 Drawing Sheets**

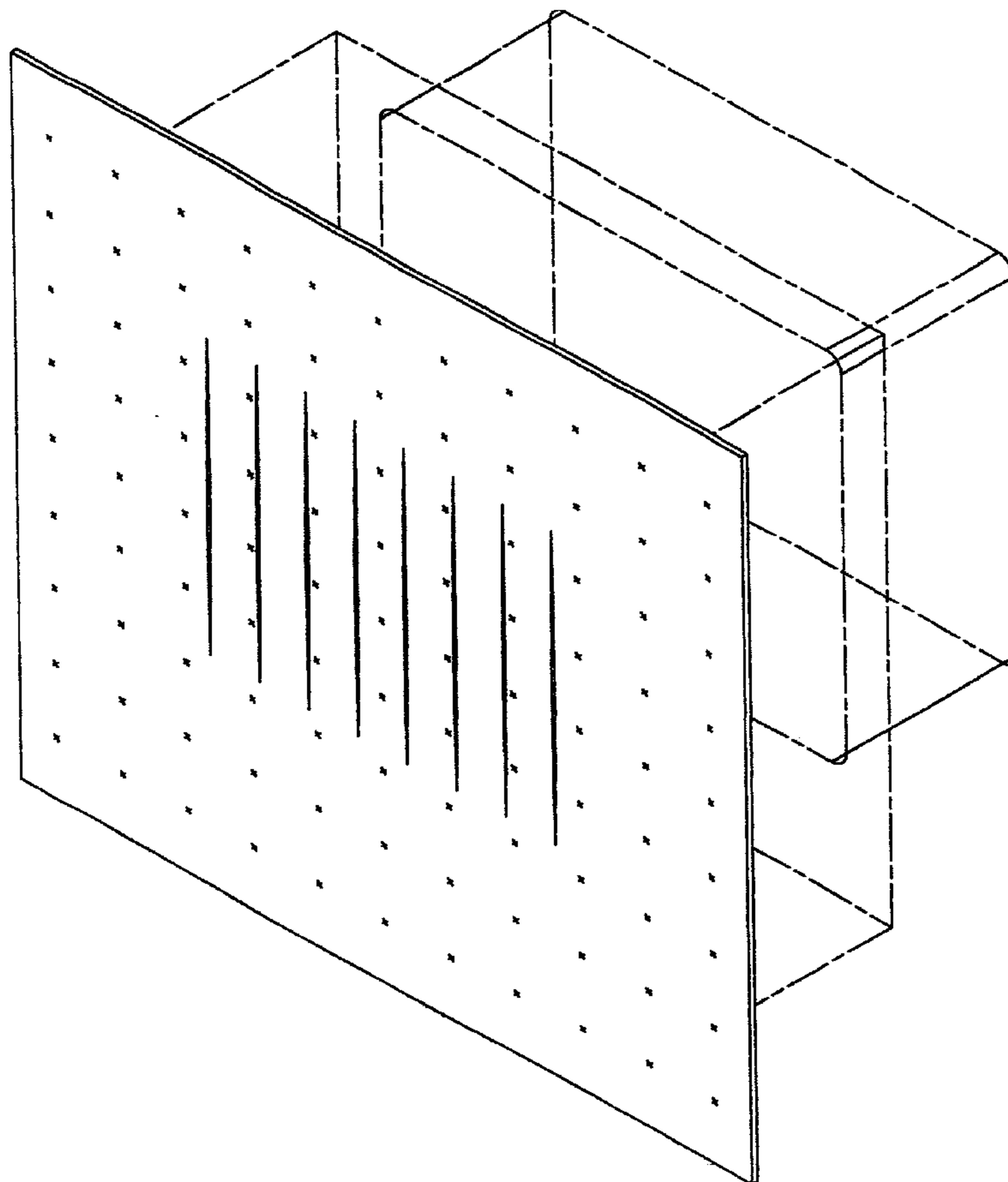


FIG. 1

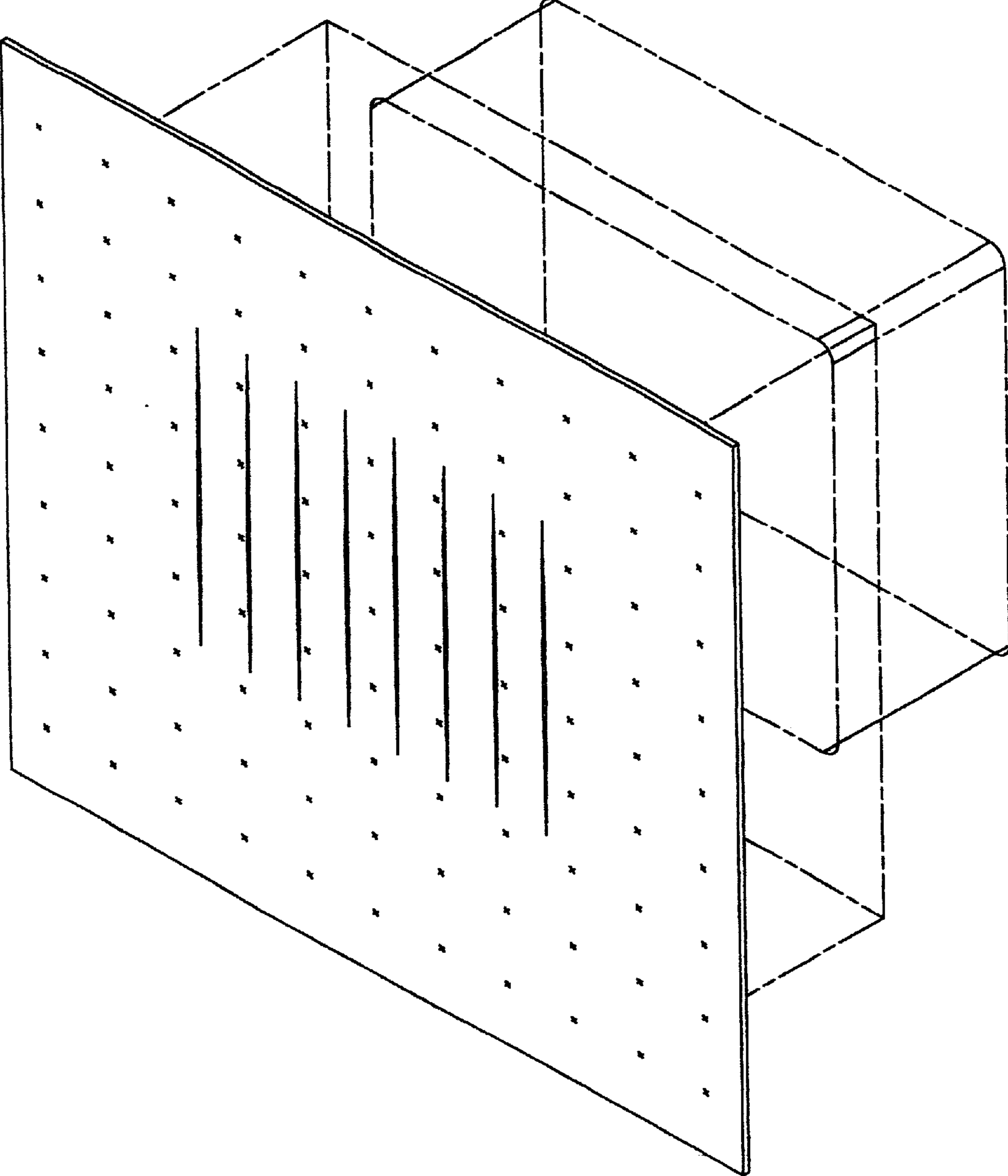


FIG. 2

