



US00D532412S

(12) **United States Design Patent** (10) **Patent No.:** **US D532,412 S**
Yang (45) **Date of Patent:** **** Nov. 21, 2006**

(54) **ANTENNA**

(75) Inventor: **Sheng-Hsung Yang**, Hsinchu County (TW)

(73) Assignee: **SmartAnt Telecom Co., Ltd.**, Hsinchu (TW)

(**) Term: **14 Years**

(21) Appl. No.: **29/209,864**

(22) Filed: **Jul. 22, 2004**

(51) **LOC (8) Cl.** **14-03**

(52) **U.S. Cl.** **D14/234; D14/238**

(58) **Field of Classification Search** D14/137, D14/138, 230-238, 299, 358; D12/42, 43; 343/700 R-705, 871-908, 795, 840, 711-713, 343/819, 846; 455/90.2, 90.3, 91, 128, 269, 455/344, 347, 562.1

See application file for complete search history.

(56) **References Cited**

U.S. PATENT DOCUMENTS

D112,288 S	*	11/1938	Martin	D14/234
D294,026 S	*	2/1988	Shinkawa	D14/230
D321,884 S	*	11/1991	Barrett	D14/234
5,111,212 A	*	5/1992	DeSatnick et al.	343/709
D394,201 S	*	5/1998	Newell et al.	D8/356

* cited by examiner

Primary Examiner—Louis S. Zarfes
Assistant Examiner—John Windmuller

(74) *Attorney, Agent, or Firm*—Apex Juris, pllc; Terry M. Heims

(57) **CLAIM**

The ornamental design for a antenna, as shown and described.

DESCRIPTION

FIG. 1 is a perspective view of an antenna showing my new design;

FIG. 2 is a front elevational view thereof;

FIG. 3 is a rear elevational view thereof;

FIG. 4 is a left side elevational view thereof;

FIG. 5 is a right side elevational view thereof;

FIG. 6 is a top plan view thereof;

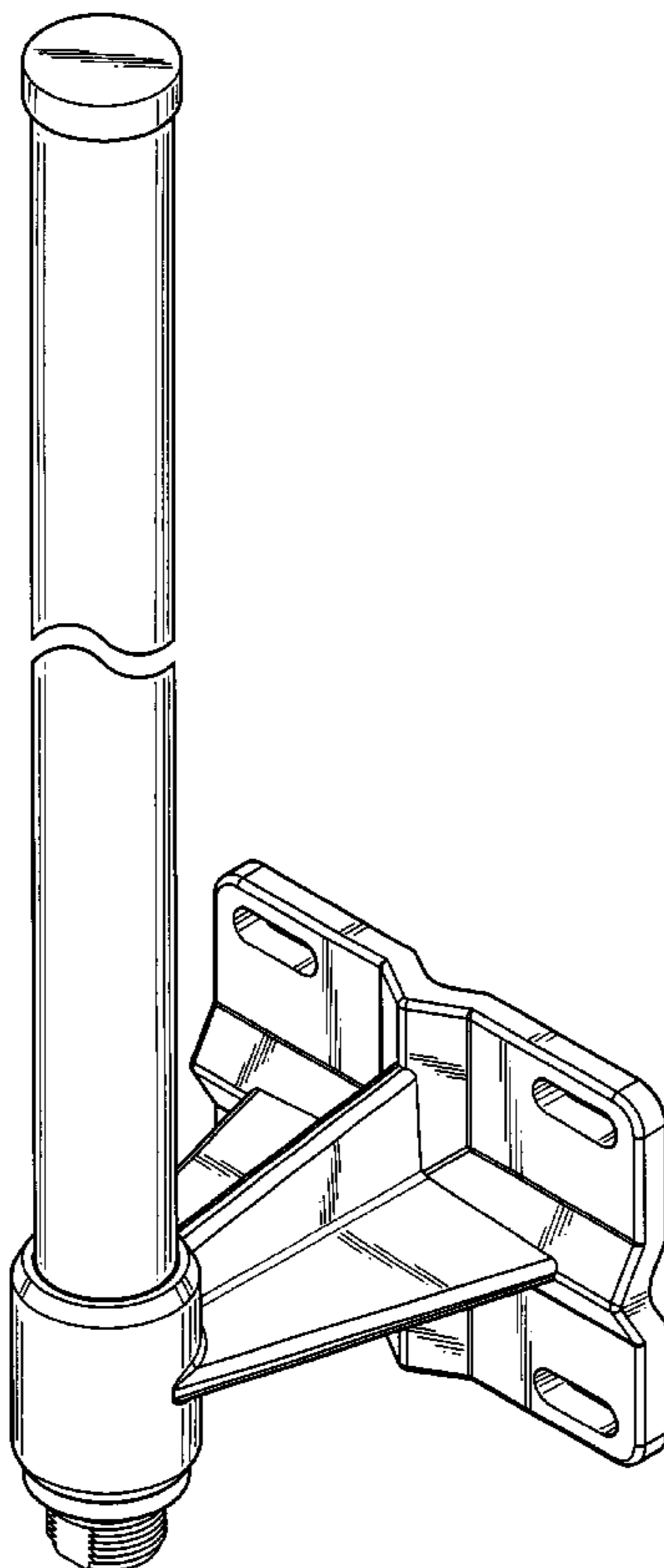
FIG. 7 is a bottom plan view thereof;

FIG. 8 is a perspective view thereof showing a pipe and mounting hardware; and,

FIG. 9 is a perspective view thereof showing alternate mounting hardware.

The broken line showing of a pipe and mounting hardware in FIGS. 8 and 9 is for illustrative purposes only and forms no part of the claimed design.

1 Claim, 6 Drawing Sheets



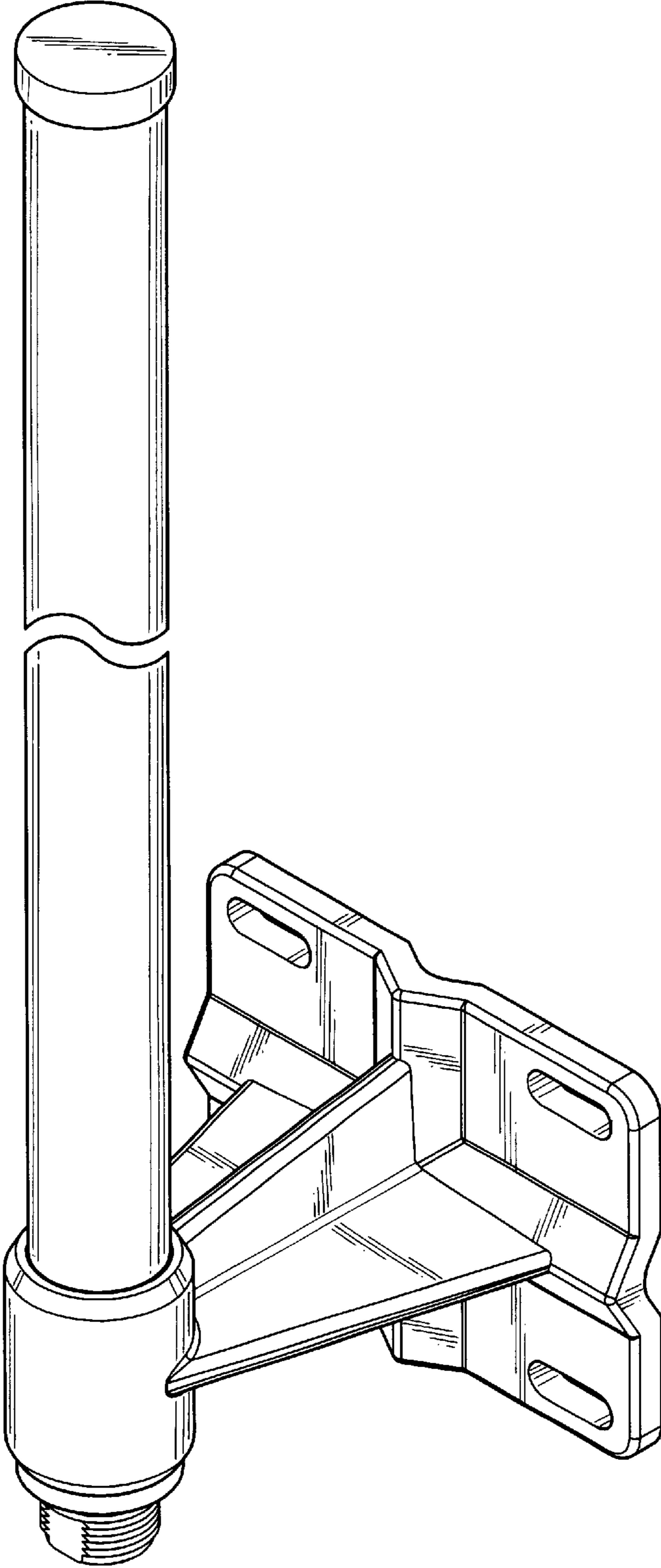


FIG. 1

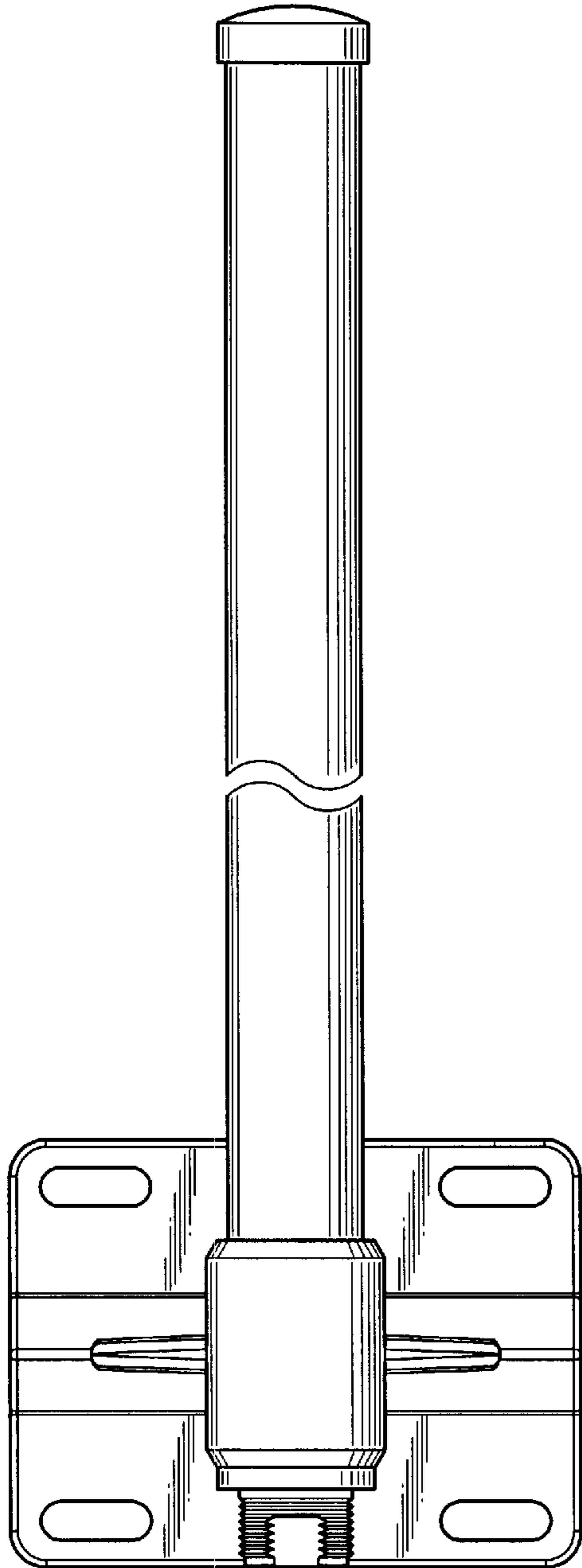


FIG. 2

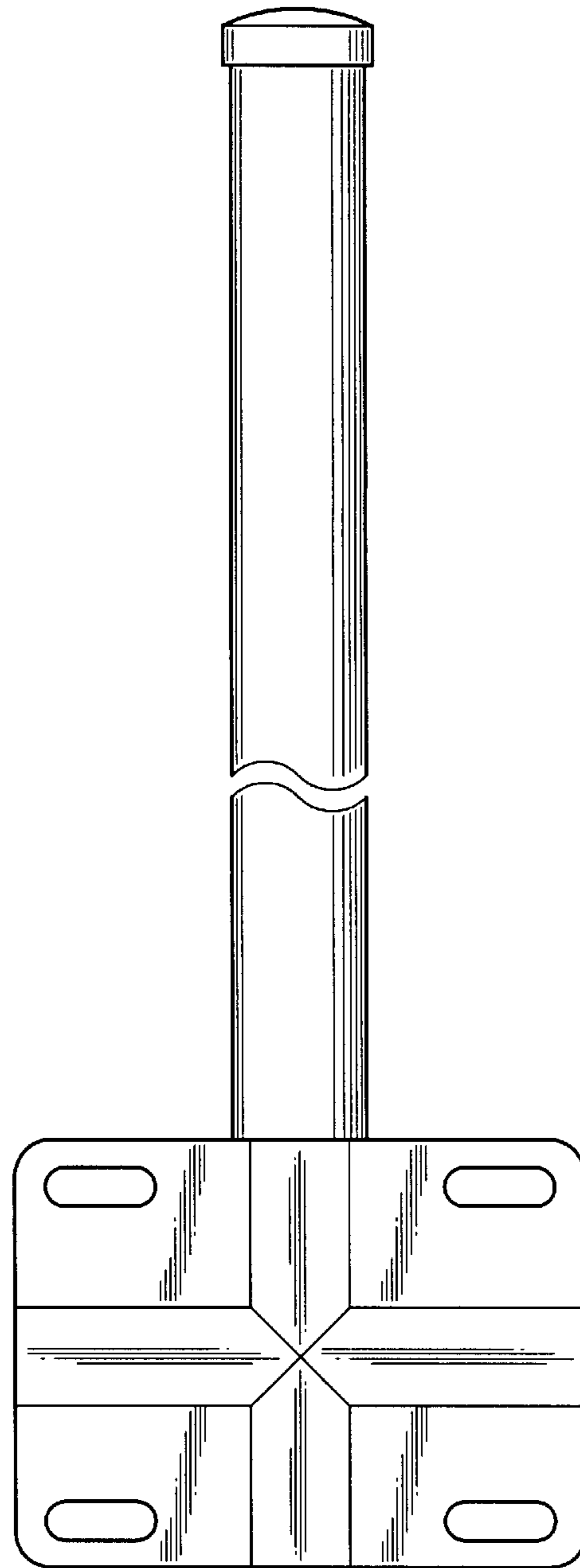


FIG. 3

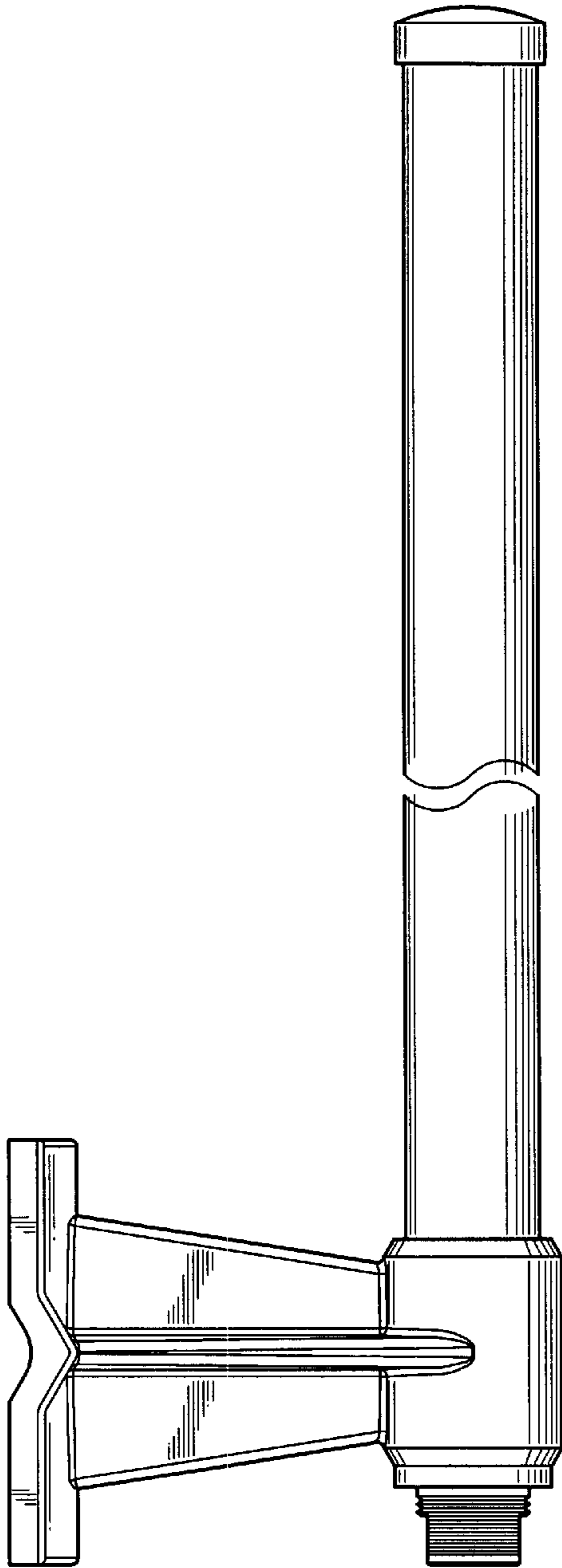


FIG. 4

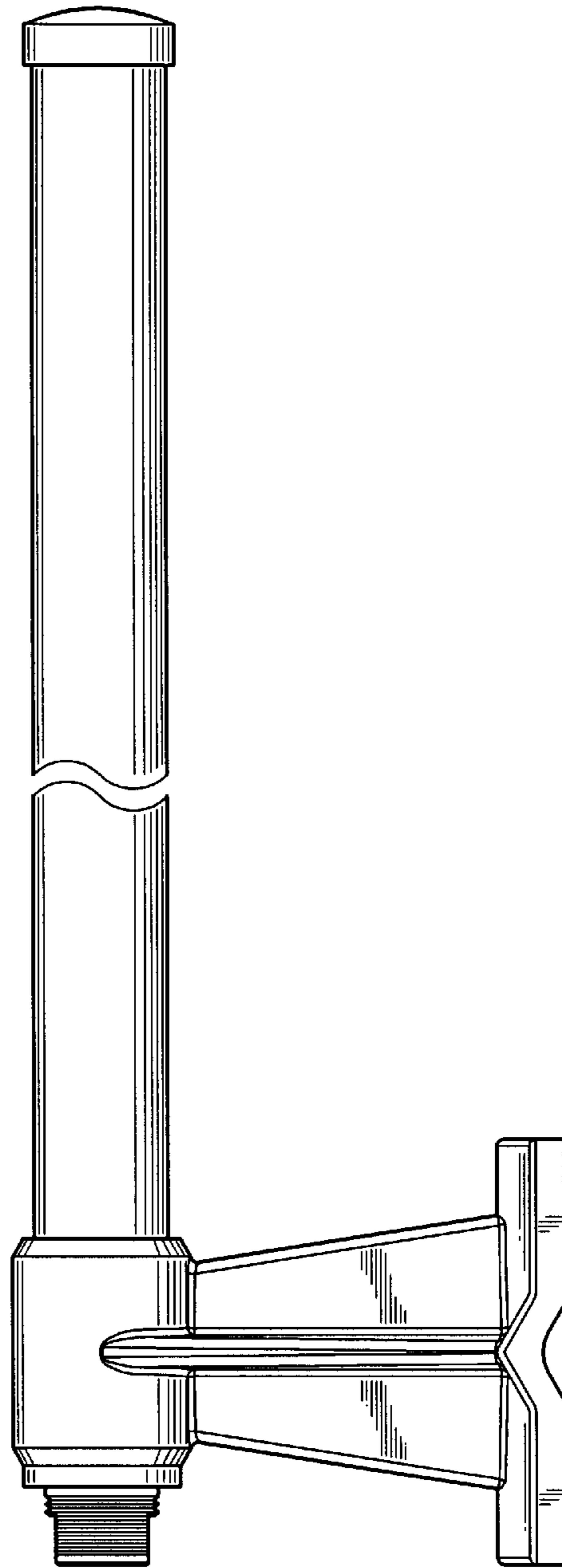


FIG. 5

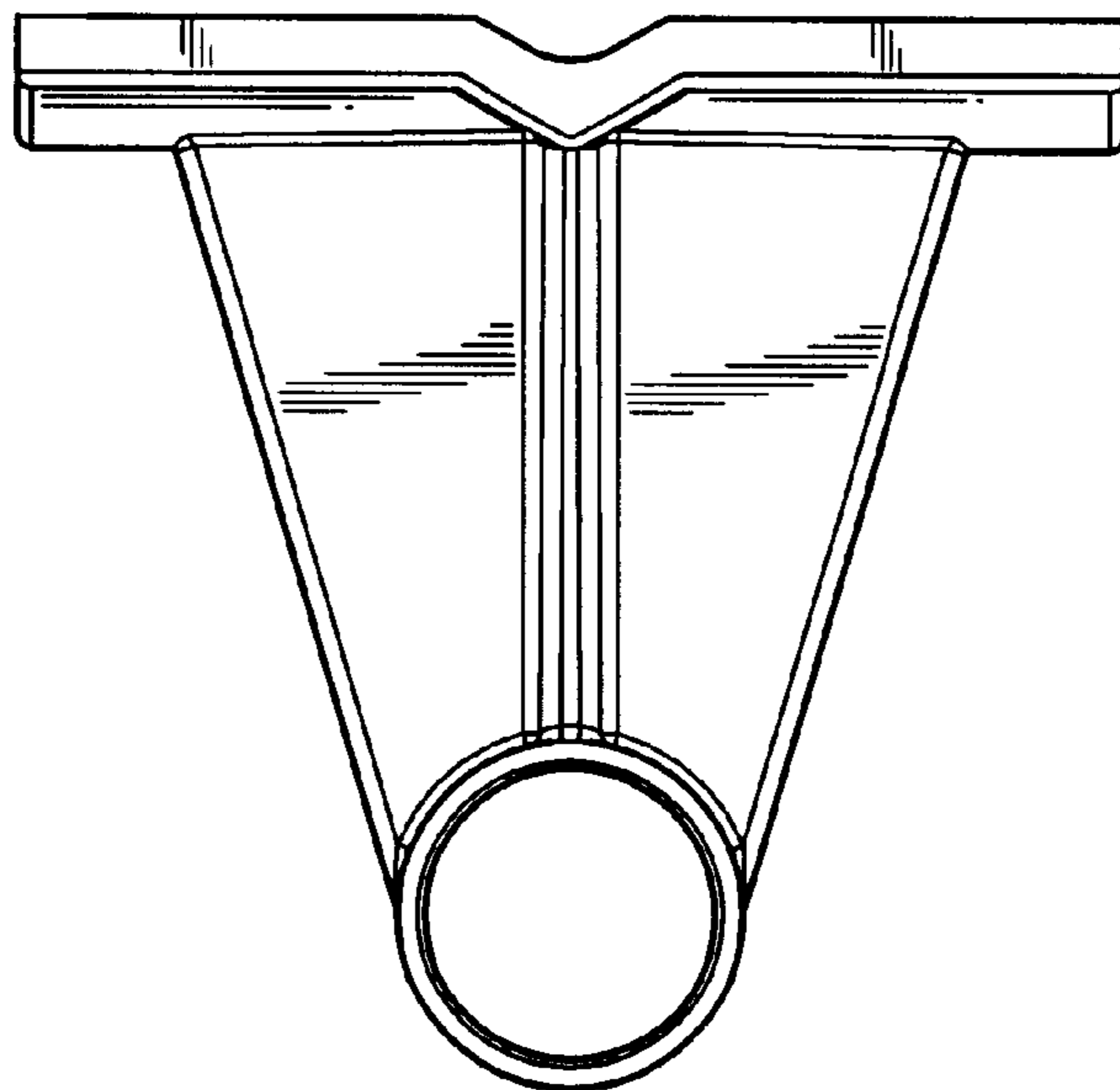


FIG. 6

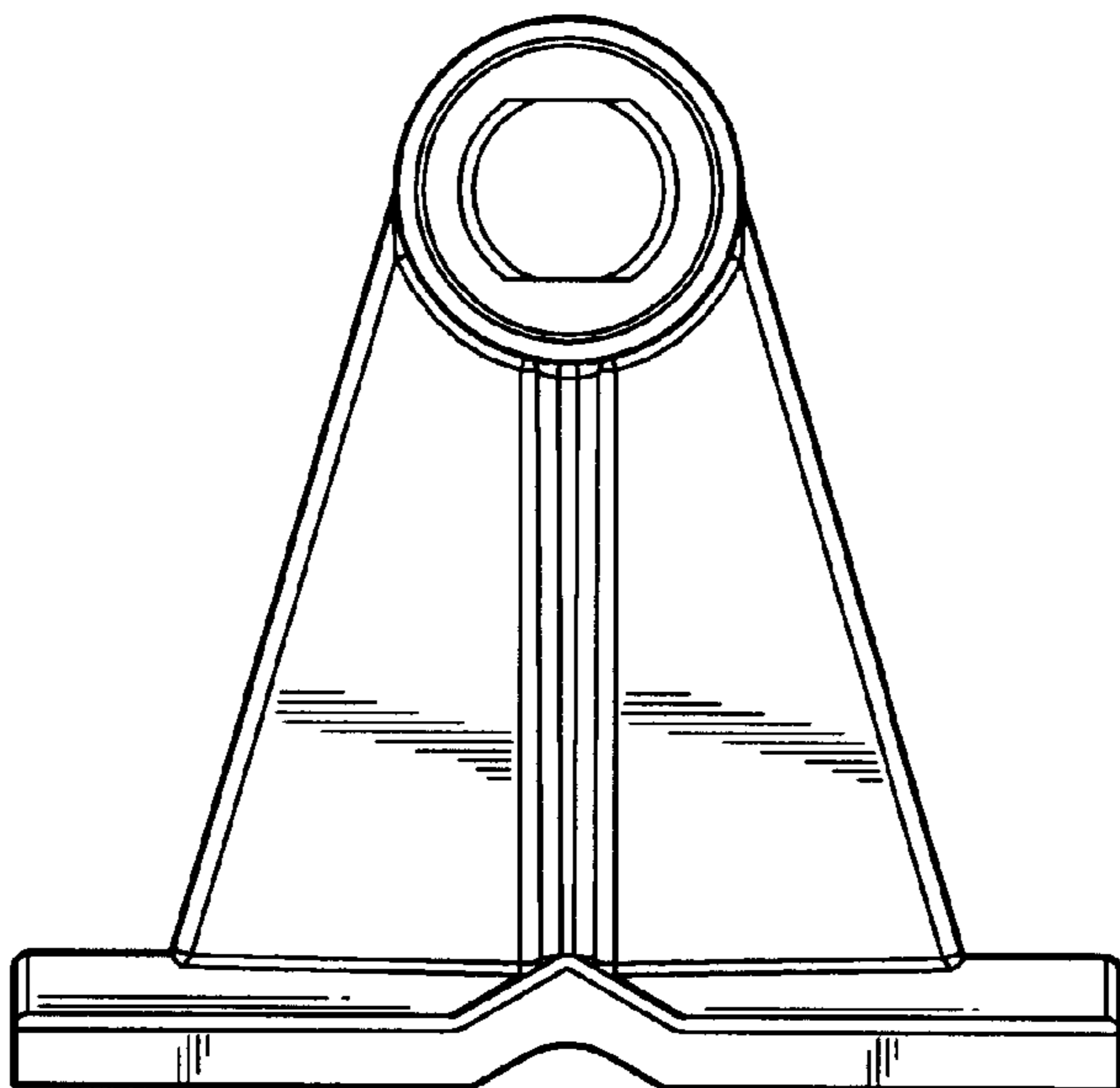


FIG. 7

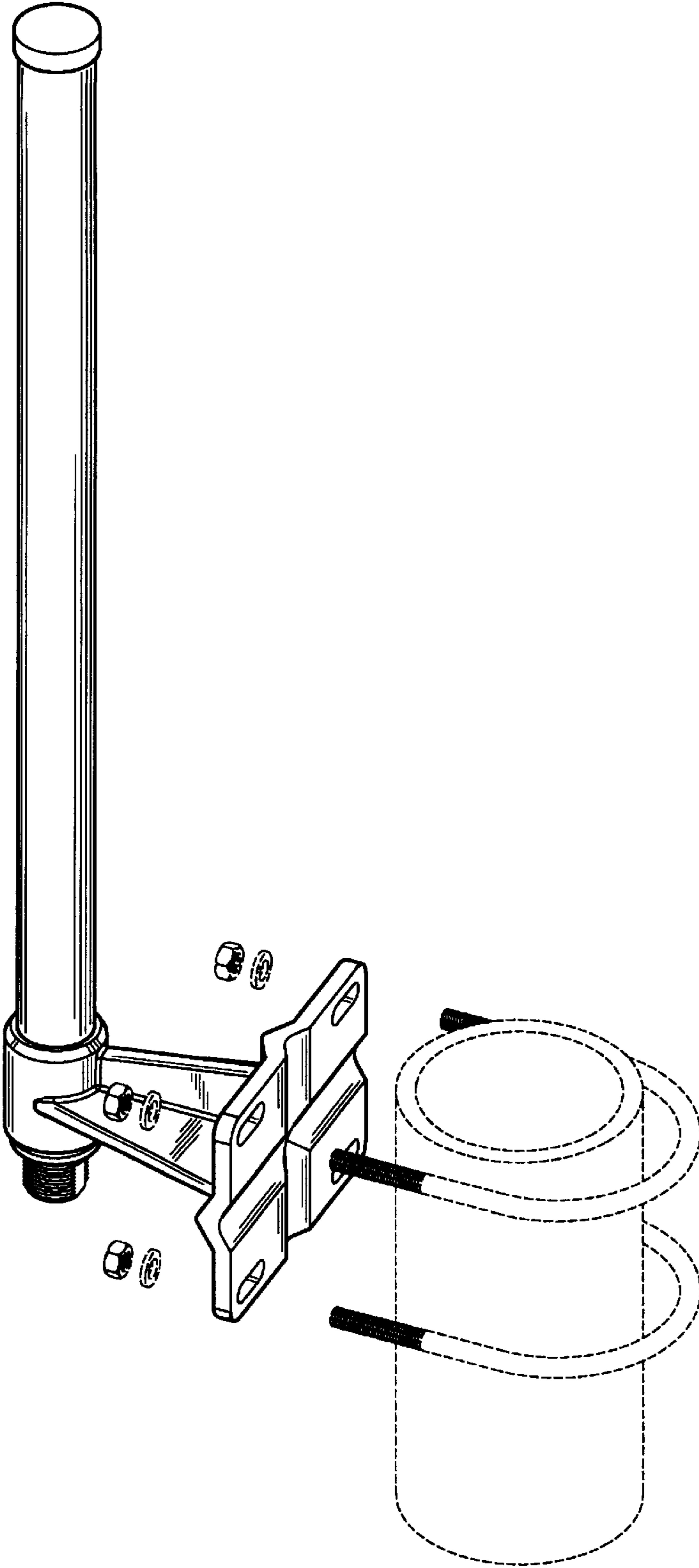


FIG. 8

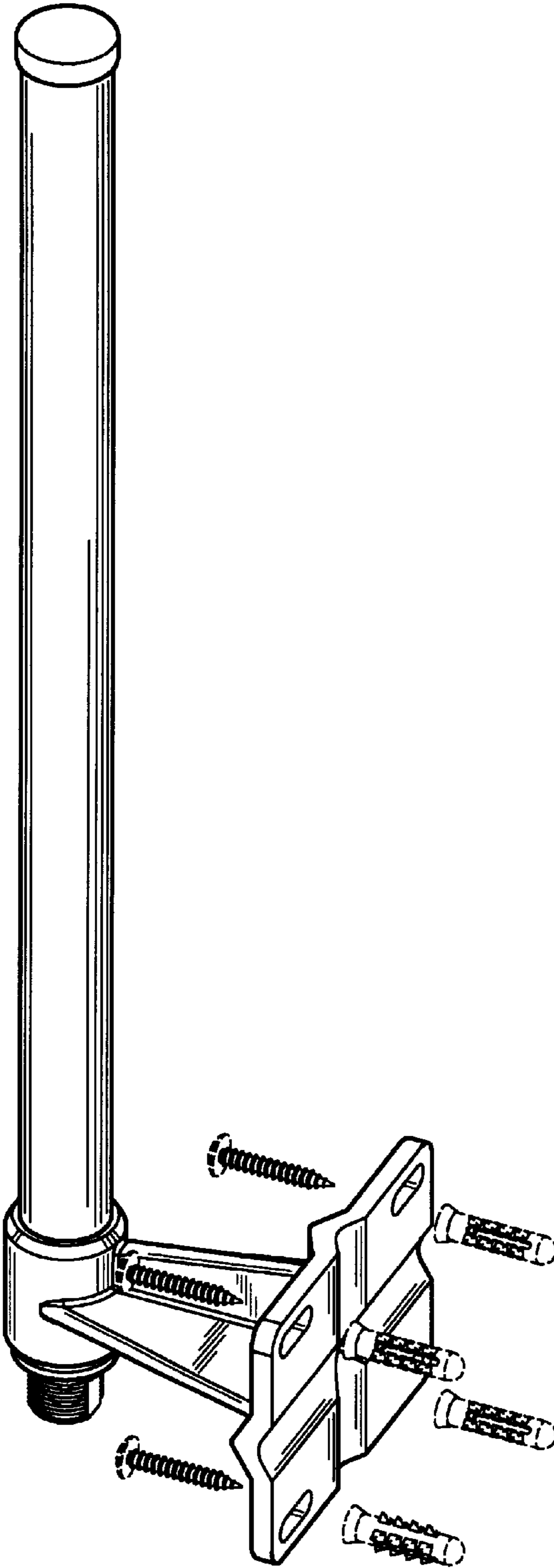


FIG. 9