



US00D532404S

(12) **United States Design Patent**  
**Lee**

(10) **Patent No.:** **US D532,404 S**  
(45) **Date of Patent:** **\*\* Nov. 21, 2006**

- (54) **PORTABLE CD PLAYER**
- (75) Inventor: **Johann Lee**, Maspeth, NY (US)
- (73) Assignee: **Coby Electronics Corporation**,  
Maspeth, NY (US)
- (\*\*) Term: **14 Years**
- (21) Appl. No.: **29/233,861**
- (22) Filed: **Jul. 12, 2005**
- (51) **LOC (8) Cl.** ..... **14-01**
- (52) **U.S. Cl.** ..... **D14/156**
- (58) **Field of Classification Search** ..... D14/135-136,  
D14/156, 167-168, 192, 217, 445, 496; 360/99.02,  
360/99.07; 369/75.11, 75.21, 77.21, 77.11;  
720/612, 619, 647, 655; 455/344, 347-351  
See application file for complete search history.

D456,383 S	4/2002	Chen	
D458,245 S	6/2002	Masude	
D463,396 S	9/2002	Beraut et al.	
D471,528 S	3/2003	Wada et al.	
D471,529 S	* 3/2003	Wada	..... D14/156
D474,757 S	5/2003	Takagi	
D475,035 S	5/2003	Takagi	
D477,820 S	7/2003	Suzuki et al.	
D481,375 S	10/2003	Suzuki	
D482,013 S	11/2003	Lee	
D489,349 S	5/2004	Lee	
D491,910 S	6/2004	Zeitman	
D492,941 S	7/2004	Komiyama	
D493,158 S	7/2004	Yang	
D499,080 S	11/2004	Matsuoka	
D504,122 S	* 4/2005	Zeitman	..... D14/156

\* cited by examiner

*Primary Examiner*—Nanda Bondade  
(74) *Attorney, Agent, or Firm*—Mayer, Brown, Rowe & Maw, LLP

(56) **References Cited**  
U.S. PATENT DOCUMENTS

D328,074 S	7/1992	Yamazaki et al.
D338,010 S	8/1993	Yamatogi
D345,162 S	3/1994	Yamatogi
D345,163 S	3/1994	Yamatogi
D348,465 S	7/1994	Yamatogi
D348,466 S	7/1994	Yamatogi
D358,389 S	5/1995	Isono
D377,021 S	12/1996	Isono
D394,062 S	5/1998	Chun
D399,206 S	10/1998	Yasutomi et al.
D404,035 S	1/1999	Delazzer
D439,574 S	3/2001	Katayama
D444,140 S	6/2001	Ishibashi
D453,015 S	1/2002	Yuyama

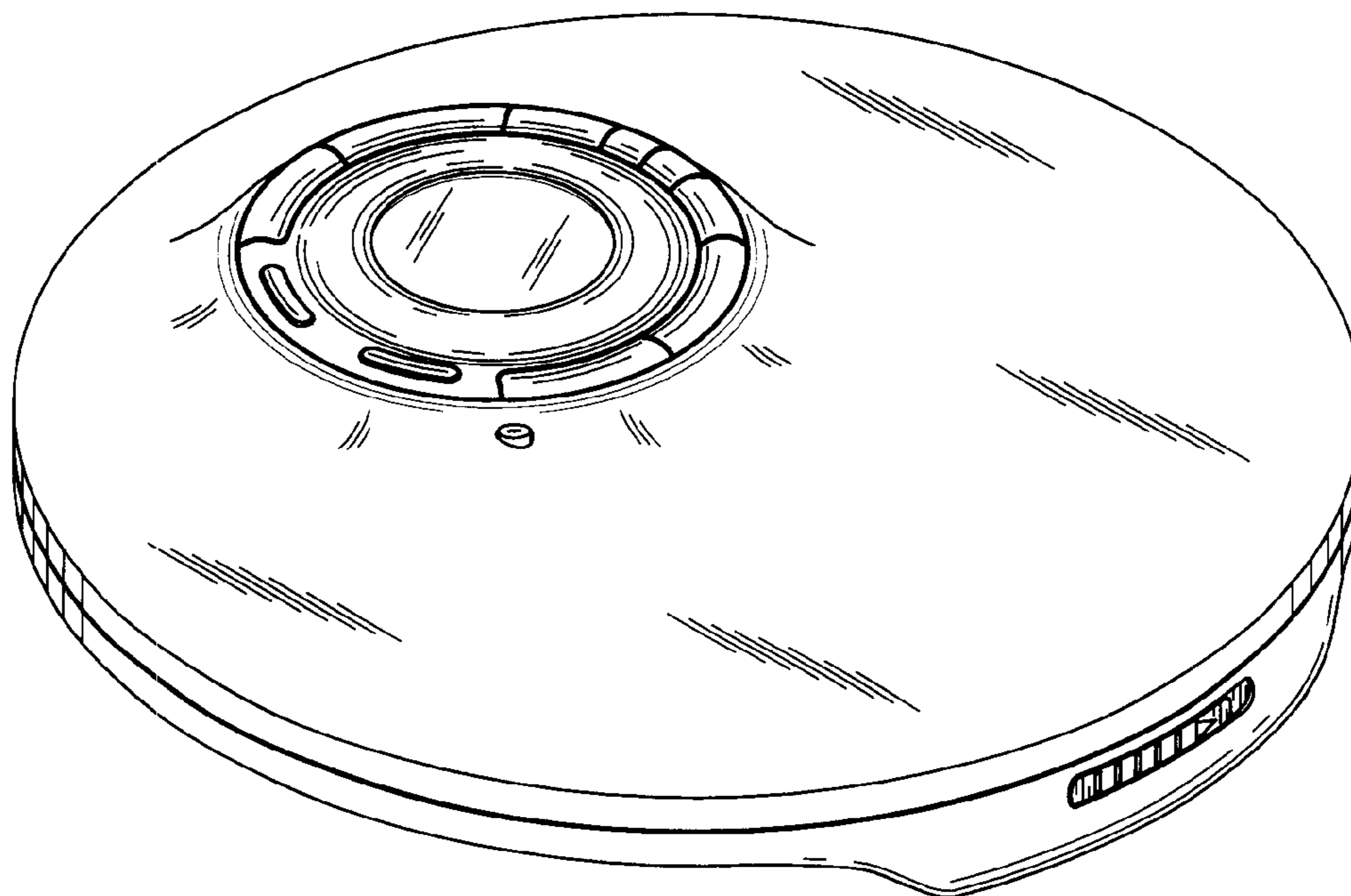
(57) **CLAIM**

The ornamental design for a portable CD player, as shown and described.

**DESCRIPTION**

FIG. 1 is a perspective view of a portable CD player showing my new design;  
FIG. 2 is a front elevation view thereof;  
FIG. 3 is a rear elevation view thereof;  
FIG. 4 is a right side elevation view thereof;  
FIG. 5 is a left side elevation view thereof;  
FIG. 6 is top plan view thereof; and,  
FIG. 7 is a bottom plan view thereof.

**1 Claim, 3 Drawing Sheets**



*FIG. 1*

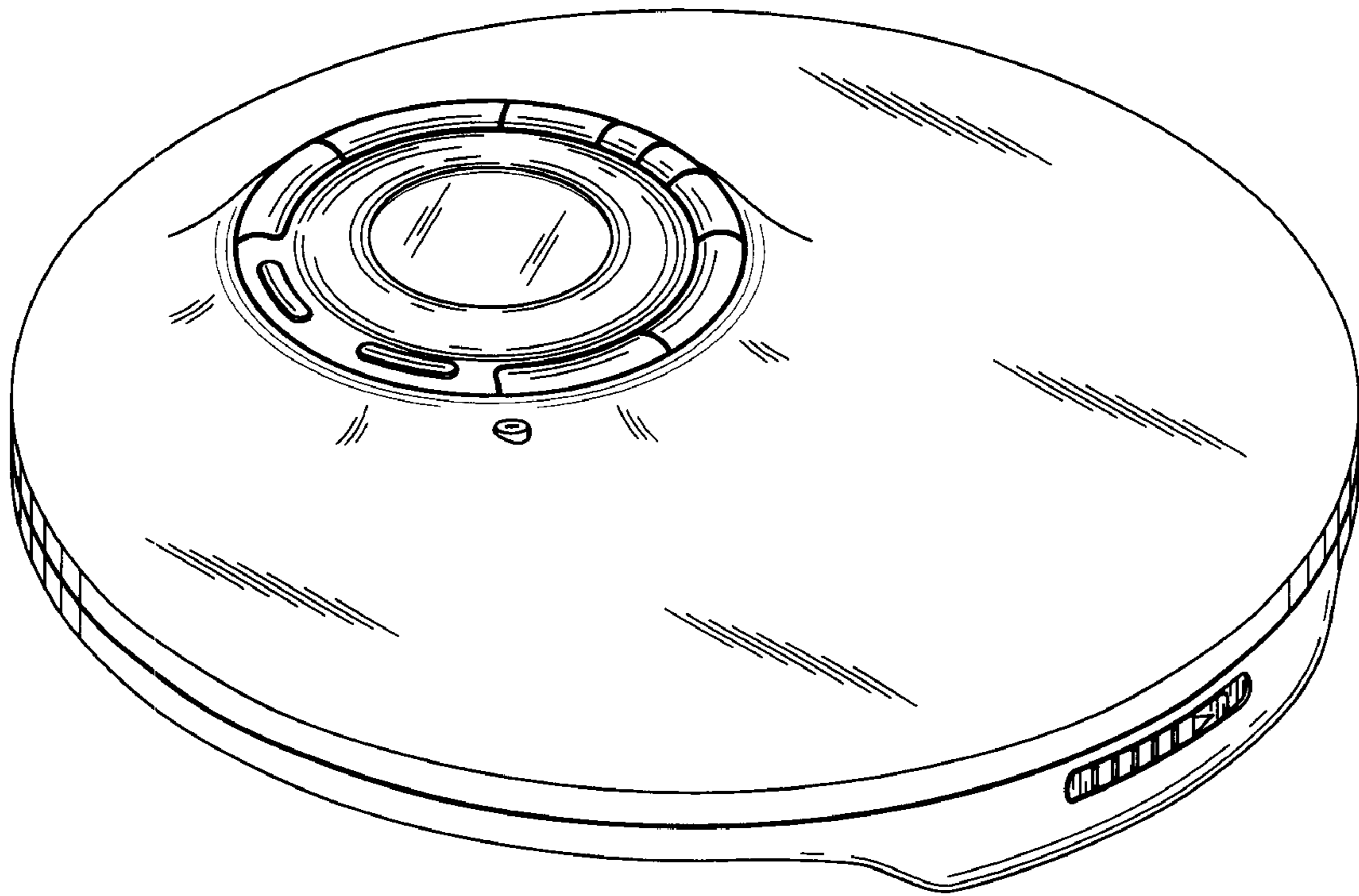


FIG. 3

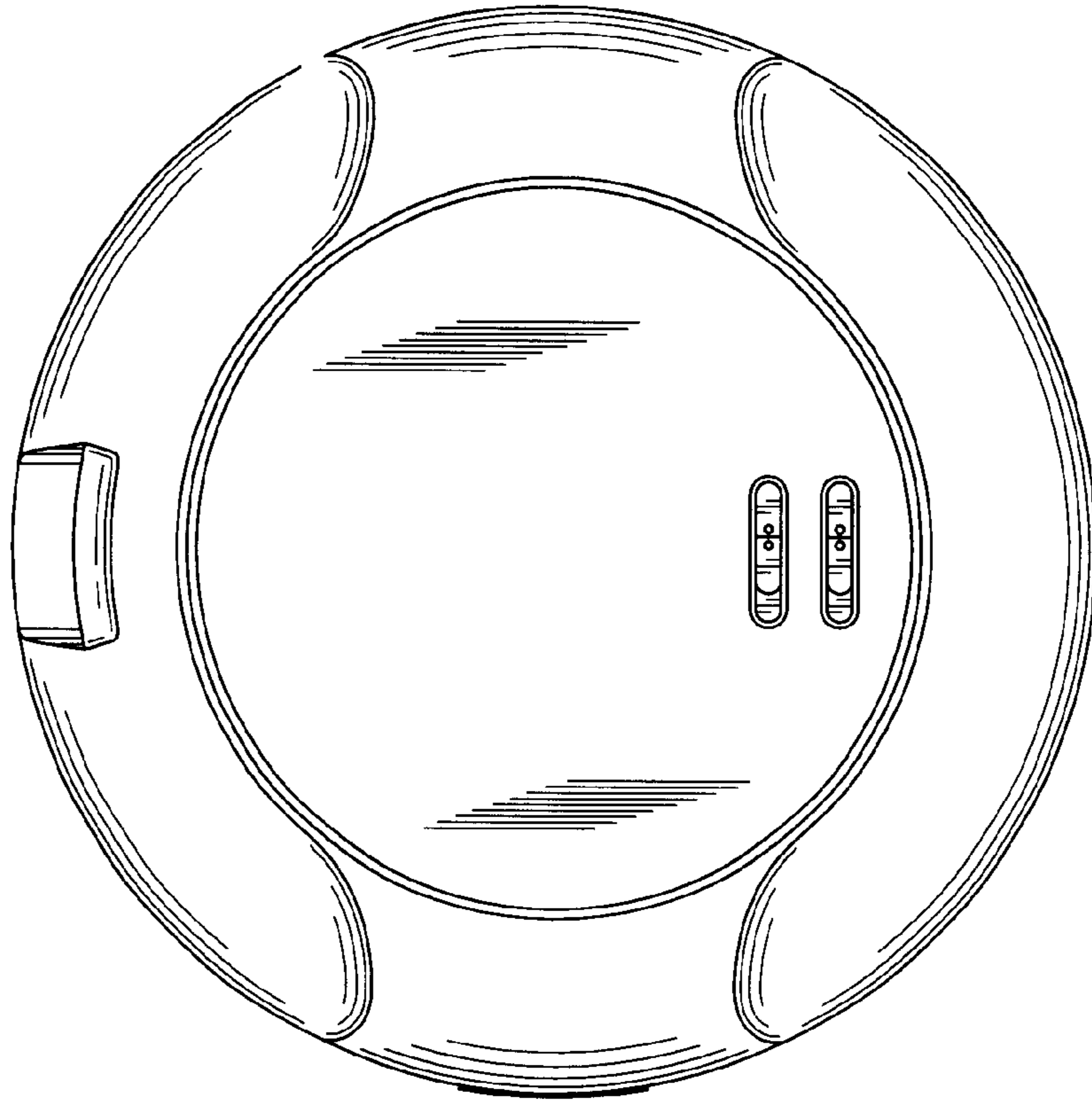
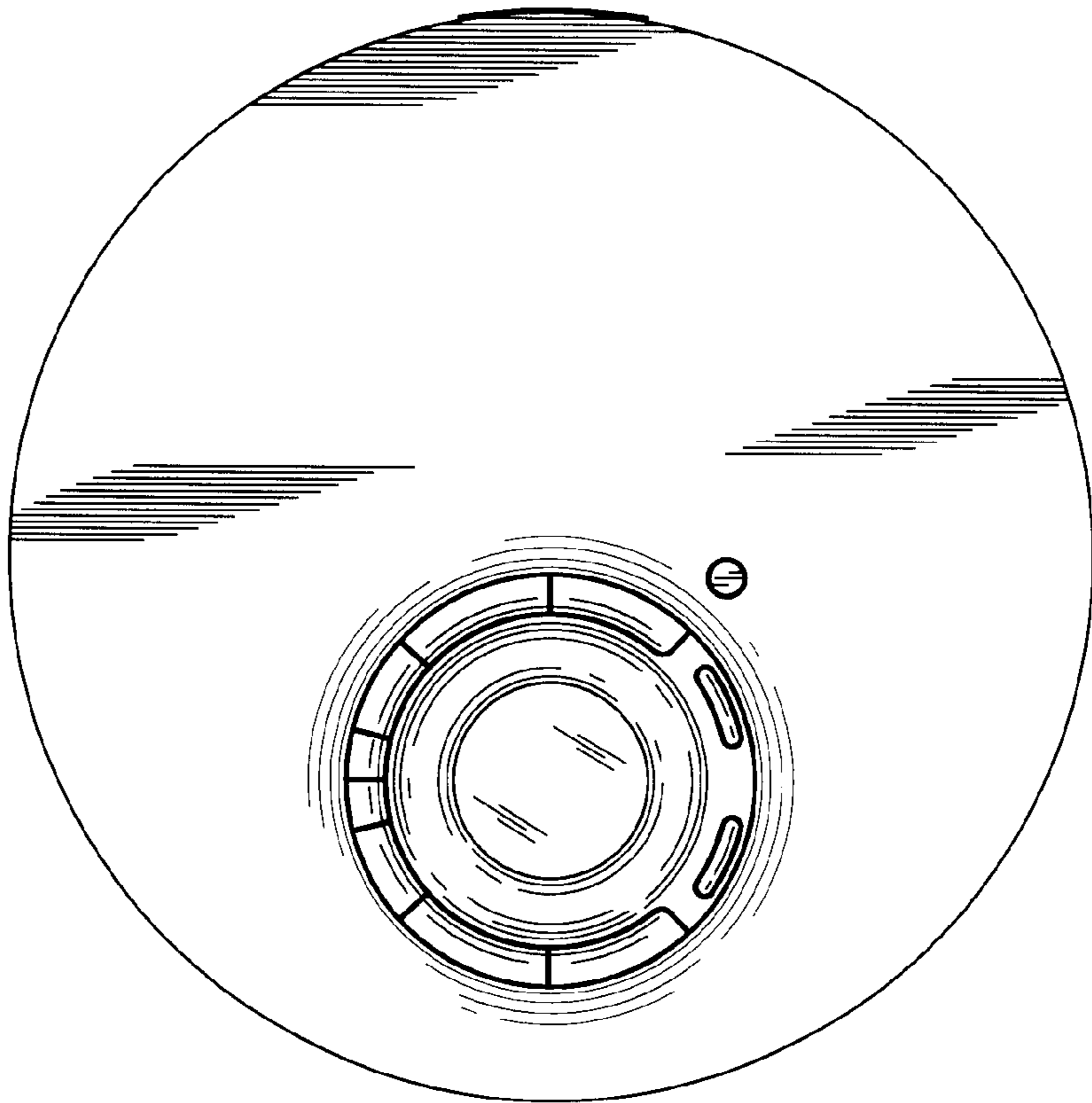
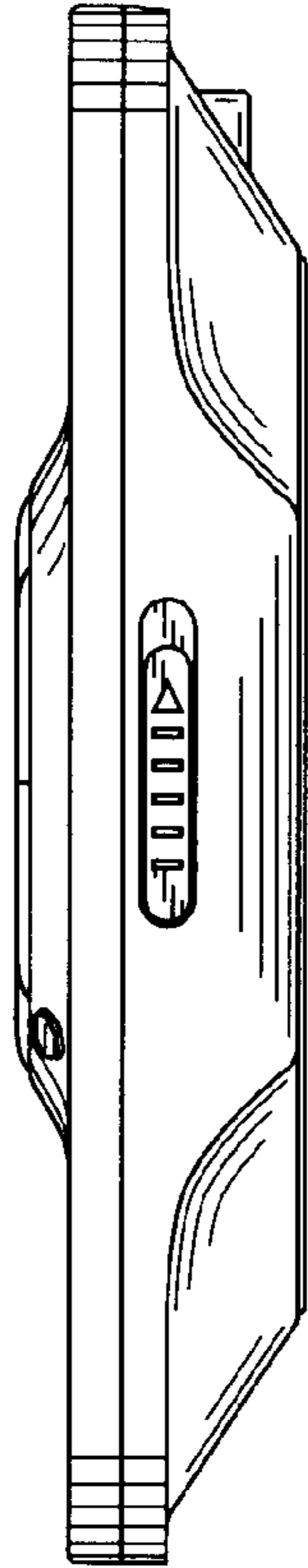


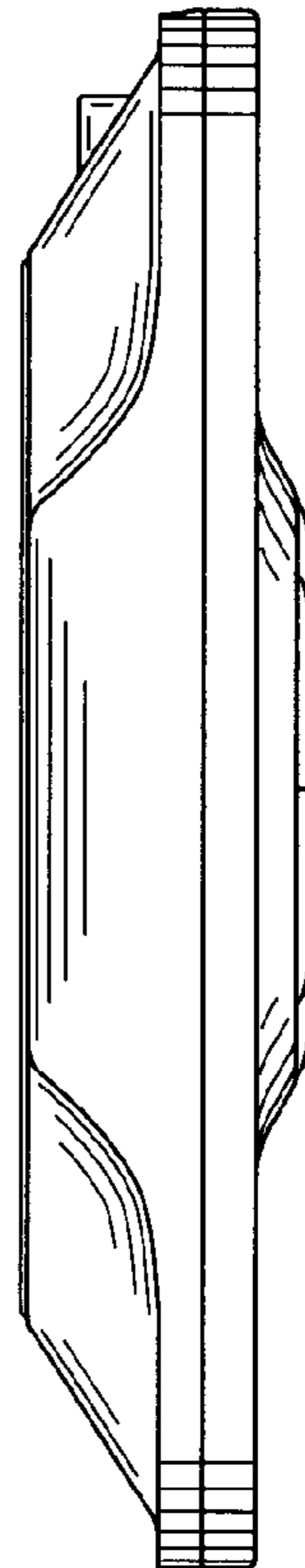
FIG. 2



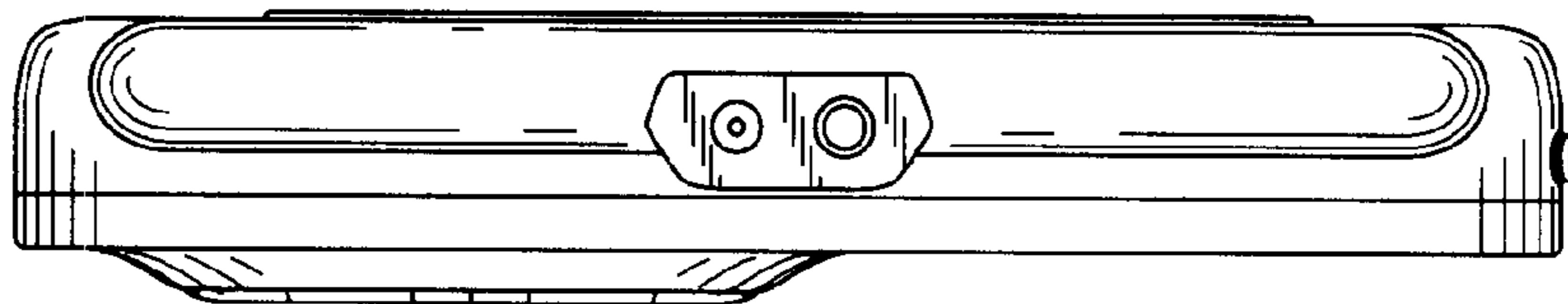
*FIG. 4*



*FIG. 5*



*FIG. 6*



*FIG. 7*

