



US00D532399S

(12) **United States Design Patent**  
**Sogabe et al.**

(10) **Patent No.:** **US D532,399 S**

(45) **Date of Patent:** **\*\* Nov. 21, 2006**

(54) **COMBINED DISPLAY AND DISC PLAYER**

(75) Inventors: **Takashi Sogabe**, Tokyo (JP); **Koji Shindo**, Tokyo (JP)

(73) Assignee: **Sony Corporation**, Tokyo (JP)

(\*\*) Term: **14 Years**

(21) Appl. No.: **29/222,345**

(22) Filed: **Jan. 31, 2005**

(51) **LOC (8) Cl.** ..... **14-01**

(52) **U.S. Cl.** ..... **D14/132; D14/129**

(58) **Field of Classification Search** ..... D14/132,  
D14/135, 136, 156, 157, 167, 168, 125, 129;  
455/347, 348, 349, 350, 351, 344, 345, 346;  
369/75.1, 75.2, 77.1, 77.2; 720/605, 600,  
720/655; 348/836, 838, 180, 184, 325, 739;  
341/12

See application file for complete search history.

(56) **References Cited**

**U.S. PATENT DOCUMENTS**

D391,251 S	*	2/1998	Yuyama et al.	.....	D14/132
D450,678 S	*	11/2001	Mizokawa et al.	.....	D14/157
D454,122 S	*	3/2002	Hori et al.	.....	D14/132
D482,014 S		11/2003	Hakoda et al.		
D482,669 S	*	11/2003	Hori et al.	.....	D14/132
D495,677 S	*	9/2004	Kawano et al.	.....	D14/157
D513,245 S	*	12/2005	Suzuki	.....	D14/157
D513,609 S	*	1/2006	Nishii et al.	.....	D14/132

**OTHER PUBLICATIONS**

Crutchfield websight, 2006, printouts of Alpine, Pioneer, Panasonic, and Eclipse In-Dash Dvd Players.\*  
Web page "XAV-7Wopen" 1 sheet, Sony (Dec. 2004).

Web page "XAV-7W" 1 sheet, Sony (Dec. 2004).

Web page "TSZ730" [http://www.addzest.com/ADDZEST\\_DYNAMIC/index.cfm?fuseaction=products.details&main...](http://www.addzest.com/ADDZEST_DYNAMIC/index.cfm?fuseaction=products.details&main...), 1 sheet, ADDZEST (Dec. 2004).

Web page "ALPINE TVE-T730" [http://www.autobacs.com/cgi-bin/inetcgi/scripts/spg\\_last\\_01.jsp?BV\\_SessionID=AAAA1134...](http://www.autobacs.com/cgi-bin/inetcgi/scripts/spg_last_01.jsp?BV_SessionID=AAAA1134...), 1 sheet, AUTOBACS.COM (Dec. 2004).

Web page "AVX-P9DV" [http://www3.pioneer.co.jp/product/product\\_info.php?product\\_no=00000163&cate\\_cd=070&op...](http://www3.pioneer.co.jp/product/product_info.php?product_no=00000163&cate_cd=070&op...), 1 sheet, Pioneer (Dec. 2004).

\* cited by examiner

*Primary Examiner*—Philip S. Hyder  
(74) *Attorney, Agent, or Firm*—Rader, Fishman & Grauer PLLC

(57) **CLAIM**

The ornamental design for a combined display and disc player, as shown.

**DESCRIPTION**

FIG. 1 is a perspective view of a television receiver our new design;

FIG. 2 is a front elevational view thereof;

FIG. 3 is a rear elevational view thereof;

FIG. 4 is a left side elevational view thereof;

FIG. 5 is a right side elevational view thereof;

FIG. 6 is a top plan view thereof; and,

FIG. 7 is a bottom plan view thereof.

**1 Claim, 5 Drawing Sheets**

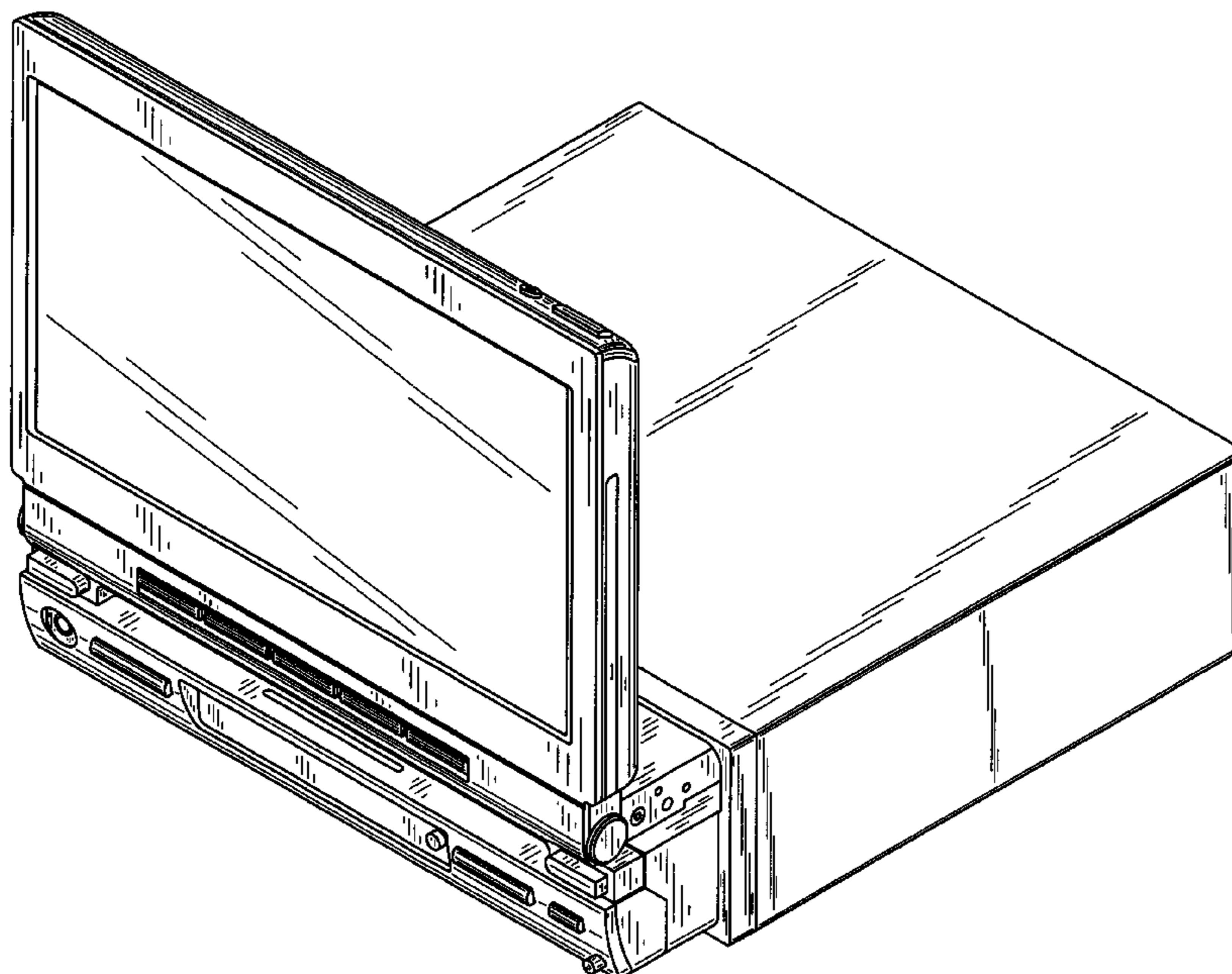


Fig.1

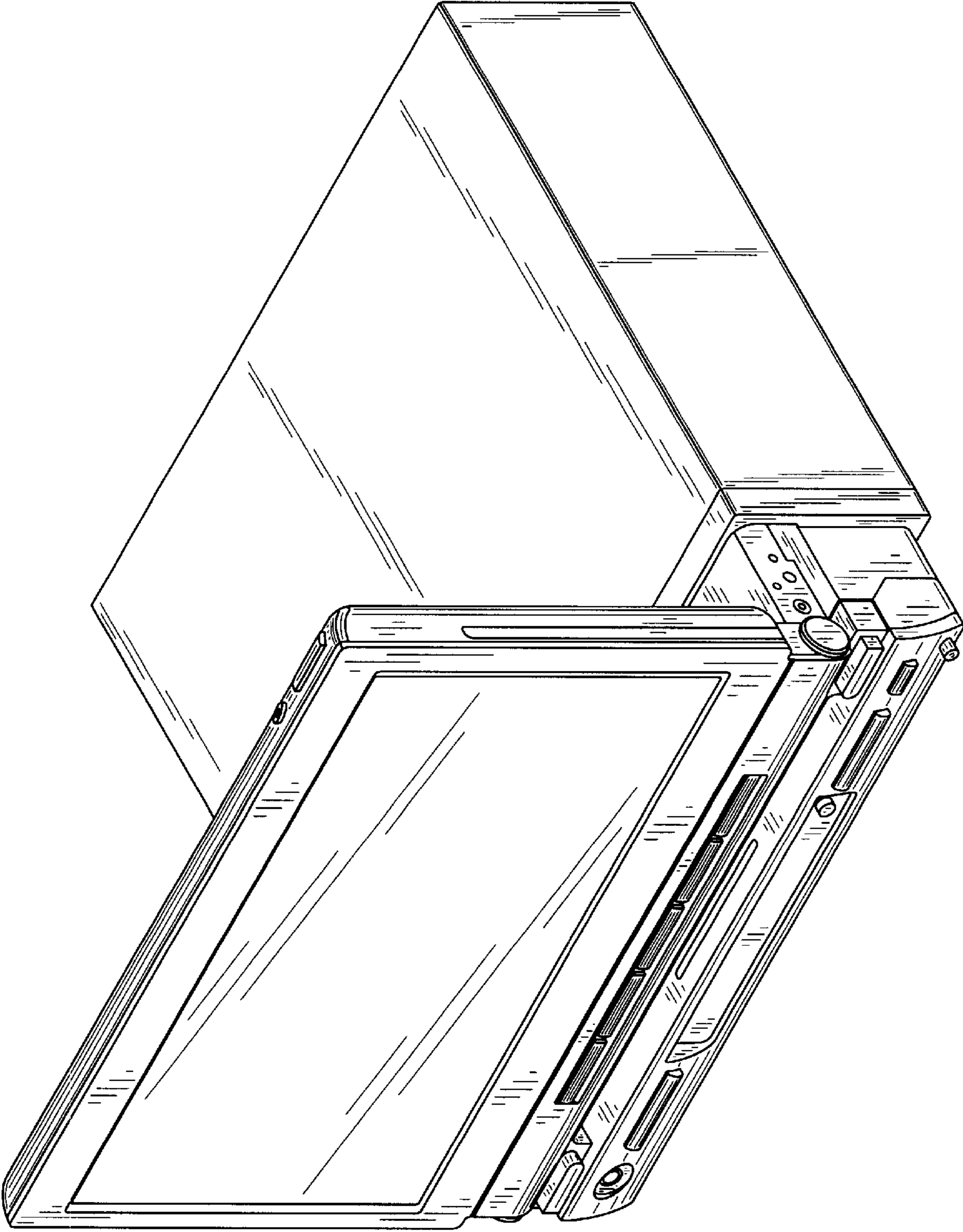


Fig.2

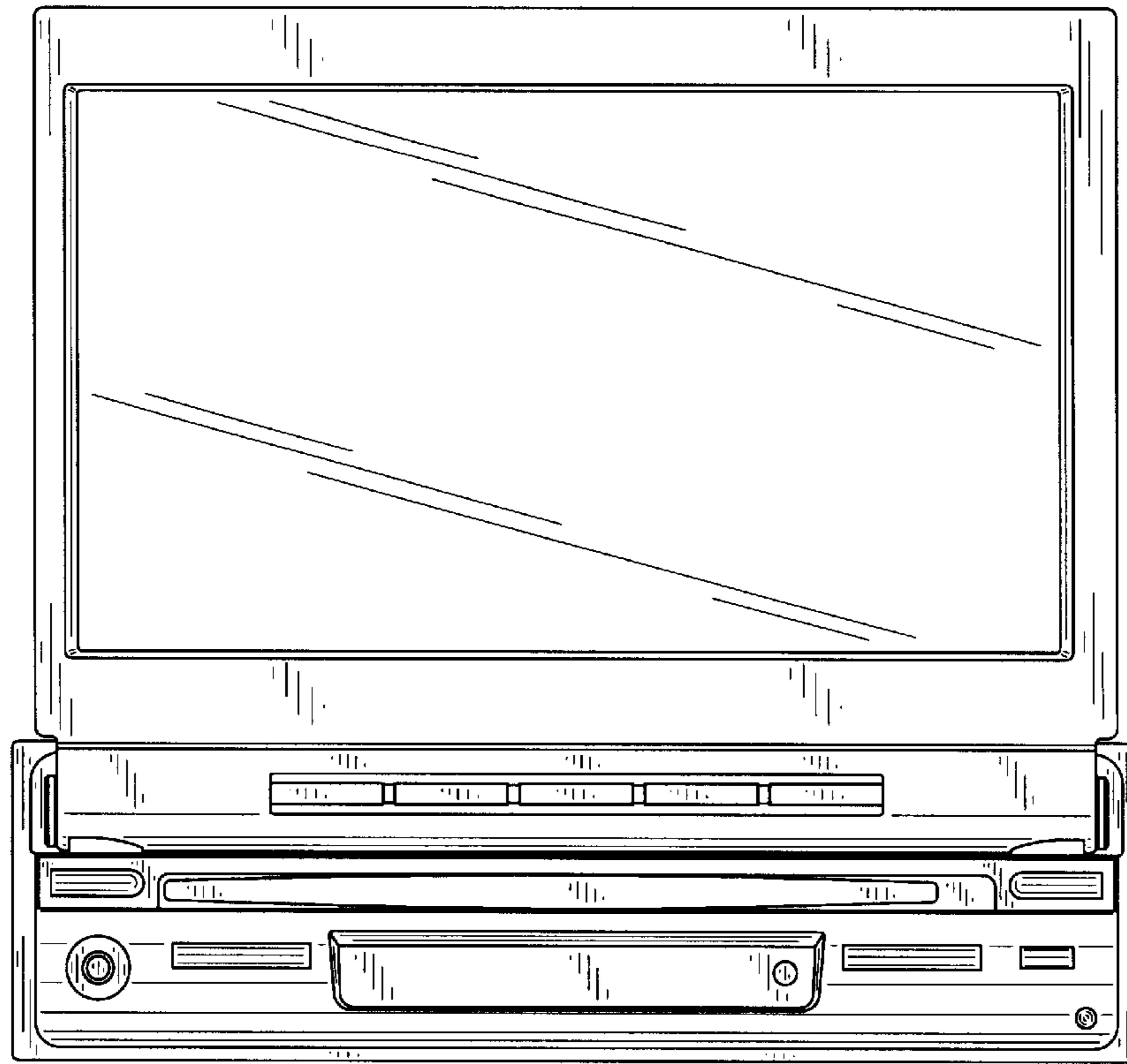


Fig.3

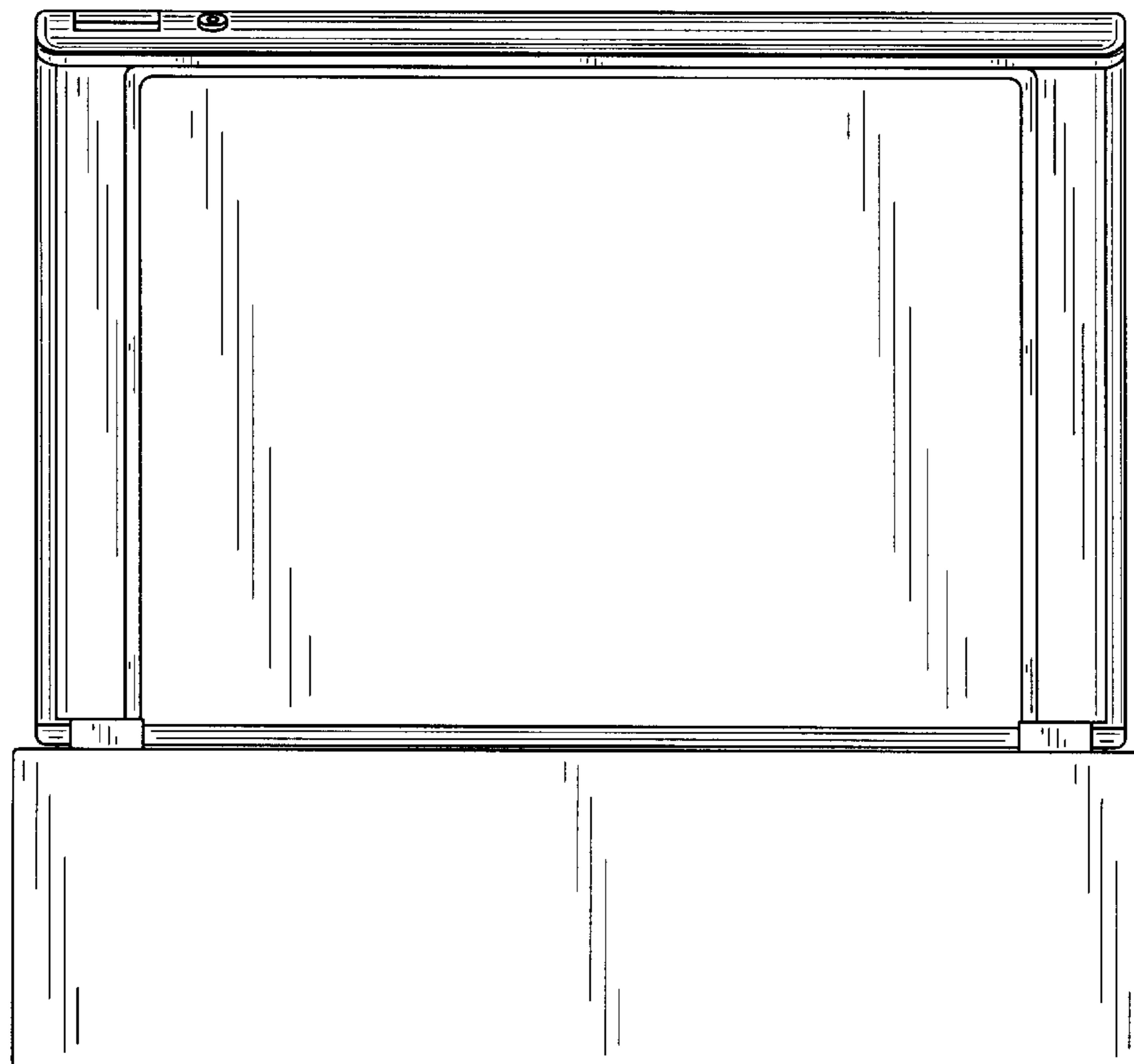


Fig.4

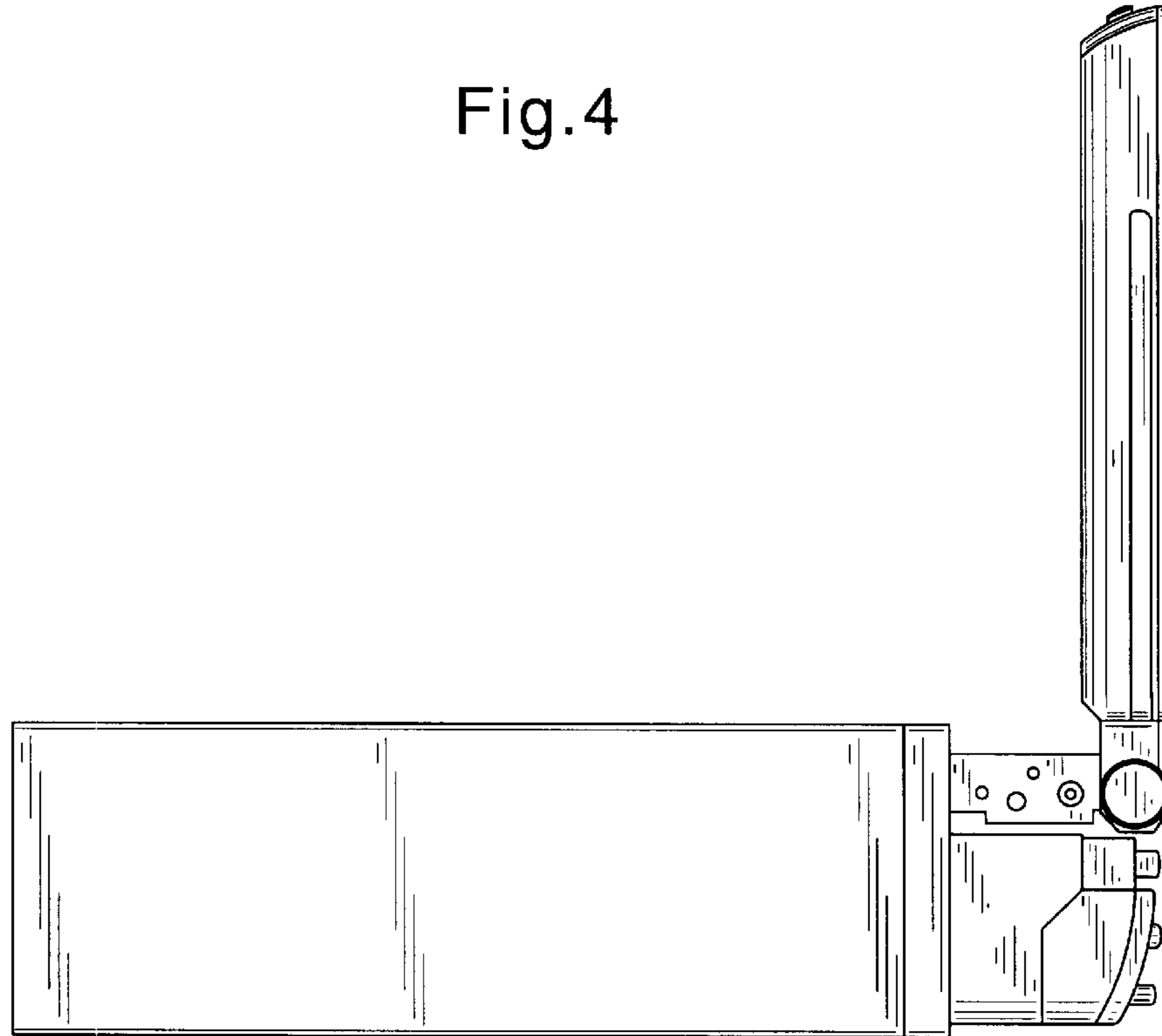


Fig.5

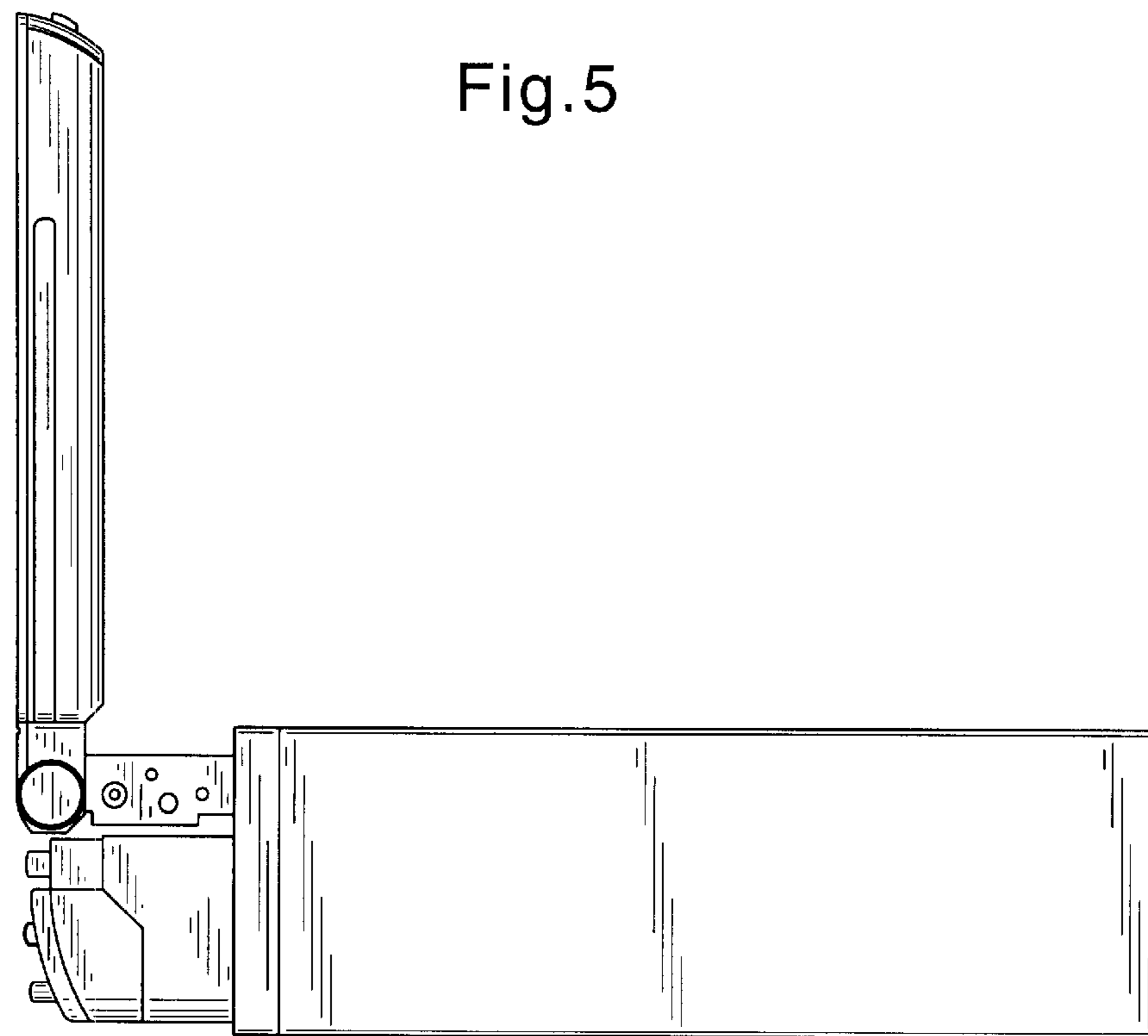


Fig.6

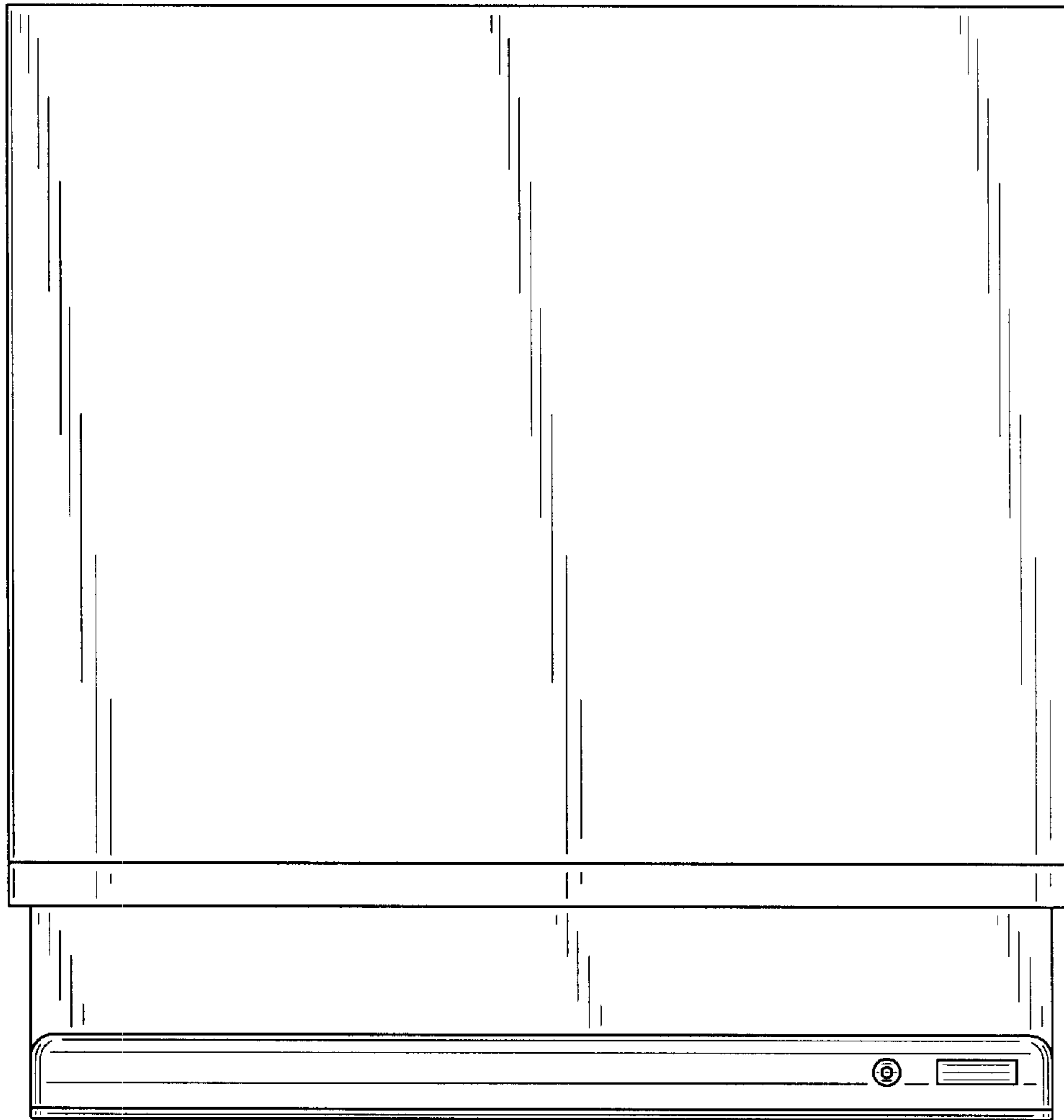


Fig.7

