



US00D532397S

(12) **United States Design Patent**  
**Lin et al.**

(10) **Patent No.:** **US D532,397 S**

(45) **Date of Patent:** **\*\* Nov. 21, 2006**

(54) **REAR PROJECTION TELEVISION**

(75) Inventors: **Yu-Ti Lin**, Taipei (TW); **Shih-Min Wu**,  
Yilan (TW); **Chi-Neng Mo**, Jhongli  
(TW)

(73) Assignee: **Chunghwa Picture Tubes, Ltd.**, Taipei  
(TW)

(\*\*) Term: **14 Years**

(21) Appl. No.: **29/226,229**

(22) Filed: **Mar. 24, 2005**

(51) **LOC (8) Cl.** ..... **14-03**

(52) **U.S. Cl.** ..... **D14/128**

(58) **Field of Classification Search** ..... D14/126,  
D14/128, 129, 374, 375, 376; 348/836, 838,  
348/180, 184, 325, 739; 341/12; 248/917-924;  
345/104, 133, 156, 168, 87, 173  
See application file for complete search history.

(56) **References Cited**

**U.S. PATENT DOCUMENTS**

D345,968 S \* 4/1994 Bruce et al. .... D14/371  
D360,203 S \* 7/1995 Bourgerie ..... D14/128  
D371,778 S \* 7/1996 Isono ..... D14/128

D442,926 S \* 5/2001 Kim et al. .... D14/126  
D472,533 S \* 4/2003 Kanatani et al. .... D14/128  
D476,966 S \* 7/2003 Onoda et al. .... D14/128  
D476,967 S \* 7/2003 Onoda et al. .... D14/128  
D484,106 S \* 12/2003 Onoda ..... D14/128  
D499,132 S \* 11/2004 Revoldini ..... D16/221  
D508,472 S \* 8/2005 Huang ..... D14/128

\* cited by examiner

*Primary Examiner*—Philip S. Hyder

(74) *Attorney, Agent, or Firm*—J.C. Patents

(57) **CLAIM**

The ornamental design for a rear projection television, as shown and described.

**DESCRIPTION**

FIG. 1 is a perspective view of a rear projection television showing the new design.

FIG. 2 is a front view thereof.

FIG. 3 is a rear view thereof.

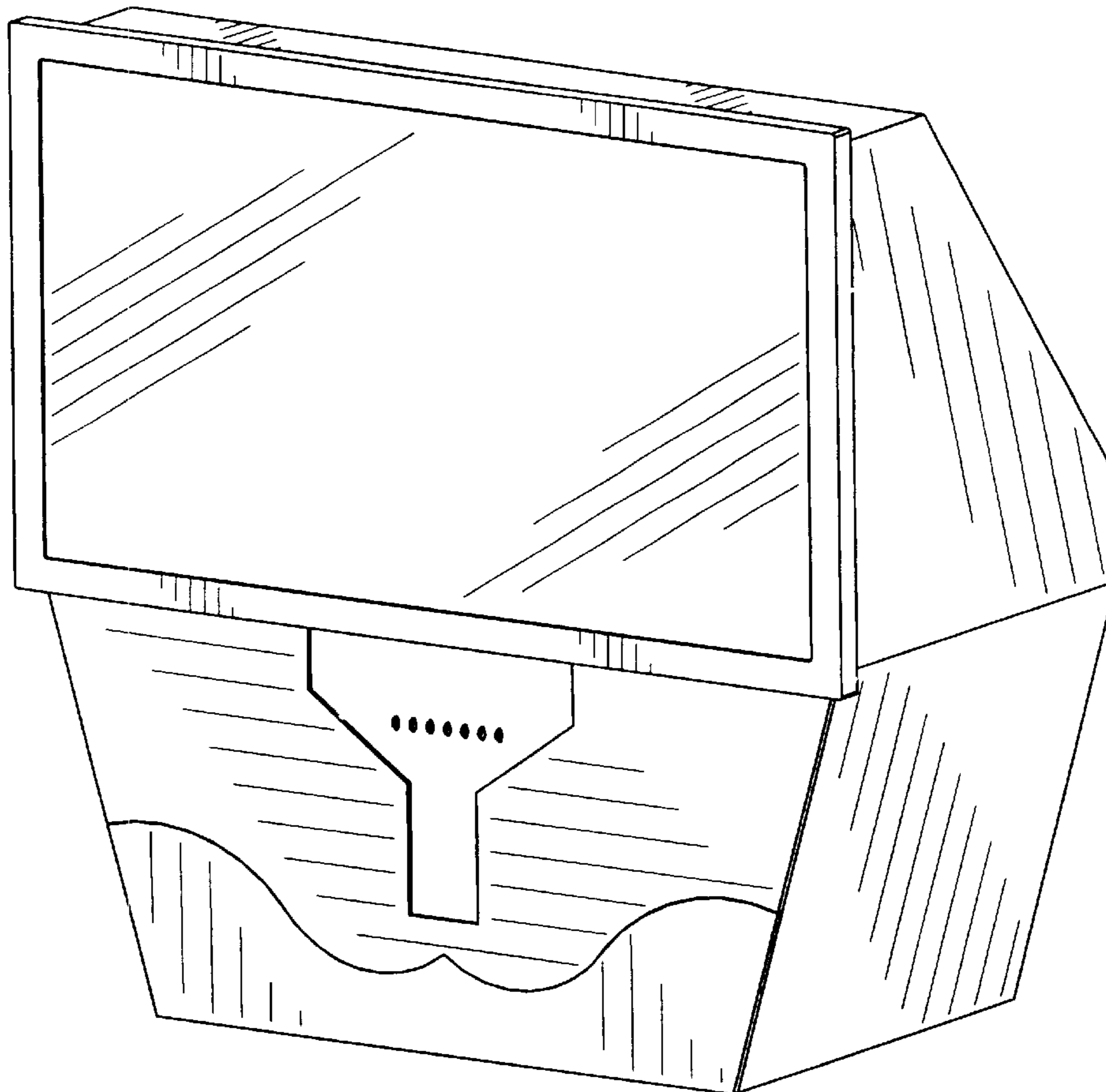
FIG. 4 is a left side view thereof.

FIG. 5 is a right side view thereof.

FIG. 6 is a top plan view thereof; and,

FIG. 7 is a bottom plan view thereof.

**1 Claim, 7 Drawing Sheets**



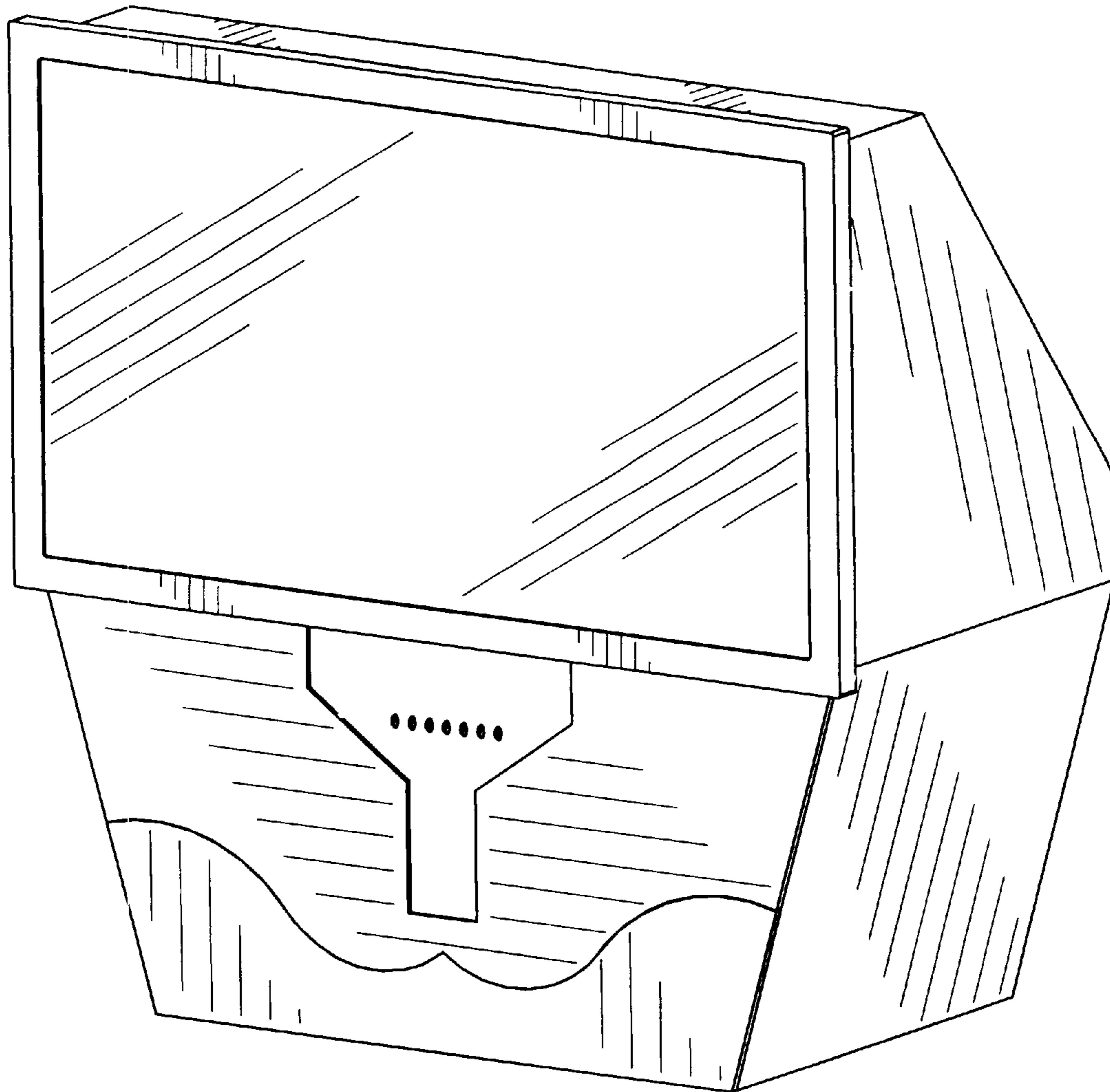


FIG. 1

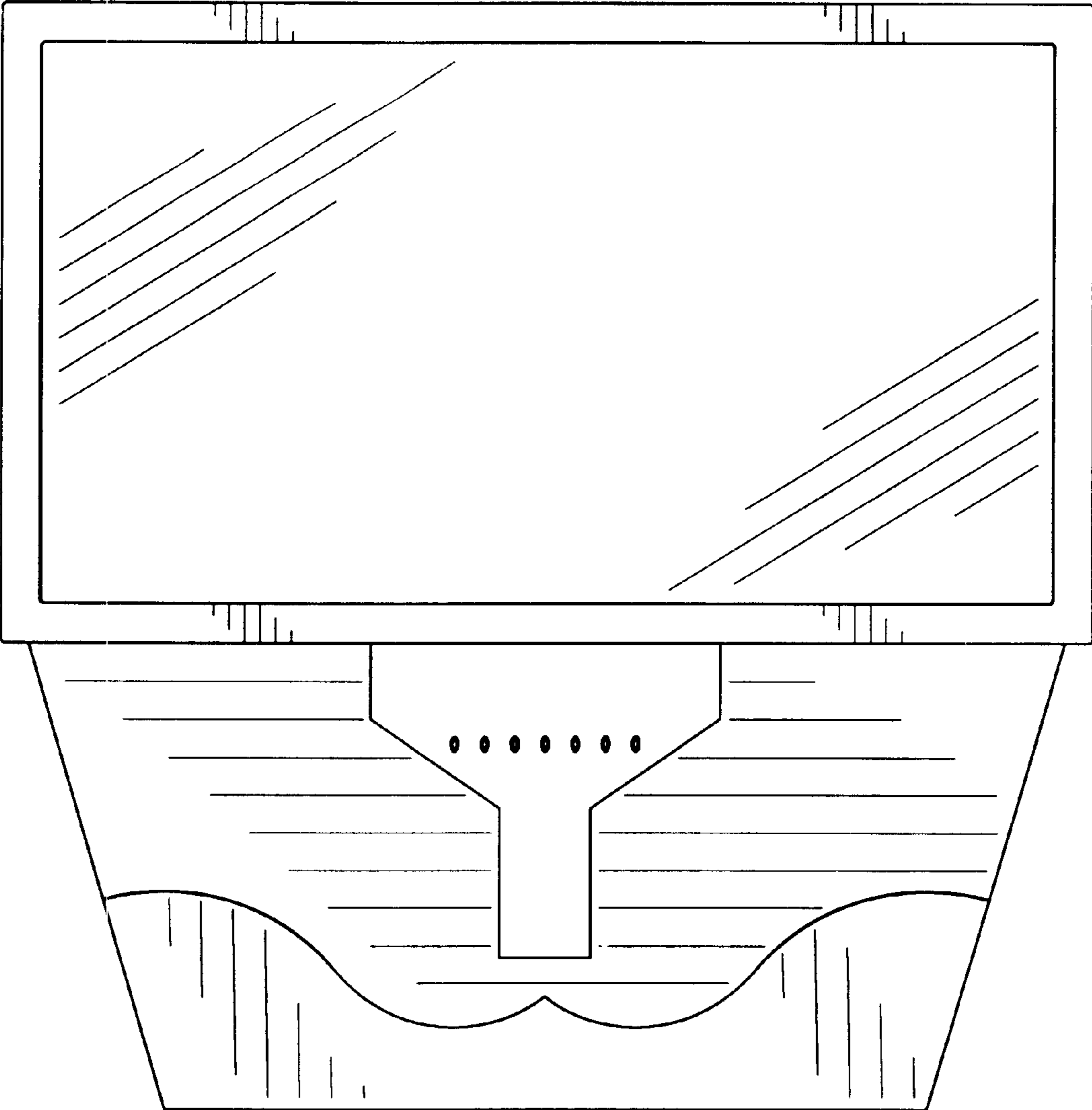


FIG. 2

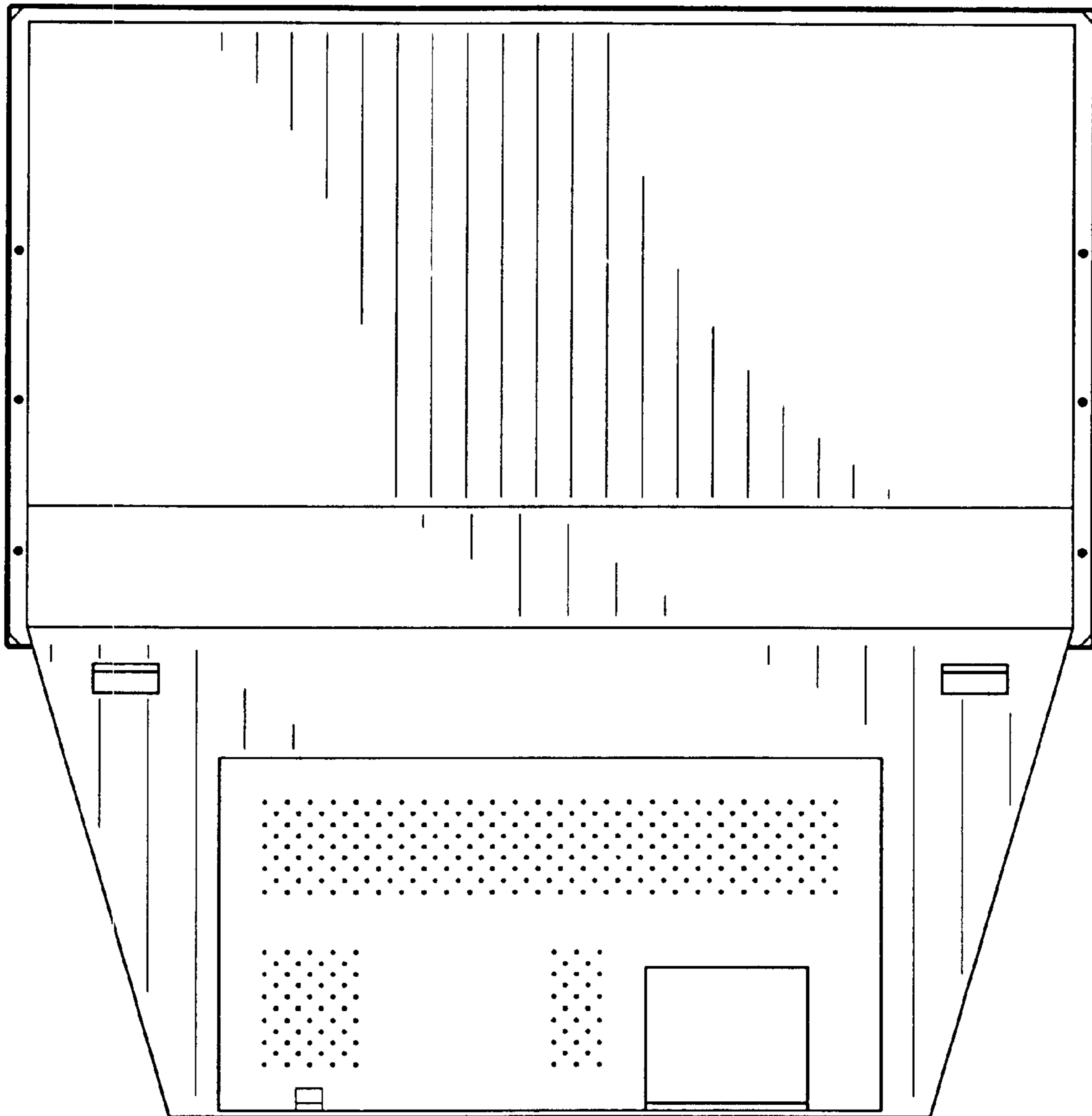


FIG. 3

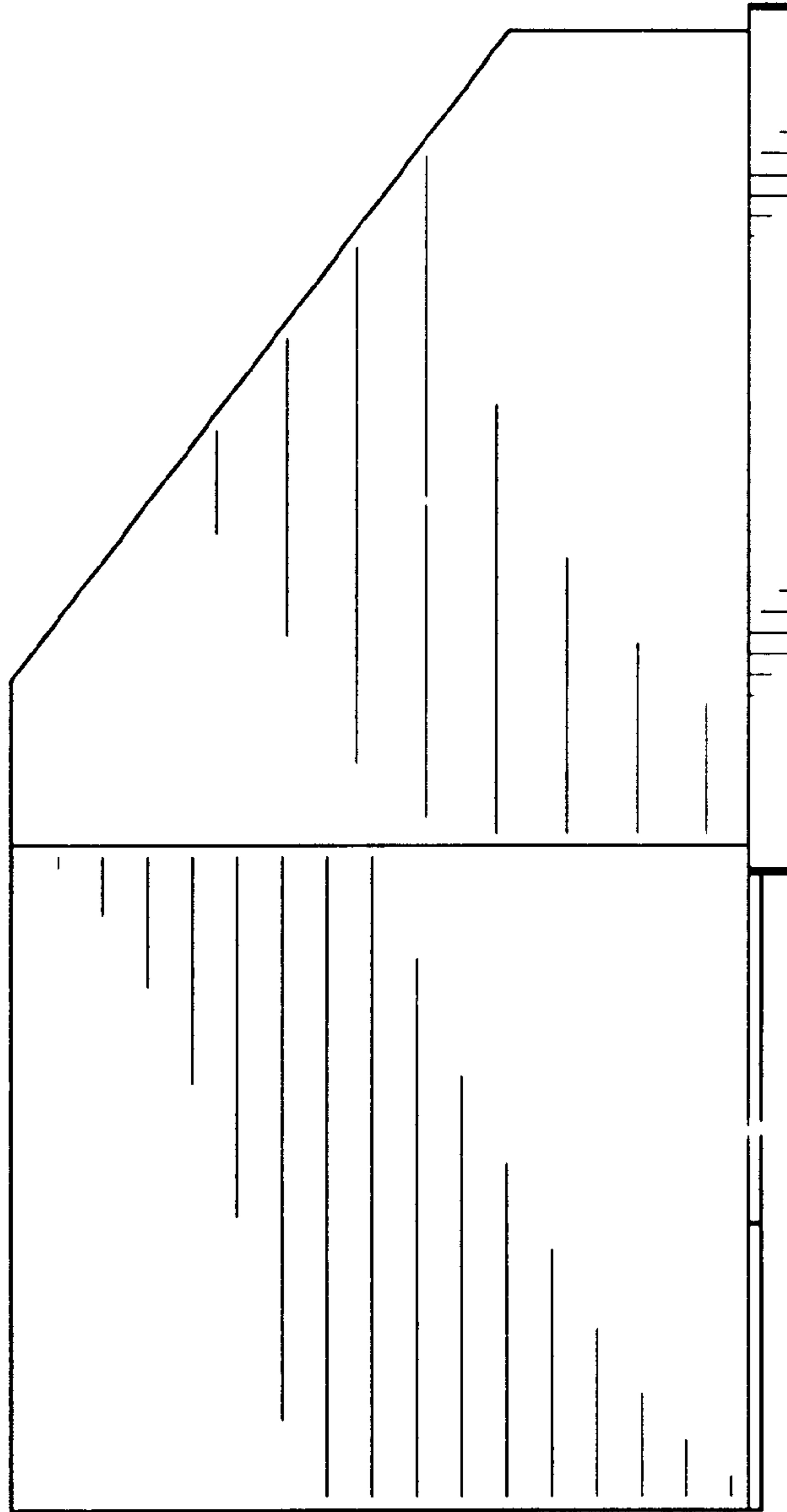


FIG. 4

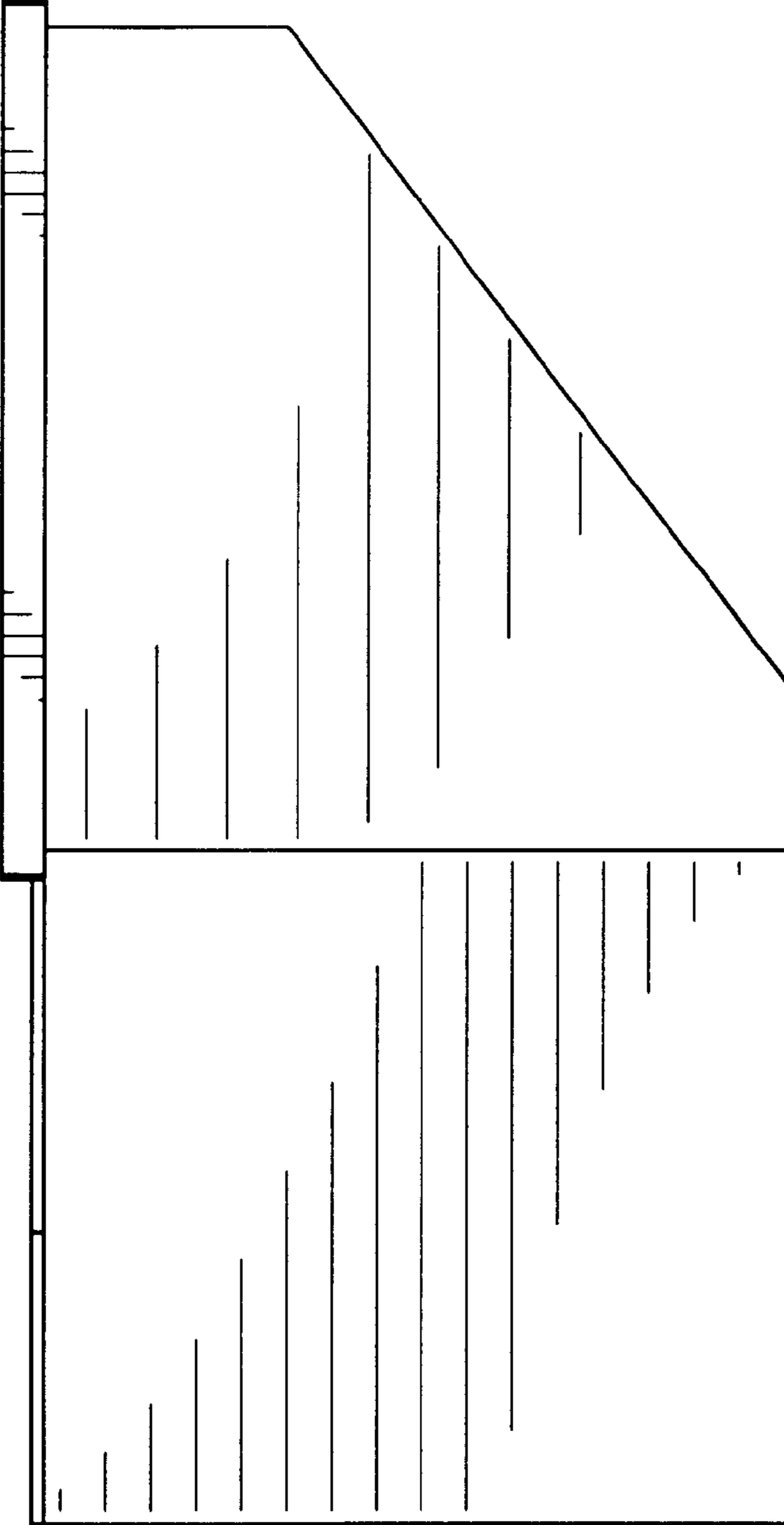


FIG. 5

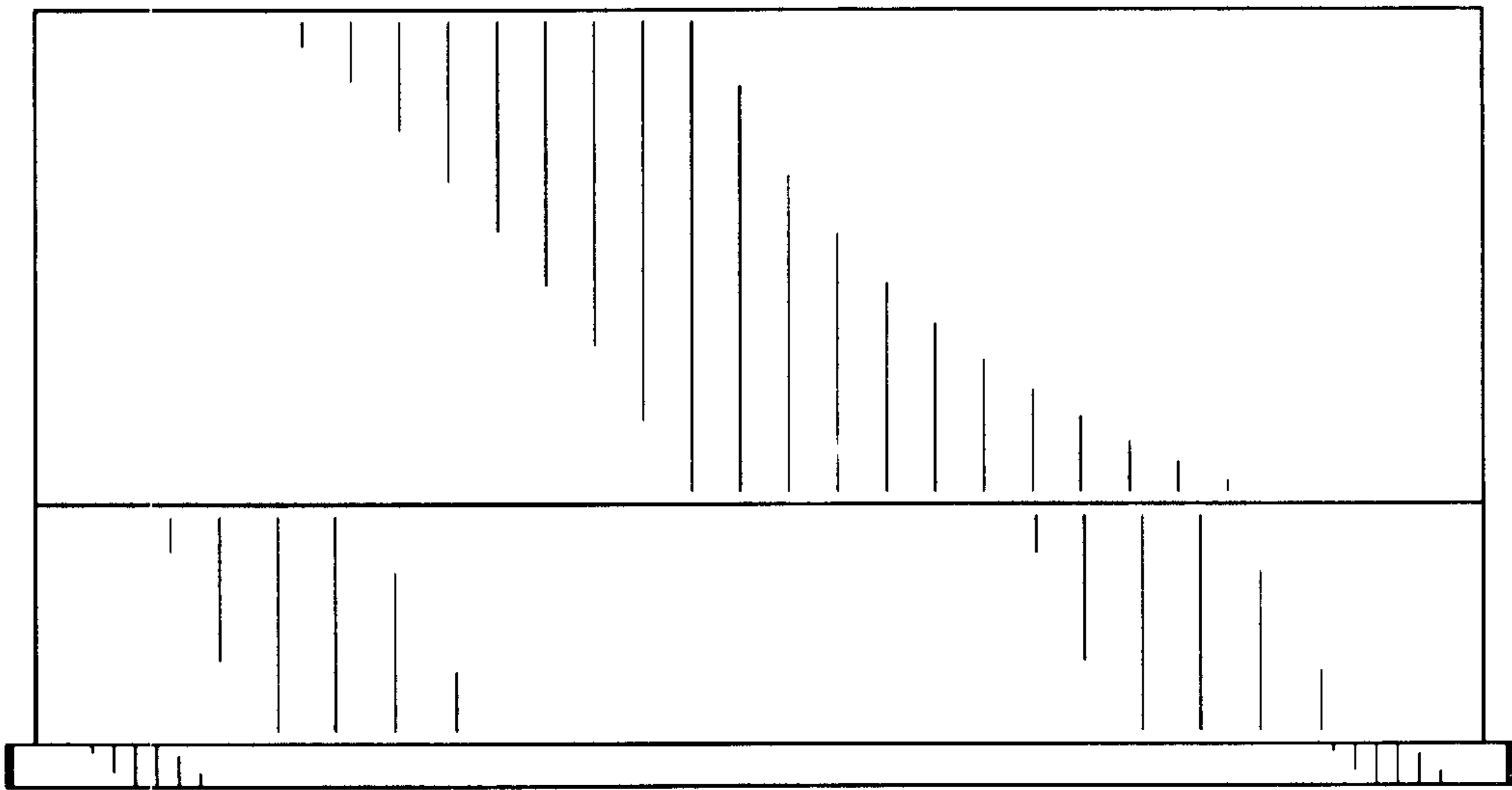


FIG. 6

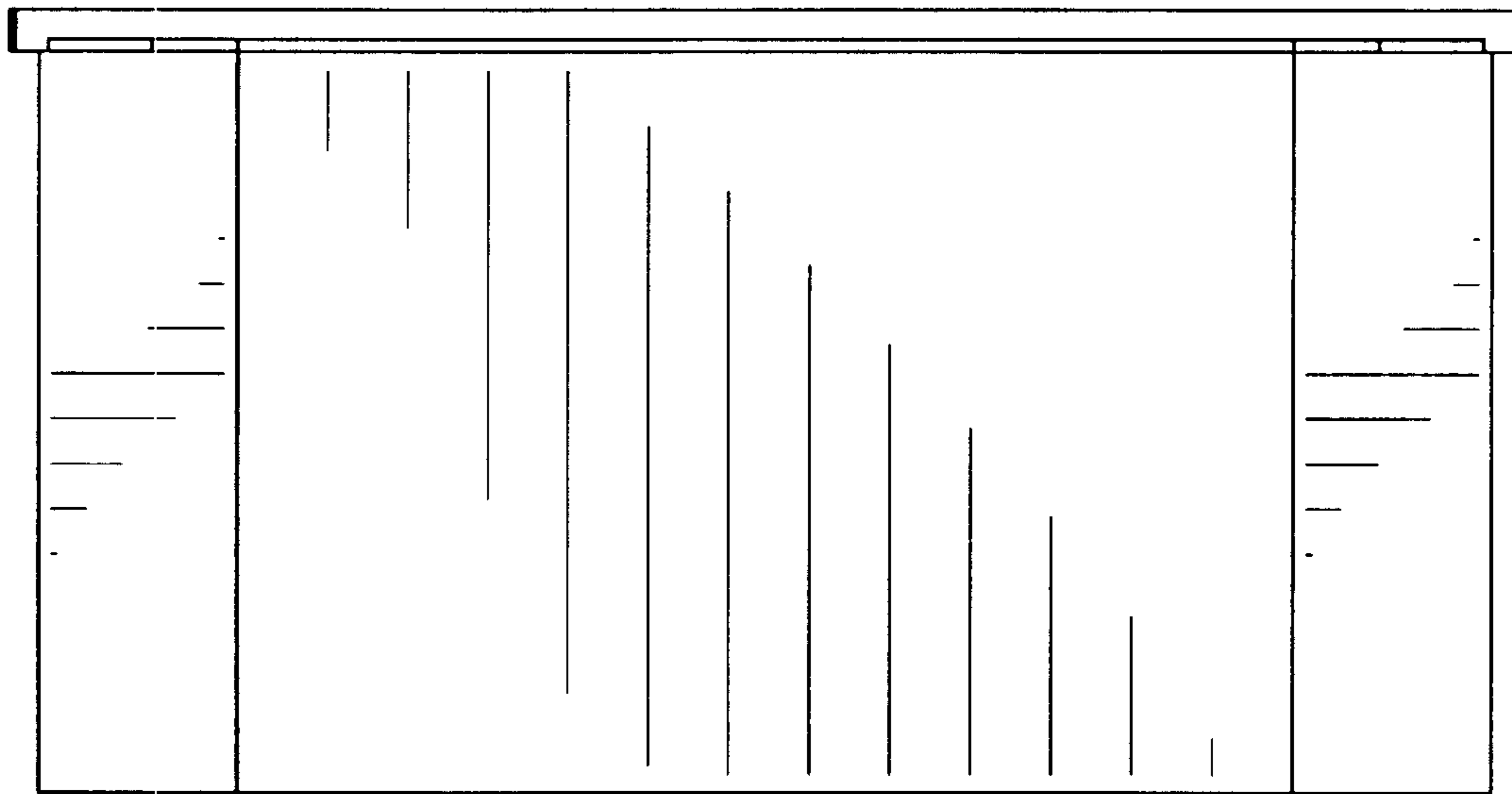


FIG. 7