

US00D532393S

(12) **United States Design Patent**
Reza et al.

(10) **Patent No.:** **US D532,393 S**

(45) **Date of Patent:** **** Nov. 21, 2006**

(54) **TELEVISION SET**

(75) Inventors: **Ana Reza**, Sunnyvale, CA (US);
Michael Voege, Sunnyvale, CA (US)

(73) Assignee: **Hannspree, Inc.**, Taipei (TW)

(**) Term: **14 Years**

(21) Appl. No.: **29/239,210**

(22) Filed: **Sep. 28, 2005**

(30) **Foreign Application Priority Data**

Aug. 26, 2005 (TW) 94305163

(51) **LOC (8) Cl.** **14-03**

(52) **U.S. Cl.** **D14/126**

(58) **Field of Classification Search** D14/125-134,
D14/239, 371, 136, 374-377; 312/7.2; 348/836,
348/838, 180, 184, 325, 739, 465; 341/12;
248/917-924; 345/104, 133, 156, 168, 87,
345/173; 720/605, 669, 600, 655; 369/99,
369/197; 455/344-347

See application file for complete search history.

(56) **References Cited**

U.S. PATENT DOCUMENTS

D431,565 S * 10/2000 Lin et al. D14/375

D462,961 S * 9/2002 Neal et al. D14/374
D468,740 S * 1/2003 Lin D14/375
D481,728 S * 11/2003 Olson et al. D14/375
D483,364 S * 12/2003 Olson et al. D14/375
D483,365 S * 12/2003 Olson et al. D14/375
D483,757 S * 12/2003 Olson et al. D14/371

* cited by examiner

Primary Examiner—Raphael Barkai

(74) *Attorney, Agent, or Firm*—Rosenberg, Klein & Lee

(57) **CLAIM**

The ornamental design for a television set, is substantially as shown and described.

DESCRIPTION

FIG. 1 is a front perspective view of the television set showing the new design;

FIG. 2 is a front view of the television set;

FIG. 3 is a back view of the television set;

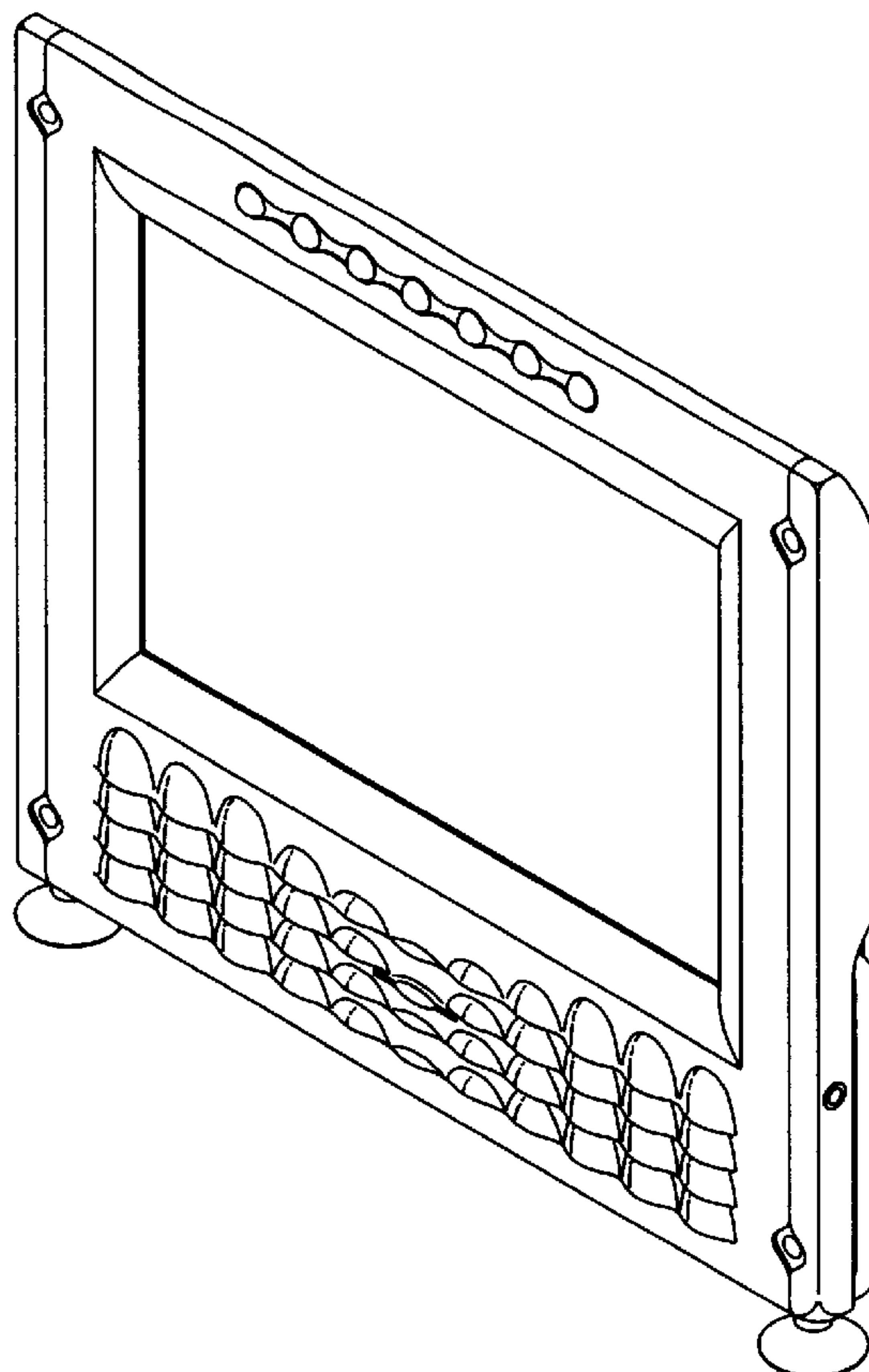
FIG. 4 is a right side view of the television set;

FIG. 5 is a left side view of the television set;

FIG. 6 is a bottom view of the television set; and,

FIG. 7 is a top view of the television set.

1 Claim, 4 Drawing Sheets



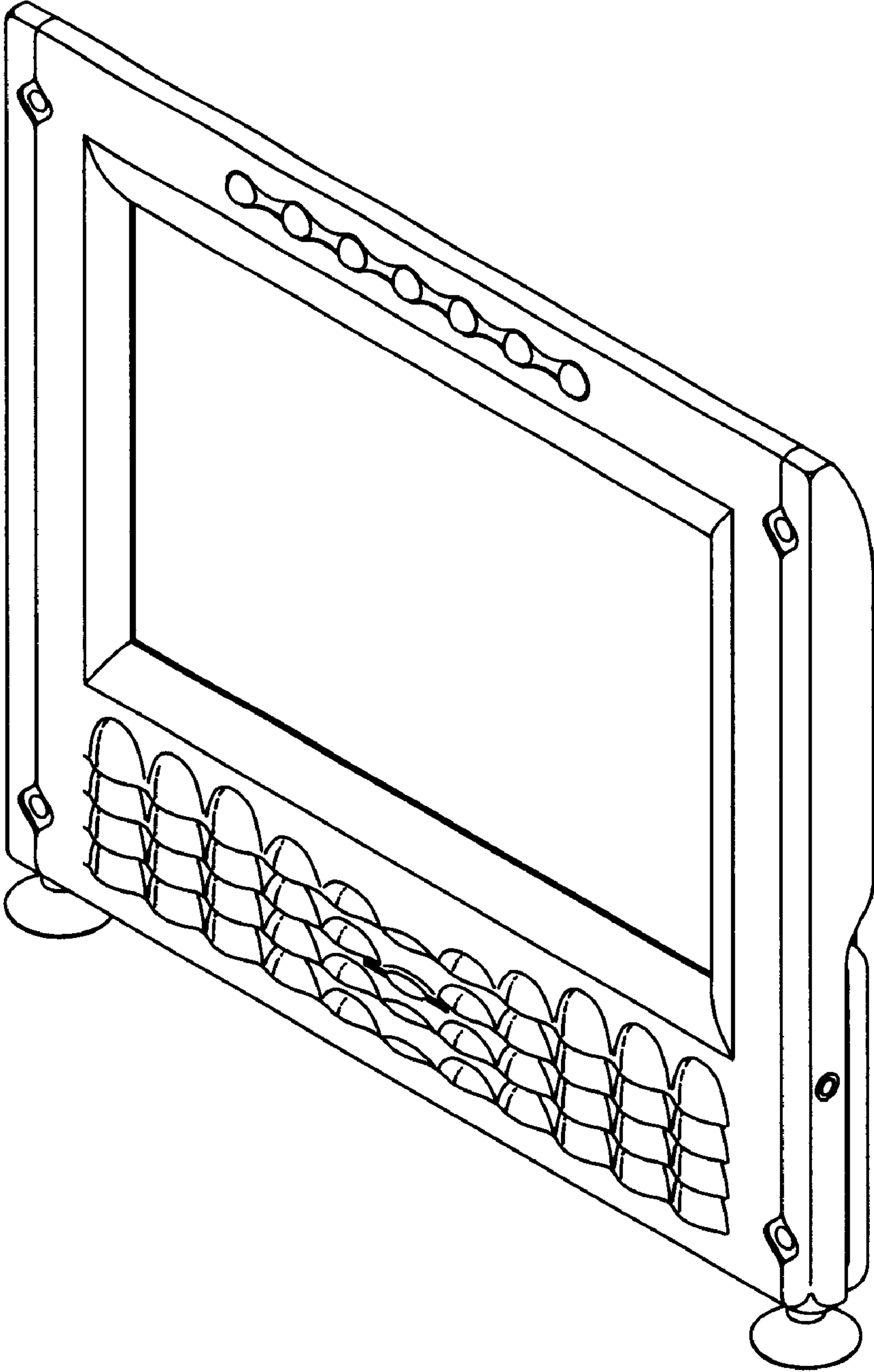


Fig. 1

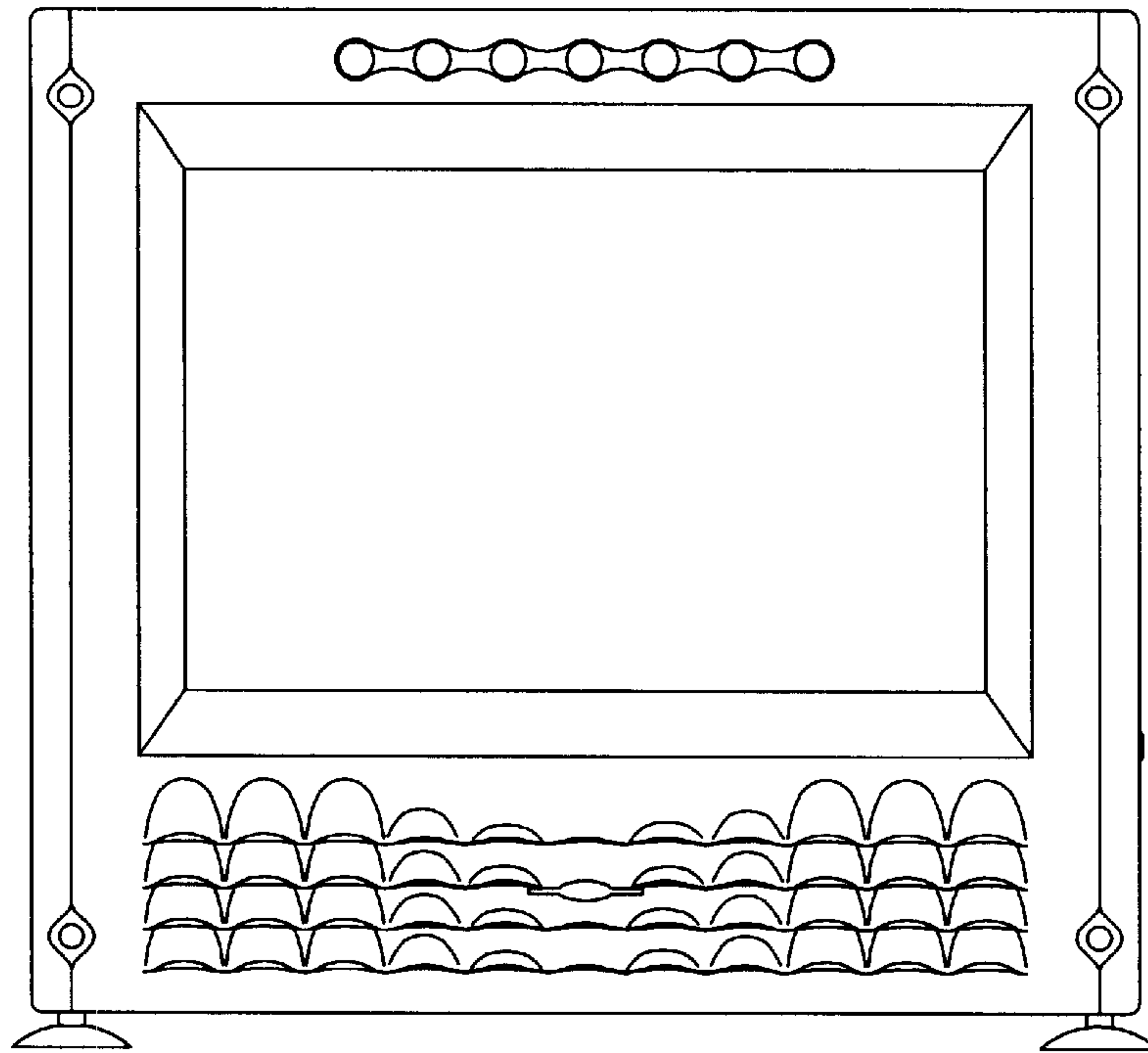


Fig. 2

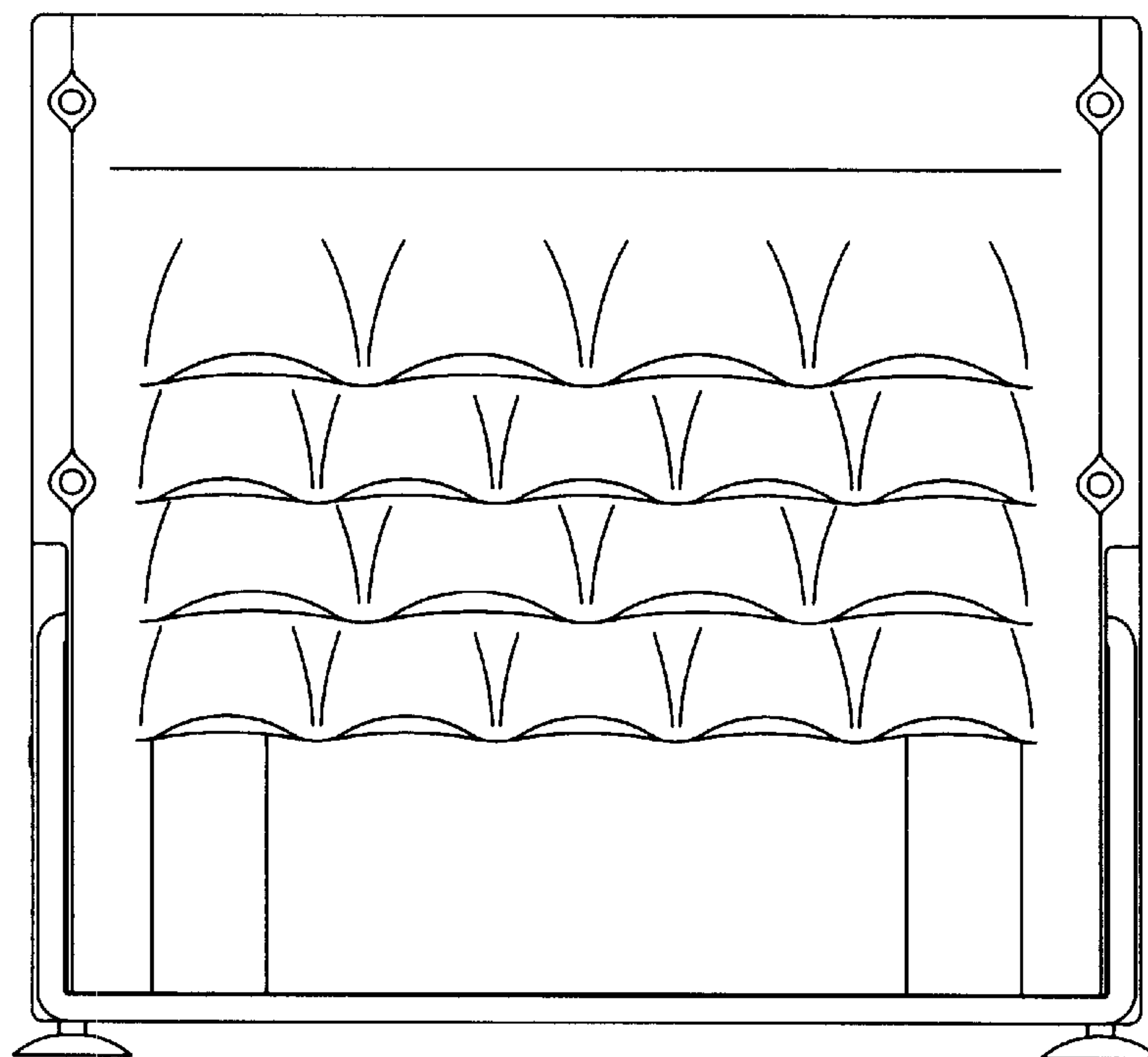


Fig. 3



Fig. 4

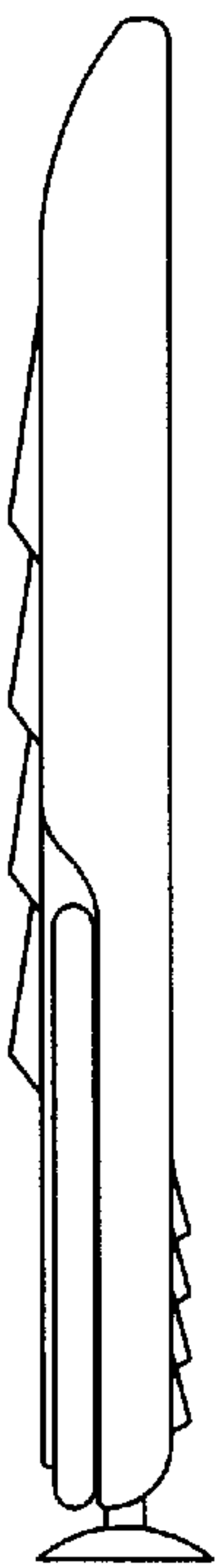


Fig. 5

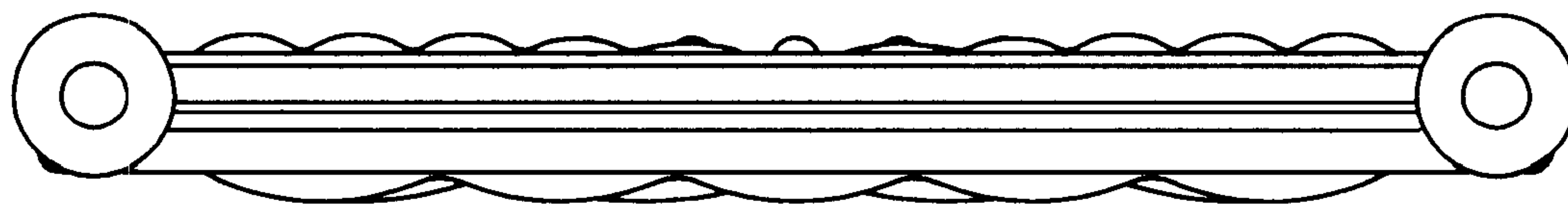


Fig. 6

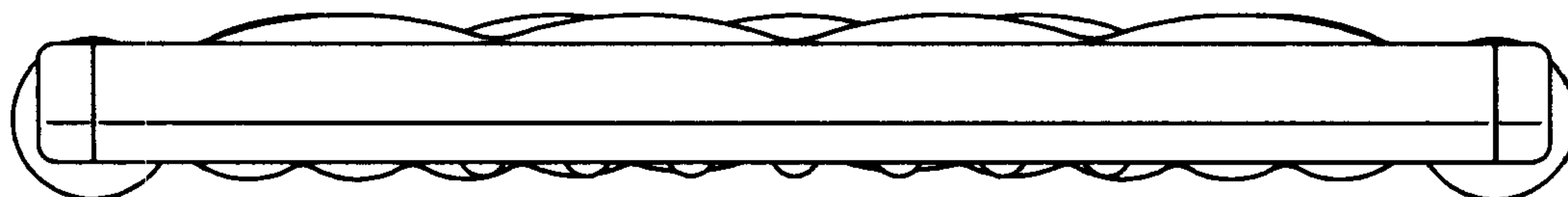


Fig. 7