



US00D532391S

(12) **United States Design Patent**
Chia

(10) **Patent No.:** **US D532,391 S**

(45) **Date of Patent:** **** Nov. 21, 2006**

(54) **TELEVISION SET**

D415,147 S * 10/1999 Adachi D14/132
D502,152 S * 2/2005 Peng D14/126

(75) Inventor: **Benjamin Chia**, Cupertino, CA (US)

* cited by examiner

(73) Assignee: **Hannspree, Inc.**, Taipei (TW)

Primary Examiner—Raphael Barkai

(**) Term: **14 Years**

(74) *Attorney, Agent, or Firm*—Troxell Law Office, PLLC

(21) Appl. No.: **29/238,022**

(57) **CLAIM**

(22) Filed: **Sep. 12, 2005**

The ornamental design for a television set, as shown and described.

(30) **Foreign Application Priority Data**

Jul. 15, 2005 (TW) 94304264

DESCRIPTION

(51) **LOC (8) Cl.** **14-03**

(52) **U.S. Cl.** **D14/126**

(58) **Field of Classification Search** D14/125–134,
D14/239, 371, 136, 374–377; 312/7.2; 348/836,
348/838, 180, 184, 325, 739; 341/12; 248/917–924,
248/465; 345/104, 133, 156, 168, 87, 173;
720/605, 669, 600, 655; 369/99, 197; 455/344–347
See application file for complete search history.

FIG. 1 is a perspective view of television set showing my design;

FIG. 2 is front view thereof;

FIG. 3 is a right side view thereof;

FIG. 4 is a top view thereof;

FIG. 5 is a bottom view thereof;

FIG. 6 is a rear view thereof; and,

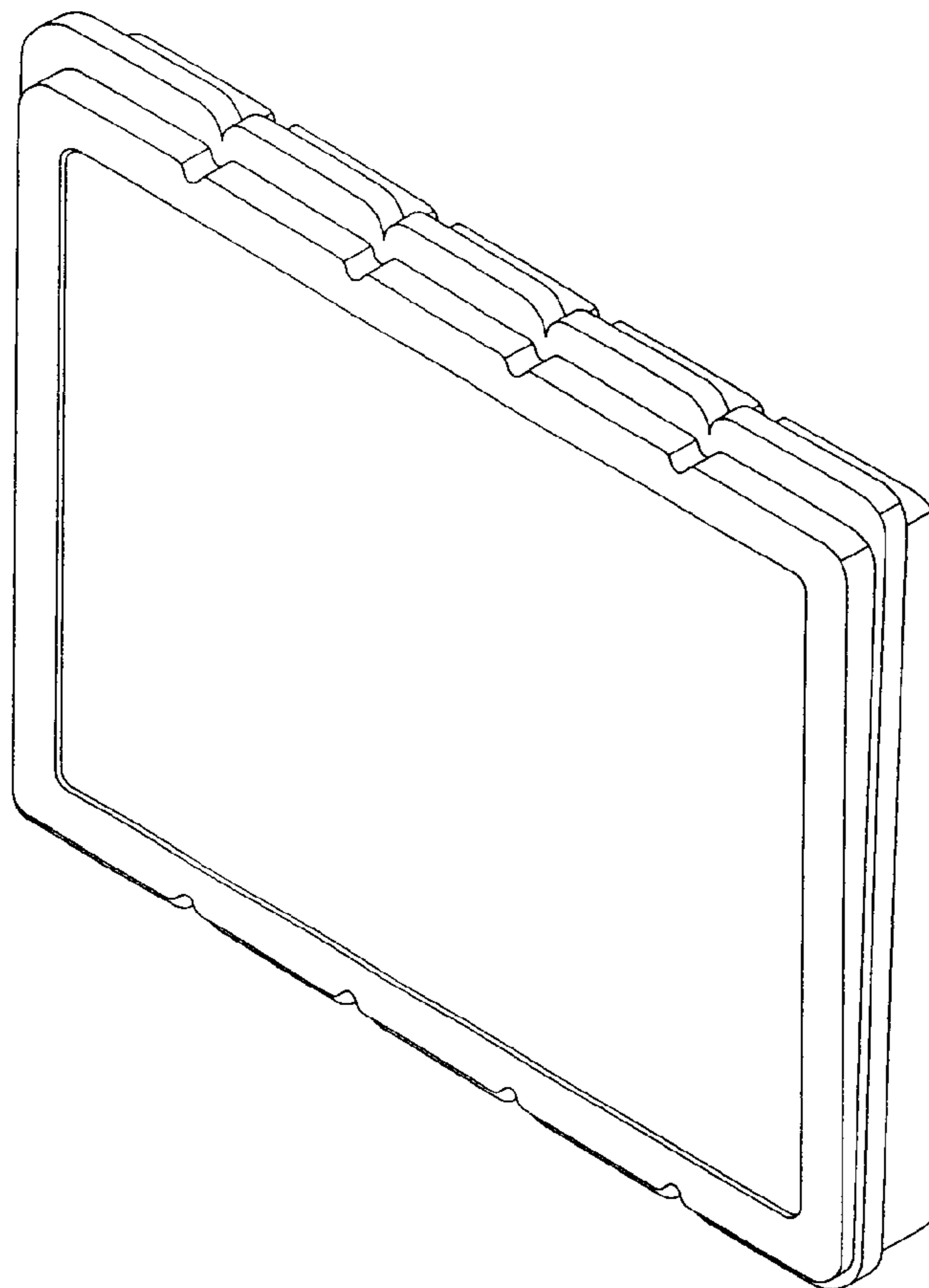
FIG. 7 is a left side view thereof.

(56) **References Cited**

U.S. PATENT DOCUMENTS

D325,575 S * 4/1992 Fujii et al. D14/126

1 Claim, 4 Drawing Sheets



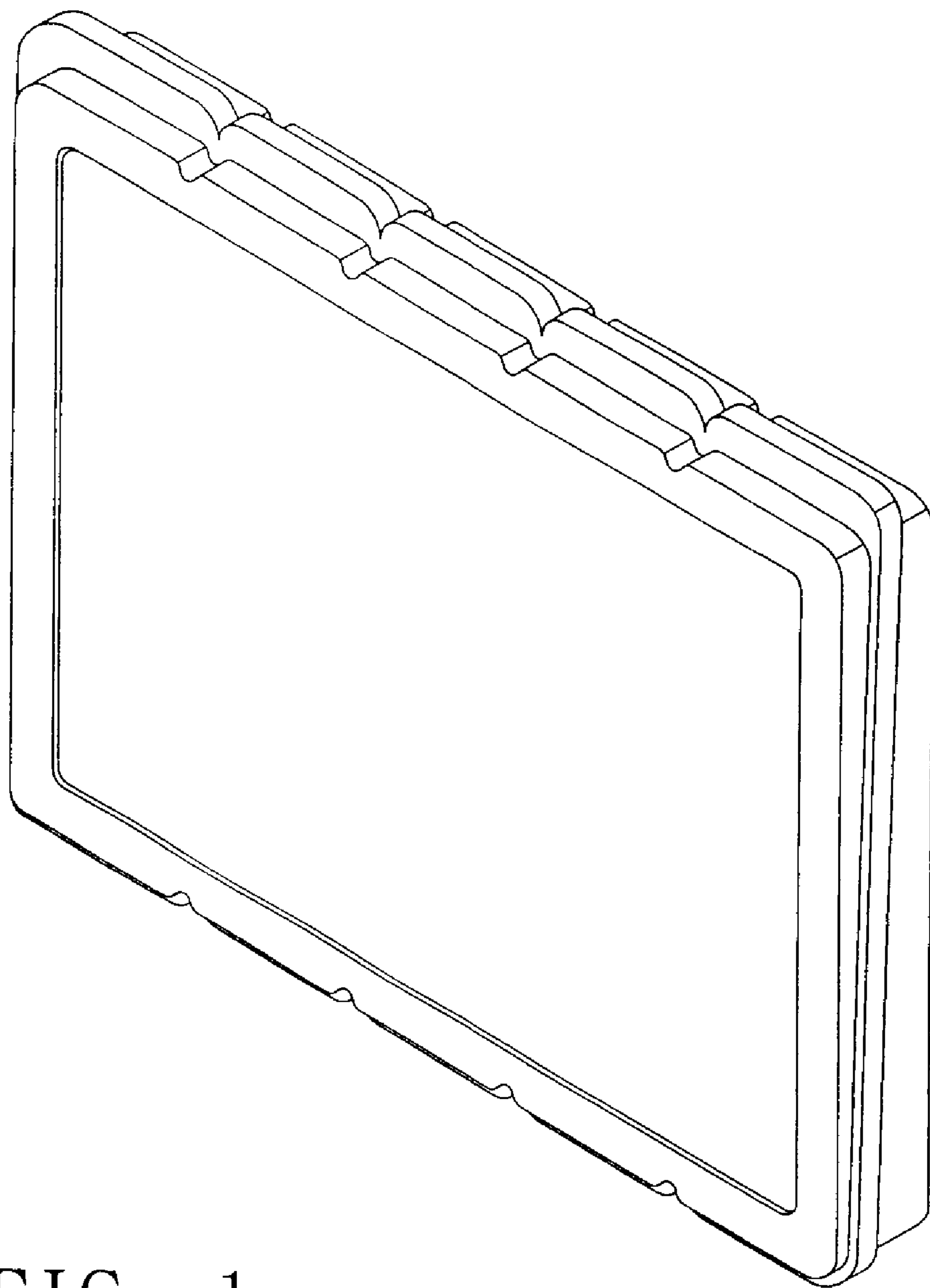


FIG. 1

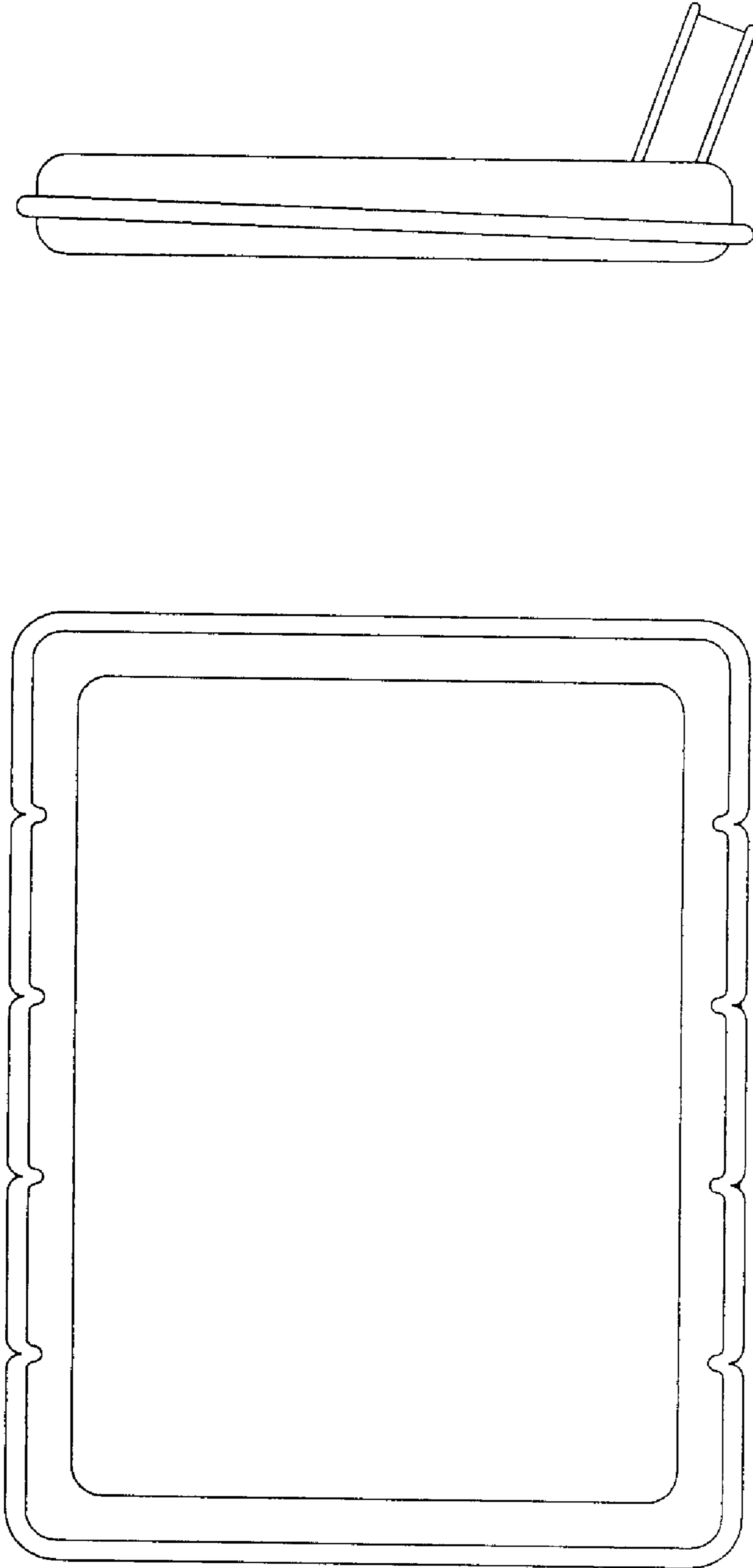


FIG. 2

FIG. 3

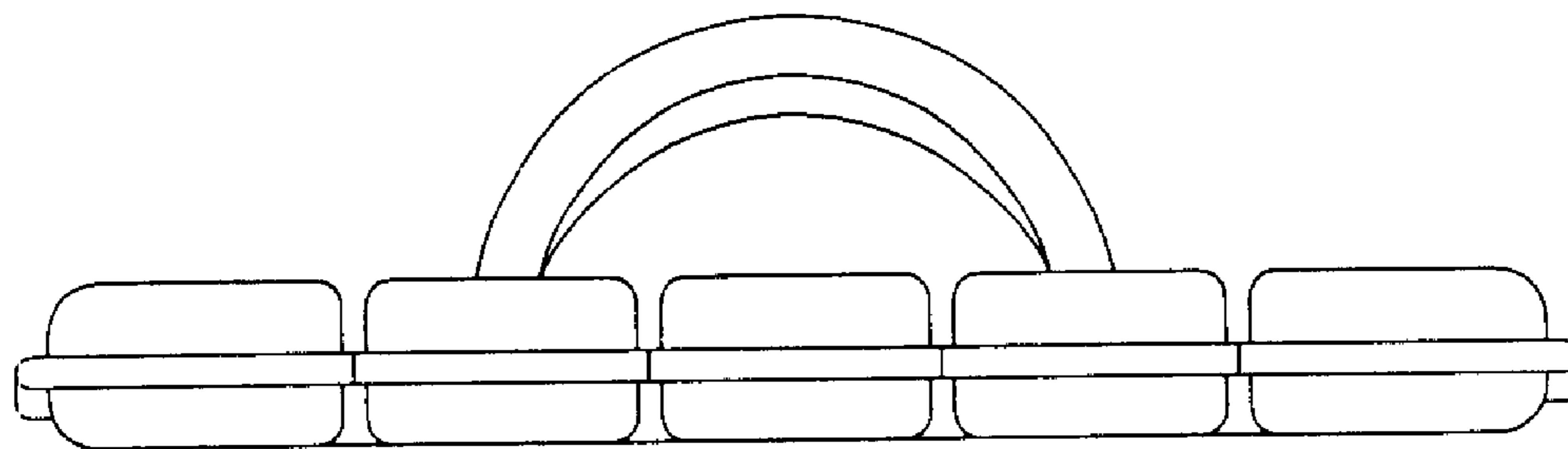


FIG. 4

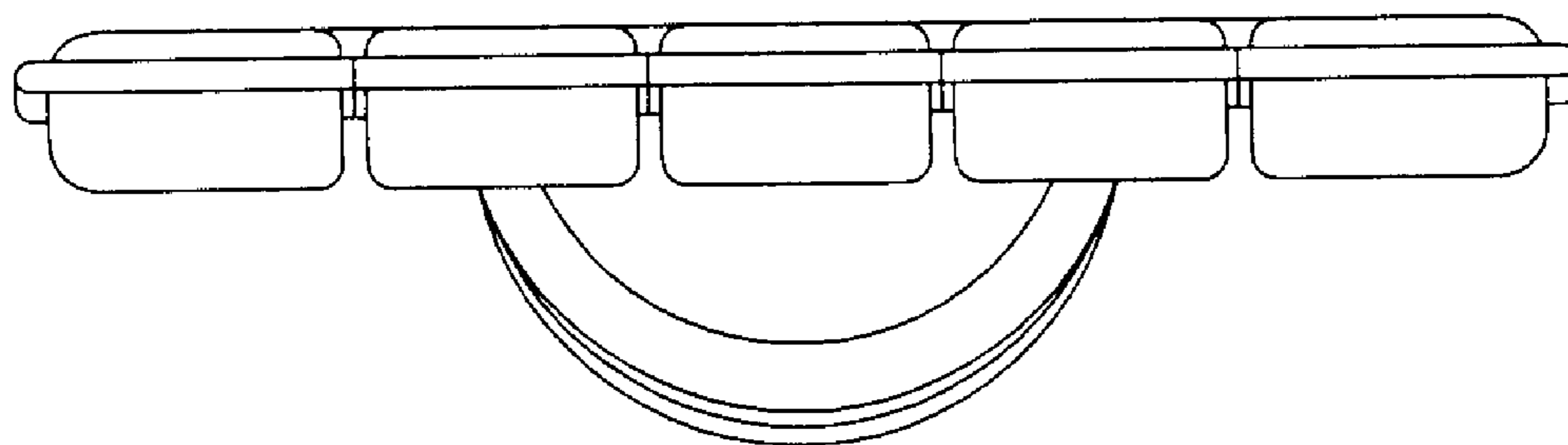


FIG. 5

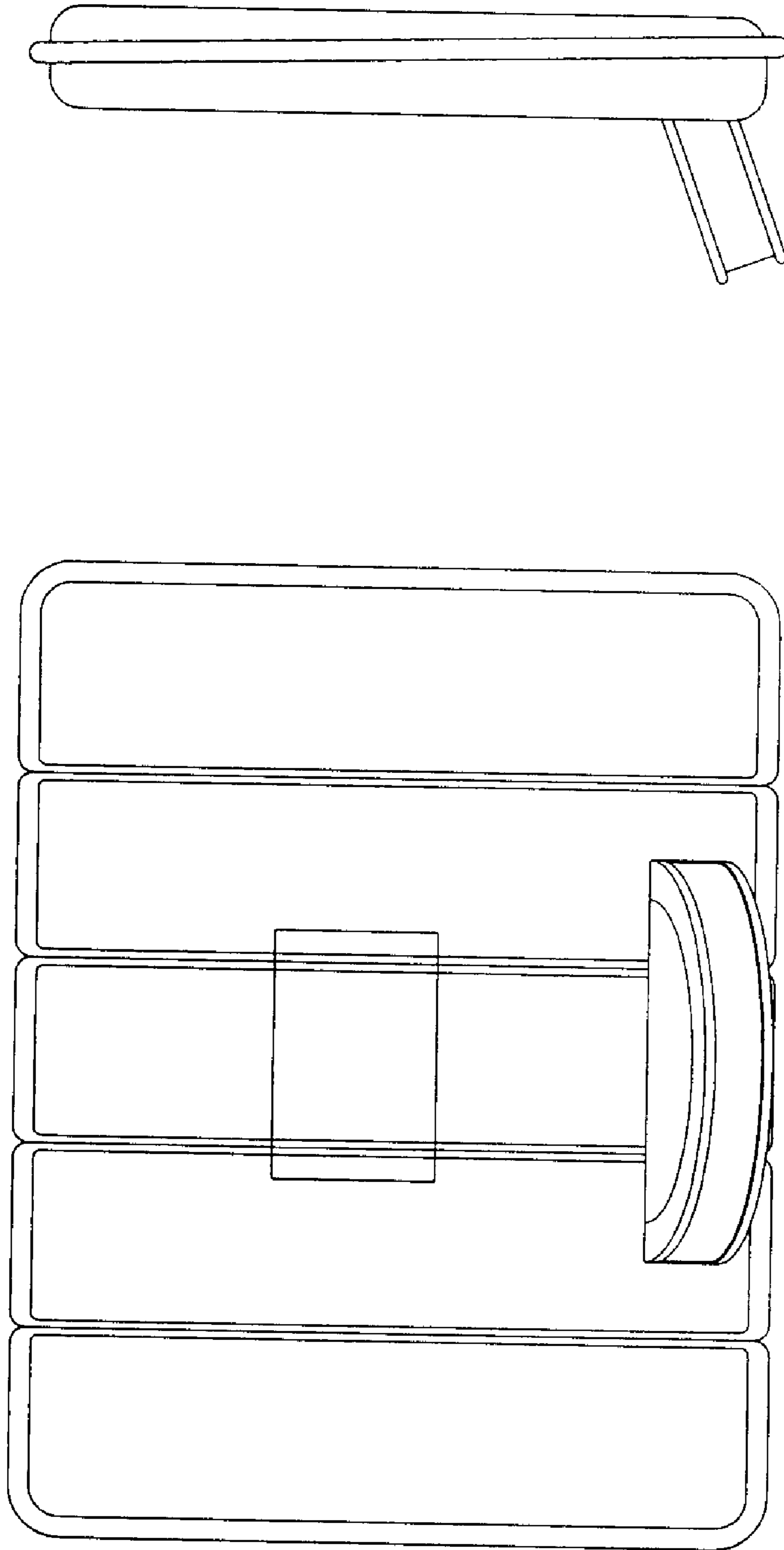


FIG. 6

FIG. 7