



US00D532389S

(12) **United States Design Patent**  
**Hoehn**

(10) **Patent No.:** **US D532,389 S**

(45) **Date of Patent:** **\*\* Nov. 21, 2006**

(54) **TELEVISION SET**

(75) Inventor: **Holger Hoehn**, Taipei (TW)

(73) Assignee: **Hannspree, Inc.**, Taipei (TW)

(\*\*) Term: **14 Years**

(21) Appl. No.: **29/227,526**

(22) Filed: **Apr. 13, 2005**

(30) **Foreign Application Priority Data**

Dec. 16, 2004 (TW) ..... 93307752

(51) **LOC (8) Cl.** ..... **14-03**

(52) **U.S. Cl.** ..... **D14/126**

(58) **Field of Classification Search** ..... D14/125-134,  
D14/239, 371, 136, 374-377; 312/7.2; 348/836,  
348/838, 180, 184, 325, 739; 341/12; 248/917-924,  
248/465; 345/104, 133, 156, 168, 87, 173;  
720/605, 669, 600, 655; 369/99, 197; 455/344-347  
See application file for complete search history.

(56) **References Cited**

**U.S. PATENT DOCUMENTS**

D325,575 S \* 4/1992 Fujii et al. .... D14/126

D354,952 S \* 1/1995 Rodd ..... D14/374  
D406,613 S \* 3/1999 Nakanishi ..... D21/329  
D445,769 S \* 7/2001 Takemoto et al. .... D14/129  
D489,064 S \* 4/2004 Chang ..... D14/371  
D493,153 S \* 7/2004 Zhai et al. .... D14/126  
D506,733 S \* 6/2005 Boyer, Jr. .... D14/126  
D511,345 S \* 11/2005 Heatherly et al. .... D14/371

\* cited by examiner

*Primary Examiner*—Raphael Barkai

(74) *Attorney, Agent, or Firm*—Troxell Law Office, PLLC

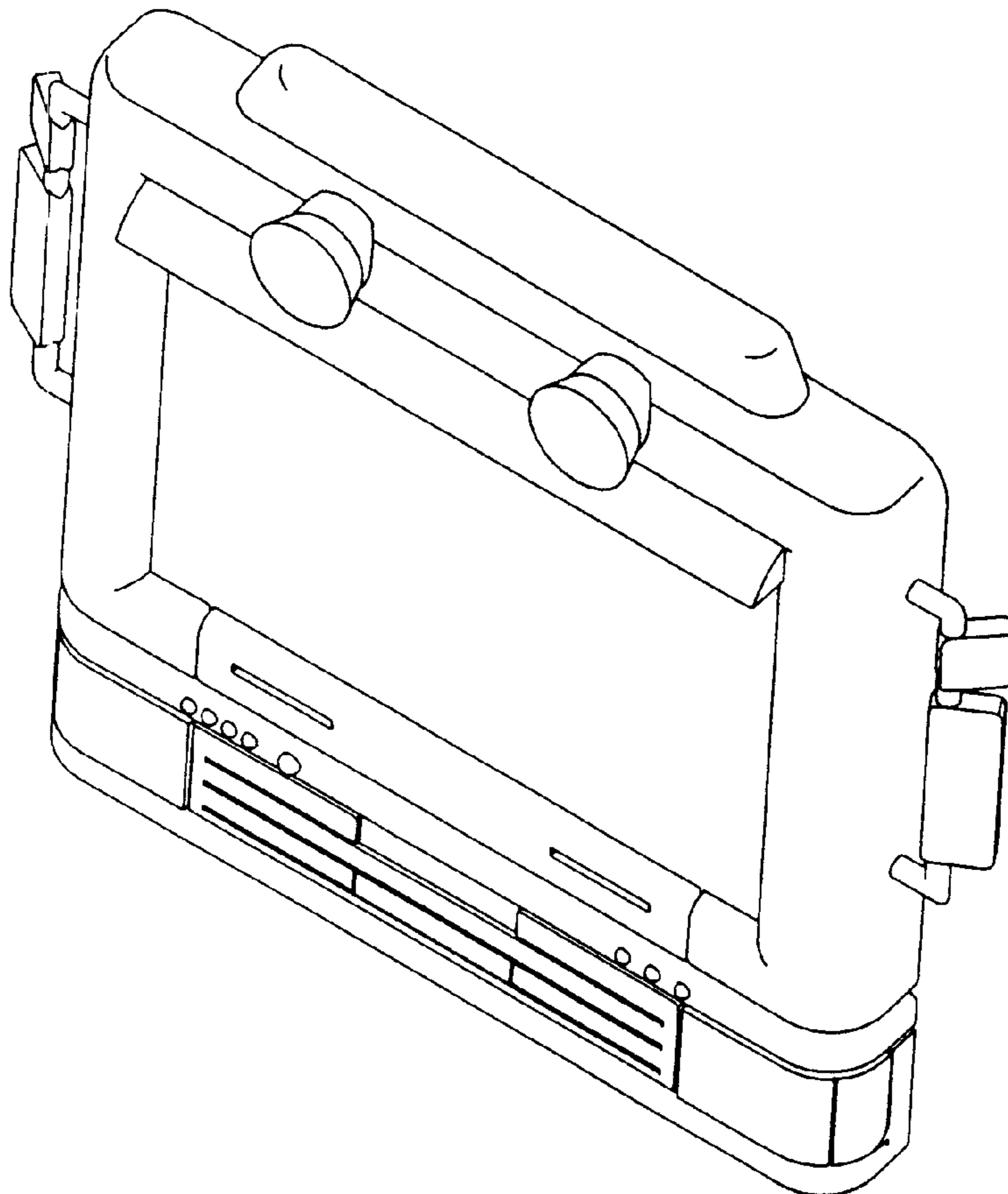
(57) **CLAIM**

The ornamental design for a television set, as shown and described.

**DESCRIPTION**

FIG. 1 is a perspective view of television set showing my design;  
FIG. 2 is front view thereof;  
FIG. 3 is a right side view thereof;  
FIG. 4 is a top view thereof;  
FIG. 5 is a bottom view thereof;  
FIG. 6 is a rear view thereof; and,  
FIG. 7 is a left side view thereof.

**1 Claim, 4 Drawing Sheets**



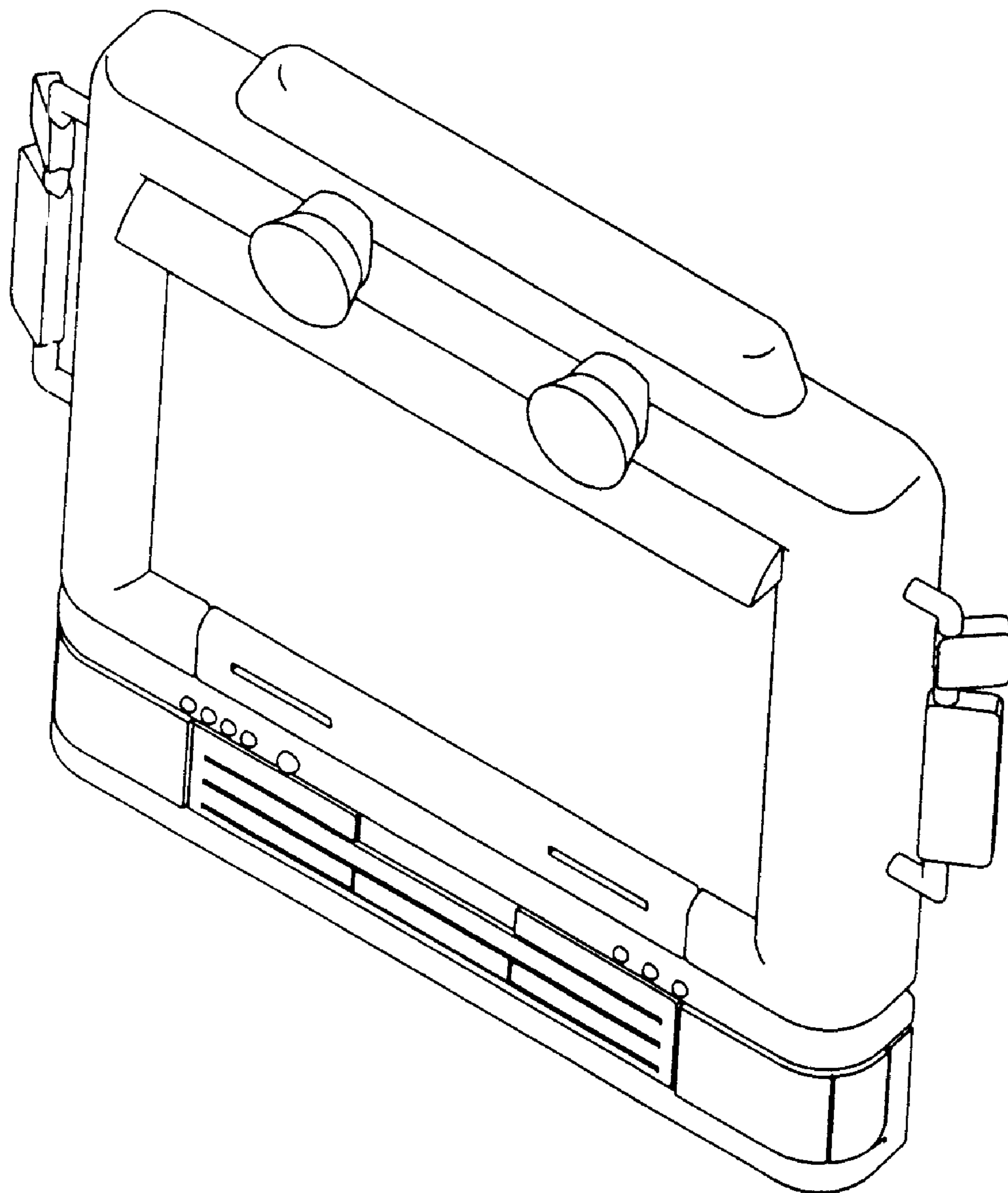


FIG. 1

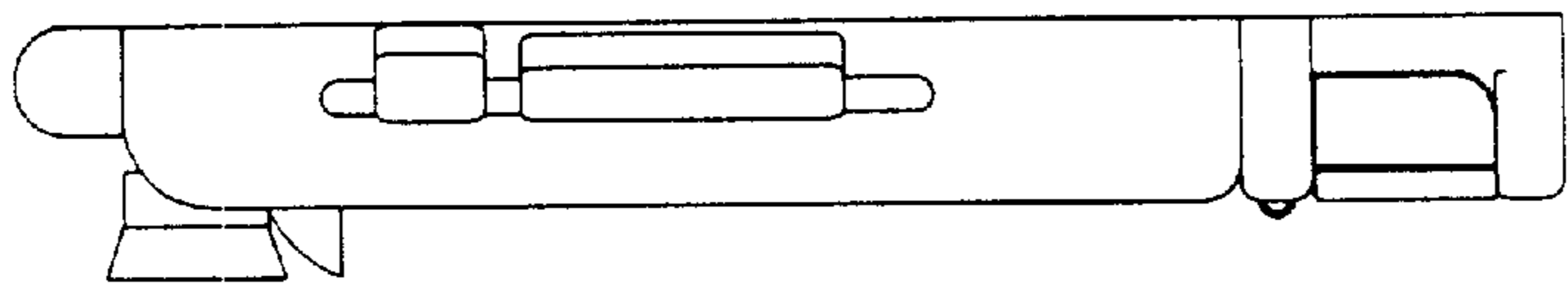


FIG. 3

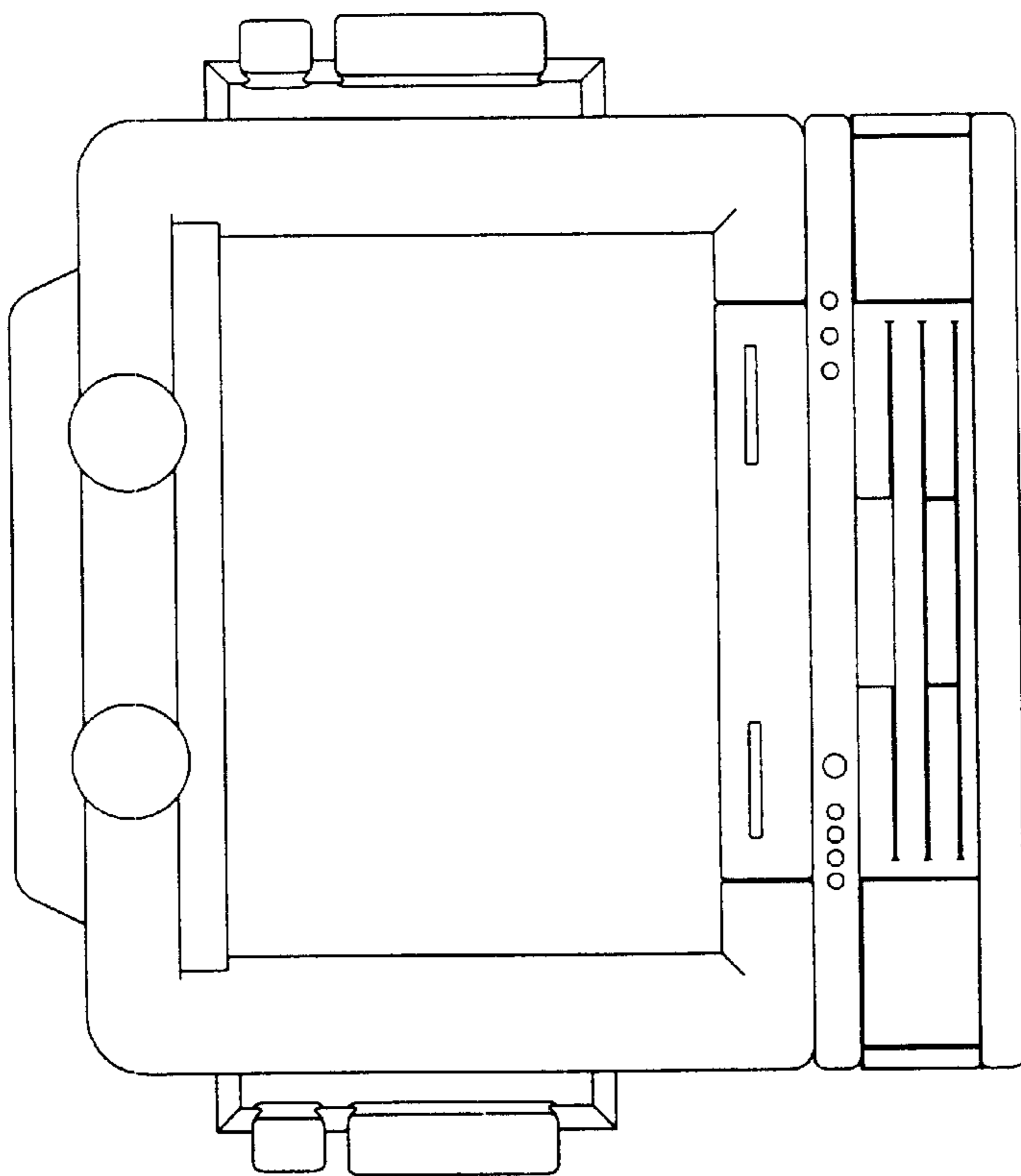


FIG. 2

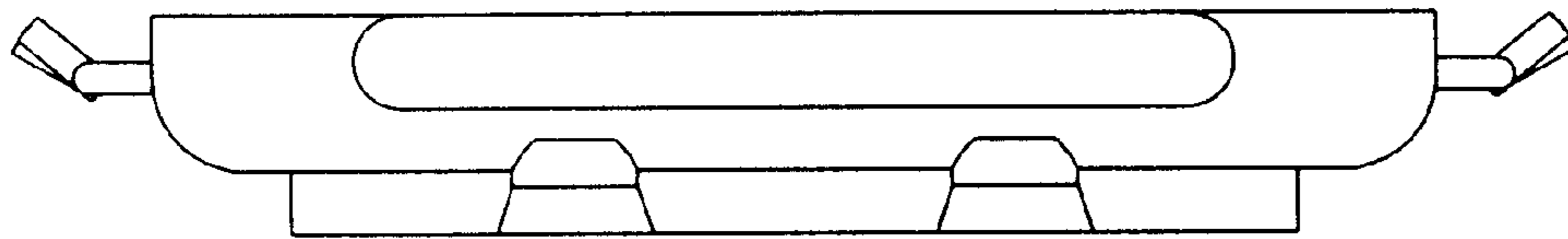


FIG. 4

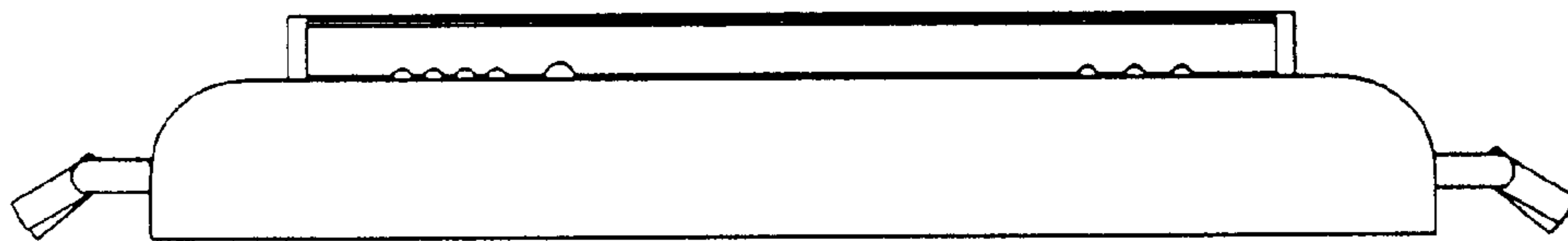


FIG. 5

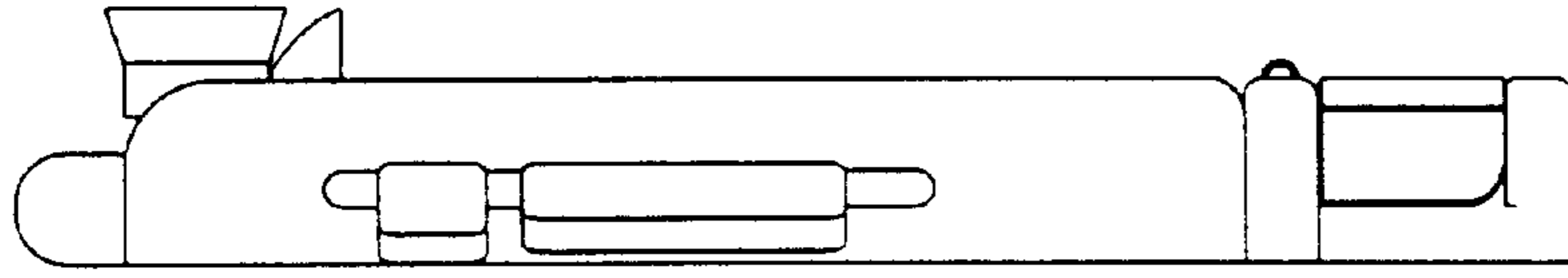


FIG. 7

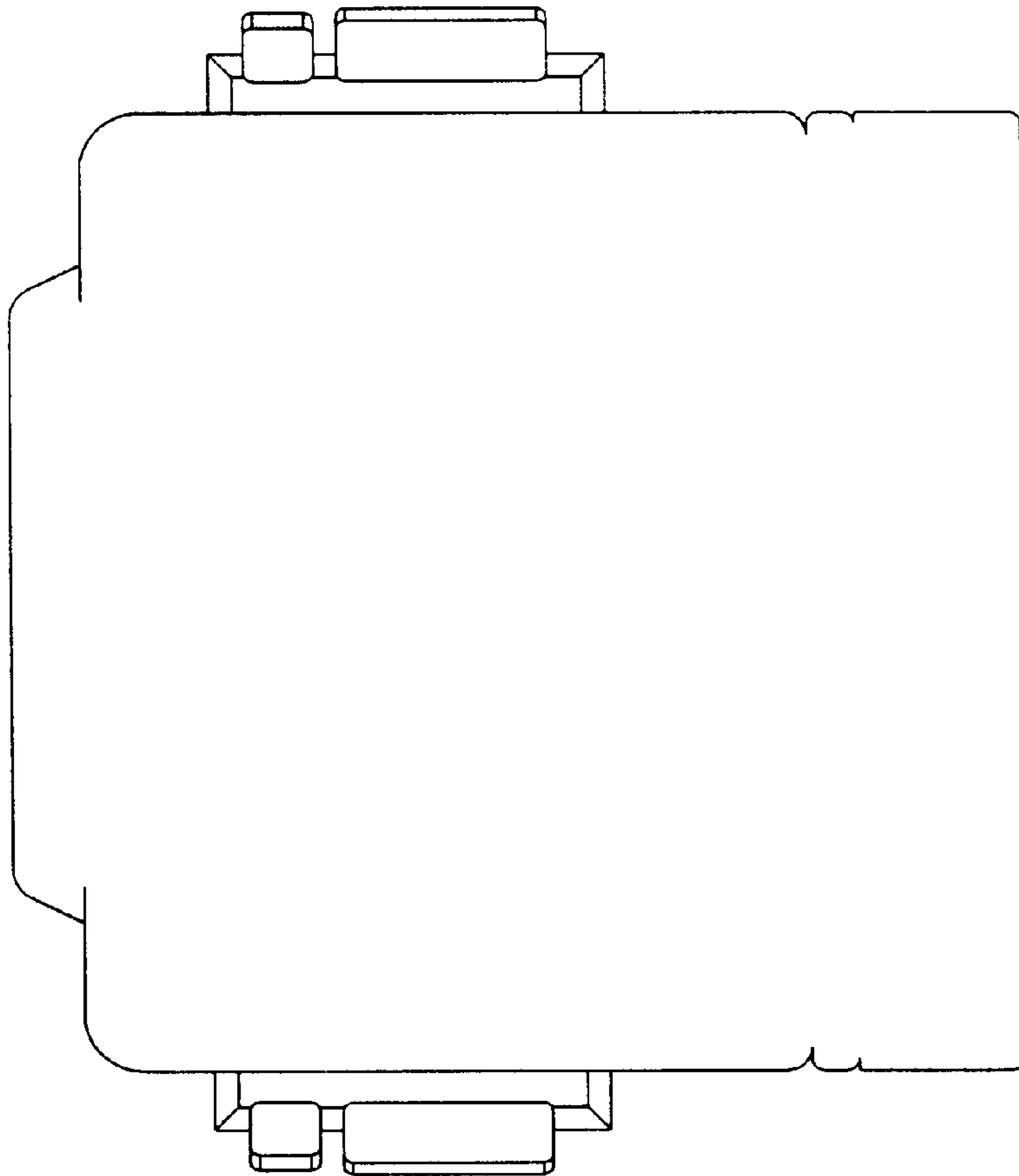


FIG. 6