



US00D532385S

(12) **United States Design Patent**
Shapson

(10) **Patent No.:** **US D532,385 S**

(45) **Date of Patent:** **** Nov. 21, 2006**

(54) **VIDEO AMPLIFIER**

(75) Inventor: **Jay F. Shapson**, Englishtown, NJ (US)

(73) Assignee: **Extreme Broadband Engineering, LLC**, Englishtown, NJ (US)

(**) Term: **14 Years**

(21) Appl. No.: **29/203,789**

(22) Filed: **Apr. 19, 2004**

(51) **LOC (8) Cl.** **14-03**

(52) **U.S. Cl.** **D14/125**

(58) **Field of Classification Search** D14/125-134,
D14/218, 358, 356, 432, 433, 114, 217, 230,
D14/299, 174; D13/162, 184, 199, 147, 123,
D13/133, 151, 154, 168; 361/690-696; 385/76,
385/88, 129; D20/18; D26/37; 312/7.2; 348/836,
348/838, 553, 731; 343/872; D3/208; D10/104,
D10/106, 75; 123/179.2; 340/825; 455/90.1,
455/155.1

See application file for complete search history.

(56) **References Cited**

U.S. PATENT DOCUMENTS

D301,243 S * 5/1989 Chino D14/217
D396,691 S * 8/1998 Shen D13/147
D404,713 S * 1/1999 Hsiang D13/147

D408,364 S * 4/1999 Hsiang D13/151
D409,985 S * 5/1999 Hsiang D13/151
D443,586 S * 6/2001 Sakasegawa D13/123
D452,681 S * 1/2002 Inoue D13/151
D464,965 S * 10/2002 Wang et al. D14/358
D506,445 S * 6/2005 Mahoney D13/154

* cited by examiner

Primary Examiner—Raphael Barkai

Assistant Examiner—Randall H. Gholson

(74) *Attorney, Agent, or Firm*—Watov & Knipes, P.C.;
Kenneth Watov

(57) **CLAIM**

I claim the ornamental design for a video amplifier, as shown and described.

DESCRIPTION

FIG. 1 is a top perspective view of a video amplifier showing my new design;

FIG. 2 is a bottom perspective view thereof;

FIG. 3 is a top plan view thereof;

FIG. 4 is a bottom plan view thereof;

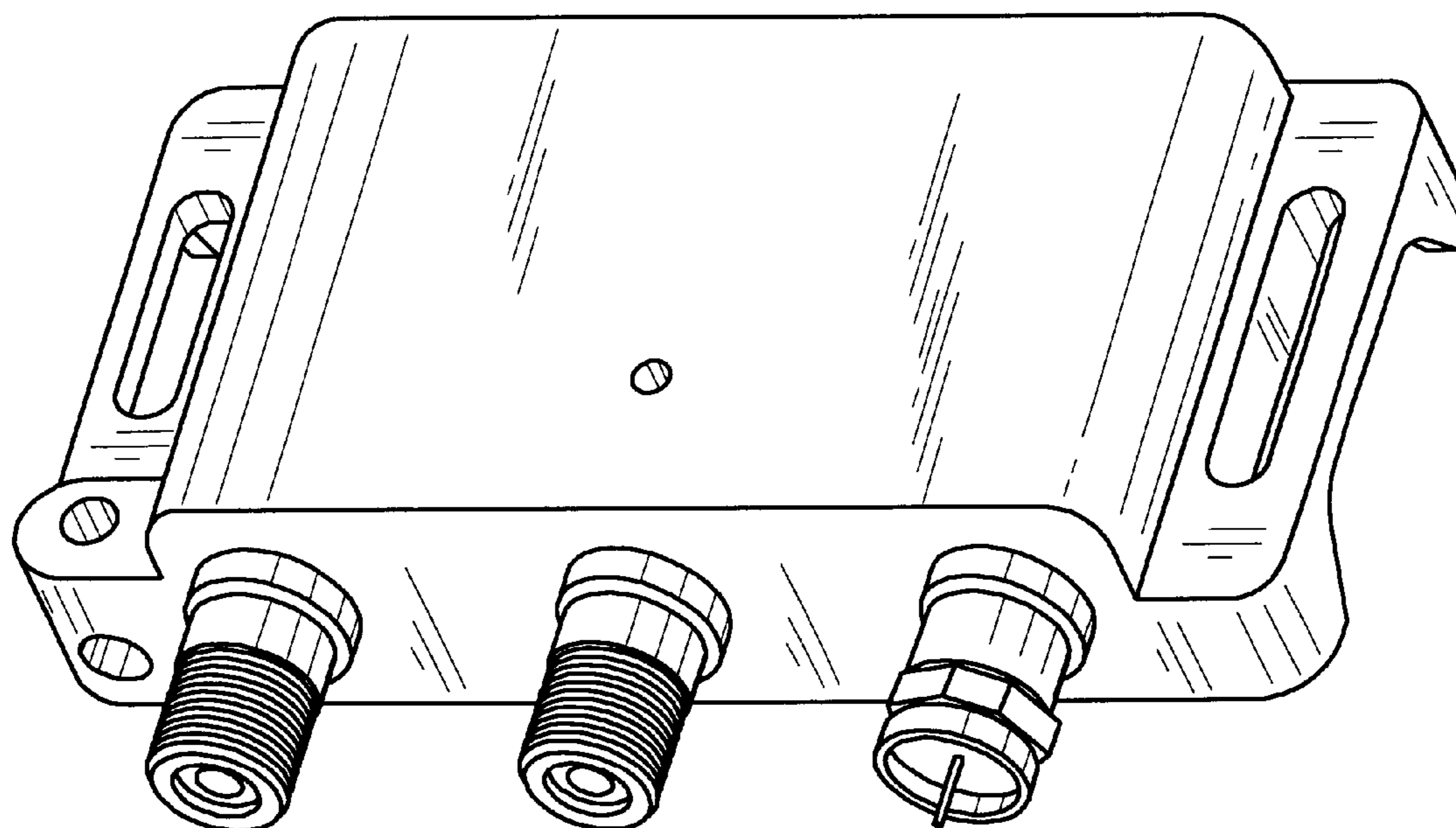
FIG. 5 is a right side elevational view thereof;

FIG. 6 is a left side elevational view thereof;

FIG. 7 is a front elevational view thereof; and,

FIG. 8 is a back elevational view thereof.

1 Claim, 6 Drawing Sheets



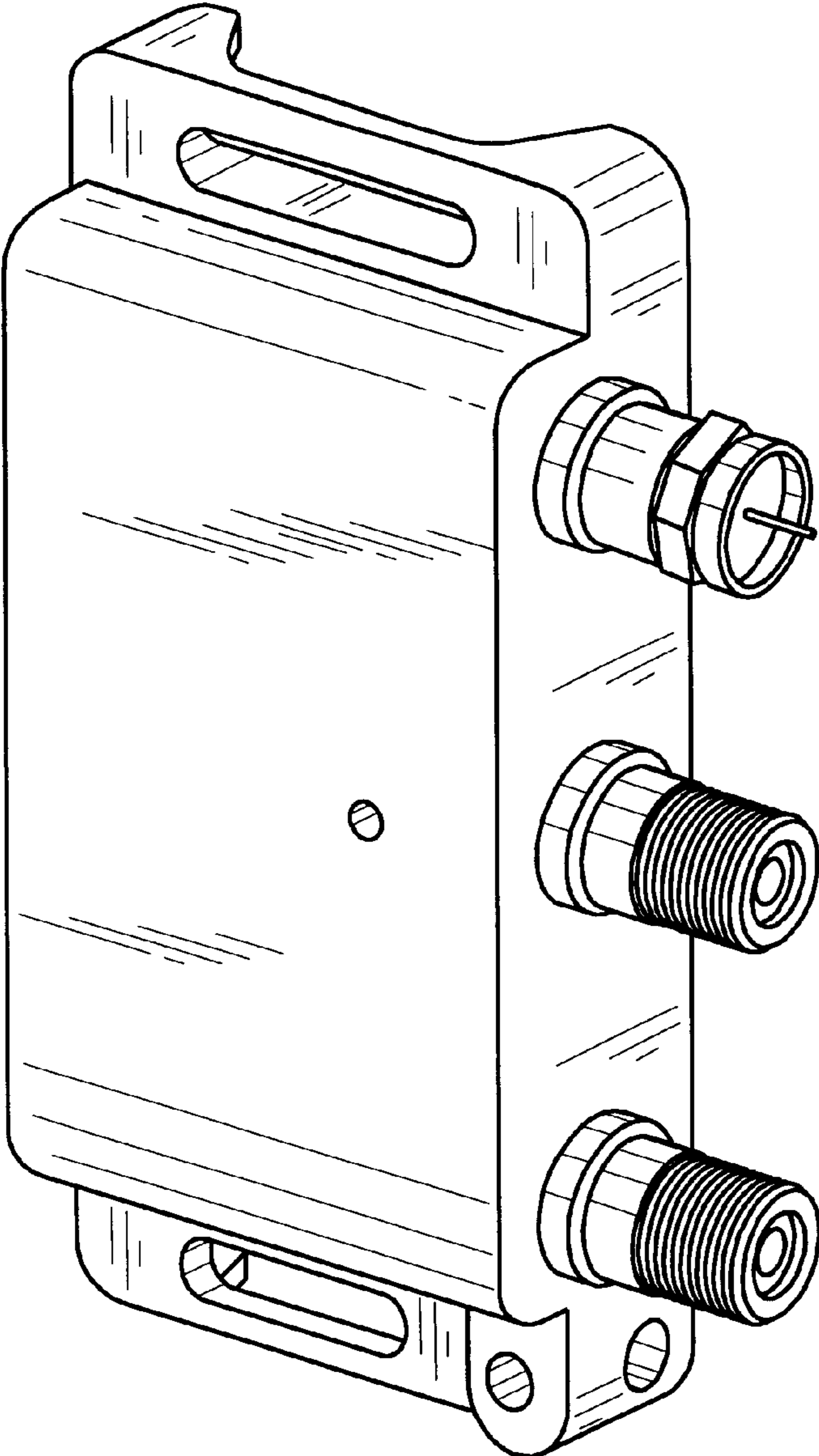


FIG. 1

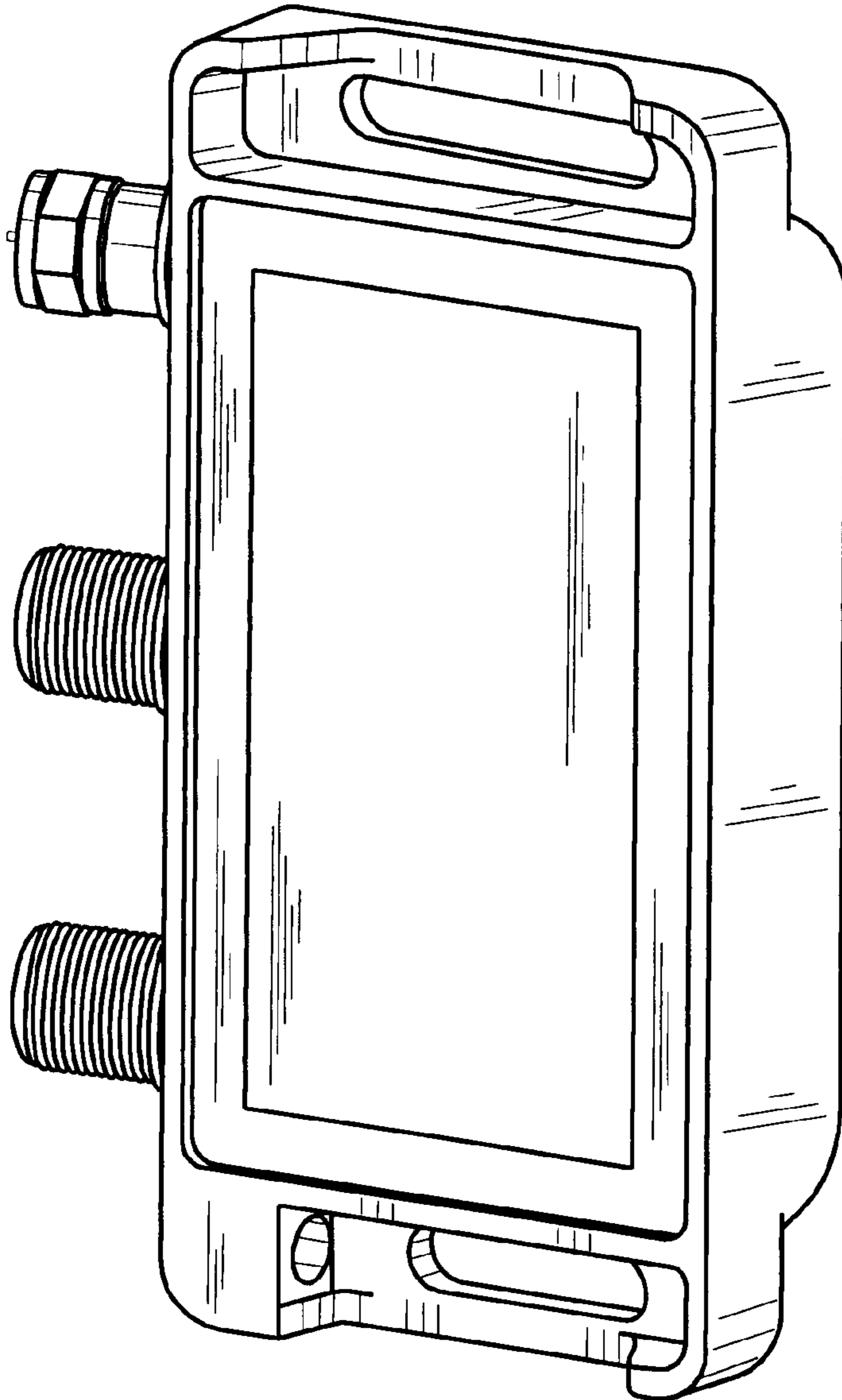


FIG. 2

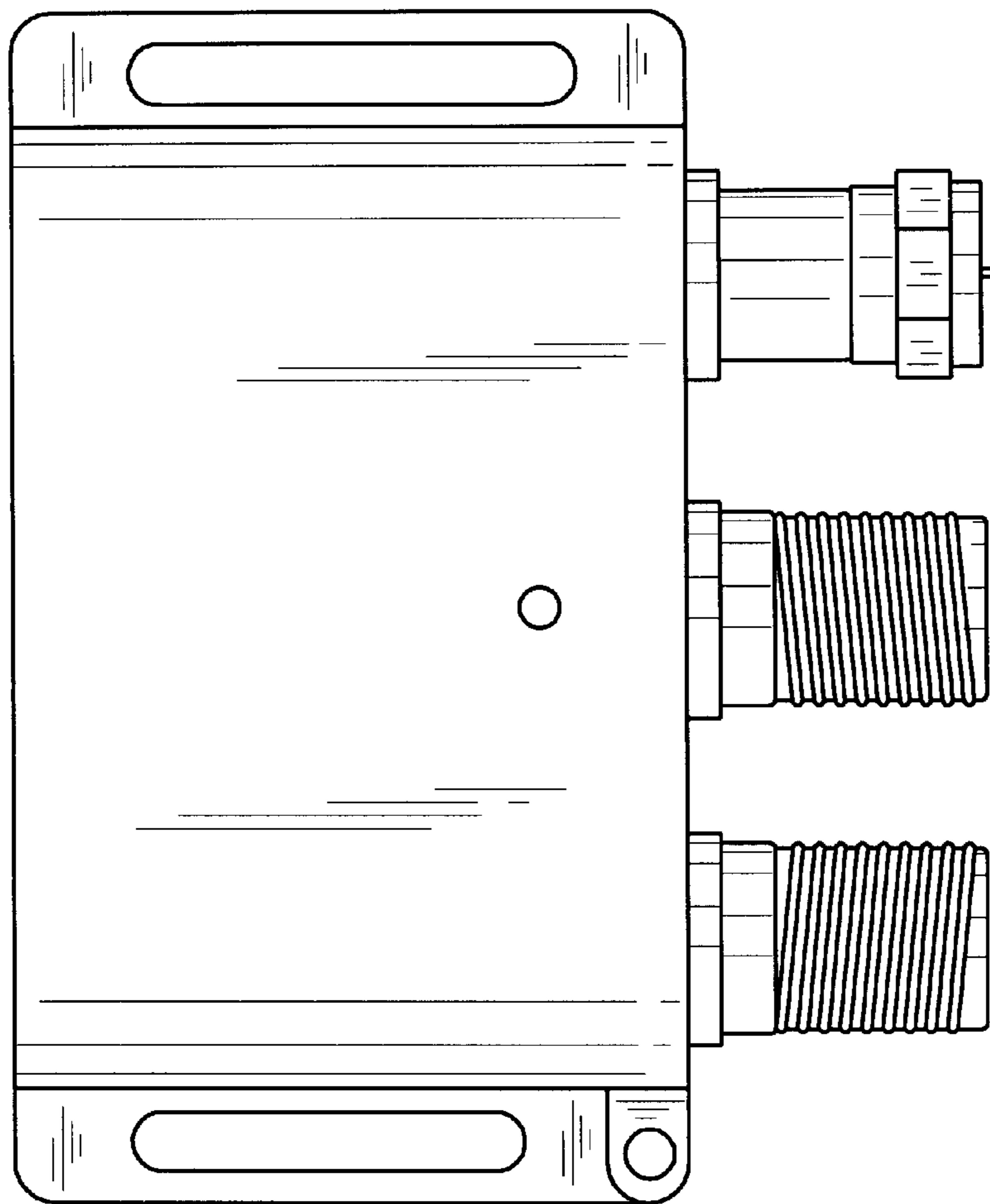


FIG. 3

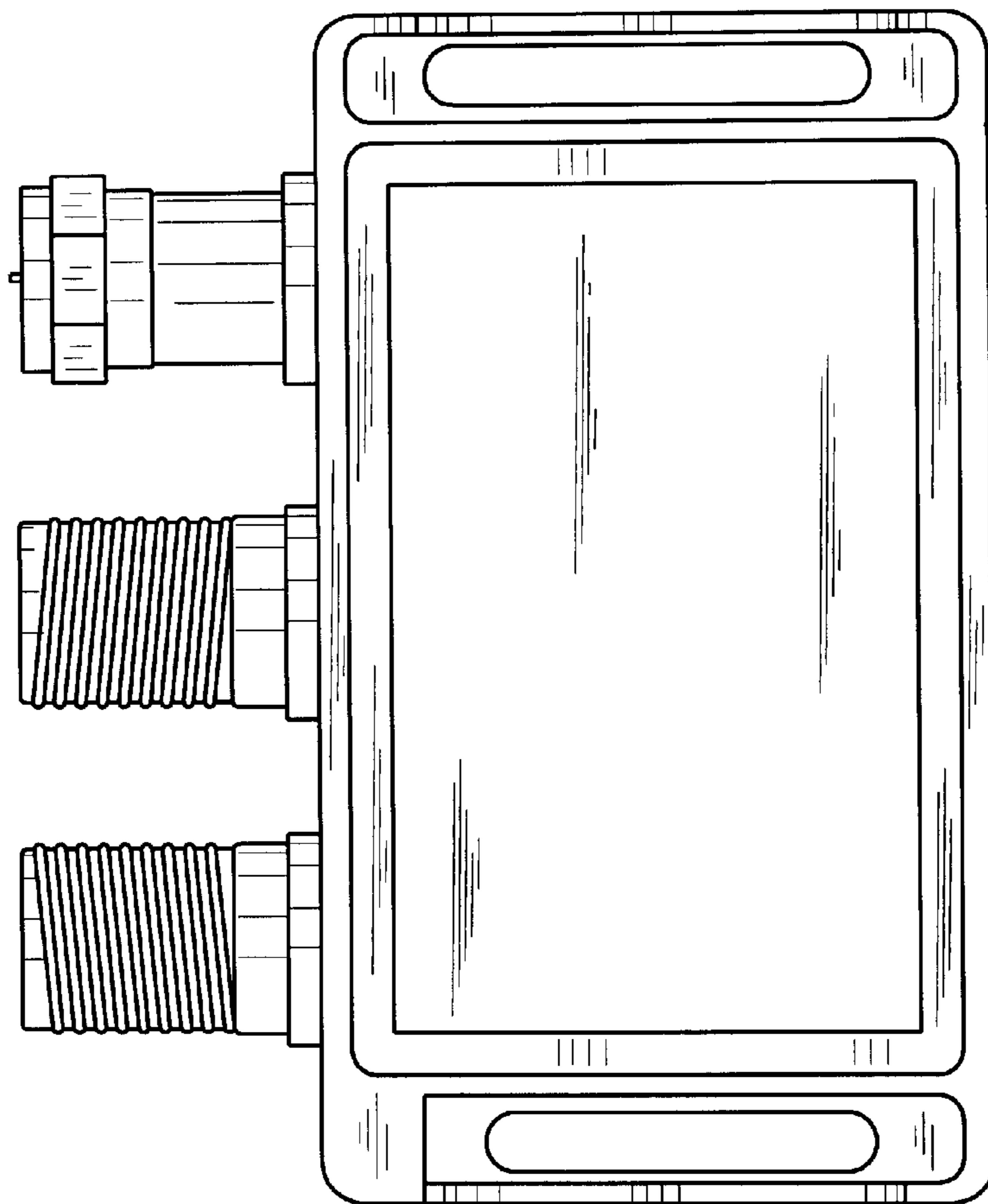


FIG. 4

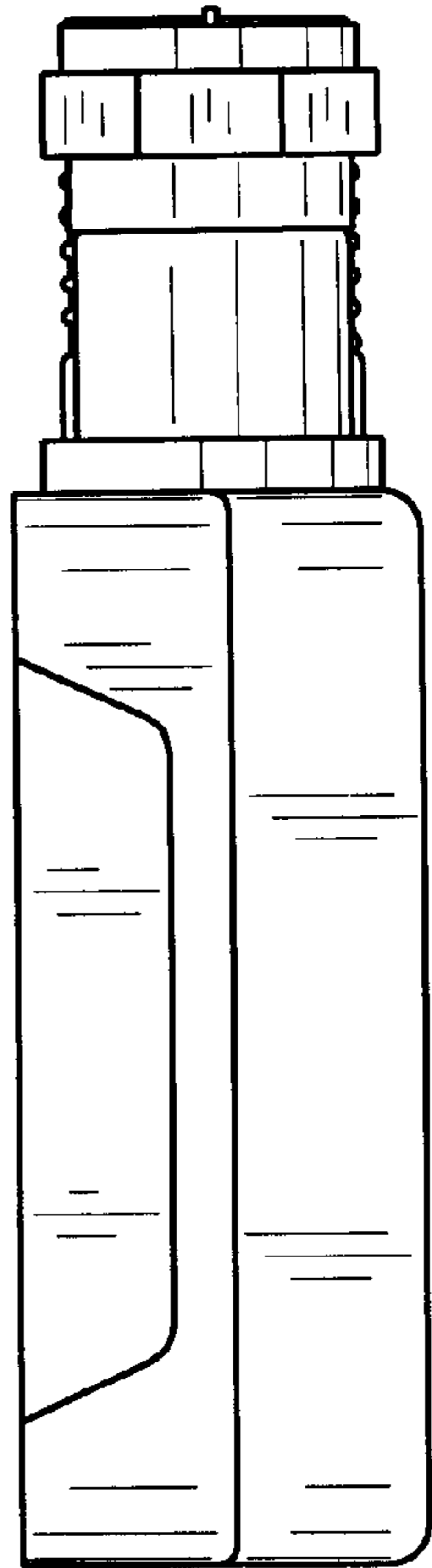


FIG. 5

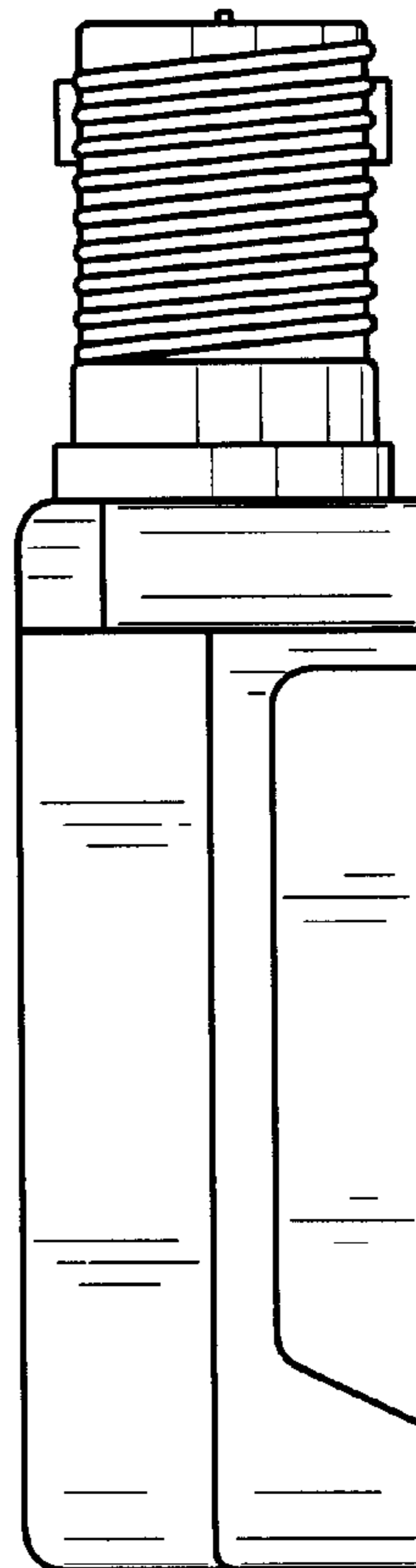


FIG. 6

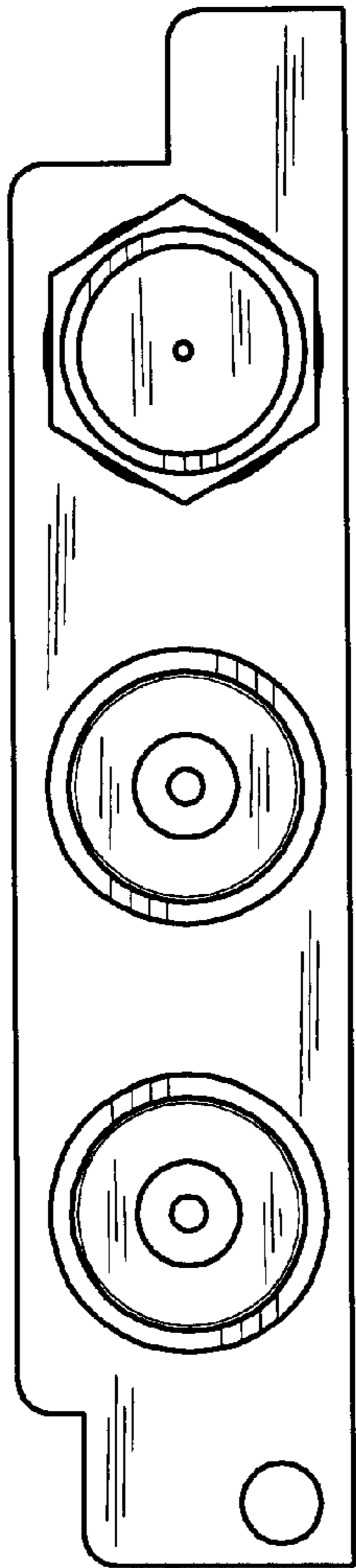


FIG. 7

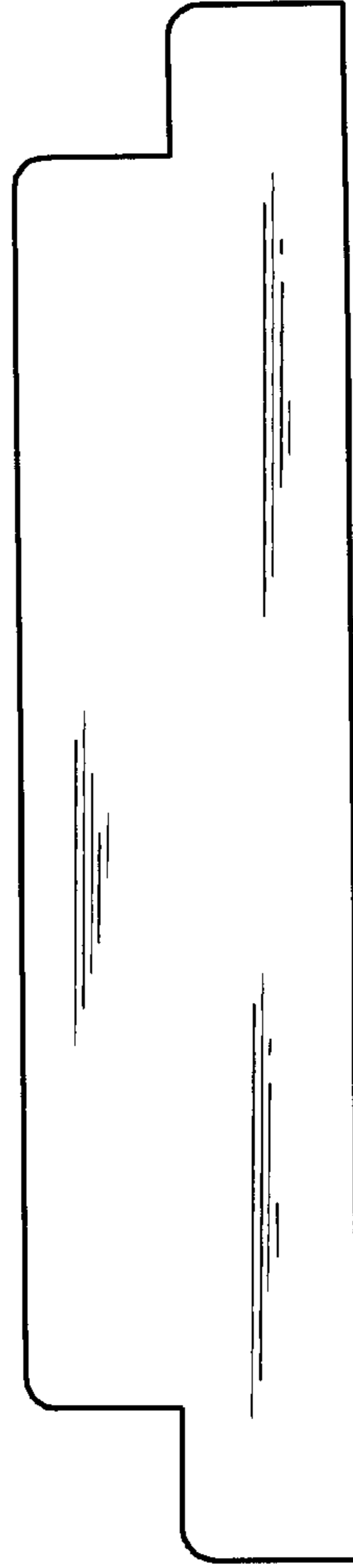


FIG. 8