



US00D532377S

(12) **United States Design Patent** (10) **Patent No.:** **US D532,377 S**
Blake, Jr. et al. (45) **Date of Patent:** **** Nov. 21, 2006**

(54) **POWER SURGE PROTECTOR**

(75) Inventors: **Arthur Joseph Blake, Jr.**, Leominster, MA (US); **Jason Allen Morris**, Melrose, MA (US)

(73) Assignee: **American Power Conversion Corporation**, West Kingston, RI (US)

(**) Term: **14 Years**

(21) Appl. No.: **29/237,573**

(22) Filed: **Sep. 1, 2005**

Related U.S. Application Data

(62) Division of application No. 29/193,154, filed on Nov. 3, 2003, now Pat. No. Des. 511,140.

(51) **LOC (8) Cl.** **13-03**

(52) **U.S. Cl.** **D13/139.6**

(58) **Field of Classification Search** .. D13/137.1-139.8, D13/124, 160, 162, 164, 178; 361/118, 119; 439/106-108, 188, 535, 650-654
See application file for complete search history.

(56) **References Cited**

U.S. PATENT DOCUMENTS

D285,435	S	*	9/1986	Hoehne	D13/139.8
D327,873	S	*	7/1992	Luu	D13/139.8
5,350,310	A	*	9/1994	Chen	439/188
D400,504	S	*	11/1998	Stekelenburg	D13/139.6
D400,505	S	*	11/1998	Yu	D13/139.6
D402,963	S	*	12/1998	Parshad	D13/139.6
D439,562	S	*	3/2001	Veino et al.	D13/139.8
D445,403	S	*	7/2001	Veino et al.	D13/154
D489,685	S	*	5/2004	Yu	D13/139.8

D511,140	S	*	11/2005	Blake et al.	D13/139.8
D514,001	S	*	1/2006	Echito et al.	D10/40
2005/0105235	A1	*	5/2005	Yu	361/118

* cited by examiner

Primary Examiner—Ian Simmons

Assistant Examiner—Rosemary K. Tarcza

(74) *Attorney, Agent, or Firm*—Mintz, Levin, Cohn, Ferris Glovsky and Popeo, P.C.

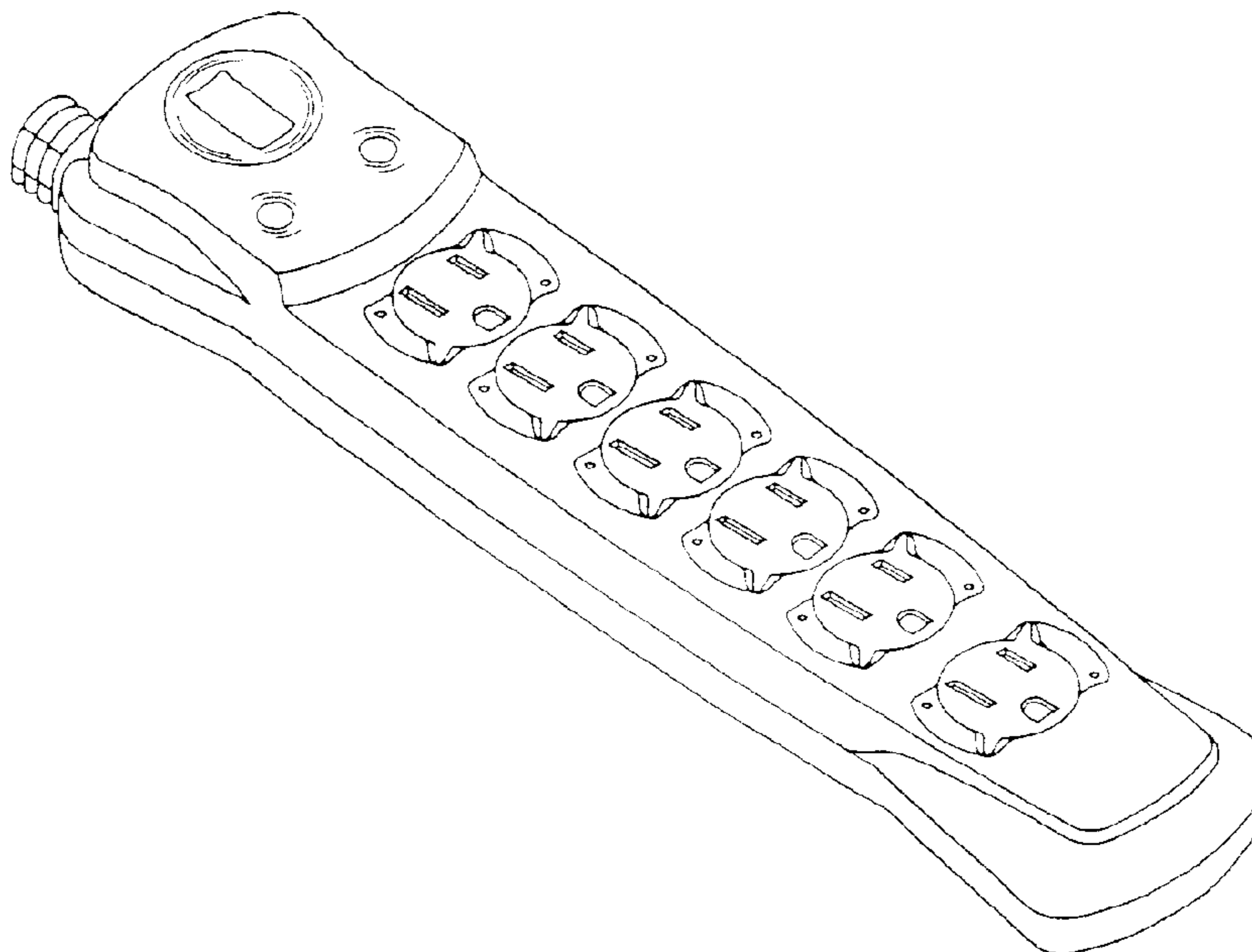
(57) **CLAIM**

The ornamental design for a power surge protector, as shown and described.

DESCRIPTION

FIG. 1 is a perspective view of one aspect of our new design; FIG. 2 is a front view thereof; FIG. 3 is a back view thereof; FIG. 4 is a left side view thereof; FIG. 5 is a right side view thereof; FIG. 6 is a first end view thereof; FIG. 7 is a second end view thereof; FIG. 8 is a perspective view of another aspect of our new design; FIG. 9 is a front view thereof; FIG. 10 is a back view thereof; FIG. 11 is a left side view thereof; FIG. 12 is a right side view thereof; FIG. 13 is first end view thereof; and, FIG. 14 is a second end view thereof.
The ornamental design that is claimed is shown in solid lines in the drawings. The broken lines in the drawings are for illustrative purposes only and form no part of the claimed design.

1 Claim, 10 Drawing Sheets



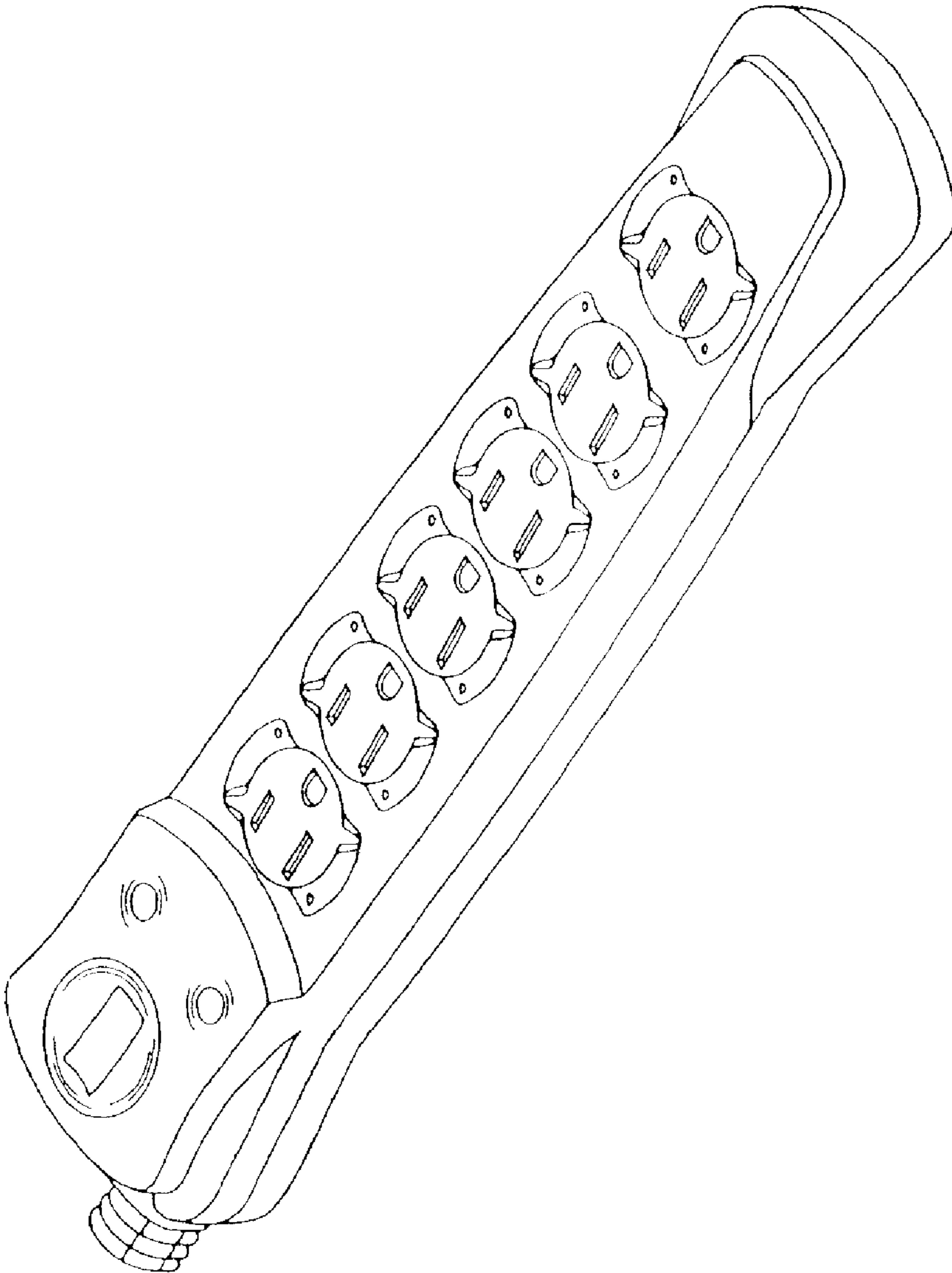


Figure 1

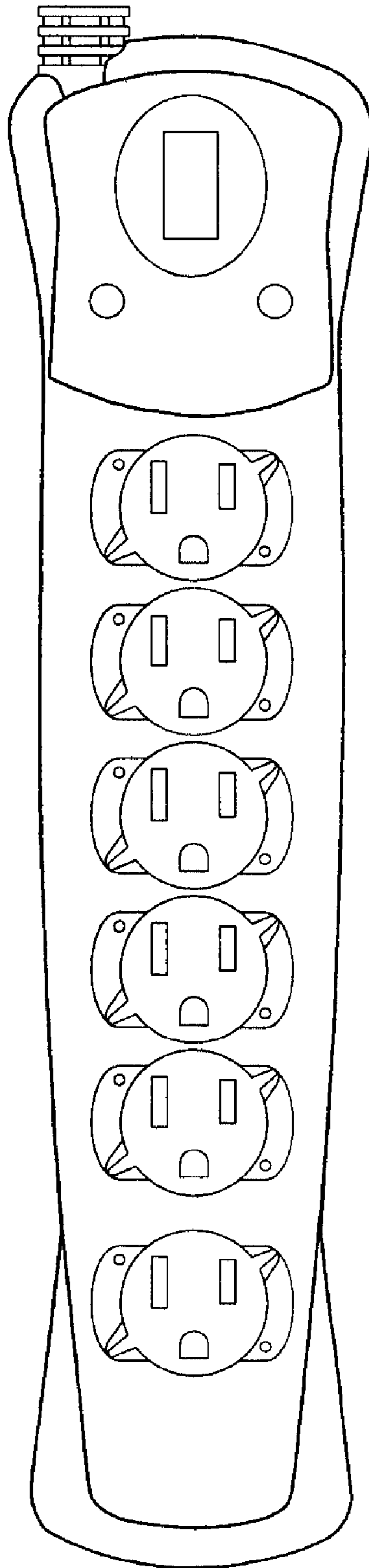


Fig. 2

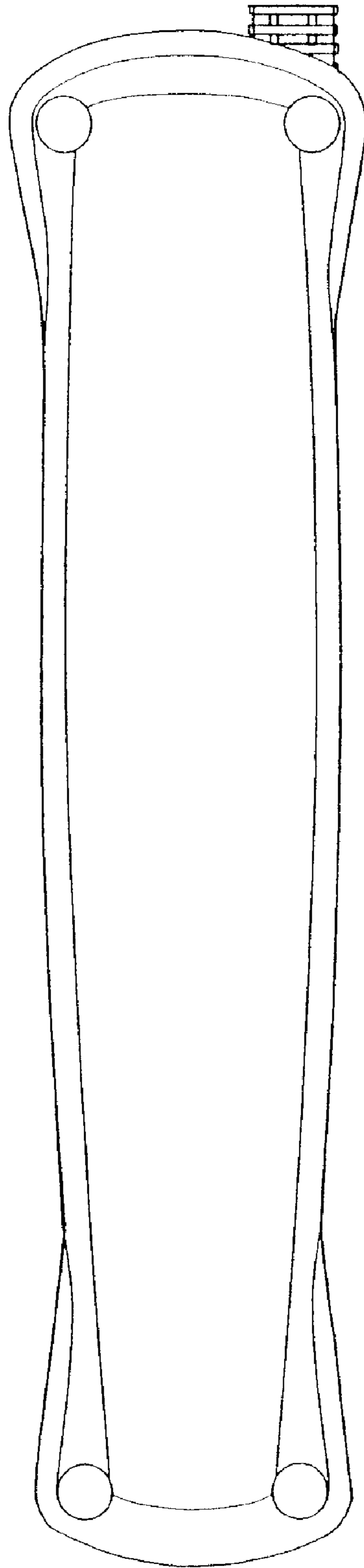


Figure 3

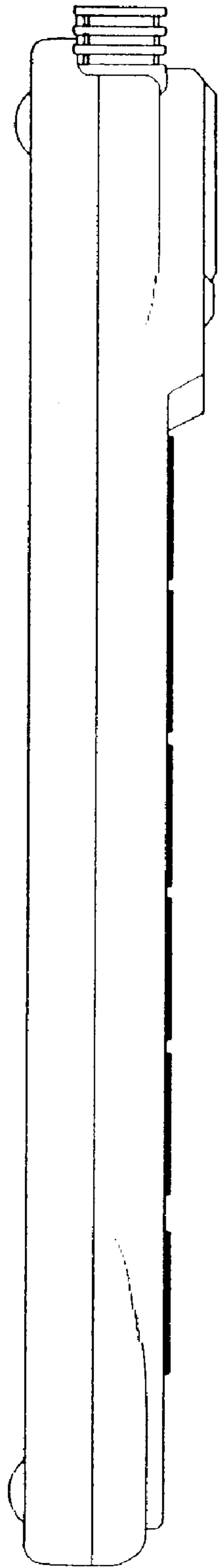


Figure 4

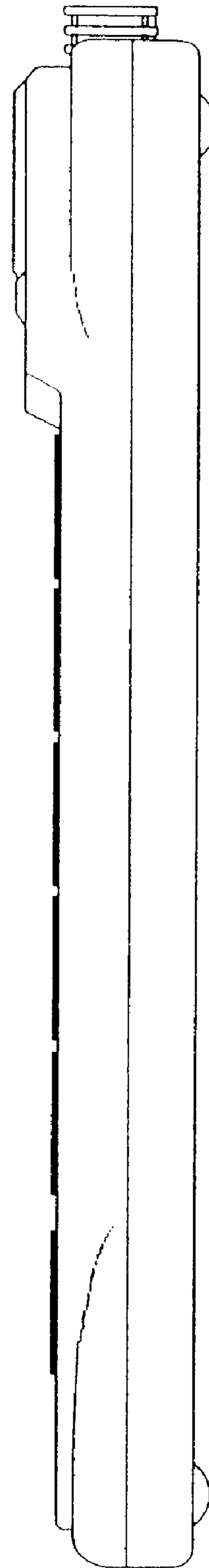


Figure 5

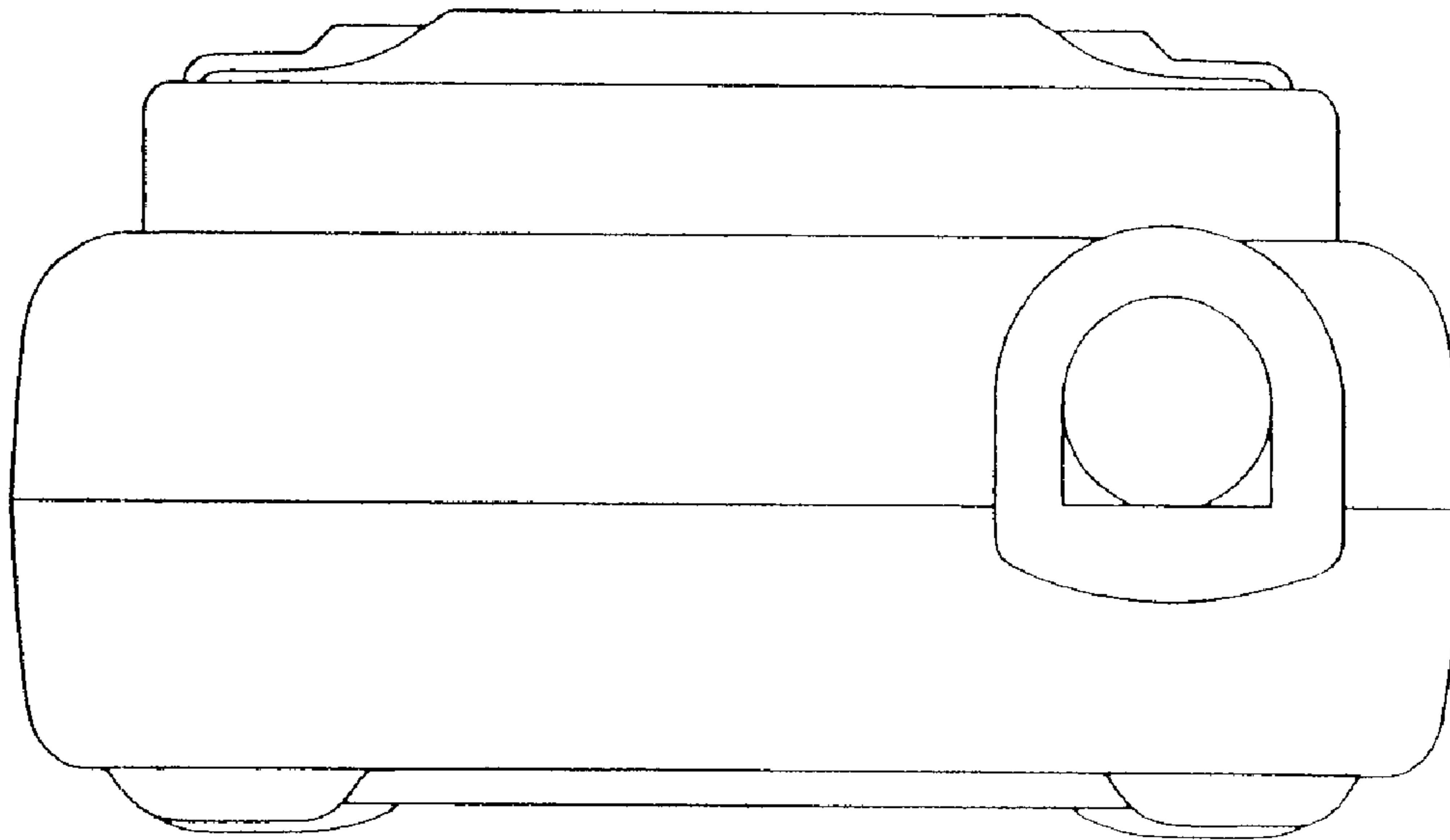


Figure 6

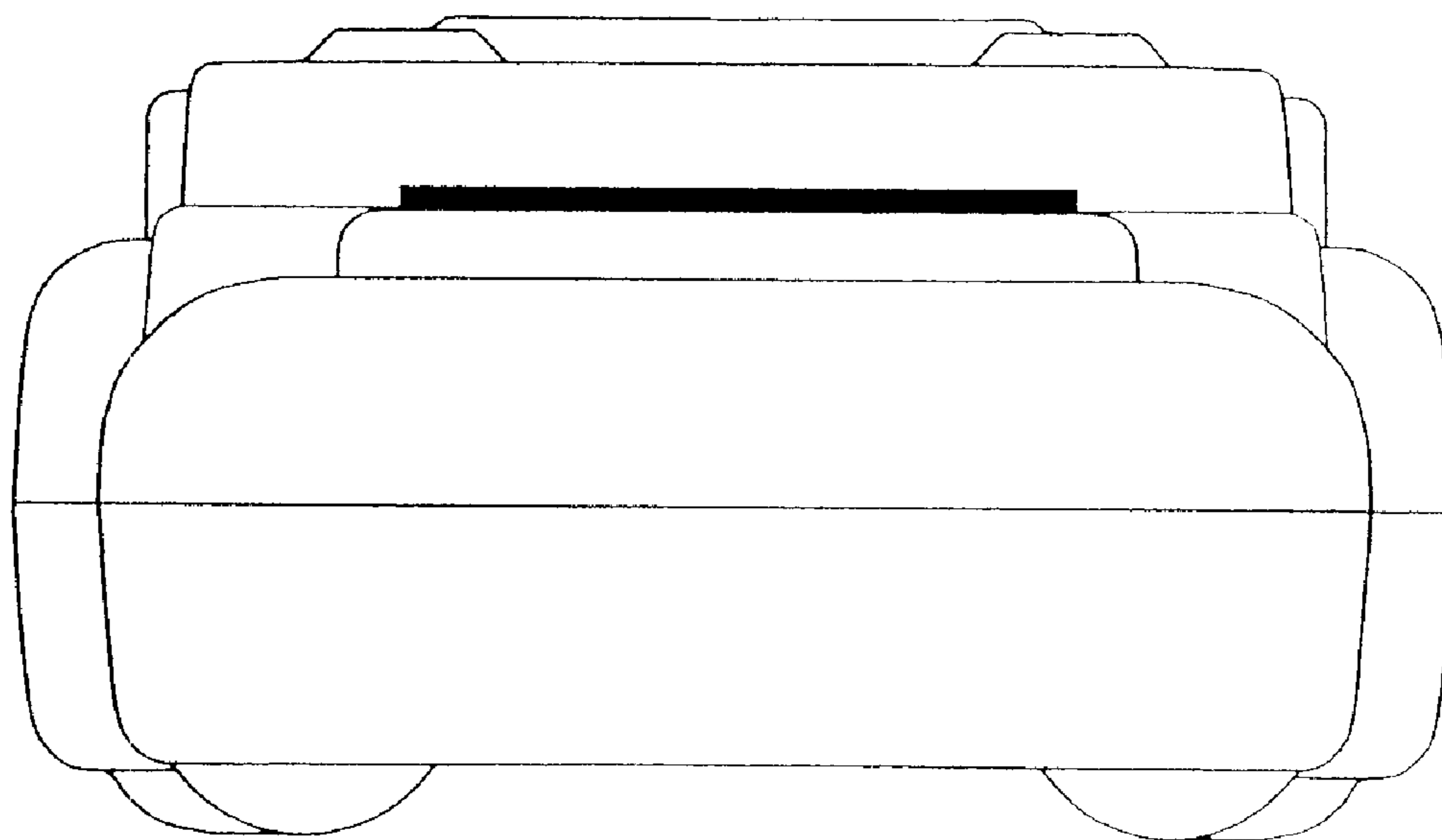


Figure 7

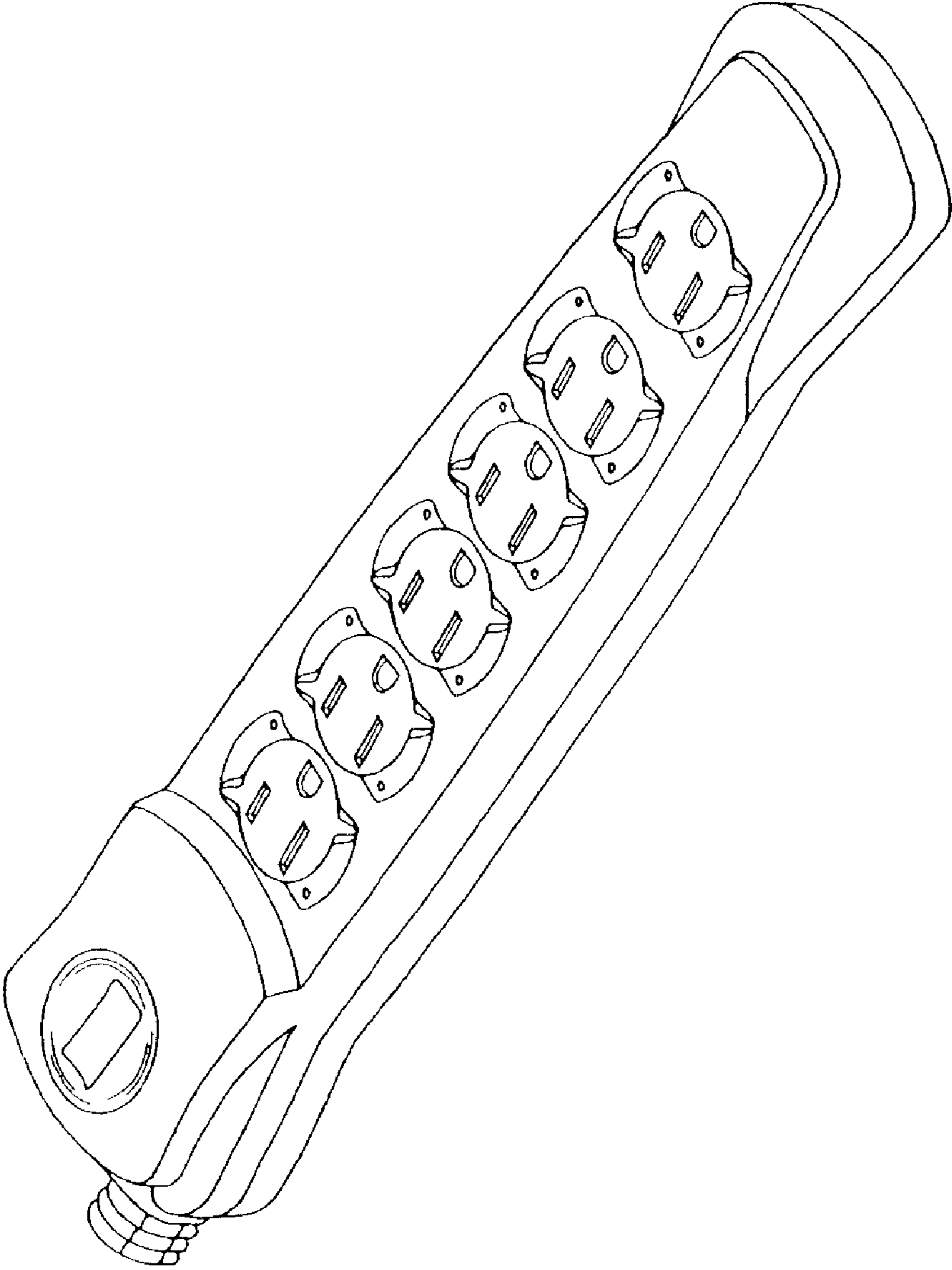


Figure 8

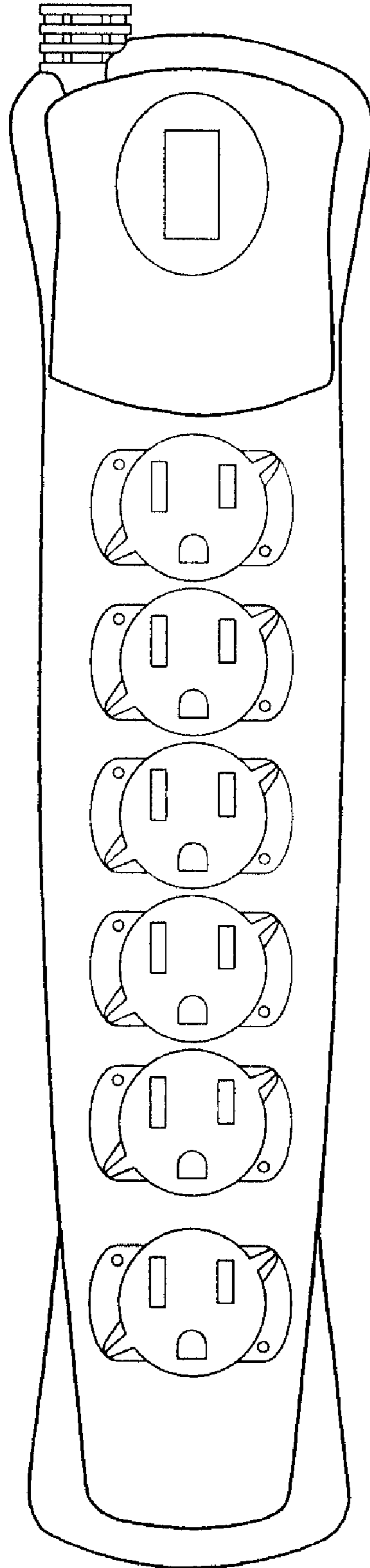


Fig. 9

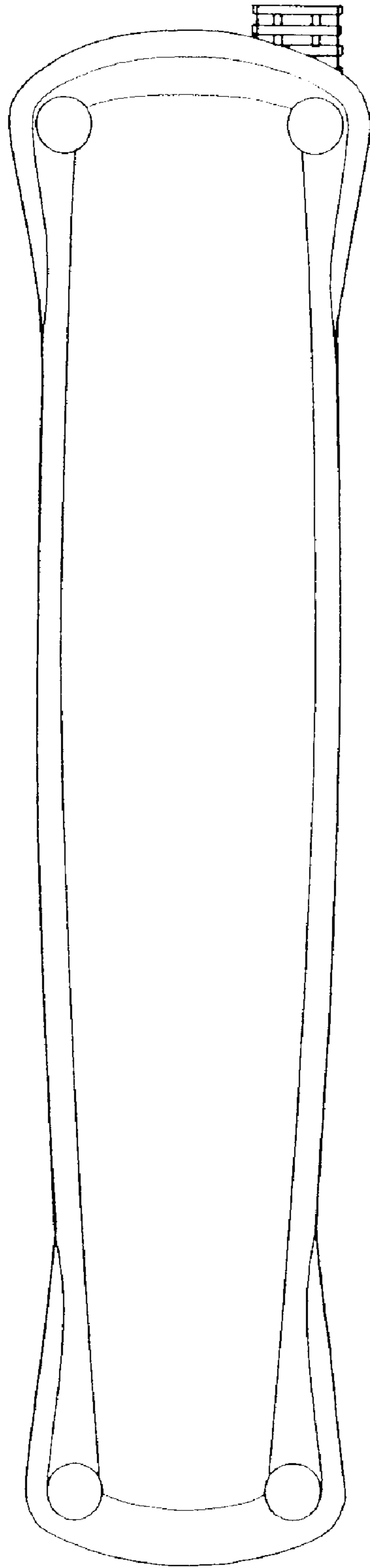


Figure 10

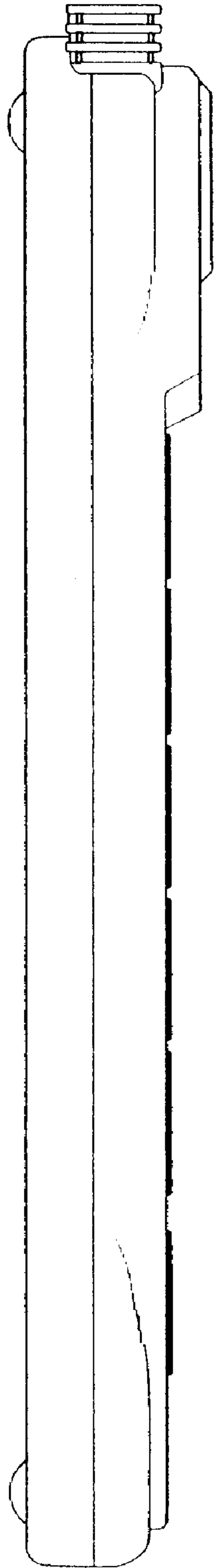


Figure 11

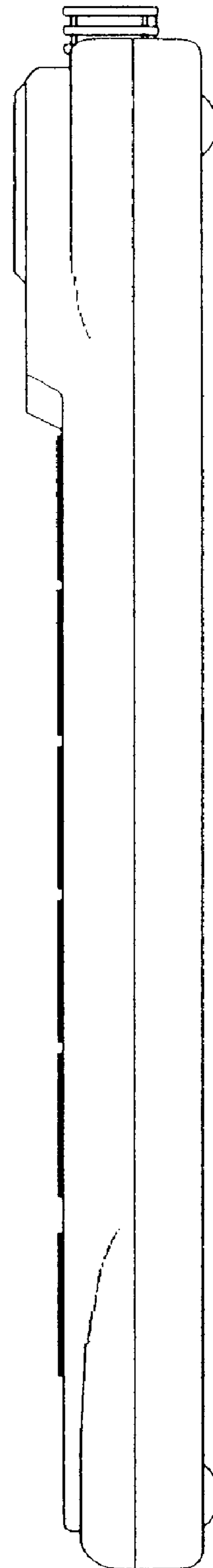


Figure 12

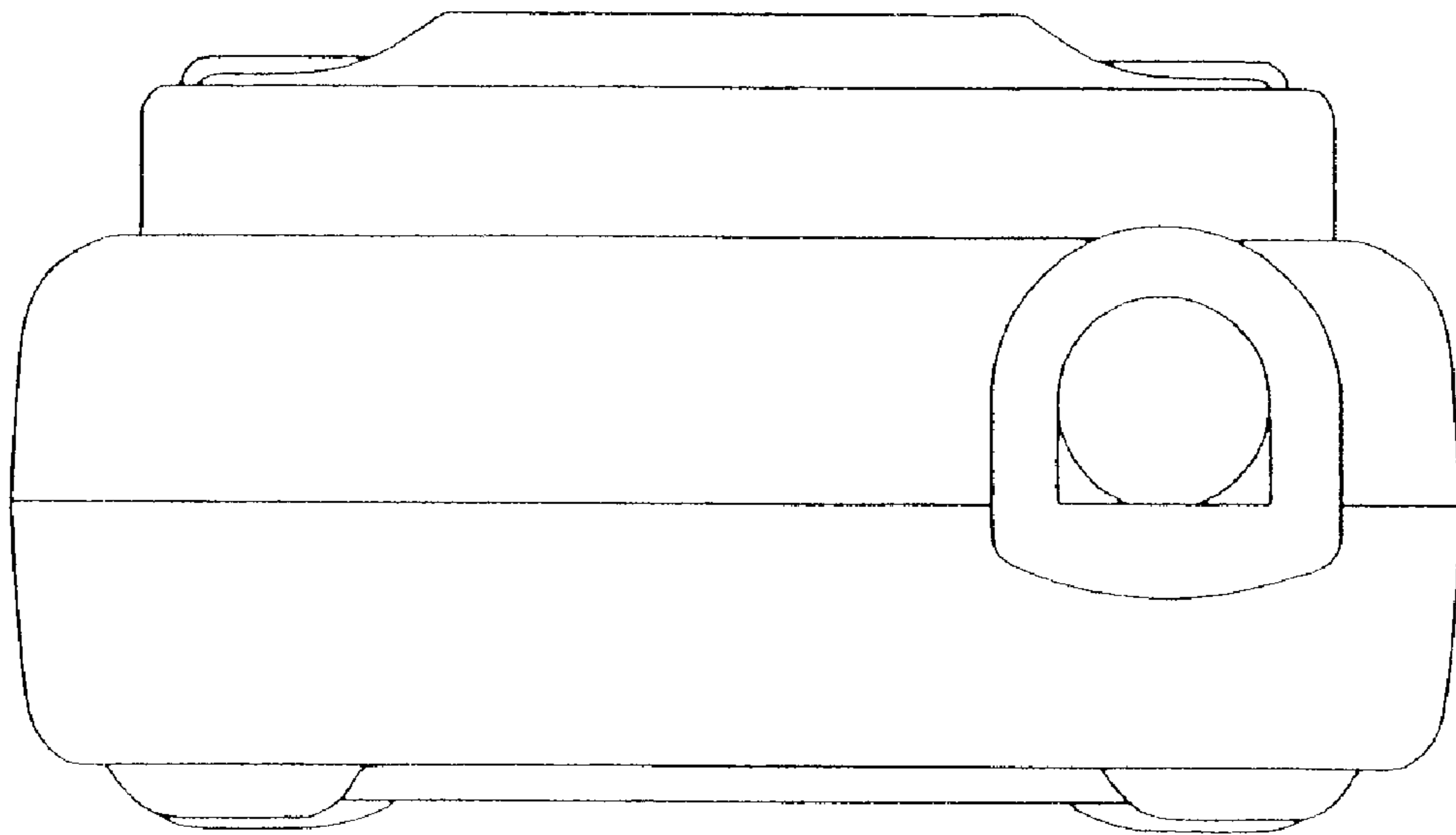


Figure 13

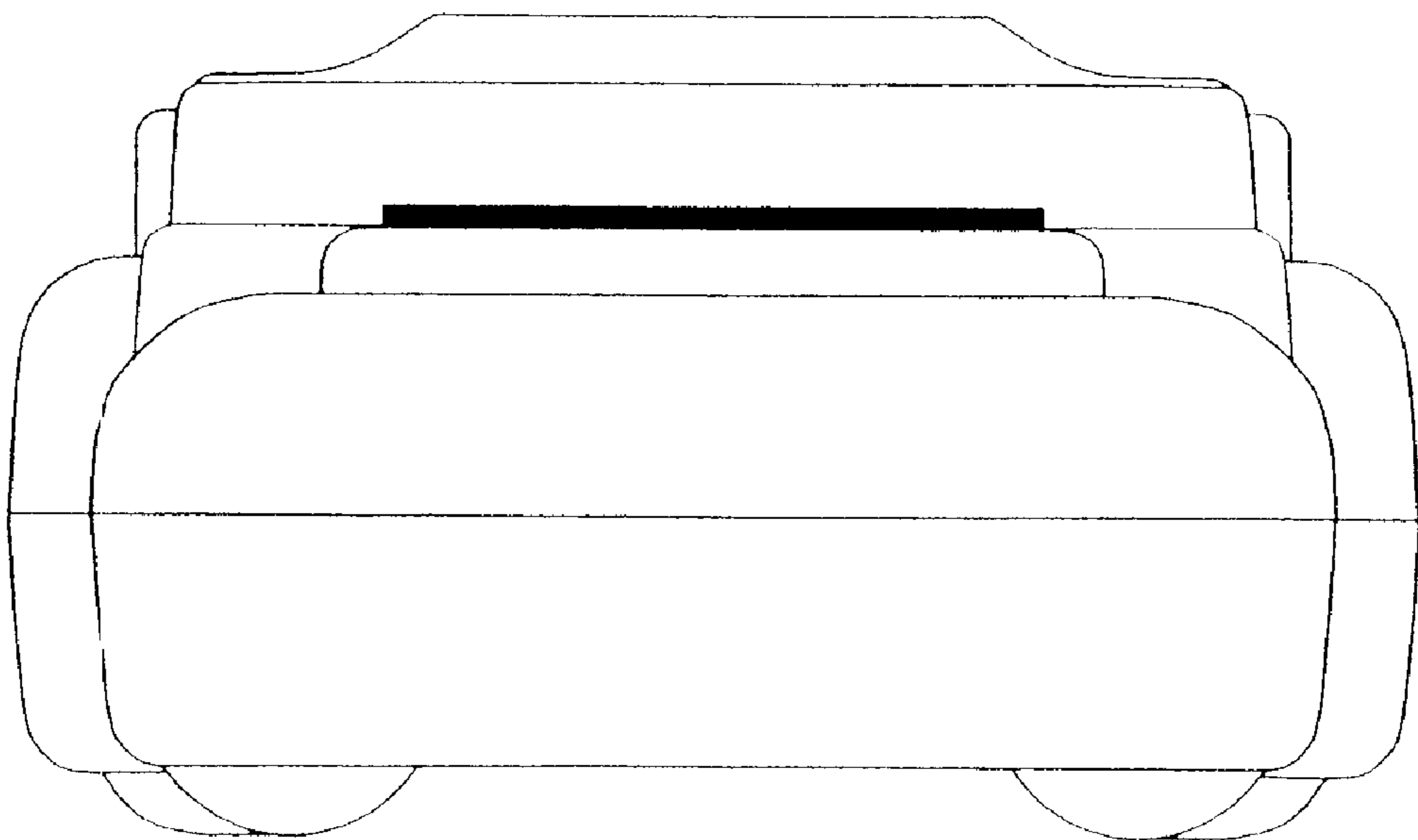


Figure 14