

US00D532371S

(12) **United States Design Patent**
Akita

(10) **Patent No.:** **US D532,371 S**

(45) **Date of Patent:** **** Nov. 21, 2006**

(54) **BATTERY CHARGER**

(75) Inventor: **Miho Akita**, Tokyo (JP)

(73) Assignee: **Sony Corporation**, Tokyo (JP)

(**) Term: **14 Years**

(21) Appl. No.: **29/242,293**

(22) Filed: **Nov. 9, 2005**

(30) **Foreign Application Priority Data**

Aug. 23, 2005 (JP) D2005-024309

(51) **LOC (8) Cl.** **13-02**

(52) **U.S. Cl.** **D13/108**

(58) **Field of Classification Search** D13/107-110,
D13/118-119, 184; D14/251, 253, 432, 434;
320/107-115

See application file for complete search history.

(56) **References Cited**

U.S. PATENT DOCUMENTS

| | | | | | |
|-------------|---|---------|----------------|-------|---------|
| D122,945 S | * | 10/1940 | Quirk | | D13/107 |
| D136,758 S | * | 11/1943 | Casanov | | D13/119 |
| 2,410,527 A | * | 11/1946 | Schinske | | 320/113 |
| D147,151 S | * | 7/1947 | Schinske | | D13/107 |
| 4,161,568 A | * | 7/1979 | Lund | | 429/99 |
| D311,373 S | * | 10/1990 | Morisse et al. | | D13/119 |
| D361,980 S | * | 9/1995 | Chen | | D13/119 |
| D374,425 S | * | 10/1996 | Crane | | D13/107 |
| D408,351 S | * | 4/1999 | Shim | | D13/103 |

| | | | | | |
|-----------------|---|---------|---------------|-------|---------|
| D409,559 S | * | 5/1999 | Shim | | D13/103 |
| D434,371 S | | 11/2000 | Goto et al. | | |
| D460,054 S | * | 7/2002 | Jensen et al. | | D13/184 |
| D465,451 S | * | 11/2002 | Hirano et al. | | D13/107 |
| 2003/0193315 A1 | * | 10/2003 | Madjar et al. | | 320/112 |

OTHER PUBLICATIONS

Web page "PCGA-BC5" <http://www.sony.jp/ProductsPark/Consumer/PCOM/PCGA-BC5/index.html>, 1 sheet, Sony (Sep. 2005).

* cited by examiner

Primary Examiner—Ian Simmons

Assistant Examiner—Rosemary K. Tarcza

(74) *Attorney, Agent, or Firm*—Rader, Fishman & Grauer PLLC

(57) **CLAIM**

The ornamental design for a battery charger, as shown.

DESCRIPTION

FIG. 1 is a perspective view of a battery charger showing my new design;

FIG. 2 is a front elevational view thereof;

FIG. 3 is a rear elevational view thereof;

FIG. 4 is a left side elevational view thereof;

FIG. 5 is a right side elevational view thereof;

FIG. 6 is a top plan view thereof; and,

FIG. 7 is a bottom plan view thereof.

1 Claim, 7 Drawing Sheets

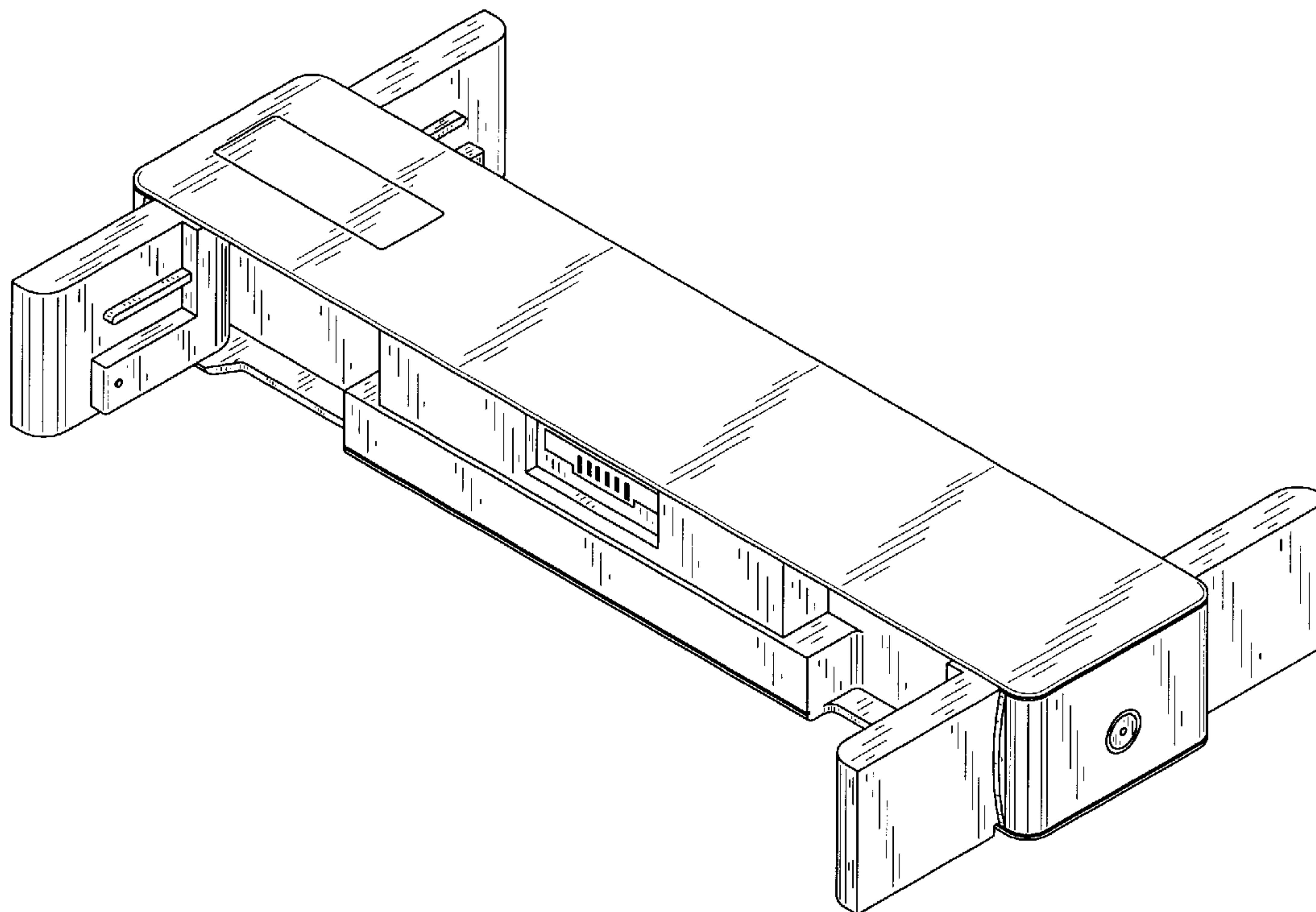


Fig.1

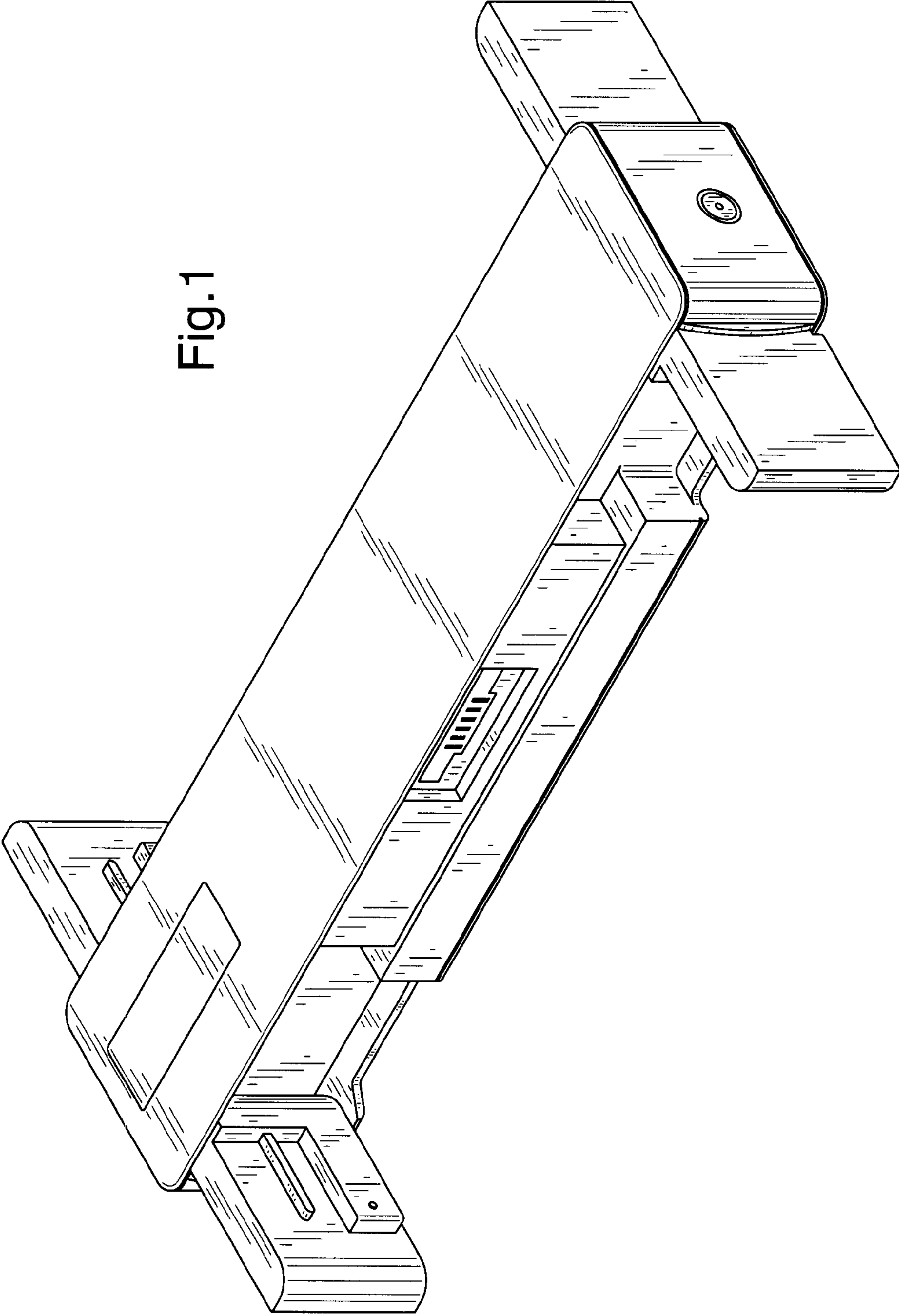


Fig.2

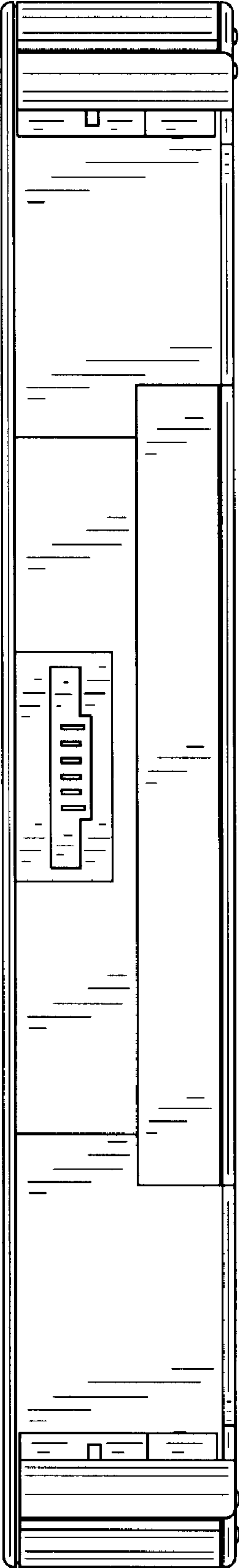


Fig.3

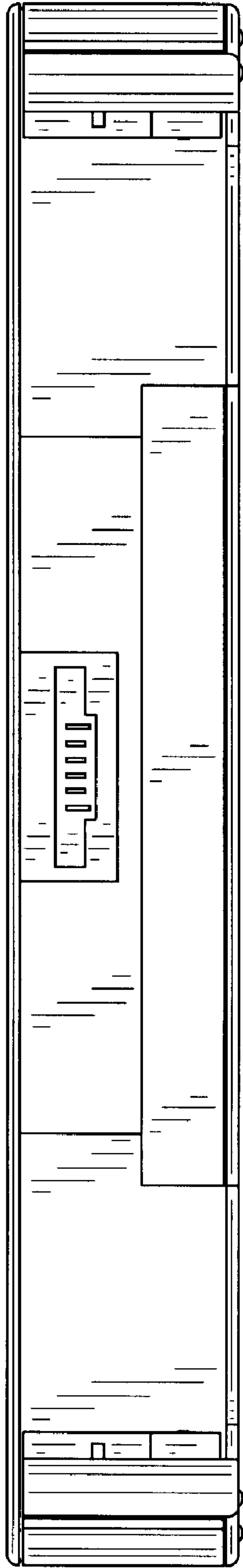


Fig.4

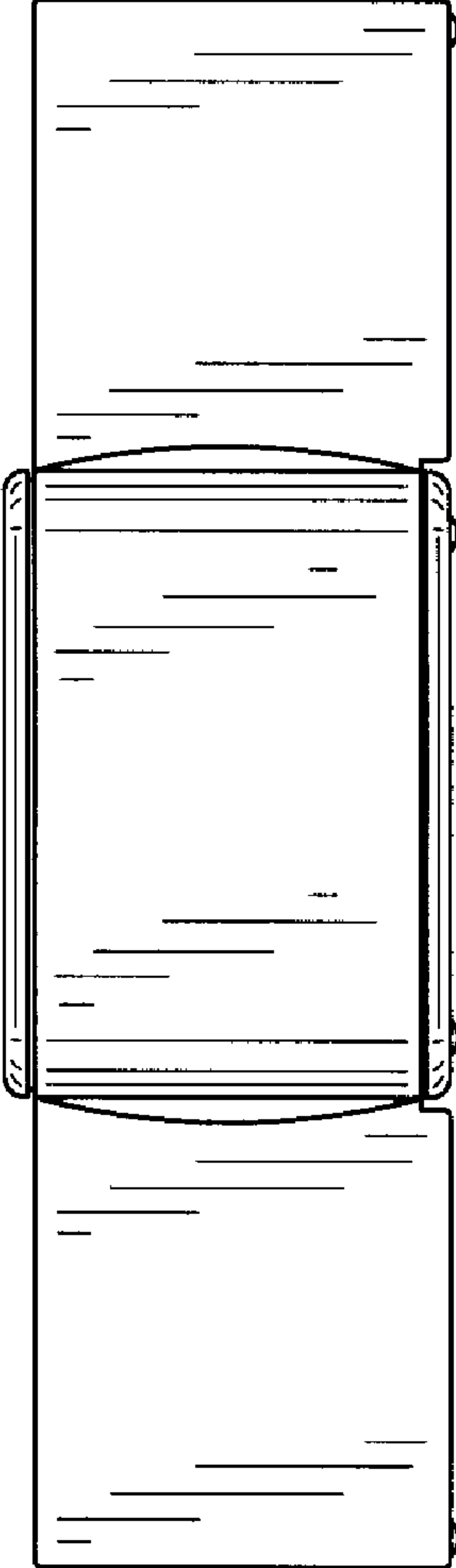
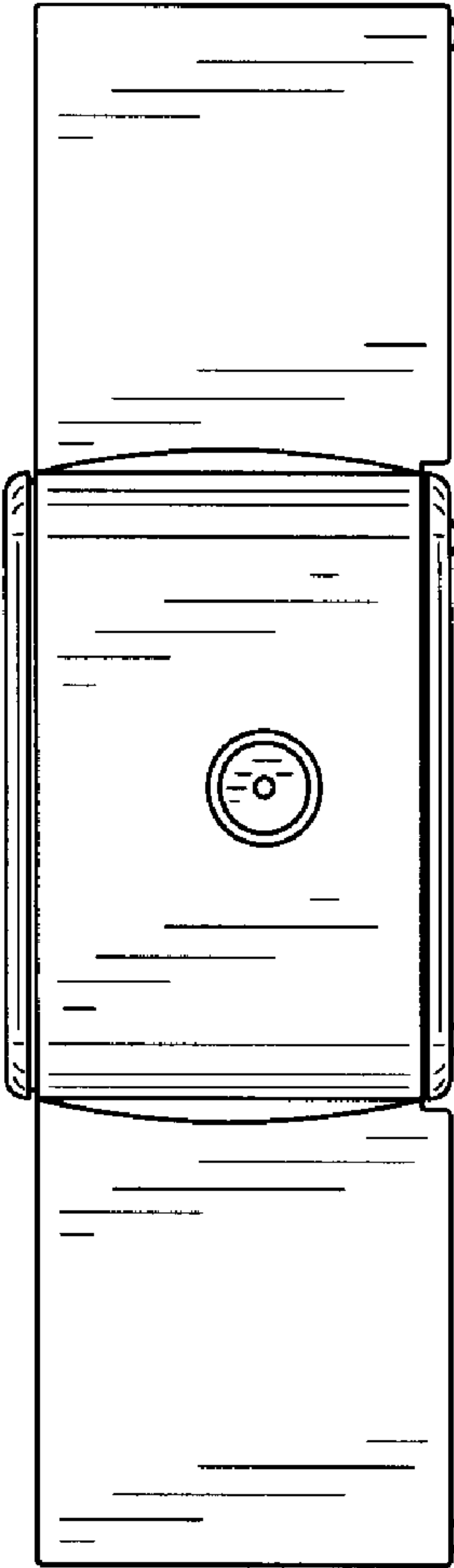


Fig.5



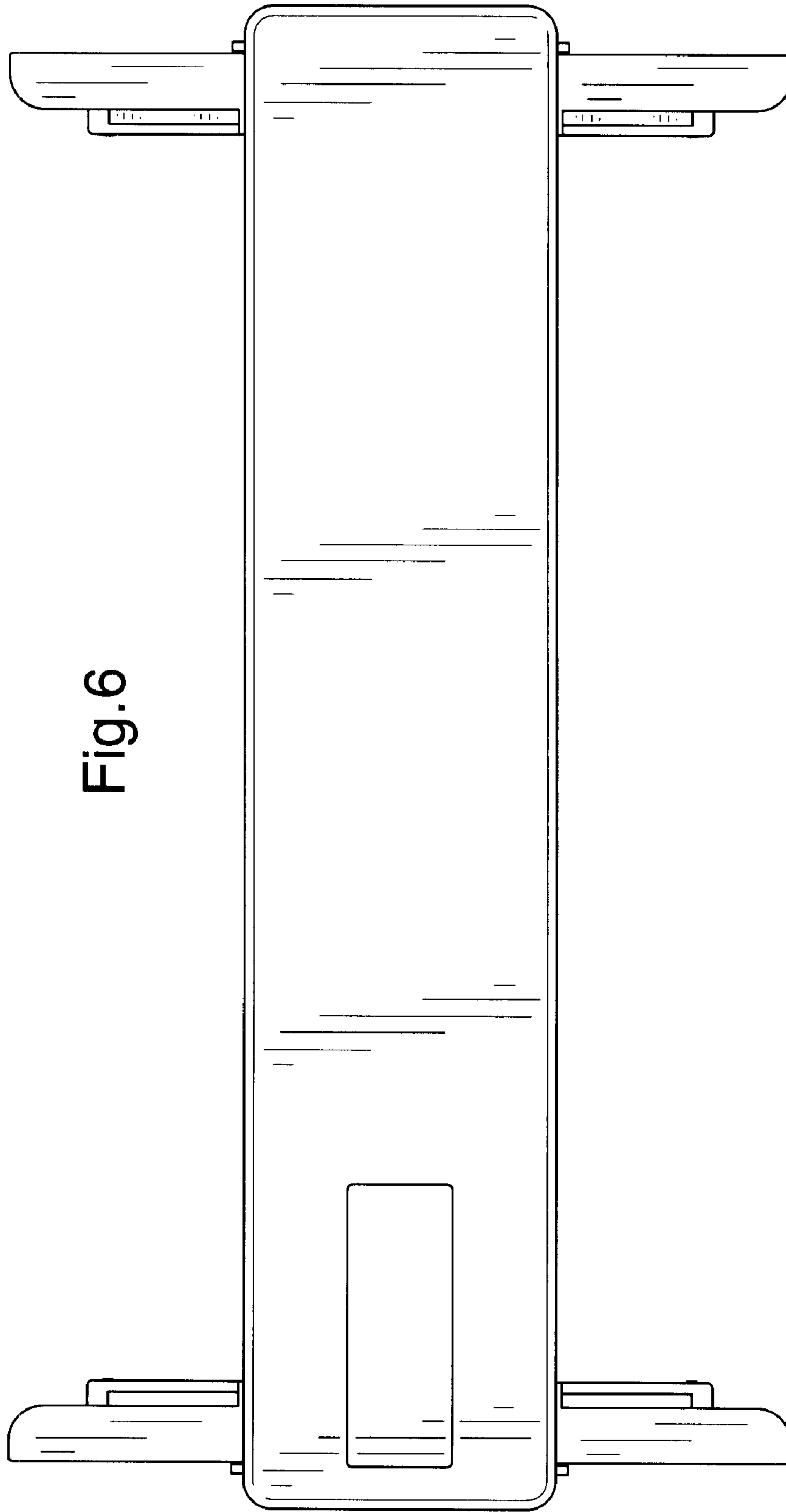


Fig. 6

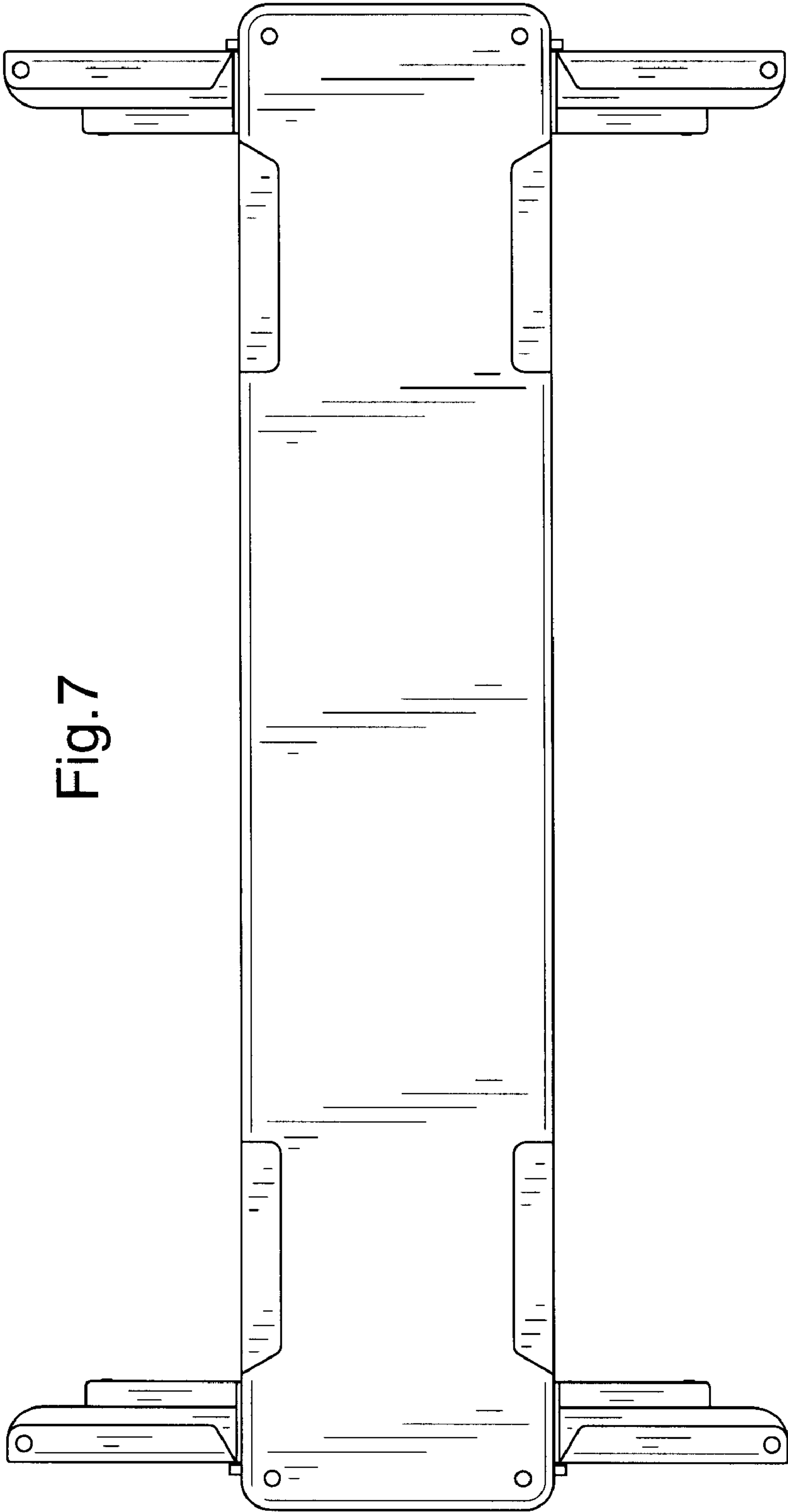


Fig. 7