



US00D532370S

(12) **United States Design Patent**
Shimizu

(10) **Patent No.:** **US D532,370 S**

(45) **Date of Patent:** **** Nov. 21, 2006**

(54) **BATTERY CHARGER**

(75) Inventor: **Minoru Shimizu**, Tokyo (JP)

(73) Assignee: **Sony Computer Entertainment Inc.**,
Tokyo (JP)

(**) Term: **14 Years**

(21) Appl. No.: **29/239,317**

(22) Filed: **Sep. 29, 2005**

(30) **Foreign Application Priority Data**

Mar. 31, 2005 (JP) D2005-009639

(51) **LOC (8) Cl.** **13-02**

(52) **U.S. Cl.** **D13/108**

(58) **Field of Classification Search** D13/107-110,
D13/118-119, 184; D14/251, 253, 432, 434;
320/107-115

See application file for complete search history.

(56) **References Cited**

U.S. PATENT DOCUMENTS

D306,594 S	*	3/1990	Taylor	D14/253
D328,276 S	*	7/1992	Koinuma	D13/107
5,357,185 A	*	10/1994	Chen	320/110
D361,763 S	*	8/1995	Nagele et al.	D14/144
D363,491 S	*	10/1995	Hellier et al.	D14/243
D385,530 S	*	10/1997	Hames et al.	D13/107

D399,821 S	*	10/1998	Tyneski et al.	D13/118
D408,418 S	*	4/1999	Pescetto et al.	D14/253
D417,189 S	*	11/1999	Amero et al.	D13/107
D440,202 S	*	4/2001	Heun	D13/107
D472,896 S	*	4/2003	Peiker	D14/253
D486,785 S		2/2004	Shindo		
6,774,605 B1	*	8/2004	Usui et al.	320/112
D520,946 S	*	5/2006	Nasu	D13/108

* cited by examiner

Primary Examiner—Ian Simmons

Assistant Examiner—Rosemary K. Tarcza

(74) *Attorney, Agent, or Firm*—Rader, Fishman & Grauer
PLLC

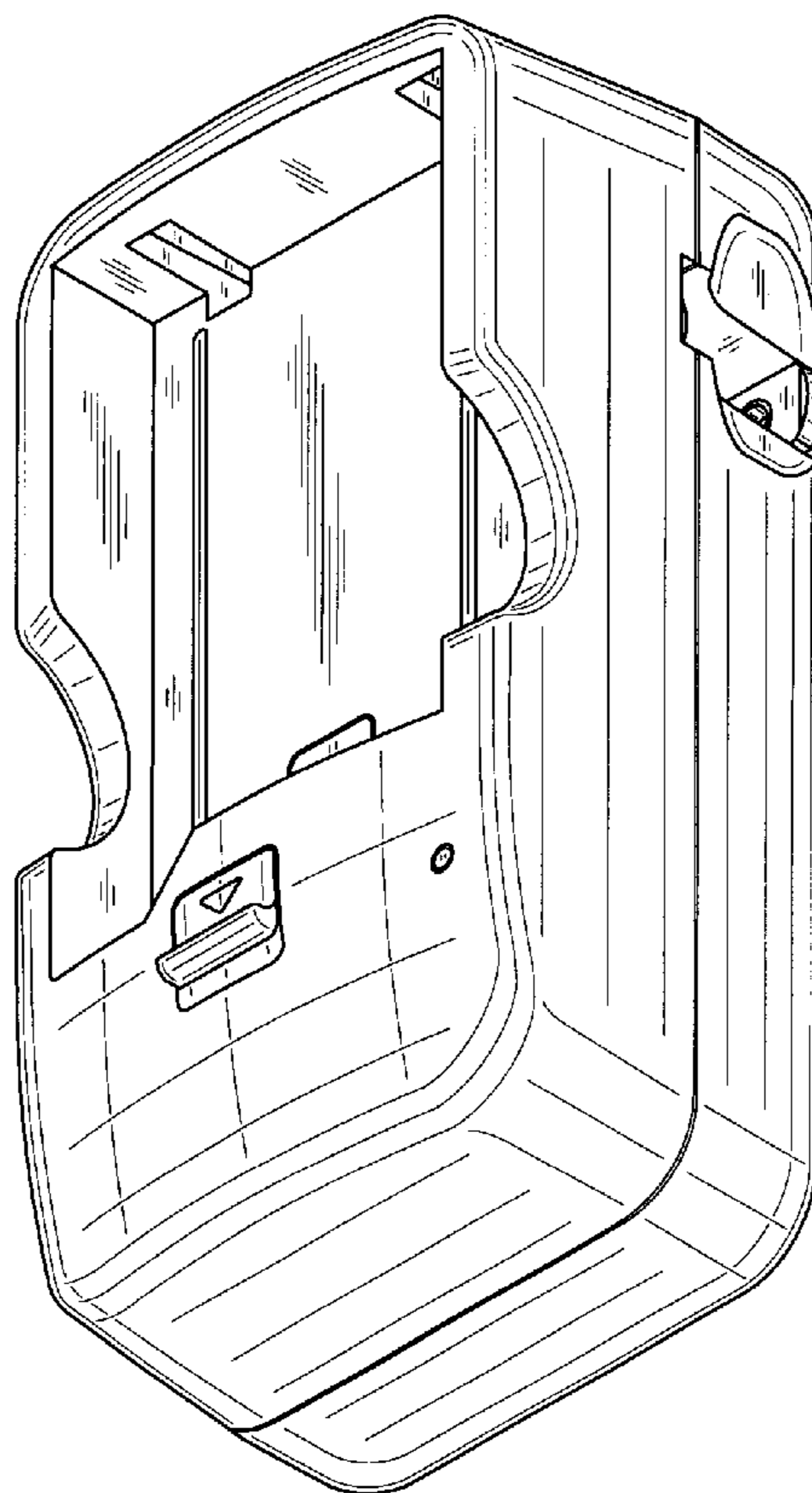
(57) **CLAIM**

The ornamental design for a battery charger, as shown.

DESCRIPTION

FIG. 1 is a front right bottom perspective view of a battery charger showing my new design;
FIG. 2 is a rear right top perspective view thereof;
FIG. 3 is a front elevational view thereof;
FIG. 4 is a rear elevational view thereof;
FIG. 5 is a left elevational view thereof;
FIG. 6 is a right side elevational view thereof;
FIG. 7 is a top plan view thereof; and,
FIG. 8 is a bottom plan view thereof.

1 Claim, 8 Drawing Sheets



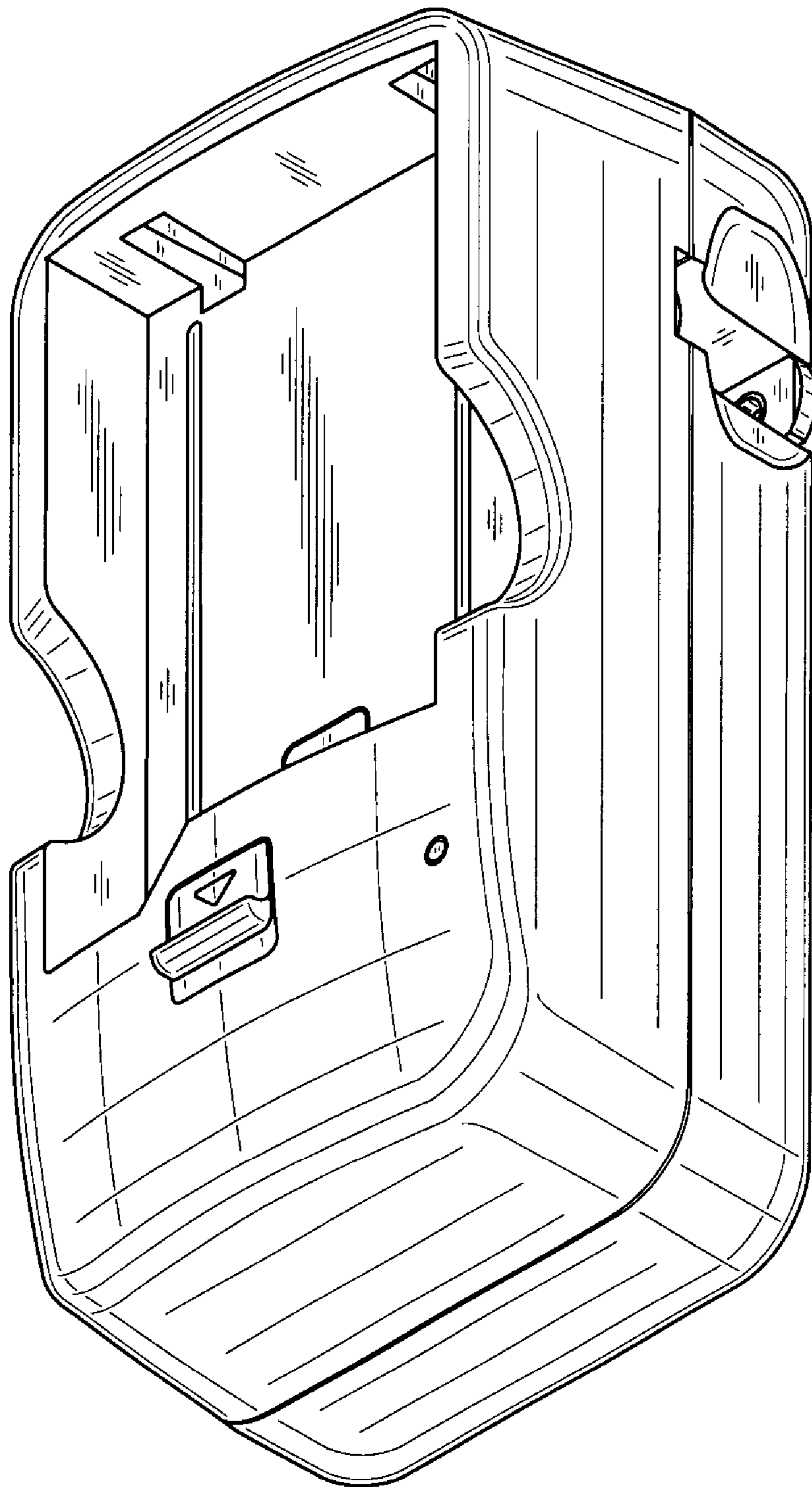


FIG. 1

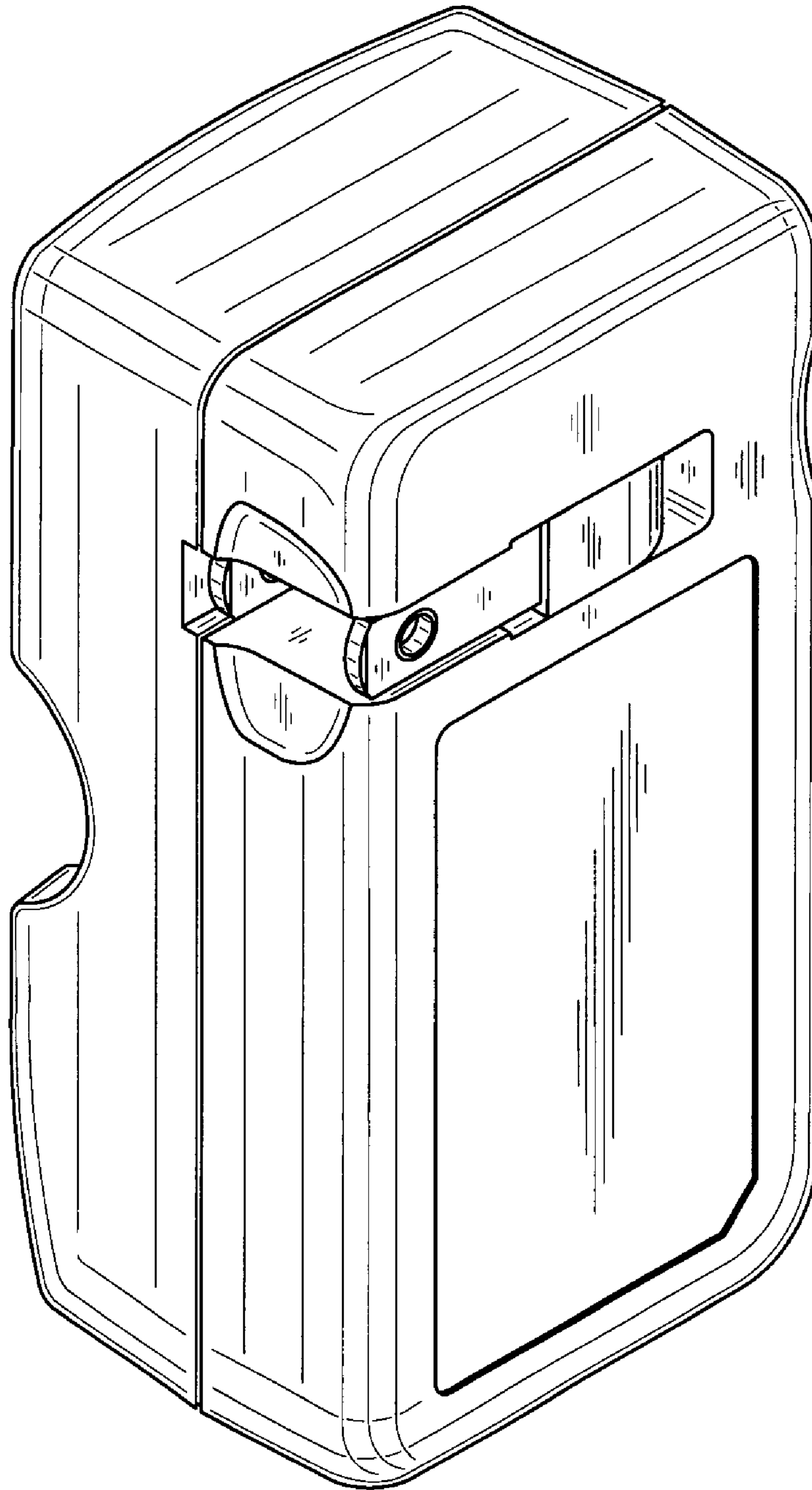


FIG. 2

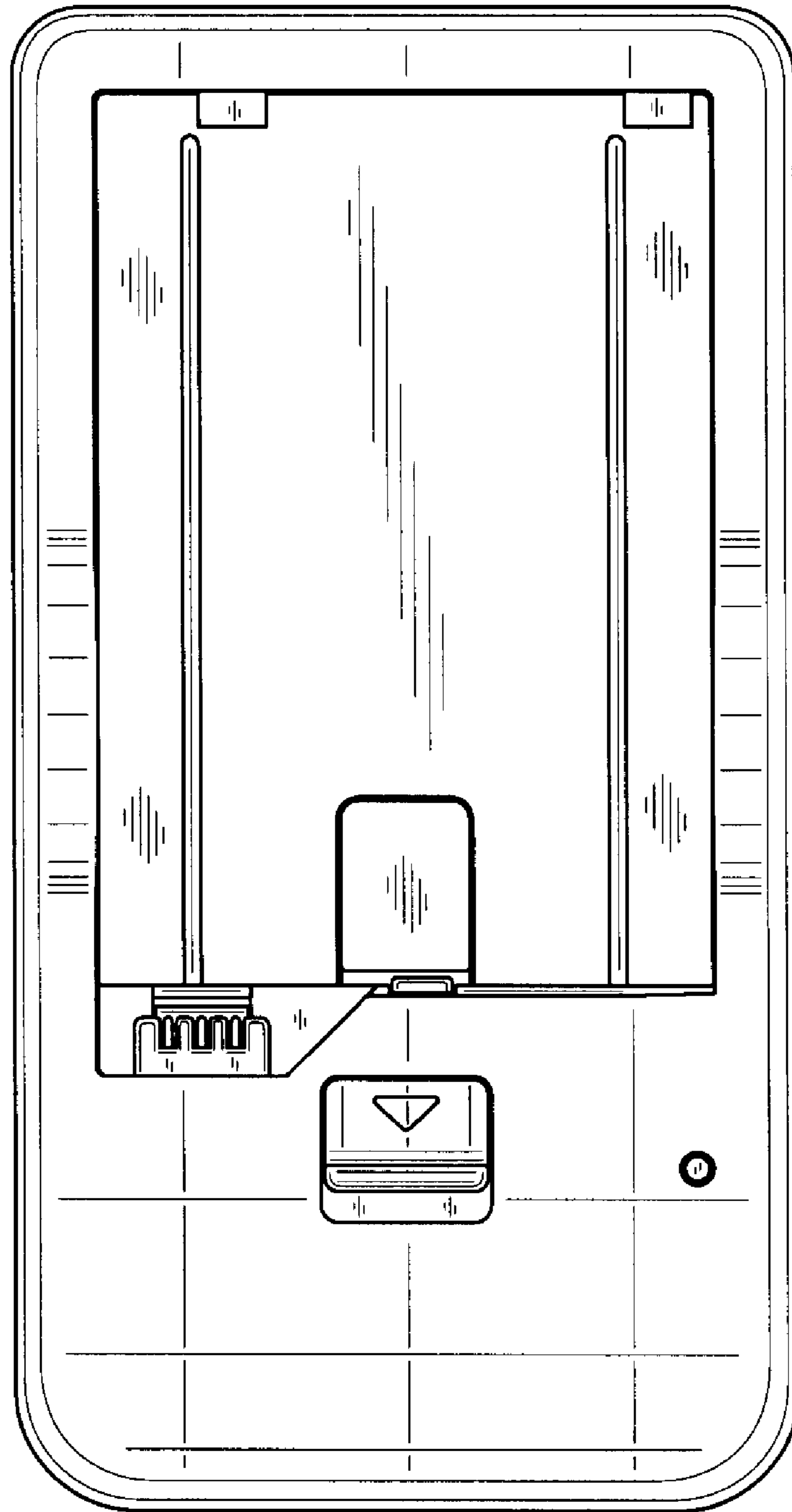


FIG. 3

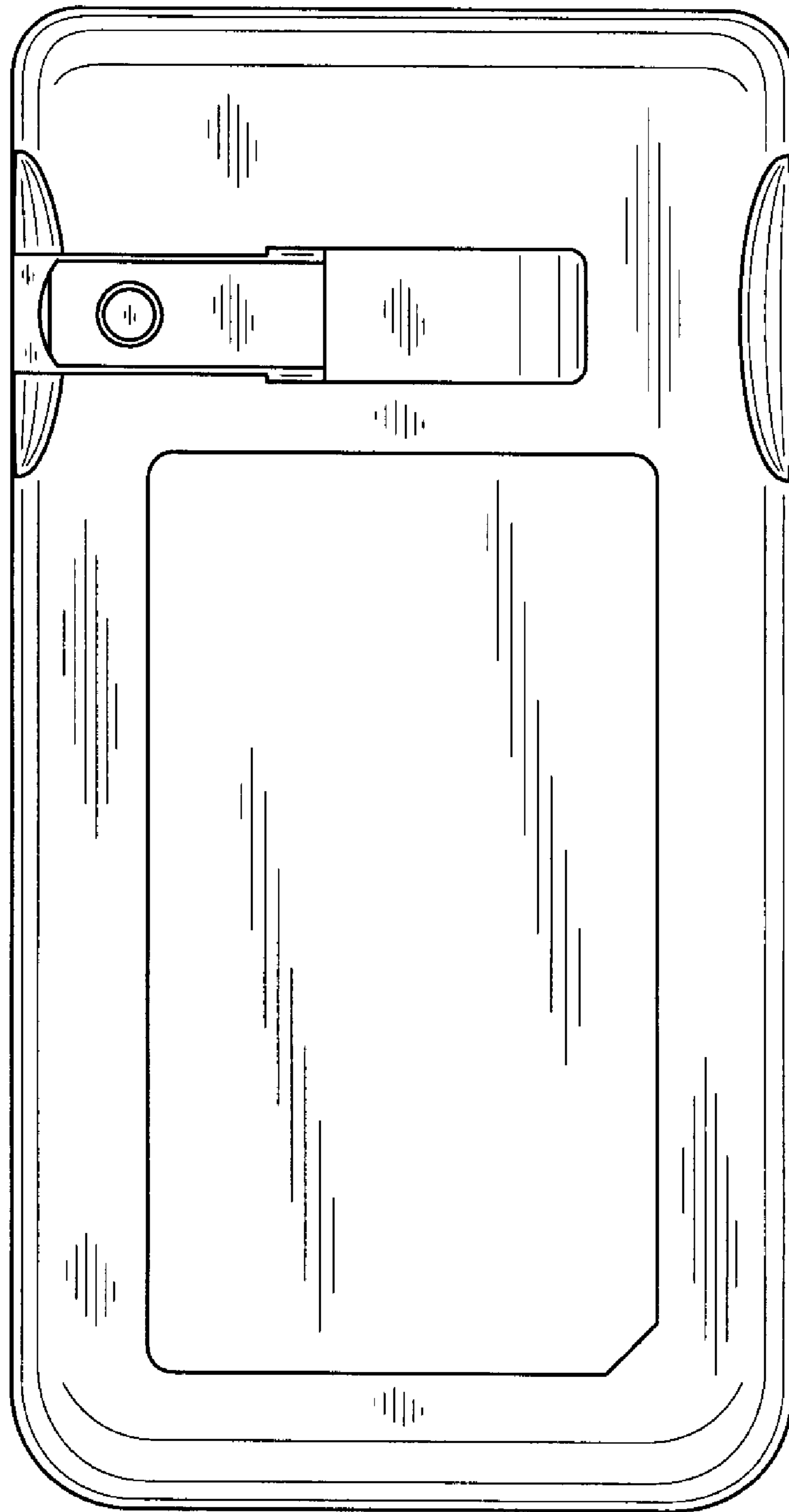


FIG. 4

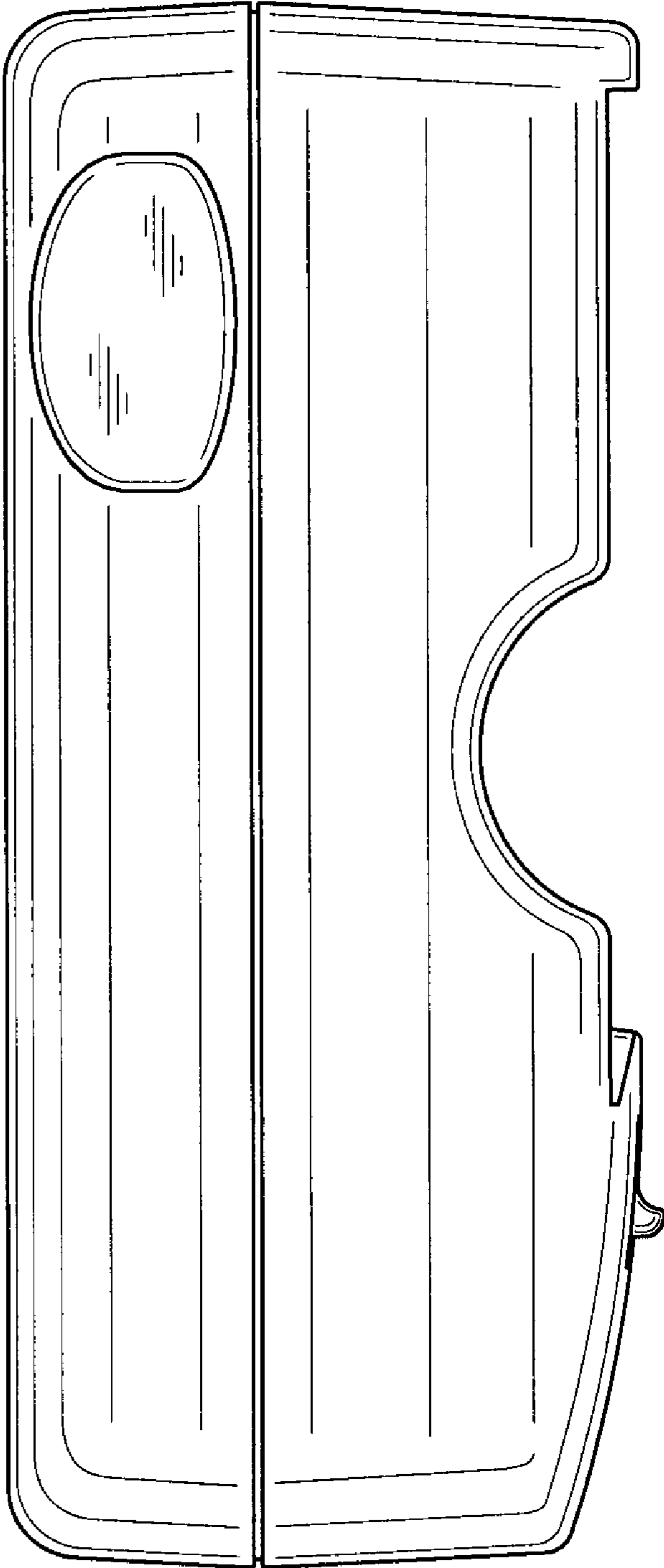


FIG. 5

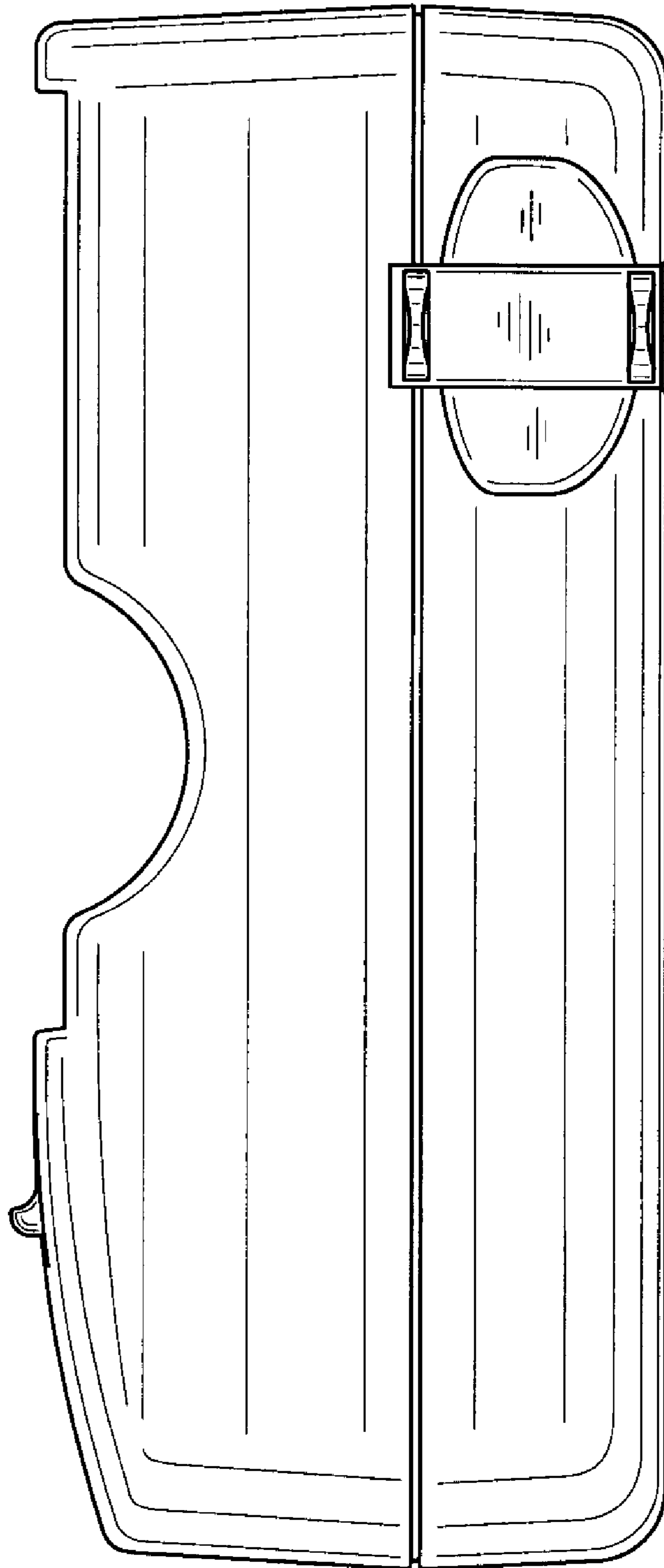


FIG. 6

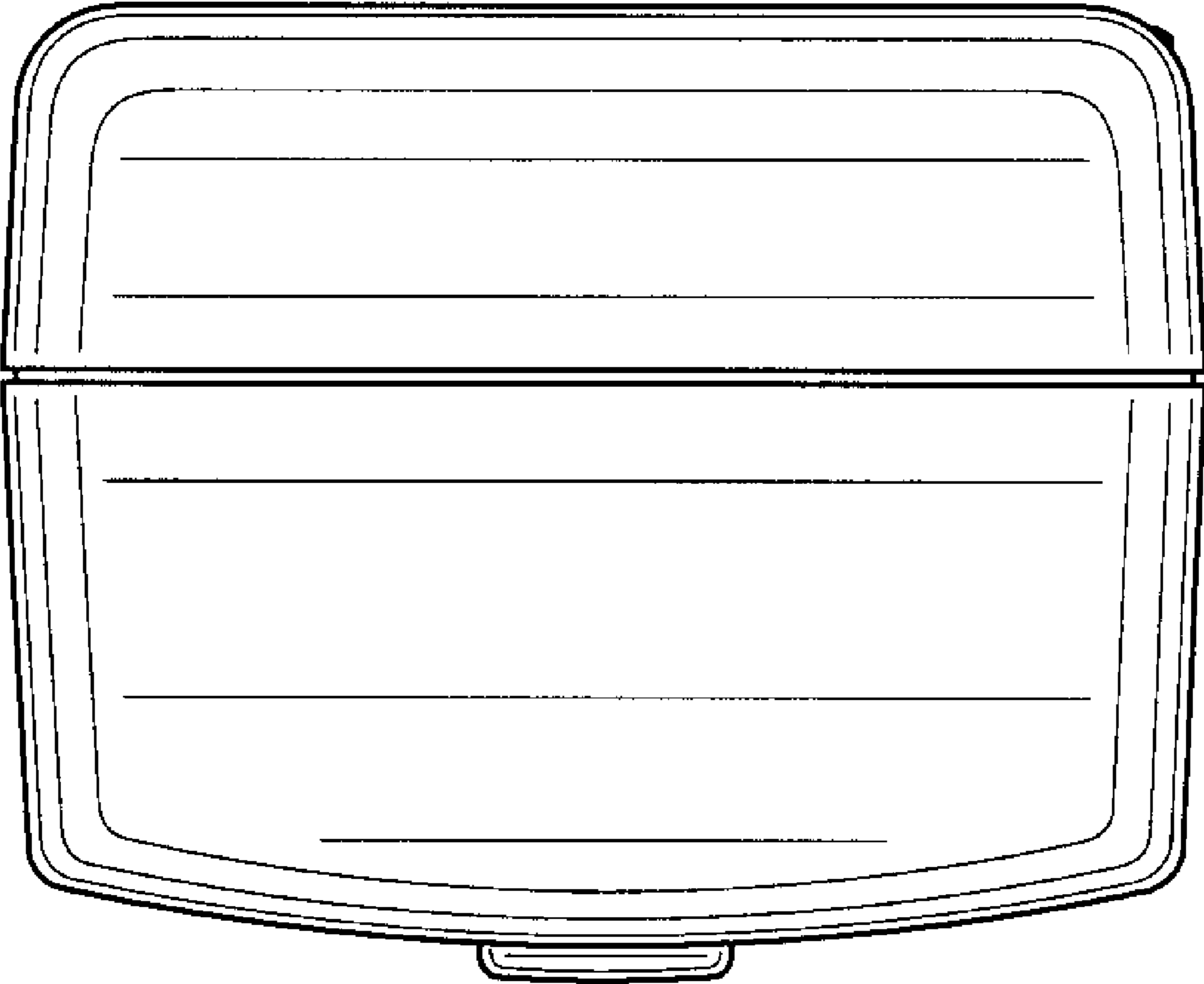


FIG. 7



FIG. 8