



US00D532368S

(12) **United States Design Patent**
Yamada

(10) **Patent No.:** **US D532,368 S**
(45) **Date of Patent:** **** Nov. 21, 2006**

(54) **COMBINED CONNECTOR AND BATTERY CHARGER**

(75) Inventor: **Yoshinori Yamada**, Tokyo (JP)
(73) Assignee: **Sony Corporation**, Tokyo (JP)
(**) Term: **14 Years**

(21) Appl. No.: **29/237,855**
(22) Filed: **Sep. 8, 2005**

(30) **Foreign Application Priority Data**

Jun. 23, 2005 (JP) 2005-018173

(51) **LOC (8) Cl.** **13-02**
(52) **U.S. Cl.** **D13/108**
(58) **Field of Classification Search** D13/107-110,
D13/118-119, 184; D14/251, 253, 432, 434;
320/107-115

See application file for complete search history.

(56) **References Cited**

U.S. PATENT DOCUMENTS

D362,241 S	*	9/1995	Youens et al.	D14/434
D369,789 S	*	5/1996	Lucente et al.	D14/434
D371,769 S	*	7/1996	Shima et al.	D14/434
D394,645 S	*	5/1998	Inoue	D14/434
D396,454 S	*	7/1998	Shima et al.	D14/434
D404,357 S	*	1/1999	Foster et al.	D13/108
D412,319 S	*	7/1999	Lee et al.	D14/434
D412,702 S		8/1999	Goto		
D415,740 S	*	10/1999	Lee et al.	D14/434
D415,741 S	*	10/1999	Lee et al.	D14/434
D416,547 S	*	11/1999	Lee et al.	D14/434
D421,424 S	*	3/2000	Lee et al.	D14/434
D423,473 S	*	4/2000	Iwamoto	D14/434
D468,258 S	*	1/2003	Guo et al.	D13/107
D471,558 S		3/2003	Wada		

OTHER PUBLICATIONS

Web page “VGP-PRFS10V” <http://www.ecat.sony.co.jp/computer/vaio/acc/index.cfm?PD=21236&KM=VGP-PRFS10V>, 1 sheet, Sony (Jul. 2005).

Web page “PCGA-PRV1” <http://www.ecat.sony.co.jp/computer/vaio/acc/index.cfm?PD=11068&KM=PCGA-PRV1>, 1 sheet, Sony (Jul. 2005).

Web page “PCGA-PRGX1” <http://www.ecat.sony.co.jp/computer/vaio/acc/index.cfm?PD=7319&KM=PCGA-PRGX1>, 1 sheet, Sony (Jul. 2005).

Web page “VGP-PRA1” <http://www.ecat.sony.co.jp/computer/vaio/acc/index.cfm?PD=17115&KM=VGP-PRA1>, 1 sheet, Sony (Jul. 2005).

Web page “VGP-PRB1” <http://www.ecat.sony.co.jp/computer/vaio/acc/index.cfm?PD=18781&KM=VGP-PRB1>, 1 sheet, Sony (Jul. 2005).

Web page “287710J” http://www.yodobashi.com/enjoy/more/i/cat_38974433_8281896_8281989/7771100.html, 1 sheet, Yodobashi Camera (Jul. 2005).

Web page “74P6733” http://www.yodobashi.com/enjoy/more/i/cat_38974433_8281896_8281989/6940148.html, 1 sheet, Yodobashi Camera (Jul. 2005).

* cited by examiner

Primary Examiner—Ian Simmons

Assistant Examiner—Rosemary K. Tarcza

(74) *Attorney, Agent, or Firm*—Rader, Fishman & Grauer PLLC

(57) **CLAIM**

The ornamental design for a combined connector and battery charger, as shown.

DESCRIPTION

FIG. 1 is a perspective view of a combined connector and battery charger showing my new design; FIG. 2 is a front elevational view thereof; FIG. 3 is a rear elevational view thereof; FIG. 4 is a left side elevational view thereof; FIG. 5 is a right side elevational view thereof; FIG. 6 is a top plan view thereof; and, FIG. 7 is a bottom plan view thereof.

1 Claim, 7 Drawing Sheets

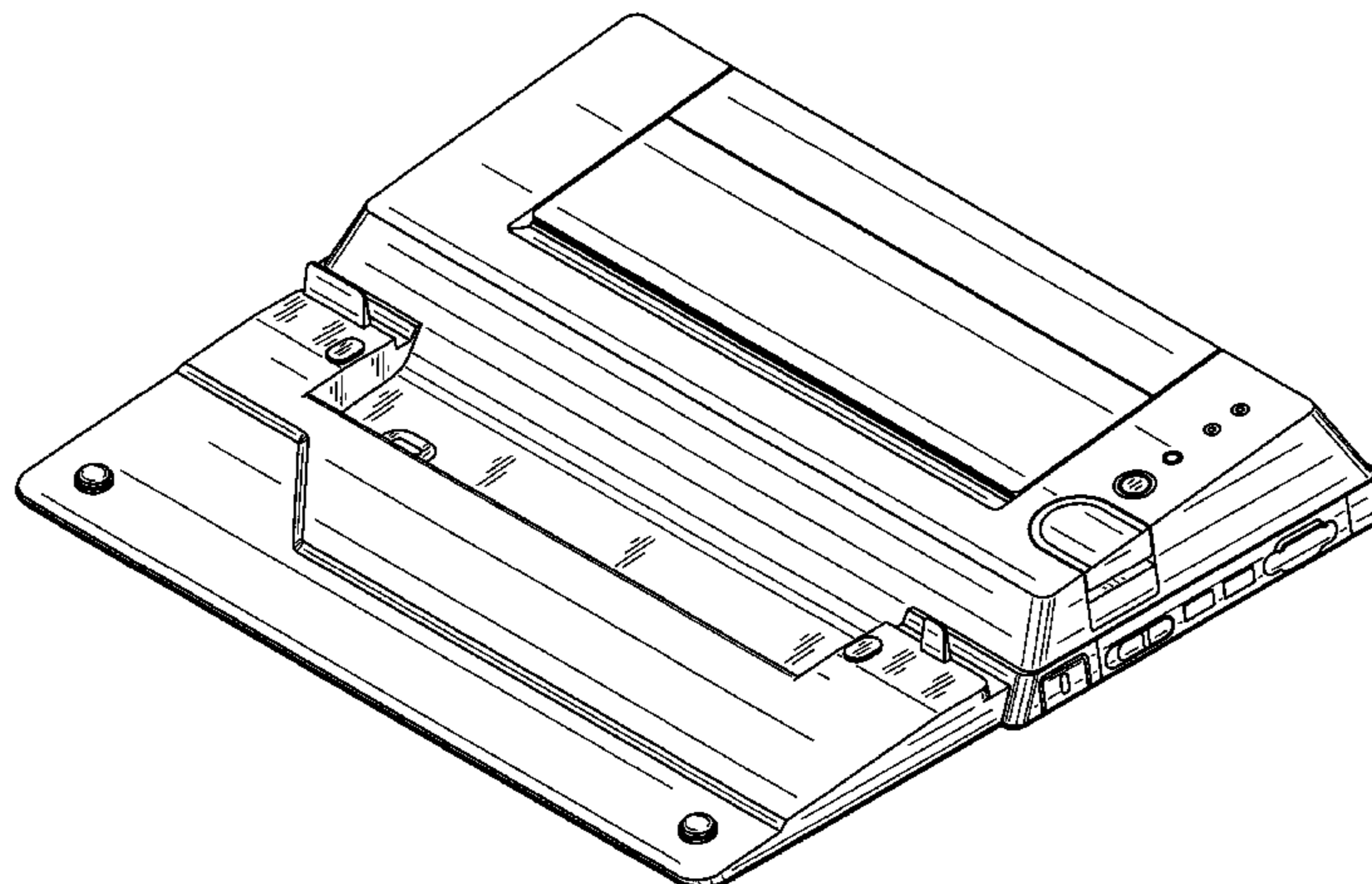


Fig.1

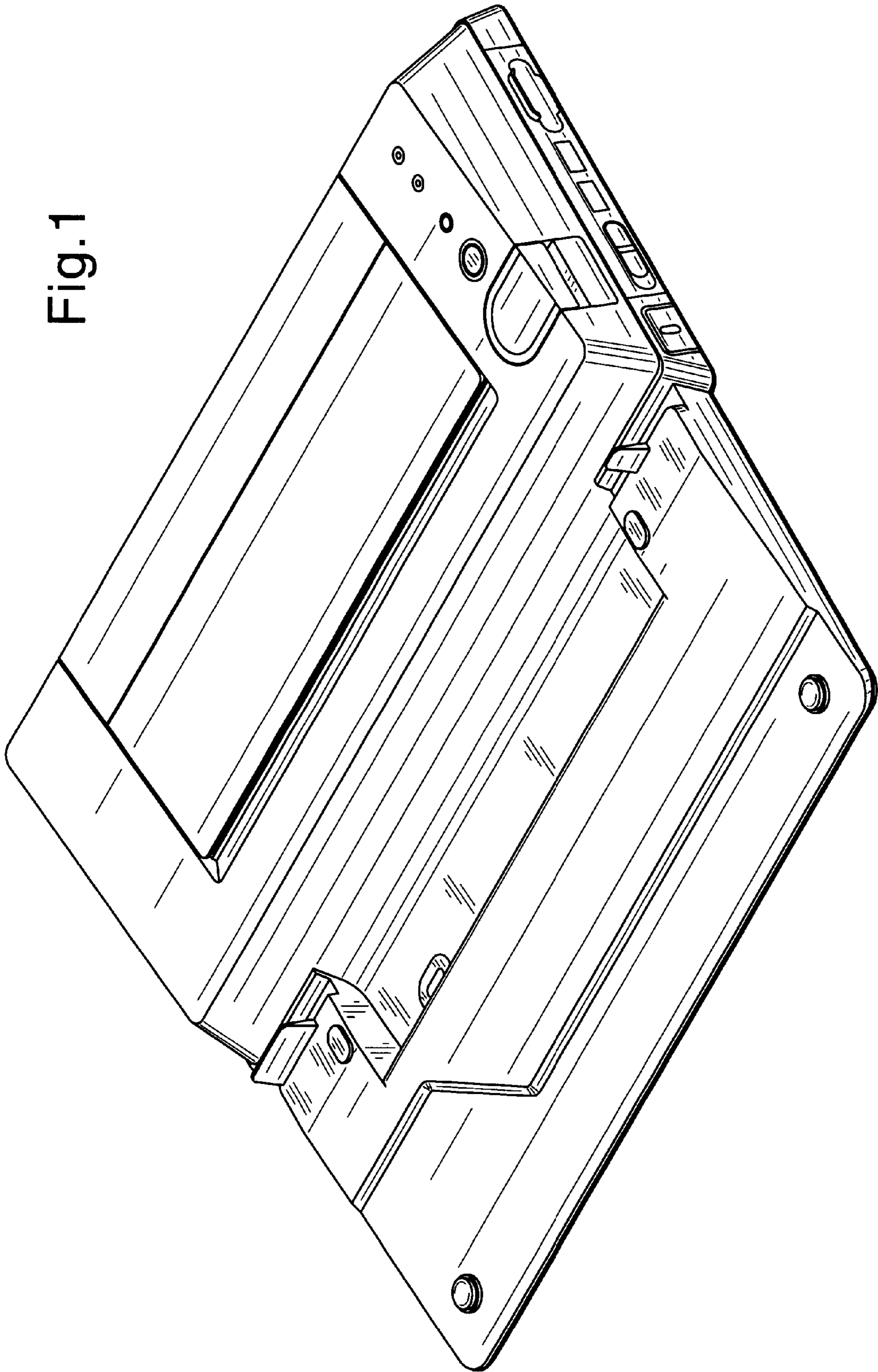


Fig.2

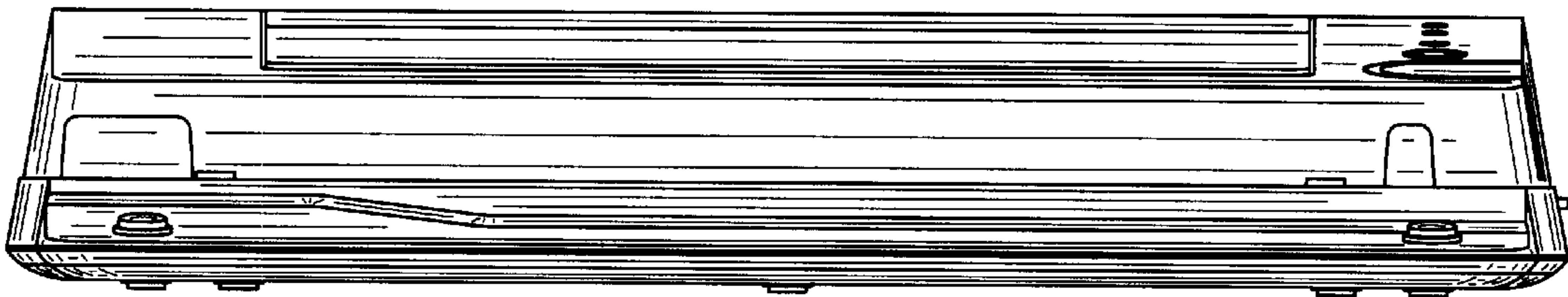


Fig.3

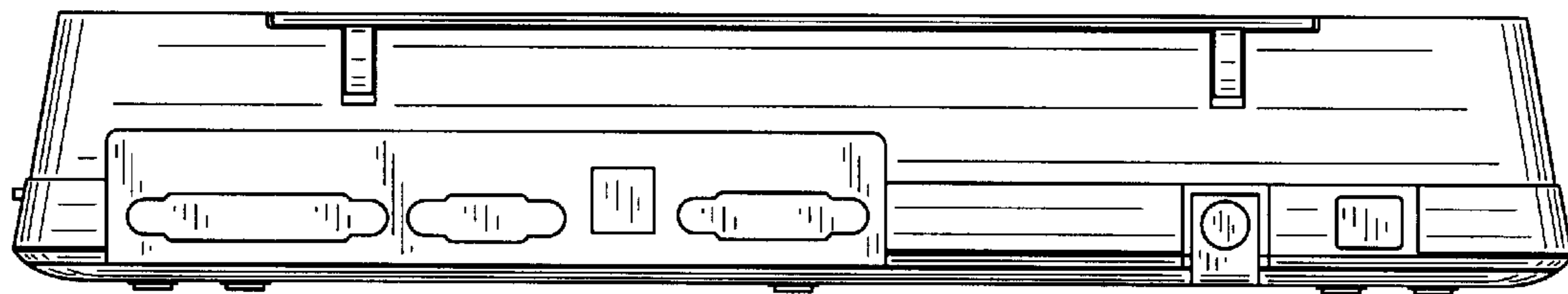


Fig.4

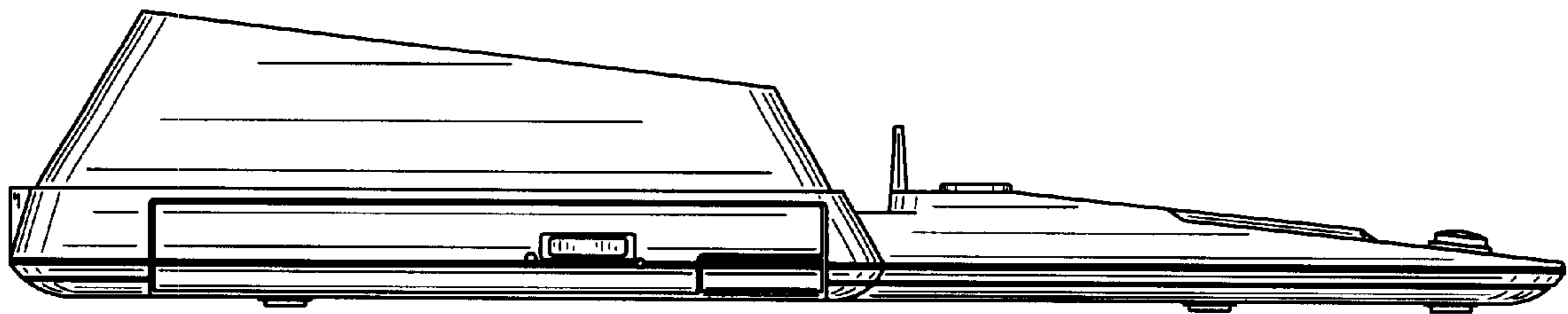


Fig.5

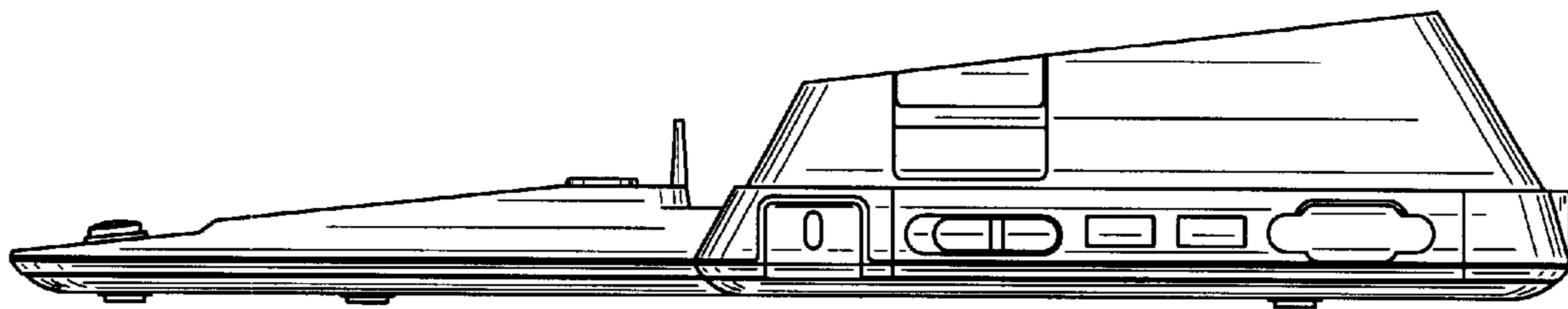


Fig.6

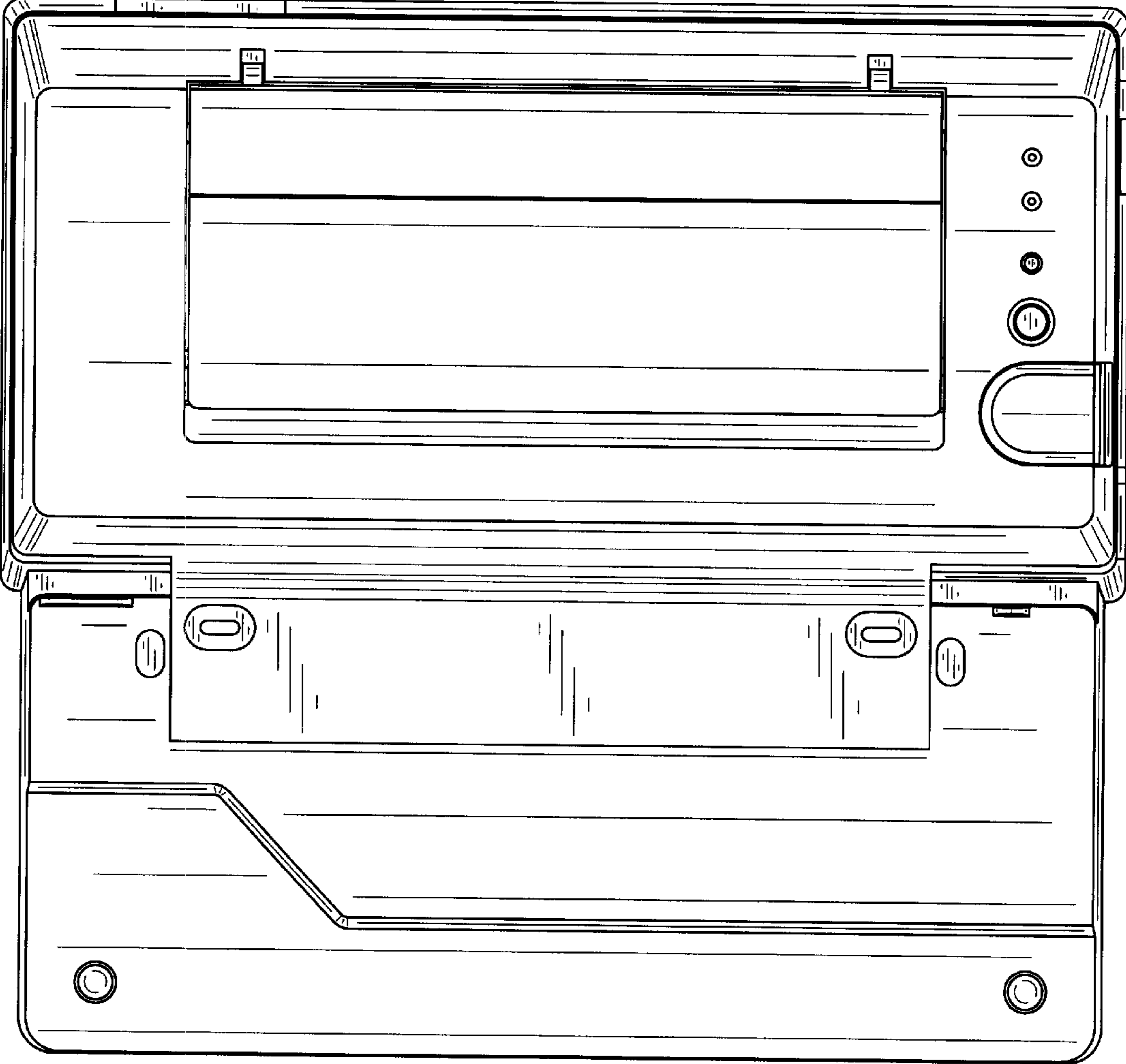


Fig.7

