



US00D532366S

(12) **United States Design Patent**
Koizumi

(10) **Patent No.:** **US D532,366 S**

(45) **Date of Patent:** **** Nov. 21, 2006**

(54) **COMBINED CHARGER AND TRANSMITTER FOR HEADPHONE**

D512,418 S * 12/2005 Sarasjoki D14/253
D514,576 S * 2/2006 Sung et al. D14/434
D516,562 S * 3/2006 Solomon et al. D14/434

(75) Inventor: **Shiki Koizumi**, Tokyo (JP)

OTHER PUBLICATIONS

(73) Assignee: **Sony Corporation**, Tokyo (JP)

Web page, "SET810," <http://www.sennheiserusa.com/newsite/productdetail.asp?transid=004993>, 2 sheets, Sennheiser (Mar. 2005).

(**) Term: **14 Years**

Web page, "Set250," <http://www.sennheiserusa.com/newsite/productdetail.asp?transid=004544>, 2 sheets, Sennheiser (Mar. 2005).

(21) Appl. No.: **29/234,426**

(22) Filed: **Jul. 19, 2005**

* cited by examiner

(30) **Foreign Application Priority Data**

Mar. 31, 2005 (JP) D2005-009783

Primary Examiner—Ian Simmons

Assistant Examiner—Rosemary K. Tarcza

(51) **LOC (8) Cl.** **13-02**

(52) **U.S. Cl.** **D13/108**; D14/155

(74) *Attorney, Agent, or Firm*—Rader, Fishman & Grauer PLLC

(58) **Field of Classification Search** D13/107–110,
D13/118–119, 184; D14/155, 251, 253, 432,
D14/434; 320/107–115

(57) **CLAIM**

See application file for complete search history.

The ornamental design for a combined charger and transmitter for headphone, as shown.

(56) **References Cited**

DESCRIPTION

U.S. PATENT DOCUMENTS

D445,087 S * 7/2001 Skoger et al. D13/108
D454,131 S * 3/2002 Lord D14/434
D465,532 S * 11/2002 Hussaini et al. D21/333
D474,736 S * 5/2003 Sagawa D13/108
D477,604 S * 7/2003 Lin D14/434
D489,681 S * 5/2004 Chen D13/108
D507,794 S * 7/2005 Wang et al. D14/434
D511,520 S * 11/2005 Hussaini et al. D14/434
D512,066 S * 11/2005 Solomon et al. D14/434

FIG. 1 is a perspective view of a combined charger and transmitter for headphone showing my new design; FIG. 2 is a front elevational view thereof; FIG. 3 is a rear elevational view thereof; FIG. 4 is a left side elevational view thereof; FIG. 5 is a right side elevational view thereof; FIG. 6 is a top plan view thereof; and, FIG. 7 is a bottom plan view thereof.

1 Claim, 7 Drawing Sheets

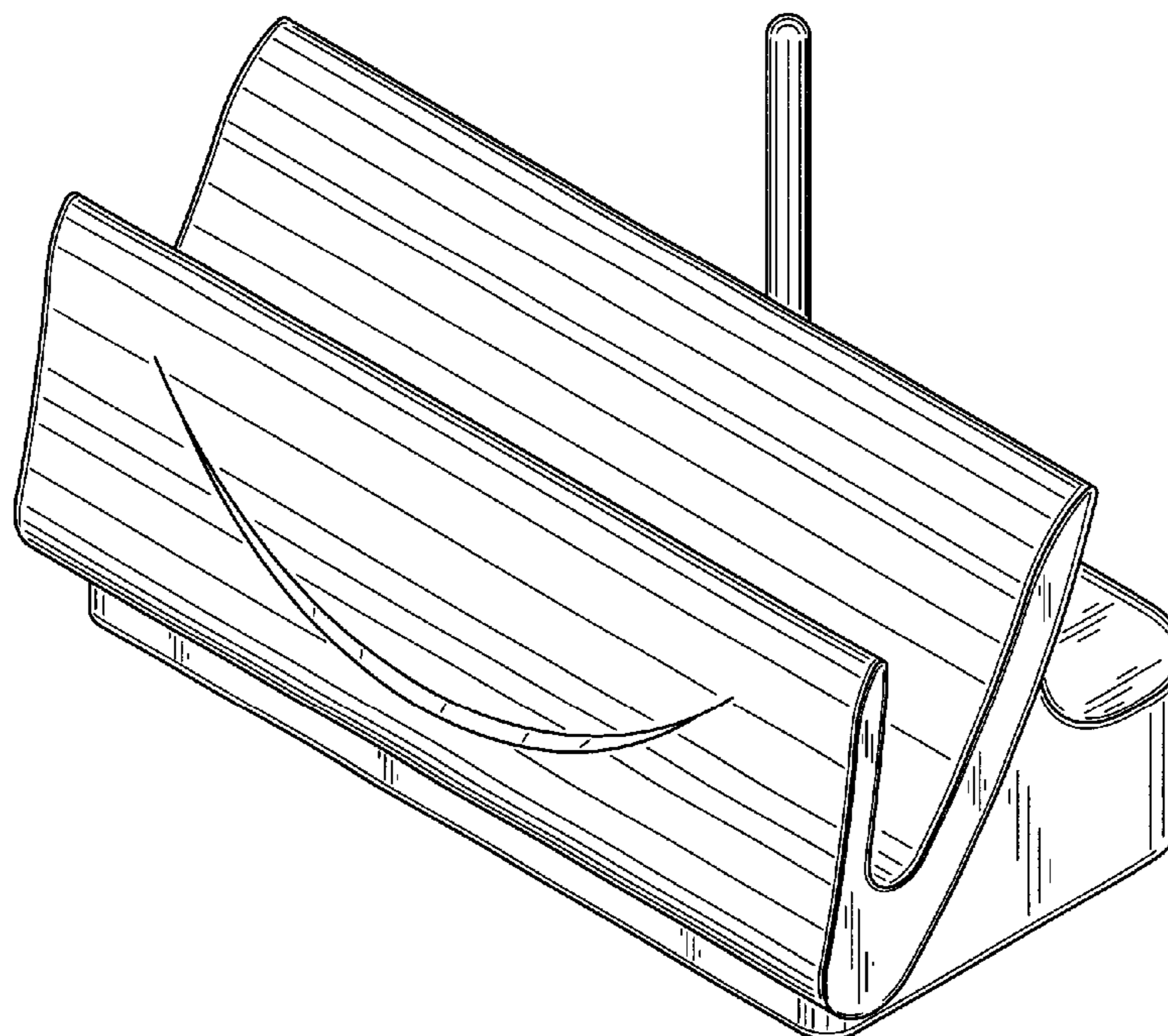


Fig. 1

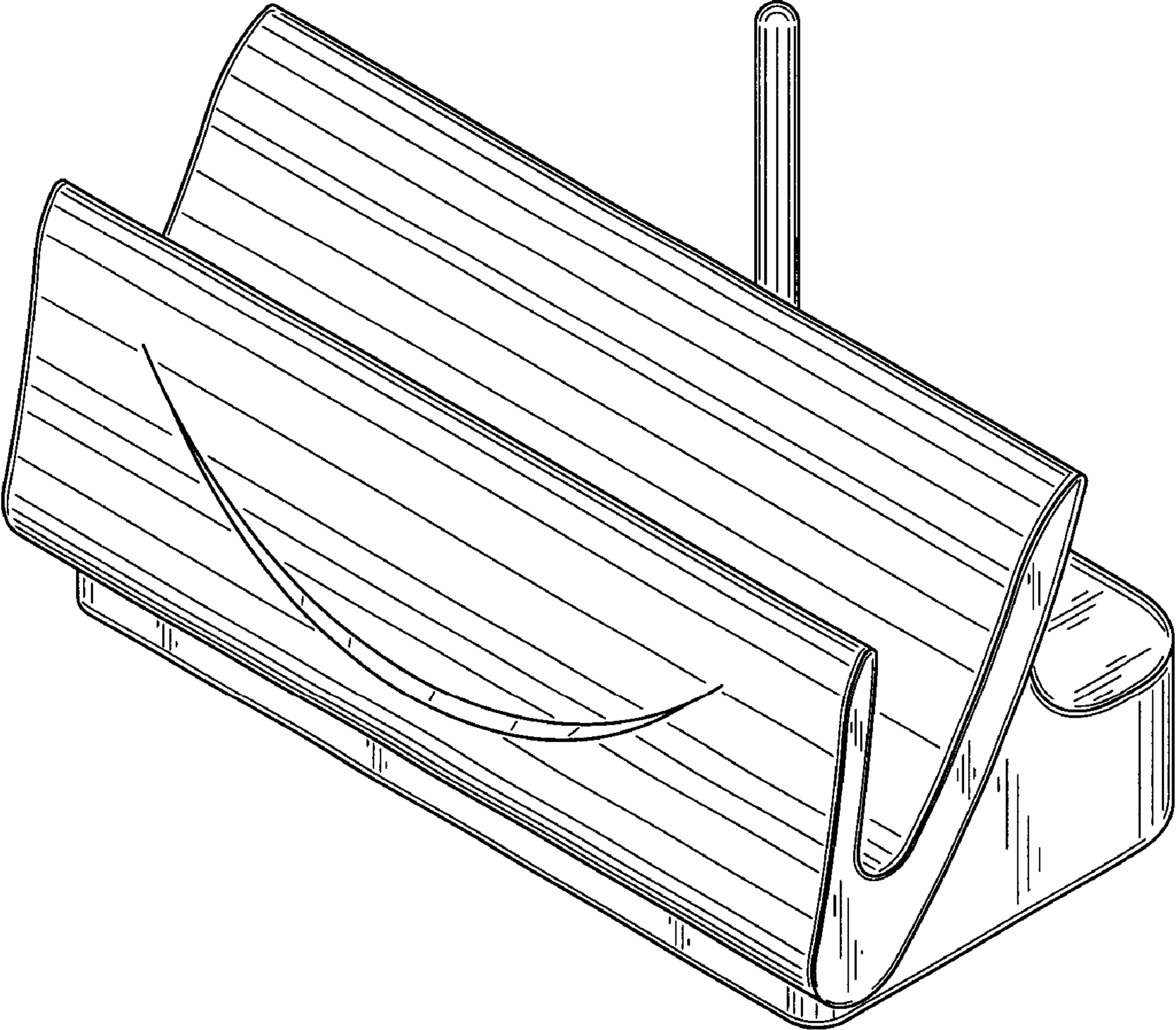


Fig.2

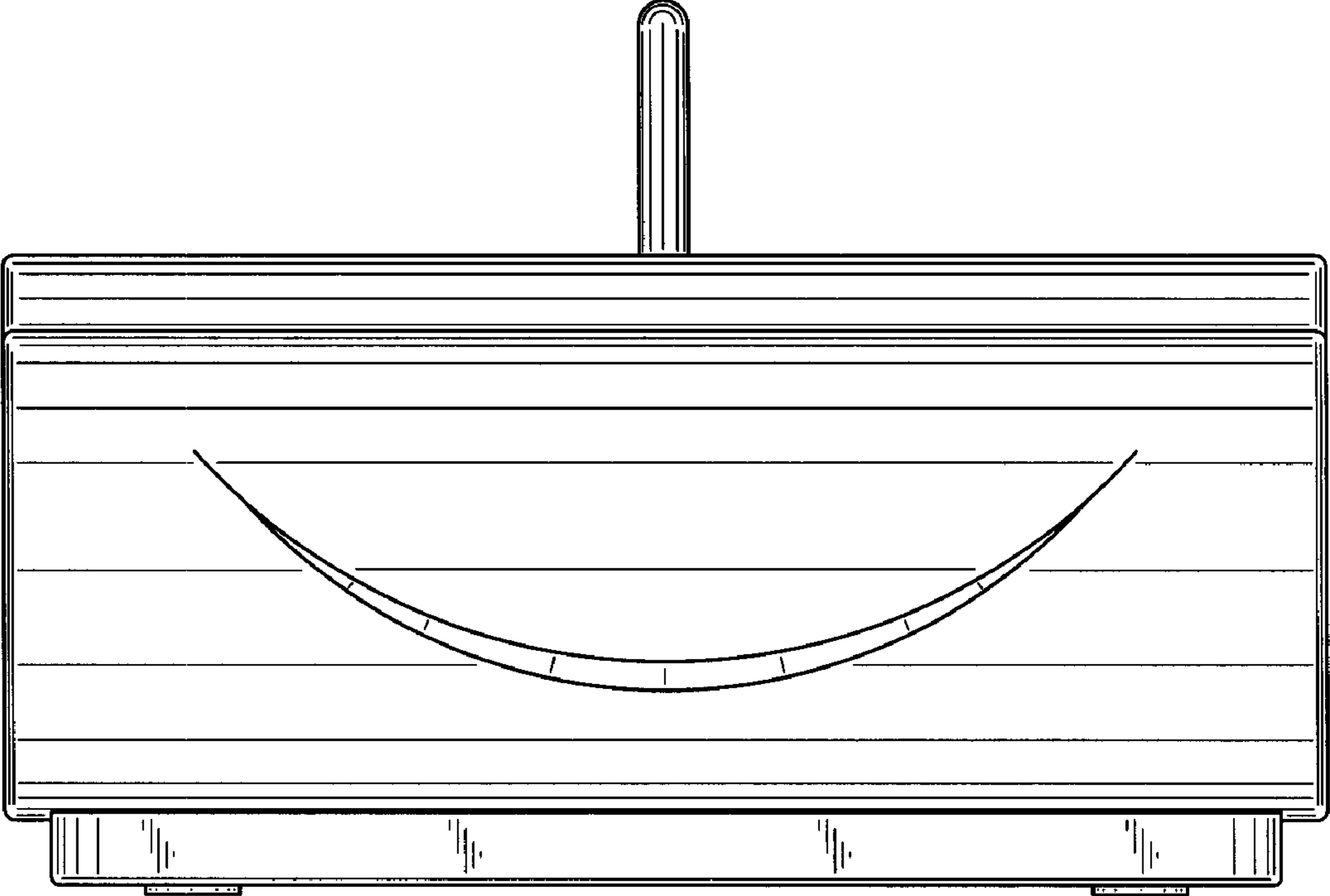


Fig.3

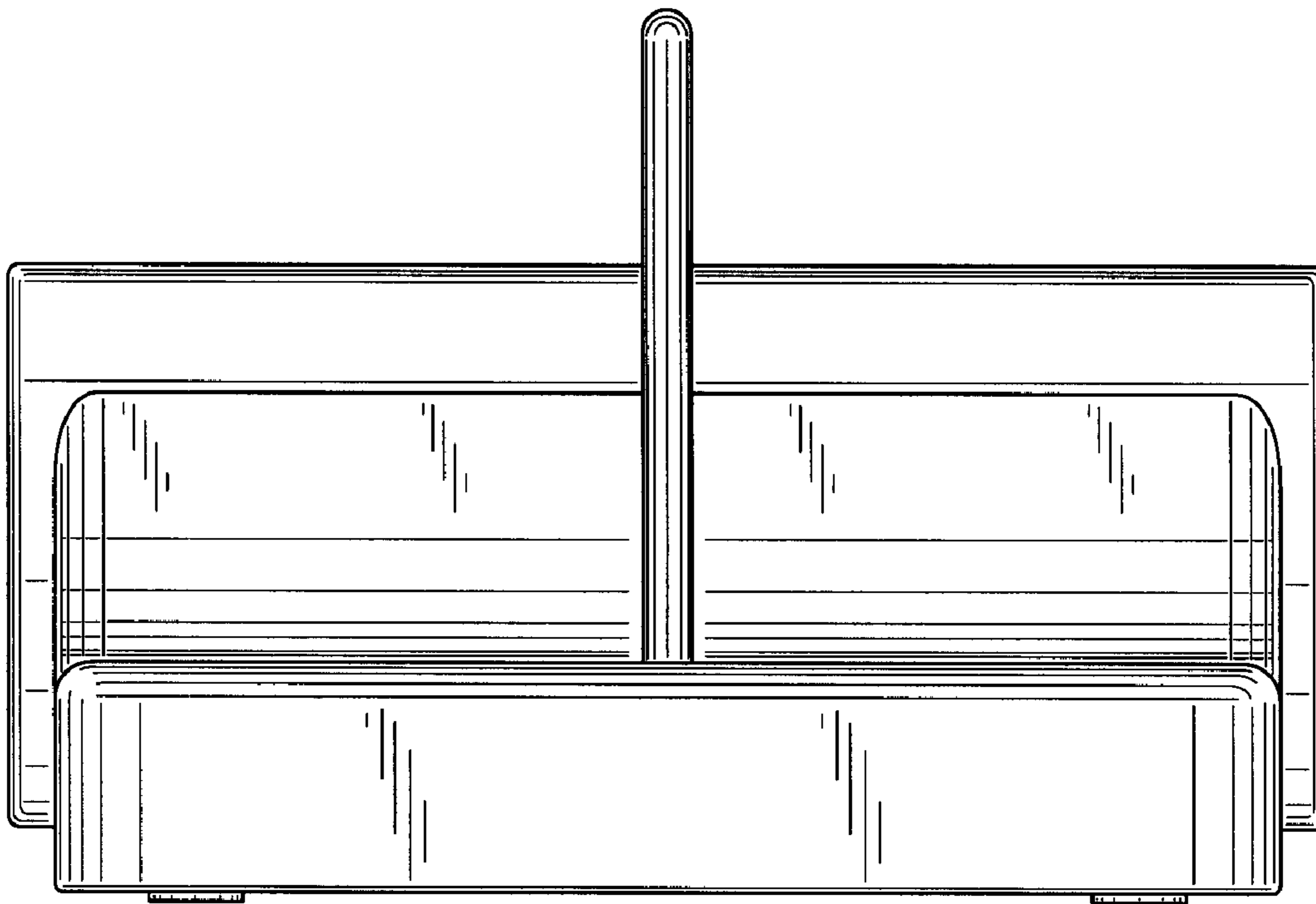


Fig.4

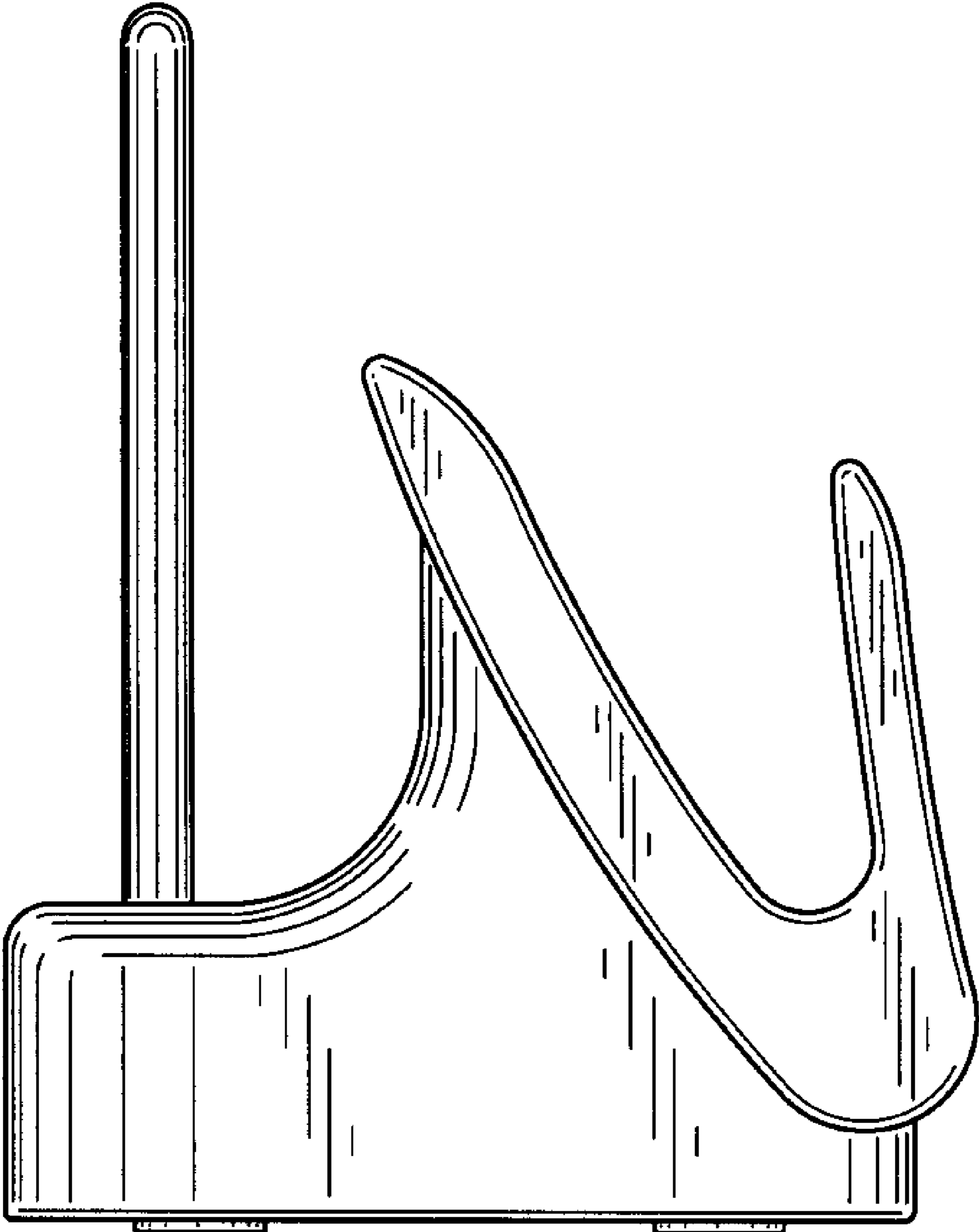


Fig.5

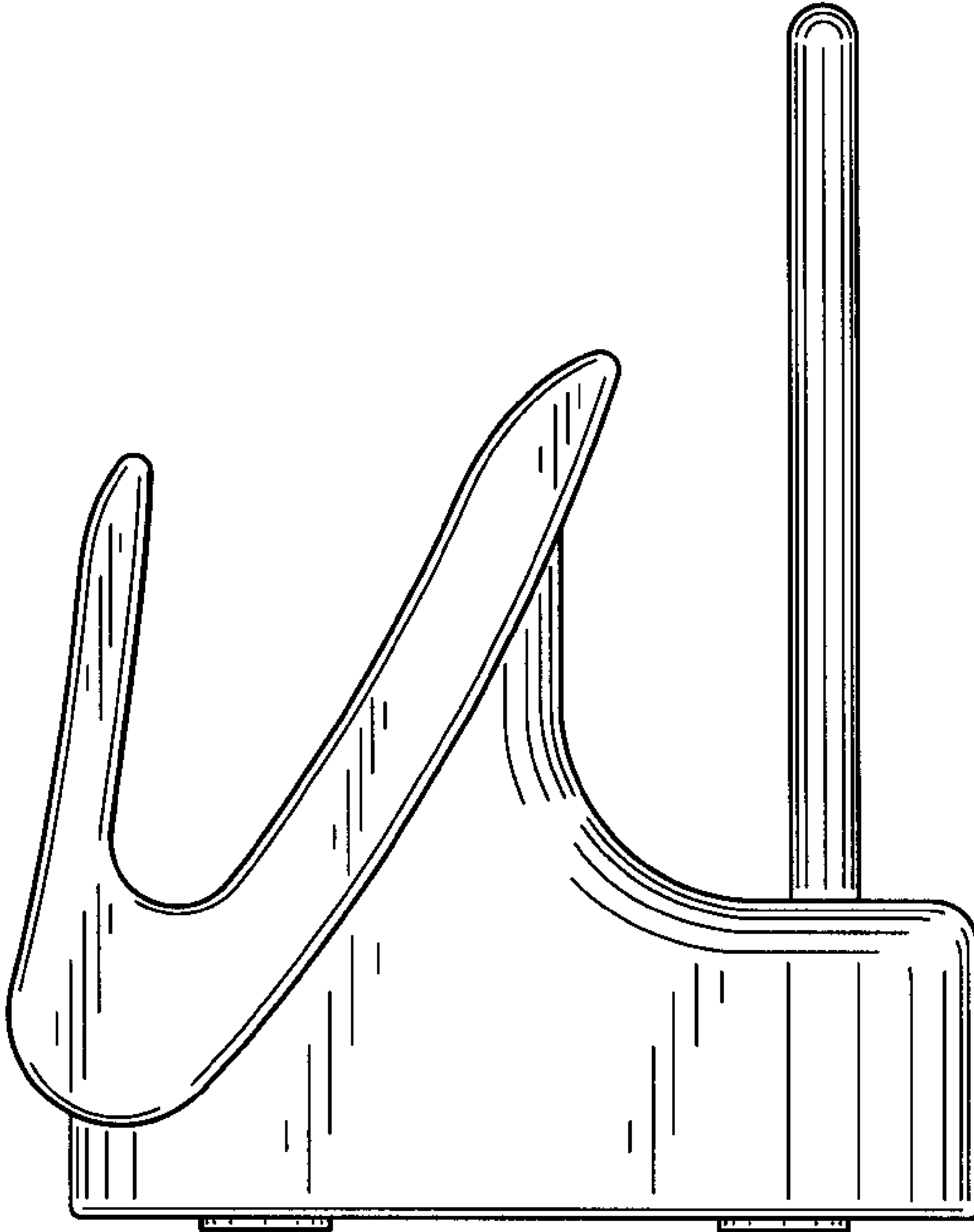


Fig.6

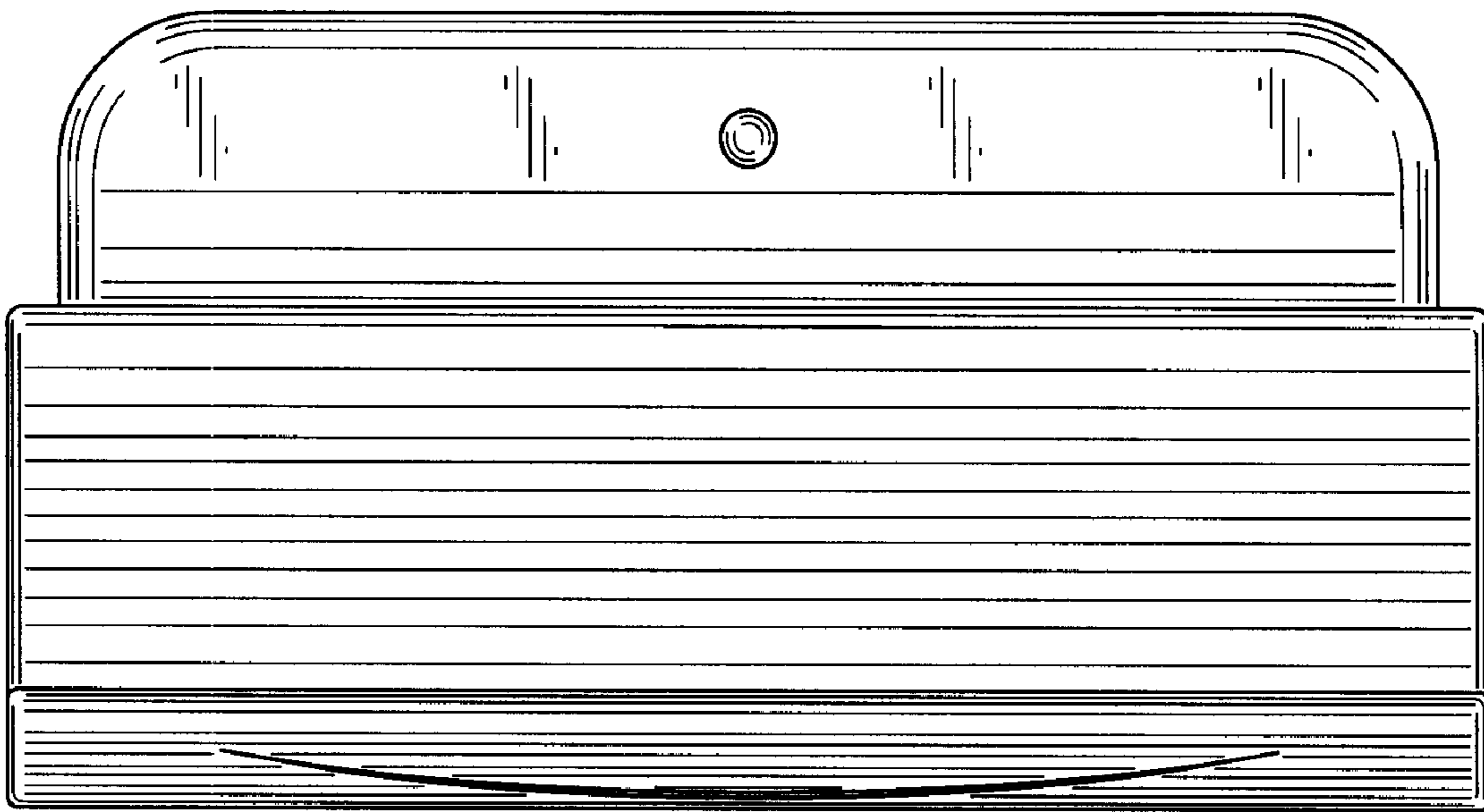


Fig.7

