



US00D532365S

(12) **United States Design Patent**
Shen

(10) **Patent No.:** **US D532,365 S**

(45) **Date of Patent:** **** Nov. 21, 2006**

(54) **BATTERY CHARGER**

(75) Inventor: **Chun-Liang Shen, Ta Li (TW)**

(73) Assignee: **E-J Electronics Co., Ltd., Ta Li (TW)**

(**) Term: **14 Years**

(21) Appl. No.: **29/242,144**

(22) Filed: **Nov. 3, 2005**

(51) **LOC (8) Cl.** **13-02**

(52) **U.S. Cl.** **D13/107**

(58) **Field of Classification Search** D13/107-110,
D13/118-119, 184; D14/251, 253, 432, 434;
320/107-115

See application file for complete search history.

(56) **References Cited**

U.S. PATENT DOCUMENTS

D327,248 S	*	6/1992	Hotsumi et al.	D13/108
D328,276 S	*	7/1992	Koinuma	D13/107
D328,277 S	*	7/1992	Leman et al.	D13/108
D328,889 S	*	8/1992	Seki	D13/108
D336,631 S	*	6/1993	Ivester	D13/108
D350,540 S	*	9/1994	Hyvonen	D14/149
D359,474 S	*	6/1995	Palatov	D13/108

D388,764 S	*	1/1998	Bartling et al.	D13/107
D401,552 S	*	11/1998	Tanaka et al.	D13/107
D402,258 S	*	12/1998	Kawakami	D13/107
D402,957 S	*	12/1998	Kuwayama et al.	D13/108
D477,823 S	*	7/2003	Lavello, Sr.	D14/253
6,891,351 B1	*	5/2005	Chen	320/115

* cited by examiner

Primary Examiner—Alan P. Douglas

Assistant Examiner—Rosemary K. Tarcza

(74) *Attorney, Agent, or Firm*—Charles E. Baxley

(57) **CLAIM**

The ornamental design for a battery charger, as shown and described.

DESCRIPTION

FIG. 1 is a perspective view of a battery charger showing my new design;

FIG. 2 is a front elevational view thereof;

FIG. 3 is a rear elevational view thereof,

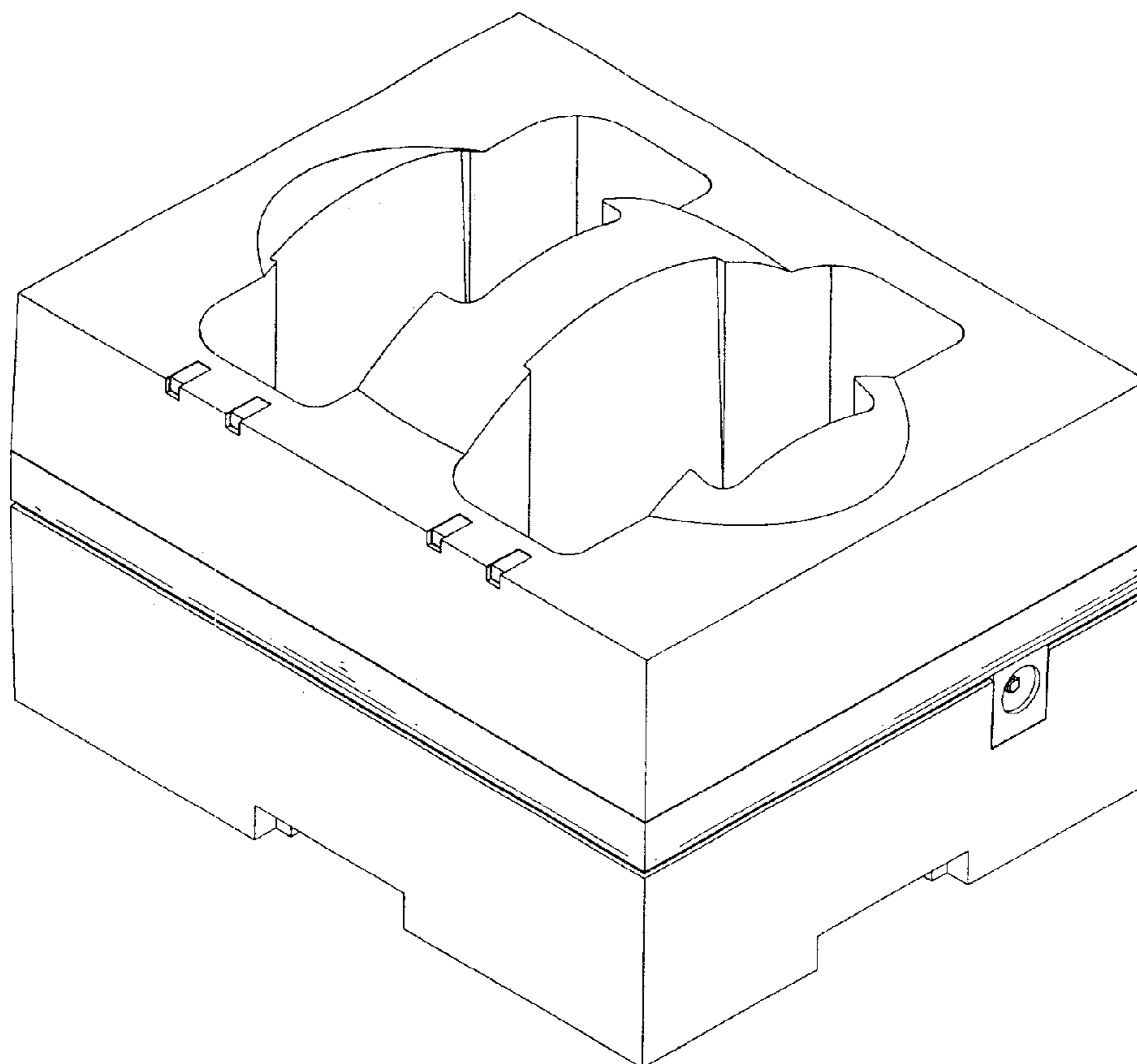
FIG. 4 is a left side elevational view thereof,

FIG. 5 is a right side elevational view thereof,

FIG. 6 is a top plan view thereof; and,

FIG. 7 is a bottom plan view to that shown.

1 Claim, 4 Drawing Sheets



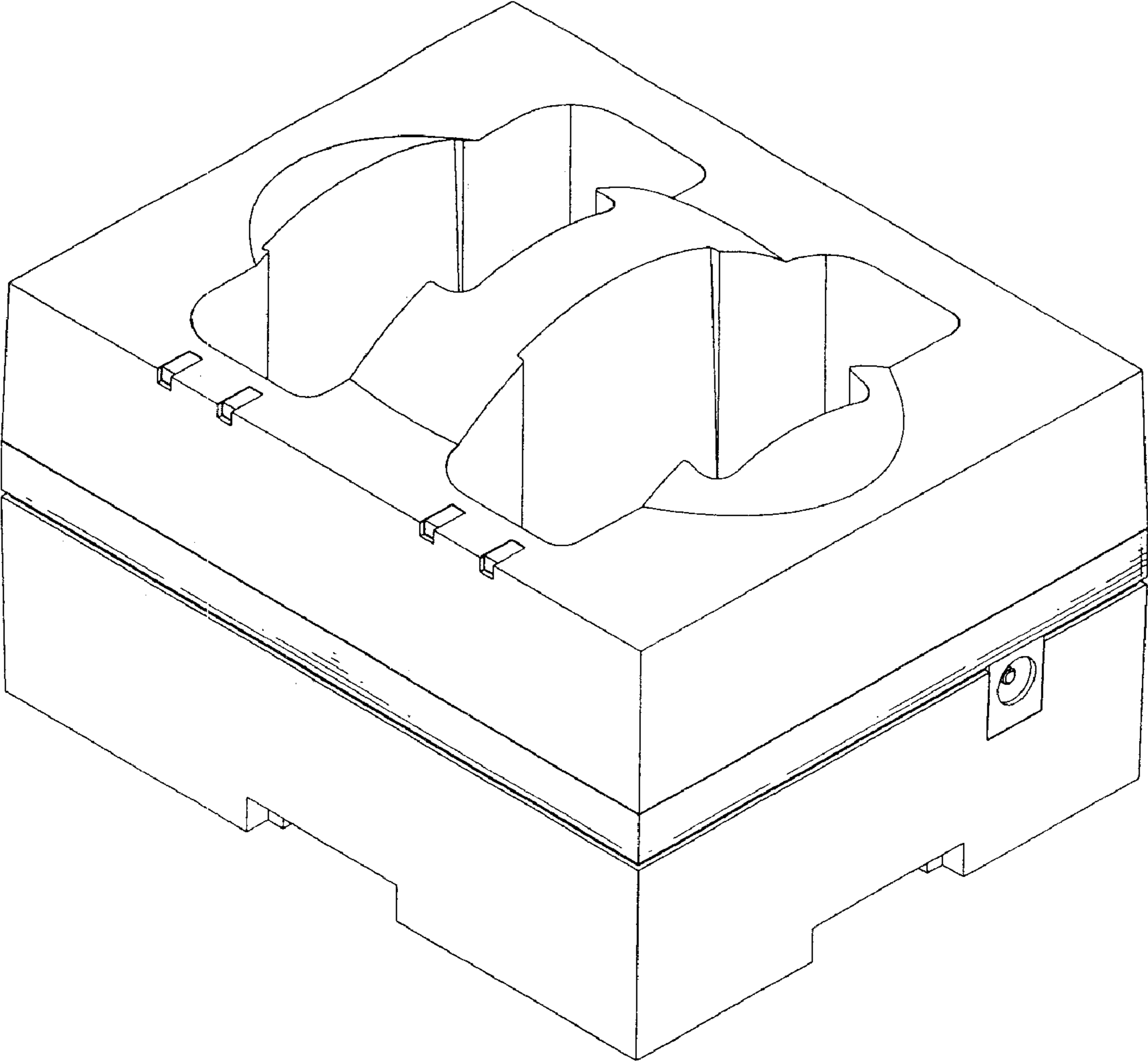


FIG. 1

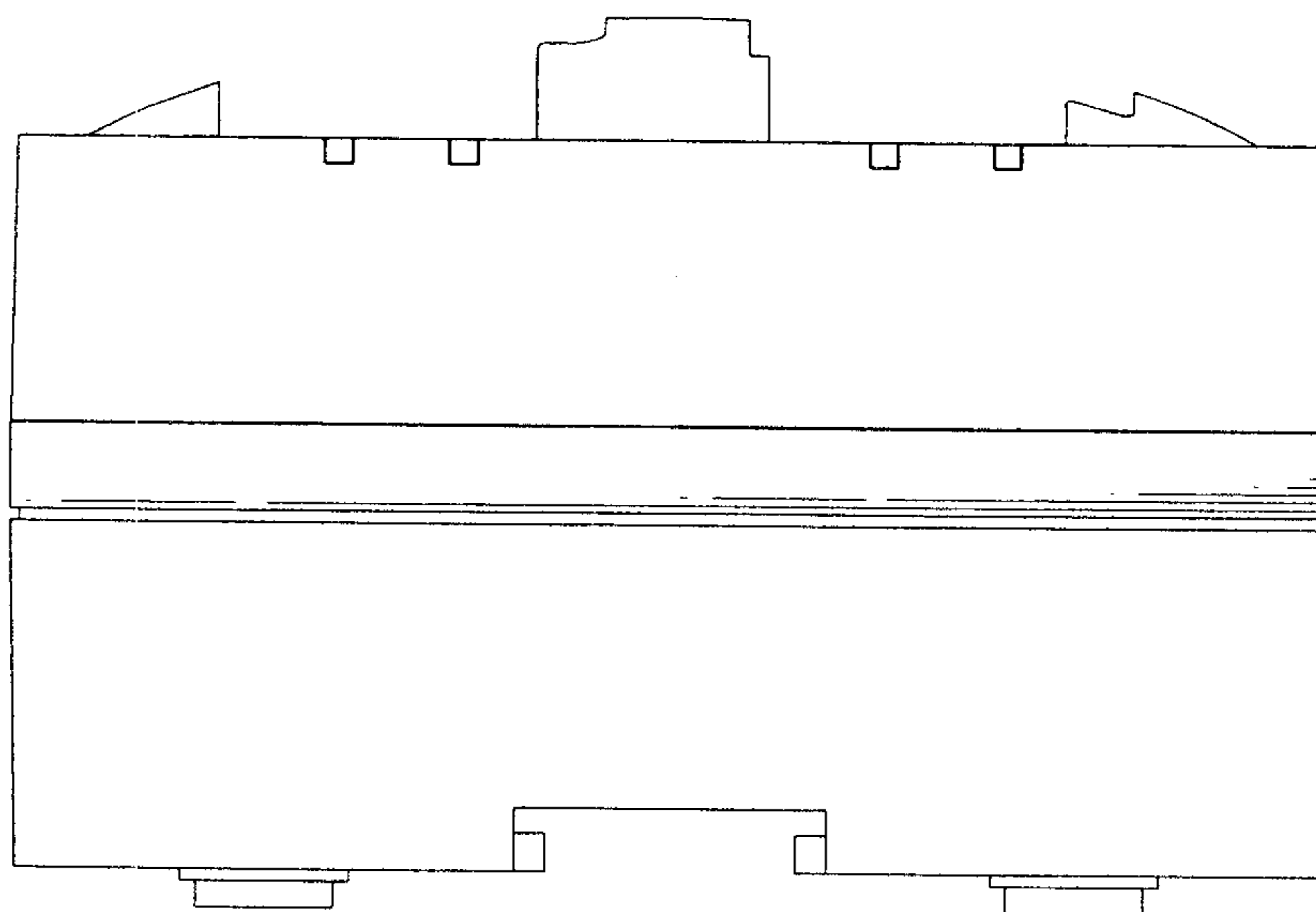


FIG. 2

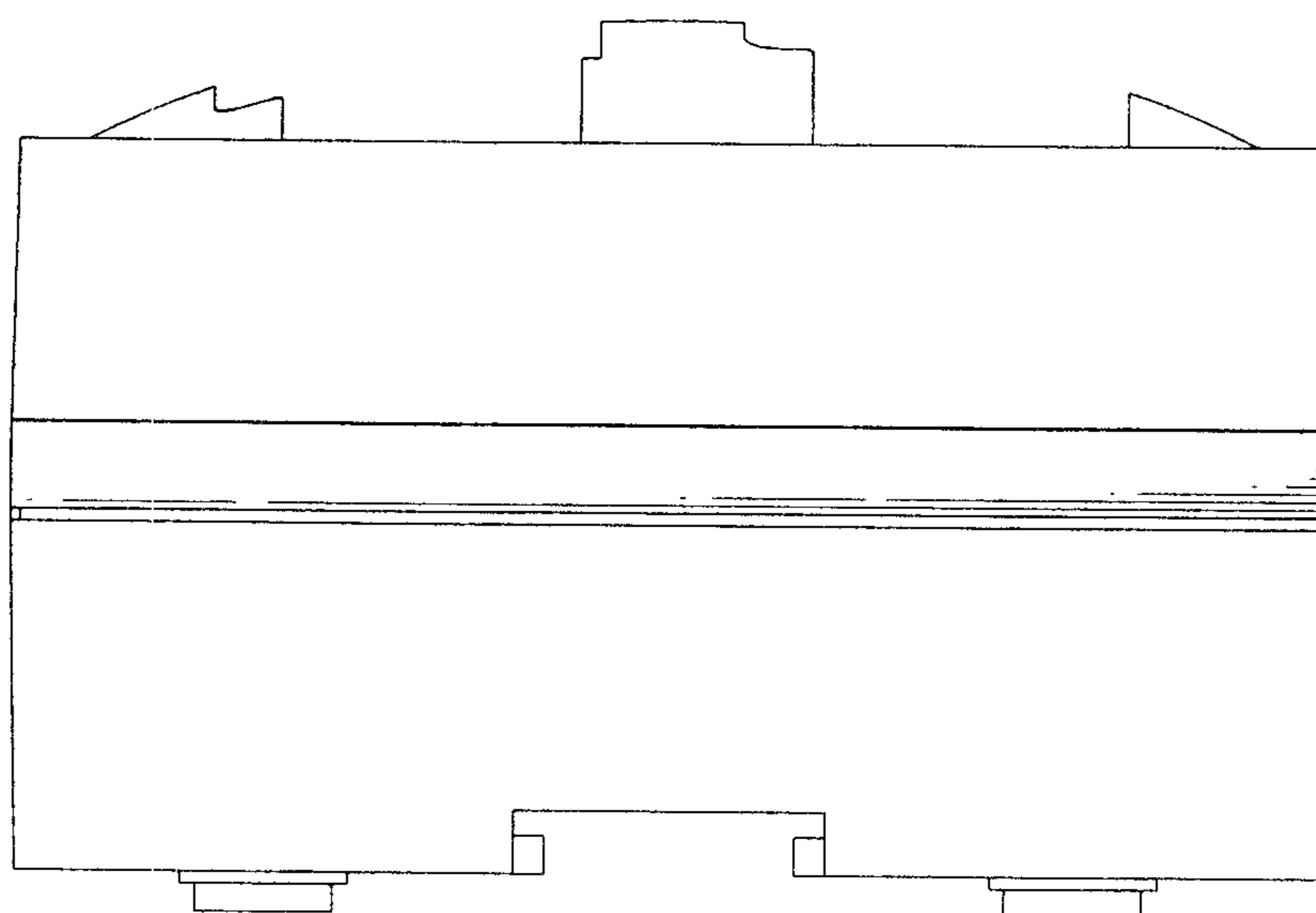


FIG. 3

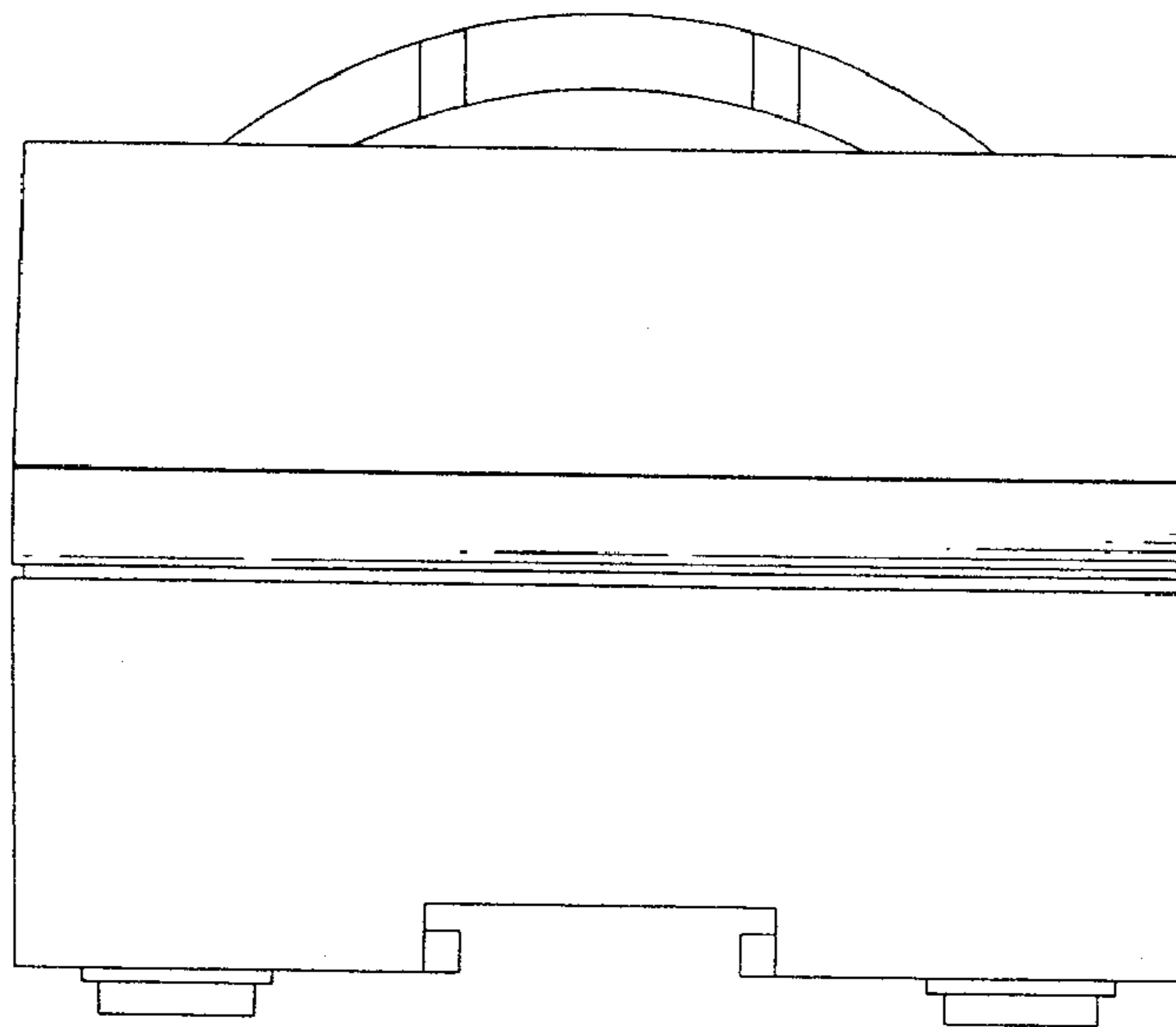


FIG. 4

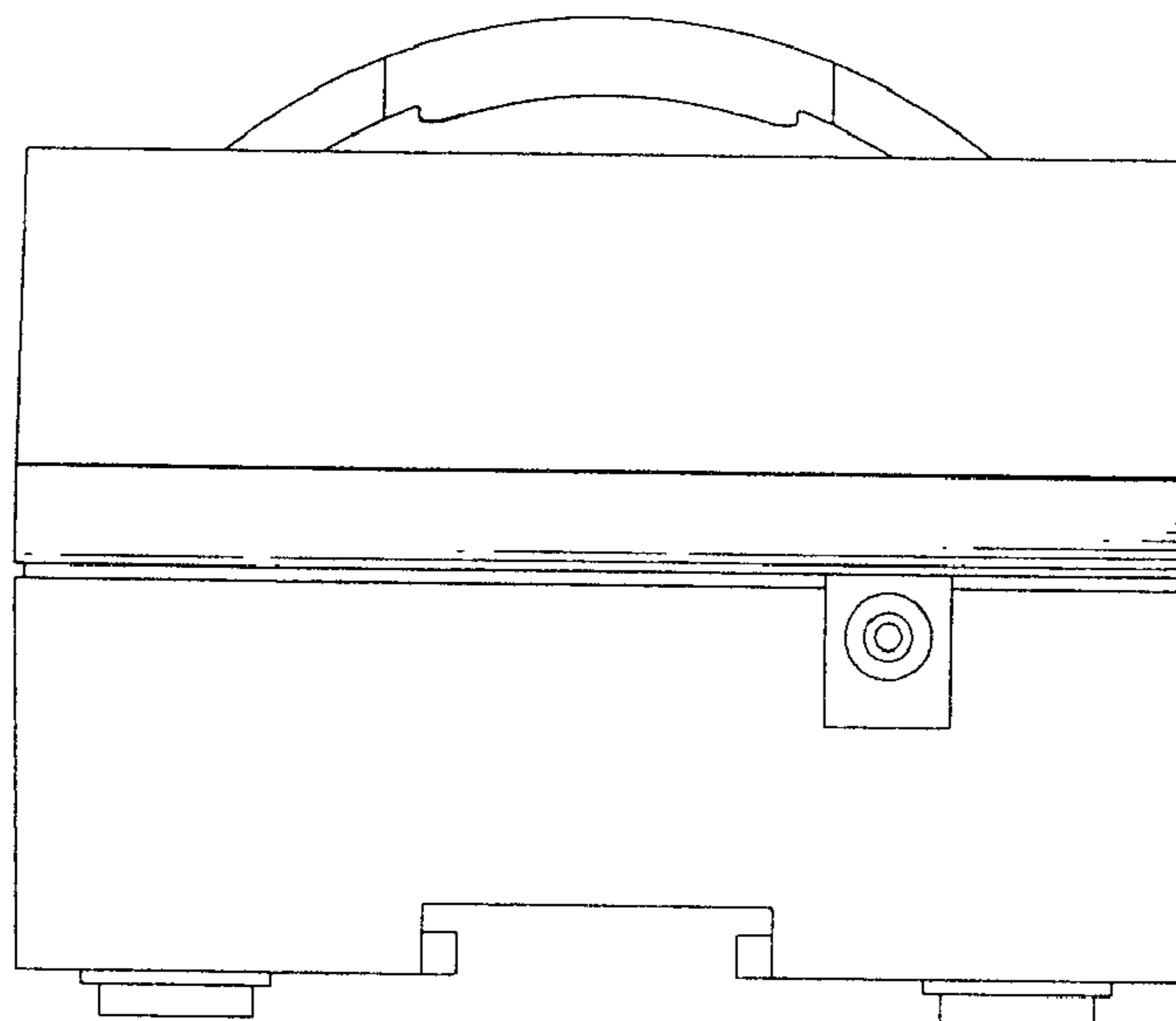


FIG. 5

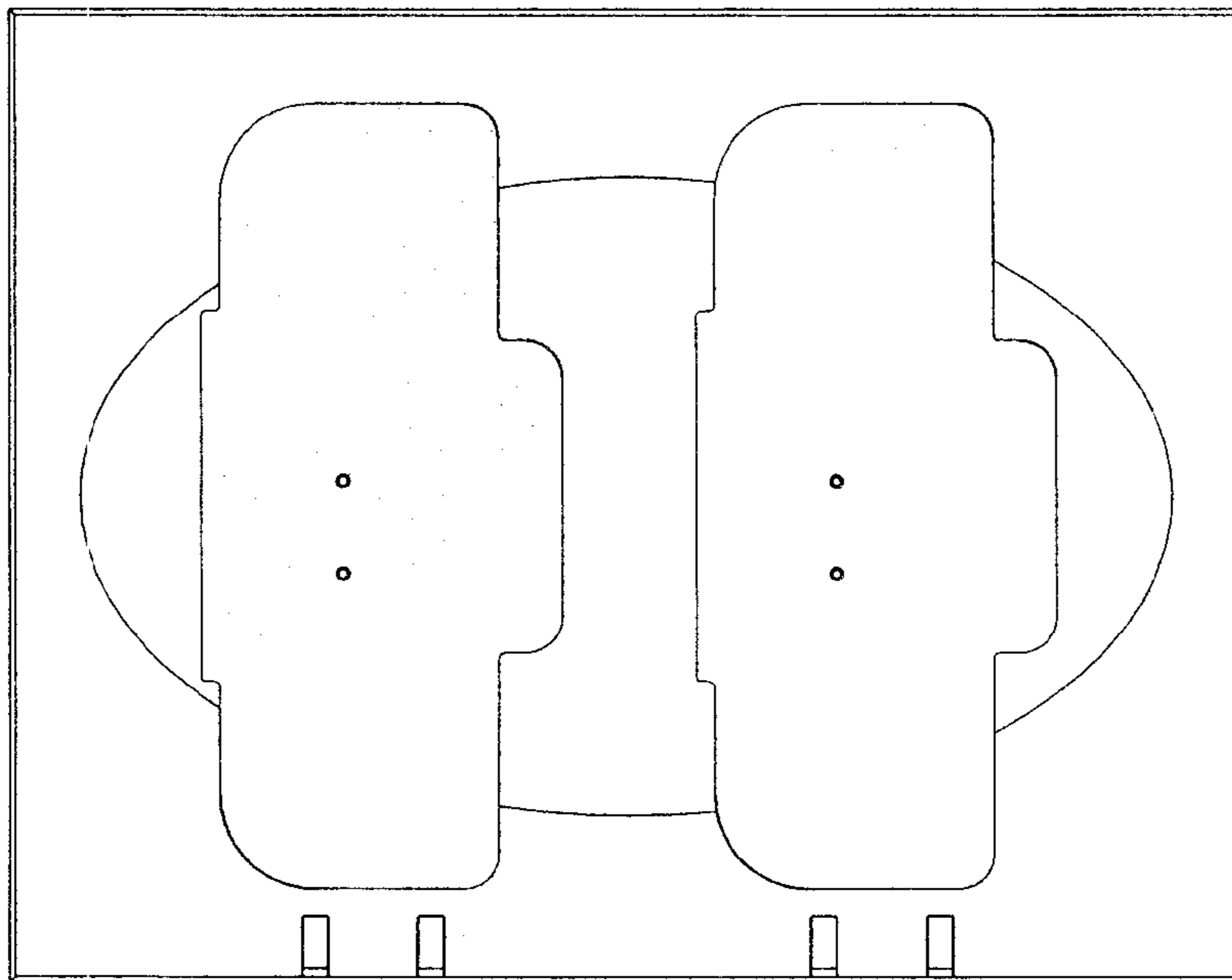


FIG. 6

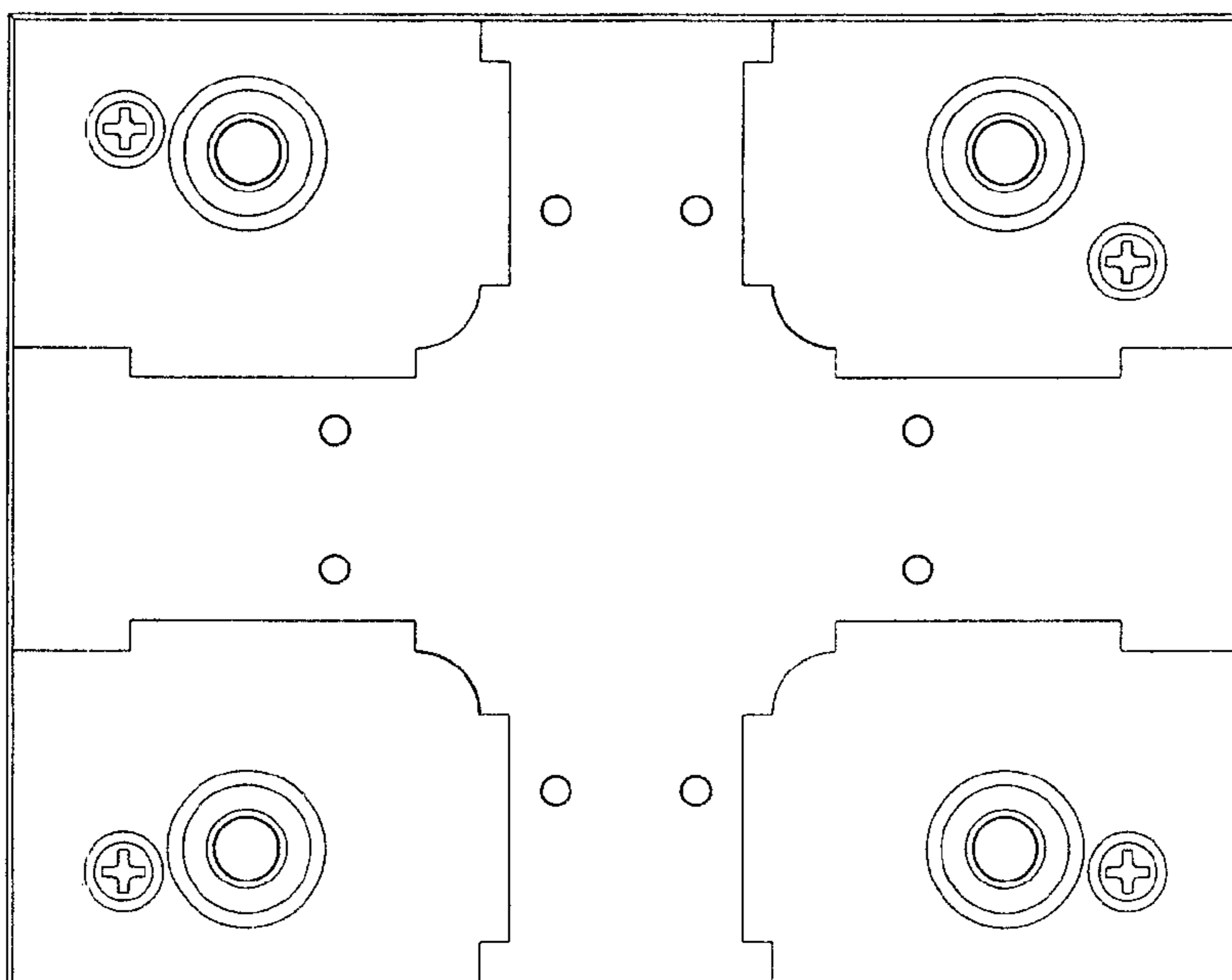


FIG. 7