



US00D532363S

(12) **United States Design Patent**
Morisawa

(10) **Patent No.:** **US D532,363 S**

(45) **Date of Patent:** **** Nov. 21, 2006**

(54) **BATTERY**

(75) Inventor: **Yujin Morisawa**, Tokyo (JP)

(73) Assignee: **Sony Corporation**, Tokyo (JP)

(**) Term: **14 Years**

(21) Appl. No.: **29/206,271**

(22) Filed: **May 28, 2004**

(51) **LOC (8) Cl.** **13-02**

(52) **U.S. Cl.** **D13/103**

(58) **Field of Classification Search** D13/102-106,
D13/110, 118-119, 184; 429/96-100, 163,
429/176

See application file for complete search history.

(56) **References Cited**

U.S. PATENT DOCUMENTS

D303,524 S	*	9/1989	Siegner et al.	D14/438
D409,137 S	*	5/1999	Sumita et al.	D13/103
D422,263 S	*	4/2000	Waldner	D13/103
D425,015 S	*	5/2000	Iwamoto	D13/103
D435,524 S	*	12/2000	Korhonen	D13/184
D440,201 S	*	4/2001	Huynh et al.	D13/103
D481,994 S	*	11/2003	Fujihara et al.	D13/103
D484,095 S	*	12/2003	Stacey	D13/110
D485,530 S		1/2004	Ogasawara		
D488,437 S		4/2004	Ogasawara		
D494,924 S	*	8/2004	Maruyama	D13/103
2005/0031954 A1	*	2/2005	Meitav et al.	429/210

FOREIGN PATENT DOCUMENTS

JP D1161434 S 12/2002

OTHER PUBLICATIONS

Web page "IBM, 02K7044" <http://www.yodobashi.com/enjoy/more/i/4800786.html> 2 sheets, Yodobashi Camera (Mar. 2004).

Web page "PCGA-BP3U" <http://www.ecat.sony.co.jp/vaio/acc/acc.cfm?pd=9756> 2 sheets, Sony (Mar. 2004).

SONY Rechargeable Battery "PCGA-BP103U" <http://www.ecat.sony.co.jp/vaio/acc.cfm?pd=11786>; Mar. 12, 2003; 1 page.

SONY Rechargeable Battery "PCGA-BP101U" <http://www.ecat.sony.co.jp/vaio/acc/acc.cfm?pd=11784>; Mar. 12, 2003; 1 page.

SONY Docketing Station "PCGA-DSM51" <http://www.sony.jp/products/Consumer/PCOM/Acc/PCGA-DSM5/index.html>; May 5, 2002; 1 page.

SONY Docketing Station "PCGA-DSM5" <http://www.sony.jp/ProductsPark/PCOM/Acc/PCGA-DSM5/index.html>; Apr. 4, 2001; 1 page.

SONY Docking Station "PCGA-DSD5" <http://www.sony.jp/ProductsPark/Consumer/PCOM/Acc/PCOM/Acc/PCGA-DSD5/index.html>; Apr. 4, 2001; 1 page.

* cited by examiner

Primary Examiner—Jennifer Rivard

Assistant Examiner—Rosemary K. Tarcza

(74) *Attorney, Agent, or Firm*—Rader, Fishman & Grauer PLLC

(57) **CLAIM**

The ornamental design for a battery, as shown.

DESCRIPTION

FIG. 1 is a perspective view of a first embodiment of a battery showing my new design;

FIG. 2 is a front elevational view thereof;

FIG. 3 is a rear elevational view thereof;

FIG. 4 is a left side elevational view thereof;

FIG. 5 is a right side elevational view thereof;

FIG. 6 is a top plan view thereof; and

FIG. 7 is a bottom plan view thereof;

FIG. 8 is a perspective view of a second embodiment of a battery showing my new design;

FIG. 9 is a front elevational view thereof;

FIG. 10 is a rear elevational view thereof;

FIG. 11 is a left side elevational view thereof;

FIG. 12 is a right side elevational view thereof;

FIG. 13 is a top plan view thereof; and,

FIG. 14 is a bottom plan view thereof.

1 Claim, 8 Drawing Sheets

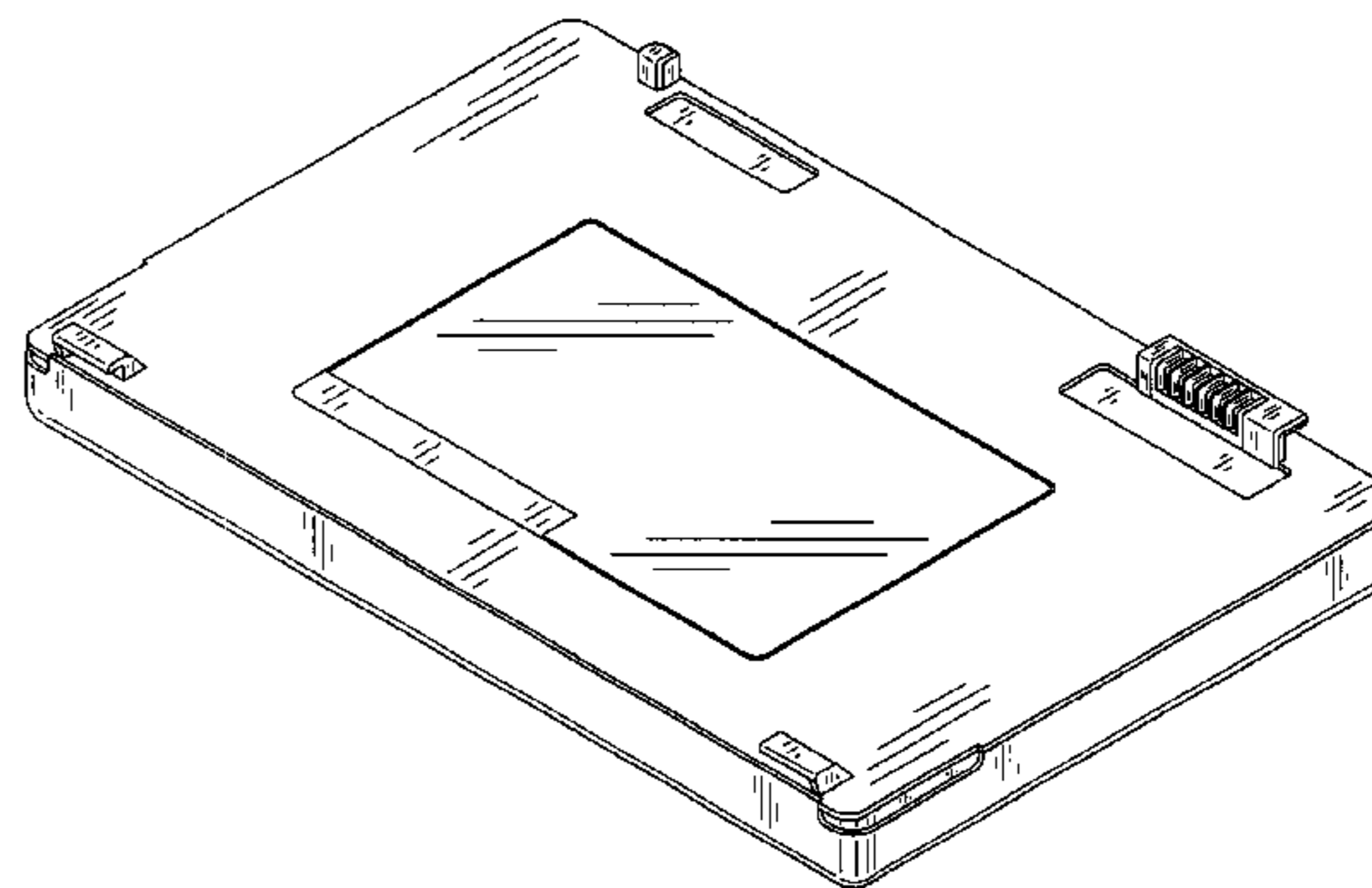
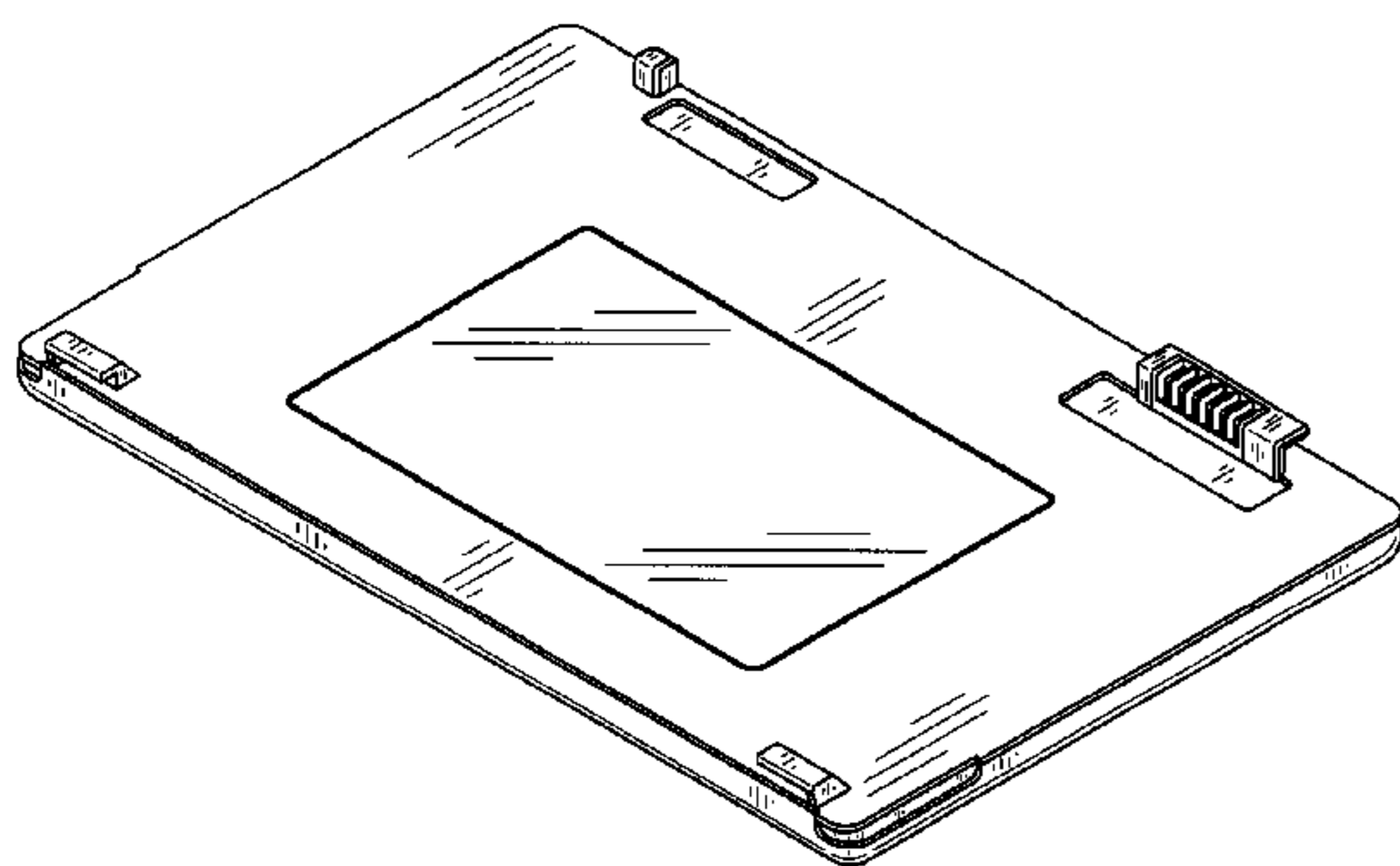


Fig. 1

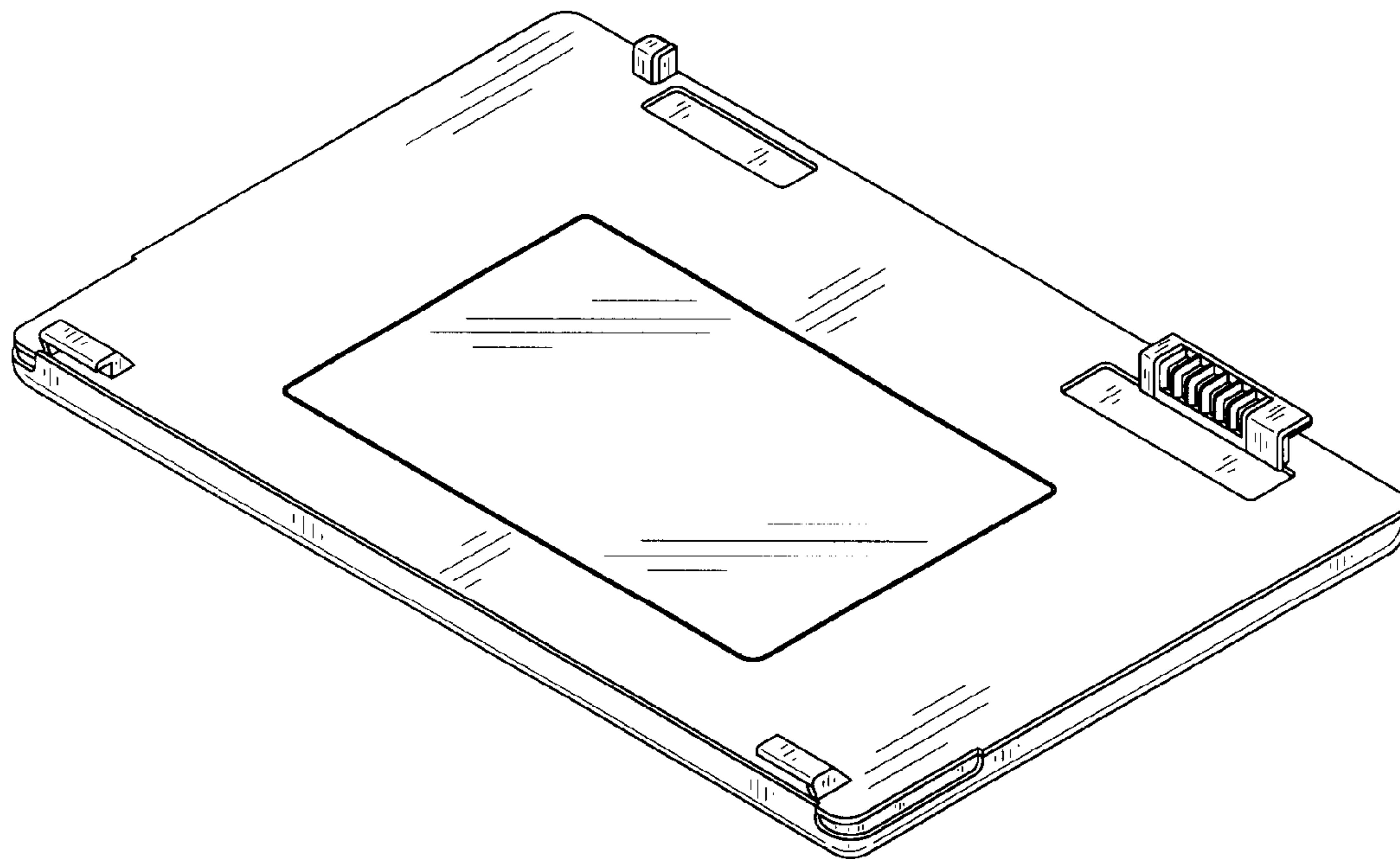


Fig.2

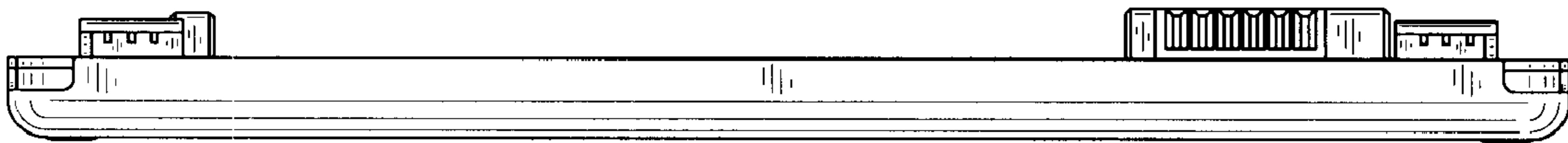


Fig.3

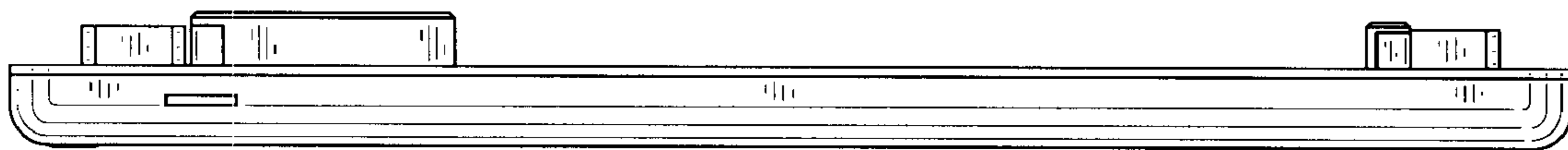


Fig.4

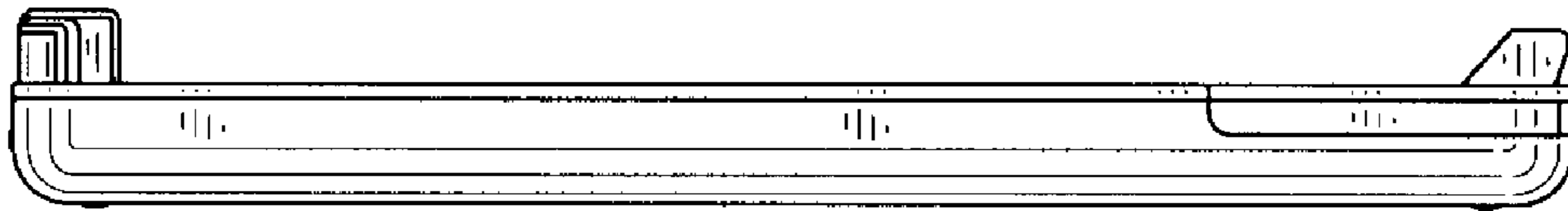


Fig.5

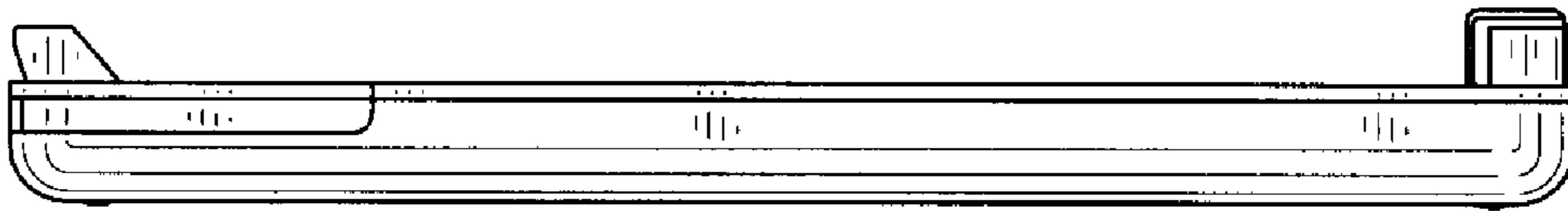


Fig.6

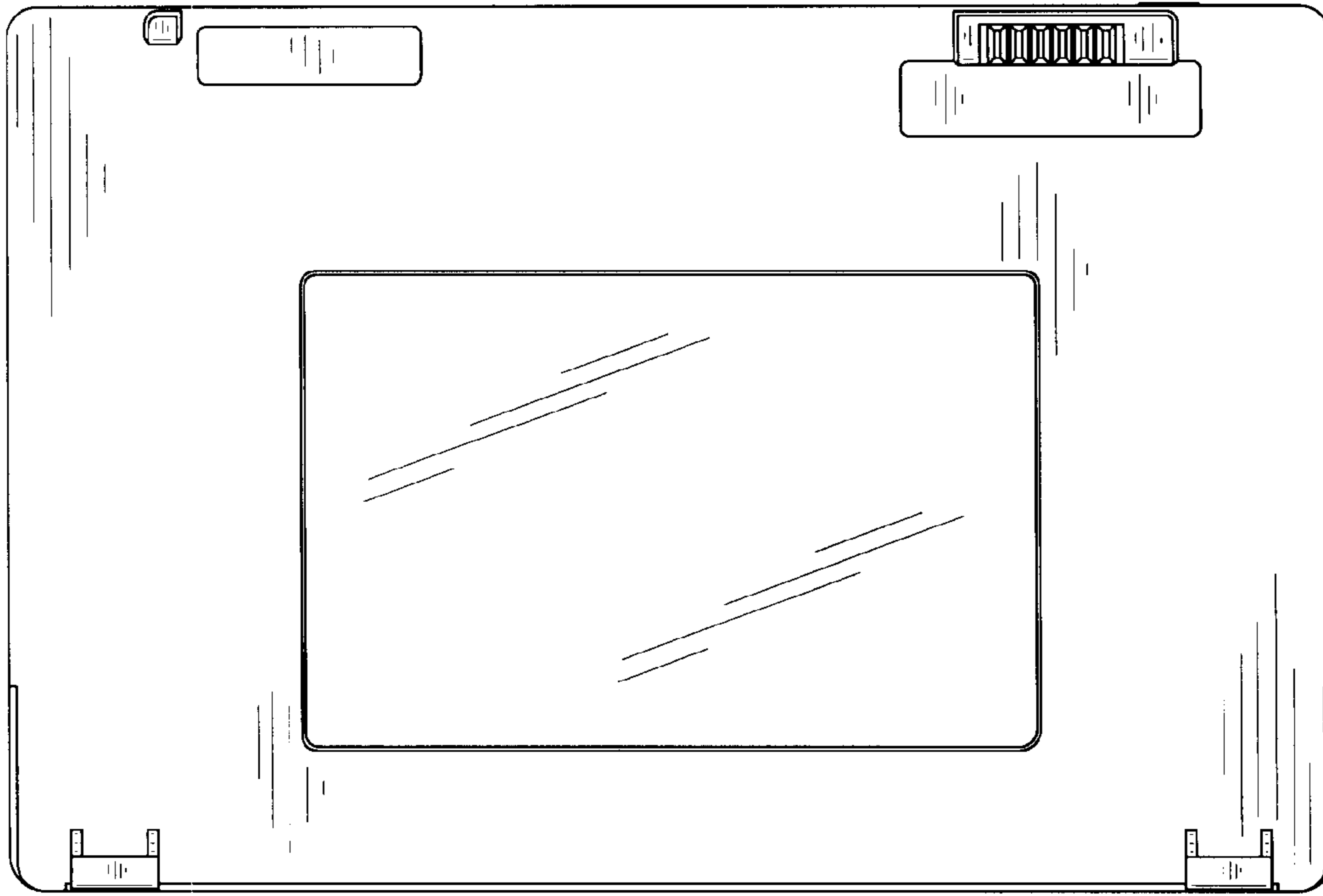


Fig.7

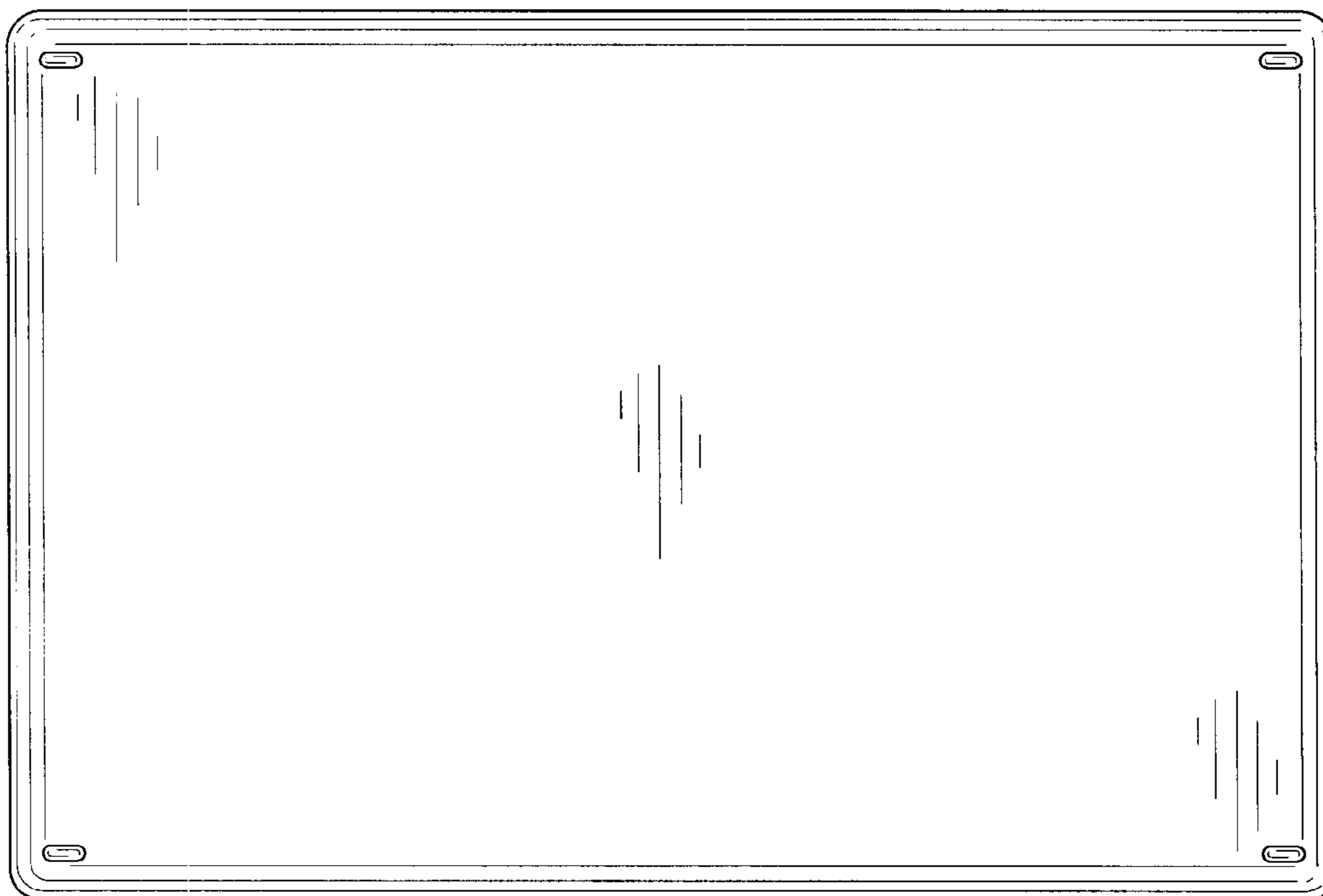


Fig.8

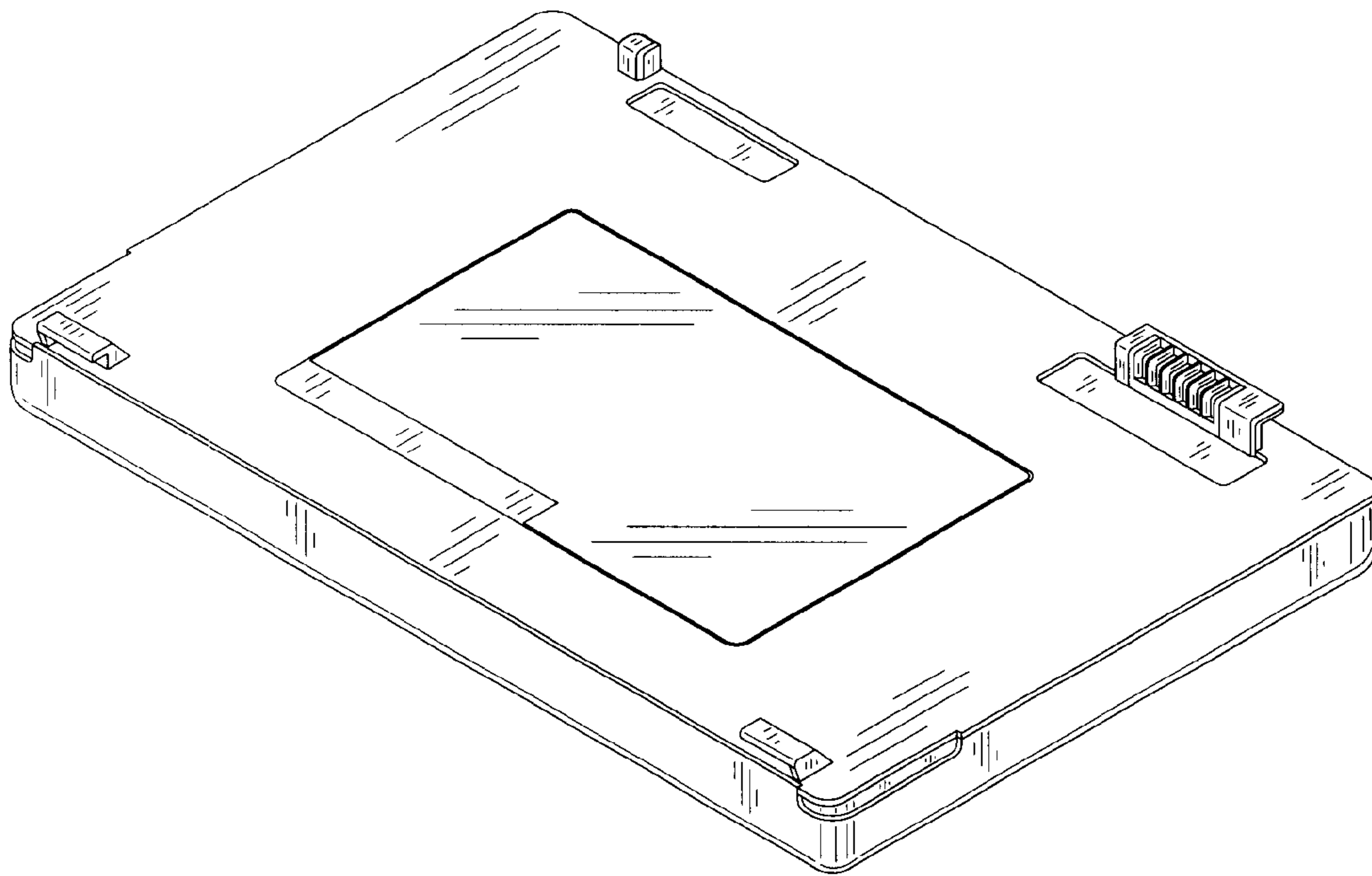


Fig.9

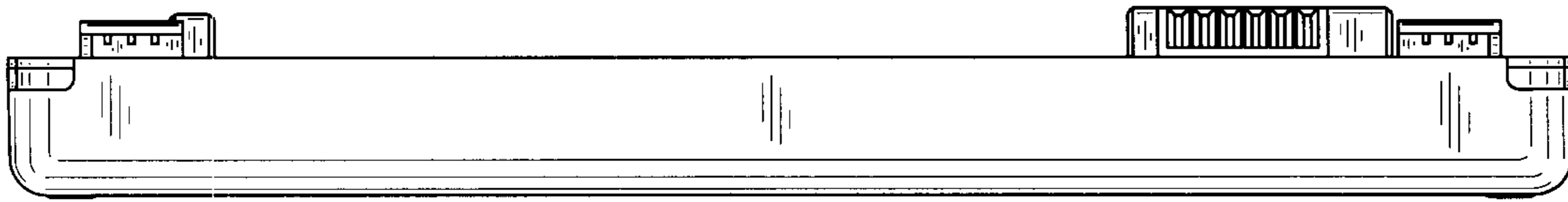


Fig.10

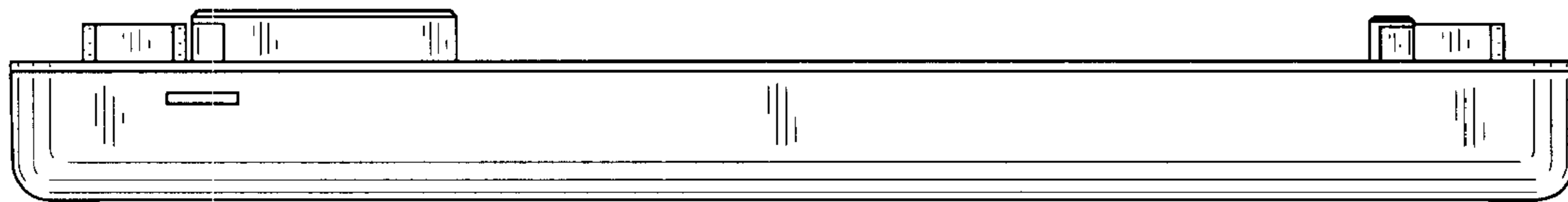


Fig.11

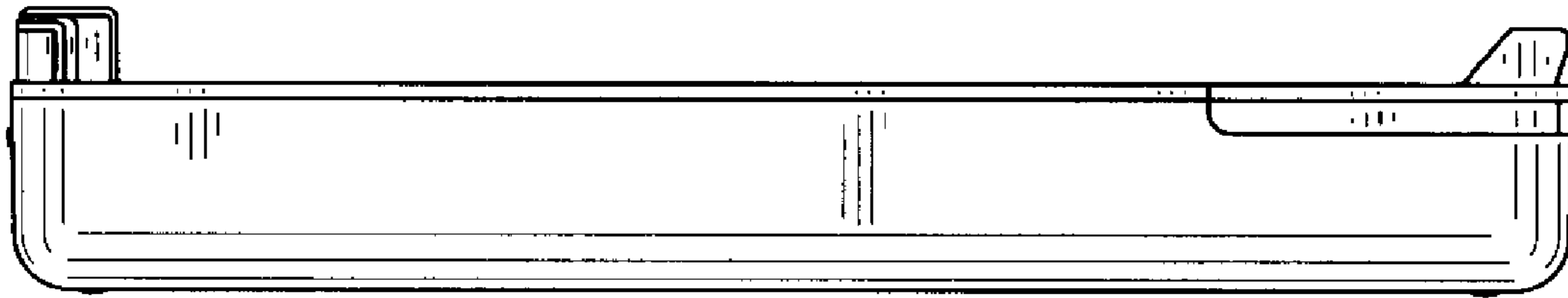


Fig.12



Fig.13

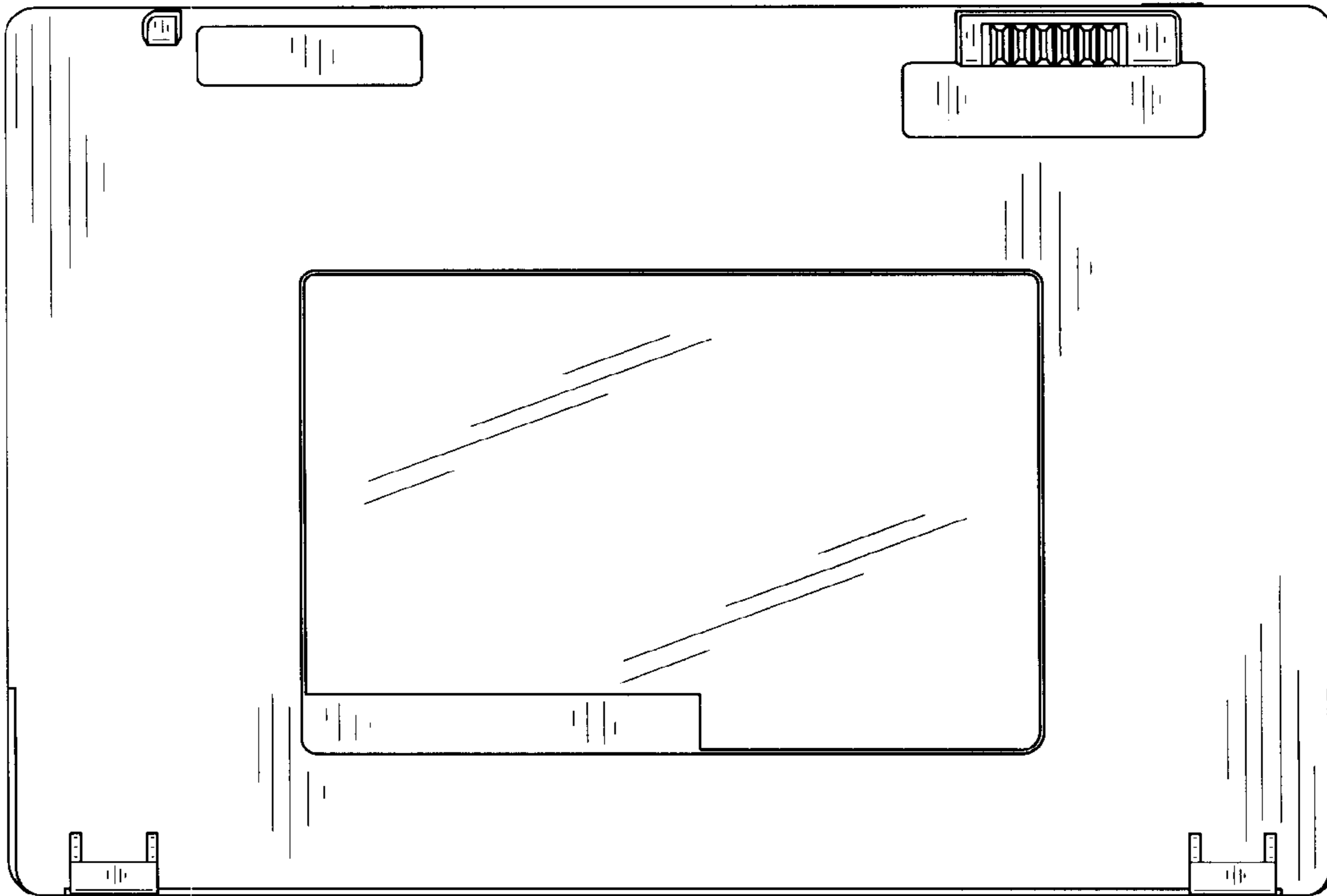


Fig.14

