

US00D532358S

(12) **United States Design Patent**
Blasi

(10) **Patent No.:** **US D532,358 S**

(45) **Date of Patent:** **** Nov. 21, 2006**

(54) **FRONT FACE OF A VEHICLE WHEEL**

(75) Inventor: **Juliane Blasi**, Munich (DE)

(73) Assignee: **Bayerische Motoren Werke
Aktiengesellschaft**, Munich (DE)

(**) Term: **14 Years**

(21) Appl. No.: **29/258,756**

(22) Filed: **Apr. 27, 2006**

(30) **Foreign Application Priority Data**

Oct. 28, 2005 (DE) 4 05 05 625

(51) **LOC (8) Cl.** **12-16**

(52) **U.S. Cl.** **D12/211**

(58) **Field of Classification Search** D12/204-213;
301/37.101, 64.101, 65

See application file for complete search history.

(56) **References Cited**

U.S. PATENT DOCUMENTS

D414,454 S * 9/1999 Chung D12/211

D445,753 S * 7/2001 Neeper D12/211
D457,119 S * 5/2002 Braun et al. D12/211
D502,679 S * 3/2005 Boyer D12/211
D506,965 S * 7/2005 Kataoka D12/209
D520,434 S * 5/2006 Fahr-Becker D12/211
D520,933 S * 5/2006 Pfeiffer D12/211
D522,430 S * 6/2006 Nordmann D12/209
D522,439 S * 6/2006 Laengerer D12/211
D522,954 S * 6/2006 Hueller D12/211

* cited by examiner

Primary Examiner—Stacia Cadmus

(74) *Attorney, Agent, or Firm*—Crowell & Moring LLP

(57) **CLAIM**

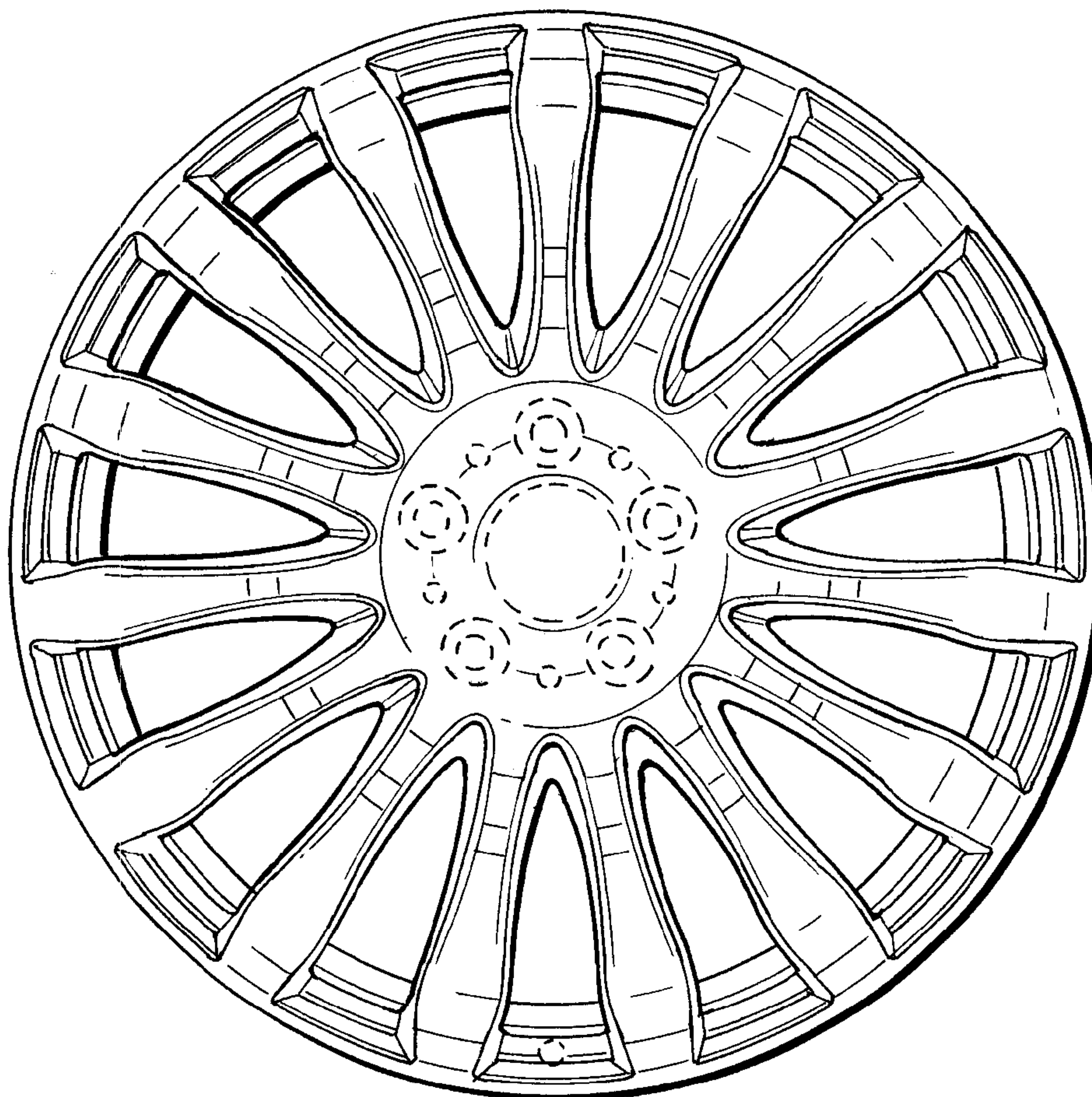
The ornamental design for a front face of a vehicle wheel,
as shown and described.

DESCRIPTION

FIG. 1 is a front view of a front face of a vehicle wheel
according to my novel design; and,
FIG. 2 is a perspective view thereof.

The broken lines are for illustrative purposes only and form
no part of the claimed design.

1 Claim, 1 Drawing Sheet



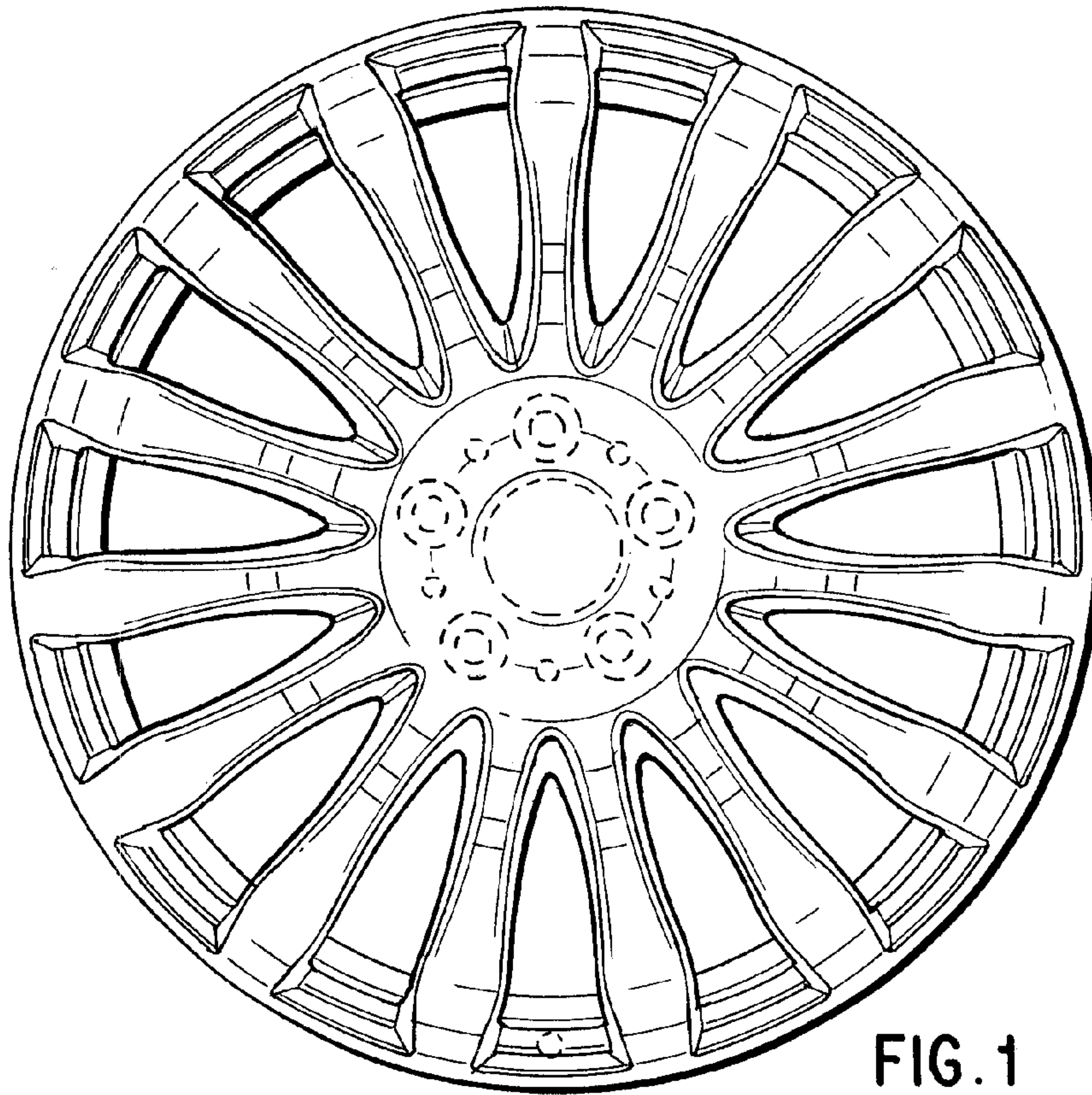


FIG. 1

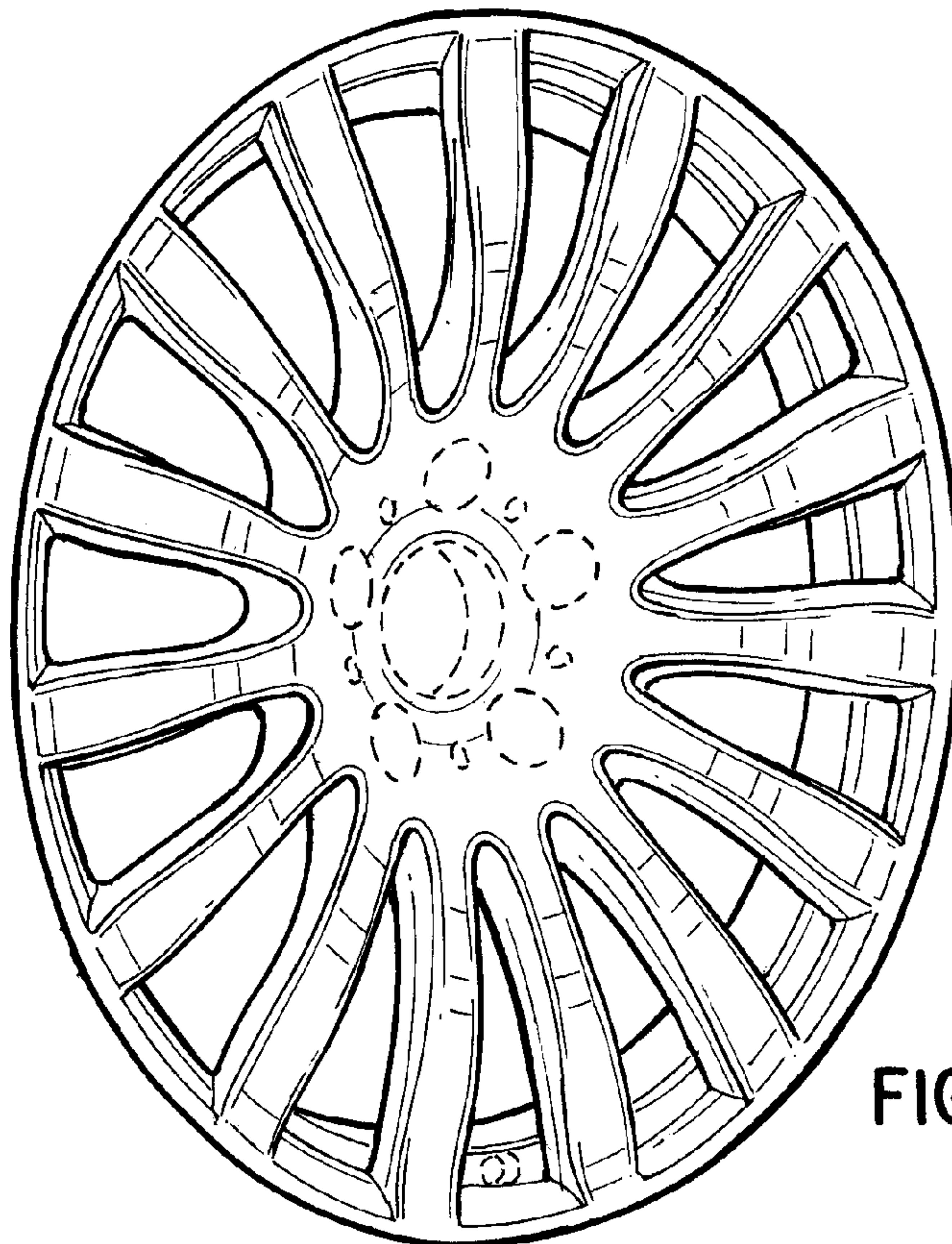


FIG. 2