



US00D532357S

(12) **United States Design Patent**
Pfeiffer

(10) **Patent No.:** **US D532,357 S**

(45) **Date of Patent:** **** Nov. 21, 2006**

(54) **FRONT FACE OF A VEHICLE WHEEL**

(75) Inventor: **Peter Pfeiffer**, Boeblingen (DE)

(73) Assignee: **DaimlerChrysler AG**, Stuttgart (DE)

(**) Term: **14 Years**

(21) Appl. No.: **29/233,131**

(22) Filed: **Jun. 29, 2005**

(30) **Foreign Application Priority Data**

Jan. 25, 2005 (DE) 40500329

(51) **LOC (8) Cl.** **12-16**

(52) **U.S. Cl.** **D12/211**

(58) **Field of Classification Search** D12/204-213;
301/37.101, 64.101, 65

See application file for complete search history.

(56) **References Cited**

U.S. PATENT DOCUMENTS

| | | | | | |
|------------|---|---------|-----------------|-------|---------|
| D225,626 S | * | 12/1972 | Davidson | | D12/209 |
| D268,261 S | * | 3/1983 | Boyer | | D12/211 |
| D268,750 S | * | 4/1983 | Eichstadt | | D12/209 |
| D327,049 S | * | 6/1992 | Boyer | | D12/211 |
| D402,951 S | * | 12/1998 | Wechner | | D12/211 |
| D428,847 S | * | 8/2000 | Hussaini et al. | | D12/211 |
| D438,162 S | * | 2/2001 | Syring | | D12/211 |
| D441,705 S | * | 5/2001 | Brintouch | | D12/204 |
| D453,136 S | * | 1/2002 | Frizzi | | D12/211 |

| | | | | | |
|------------|---|---------|-----------------|-------|---------|
| D454,327 S | * | 3/2002 | Bux | | D12/211 |
| D464,009 S | * | 10/2002 | Laengerer | | D12/211 |
| D466,851 S | * | 12/2002 | Pfeiffer et al. | | D12/211 |
| D472,865 S | * | 4/2003 | Wechner | | D12/211 |
| D480,035 S | * | 9/2003 | Frohlich | | D12/211 |
| D499,685 S | * | 12/2004 | Schaefers | | D12/211 |
| D505,906 S | * | 6/2005 | Pfeiffer | | D12/211 |
| D509,467 S | * | 9/2005 | Gabath | | D12/211 |
| D516,003 S | * | 2/2006 | Huet | | D12/211 |

* cited by examiner

Primary Examiner—Stacia Cadmus

(74) *Attorney, Agent, or Firm*—Crowell & Moring LLP

(57) **CLAIM**

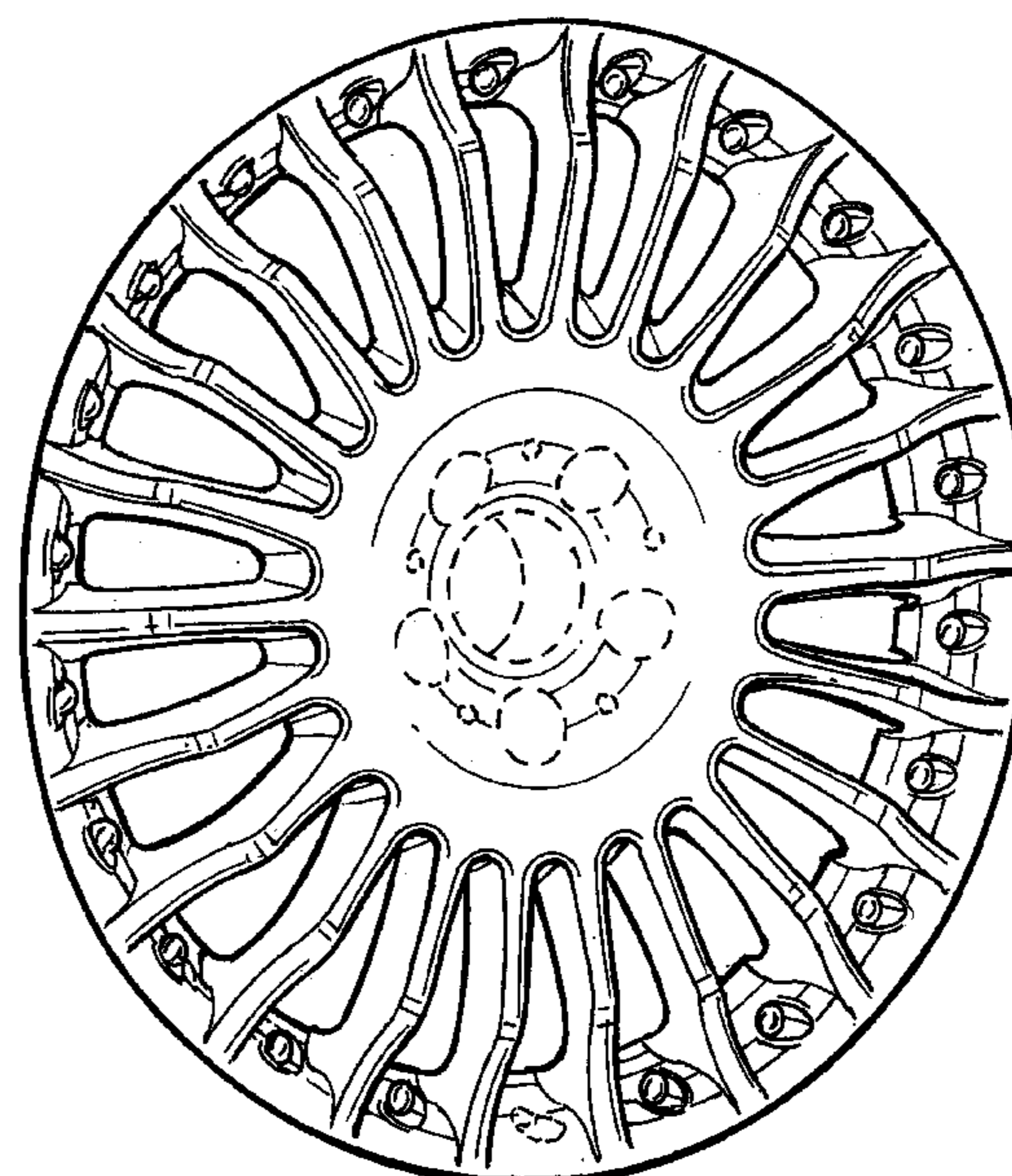
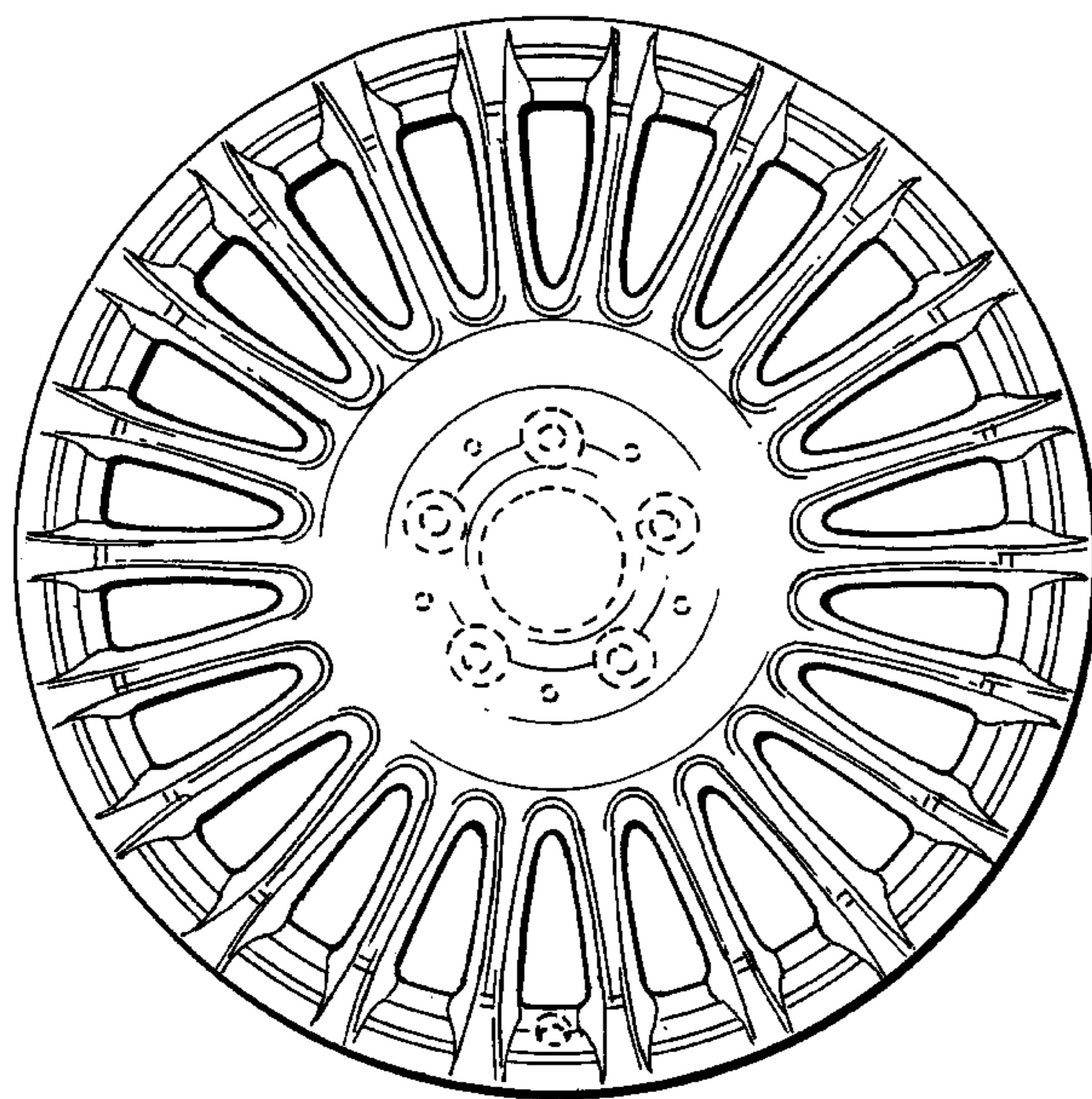
The ornamental design for a front face of a vehicle wheel, as shown and described.

DESCRIPTION

FIG. 1 is a front view of a first embodiment of a front face of a vehicle wheel according to my novel design; FIG. 2 is a perspective view of the first embodiment of the front face of a vehicle wheel according to my novel design; FIG. 3 is a front view of a second embodiment of the front face of a vehicle wheel according to my novel design; and, FIG. 4 is a perspective view of the second embodiment of the front face of a vehicle wheel according to my novel design.

The broken lines are for illustrative purposes only and form no part of the claimed design.

1 Claim, 2 Drawing Sheets



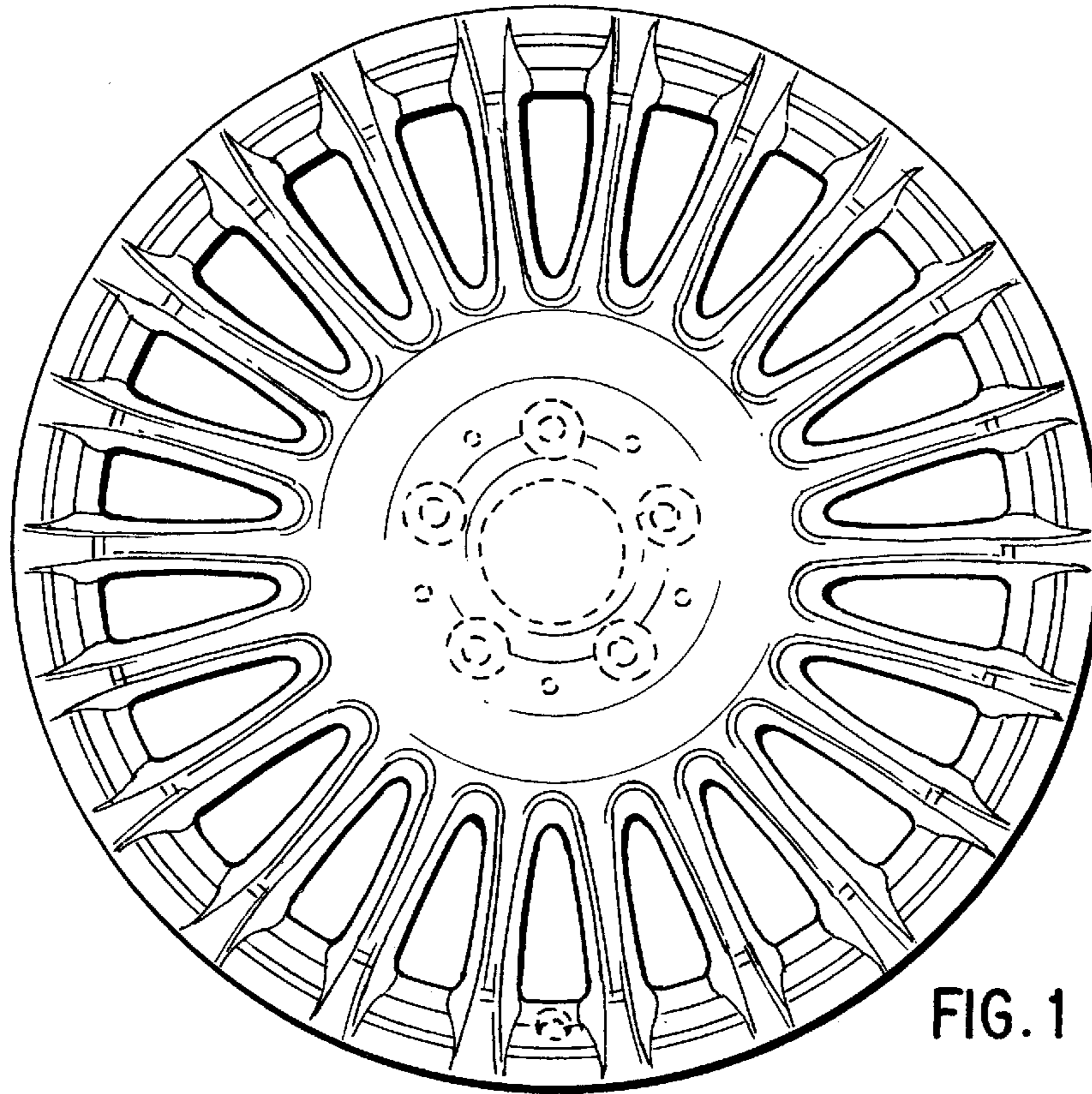


FIG. 1

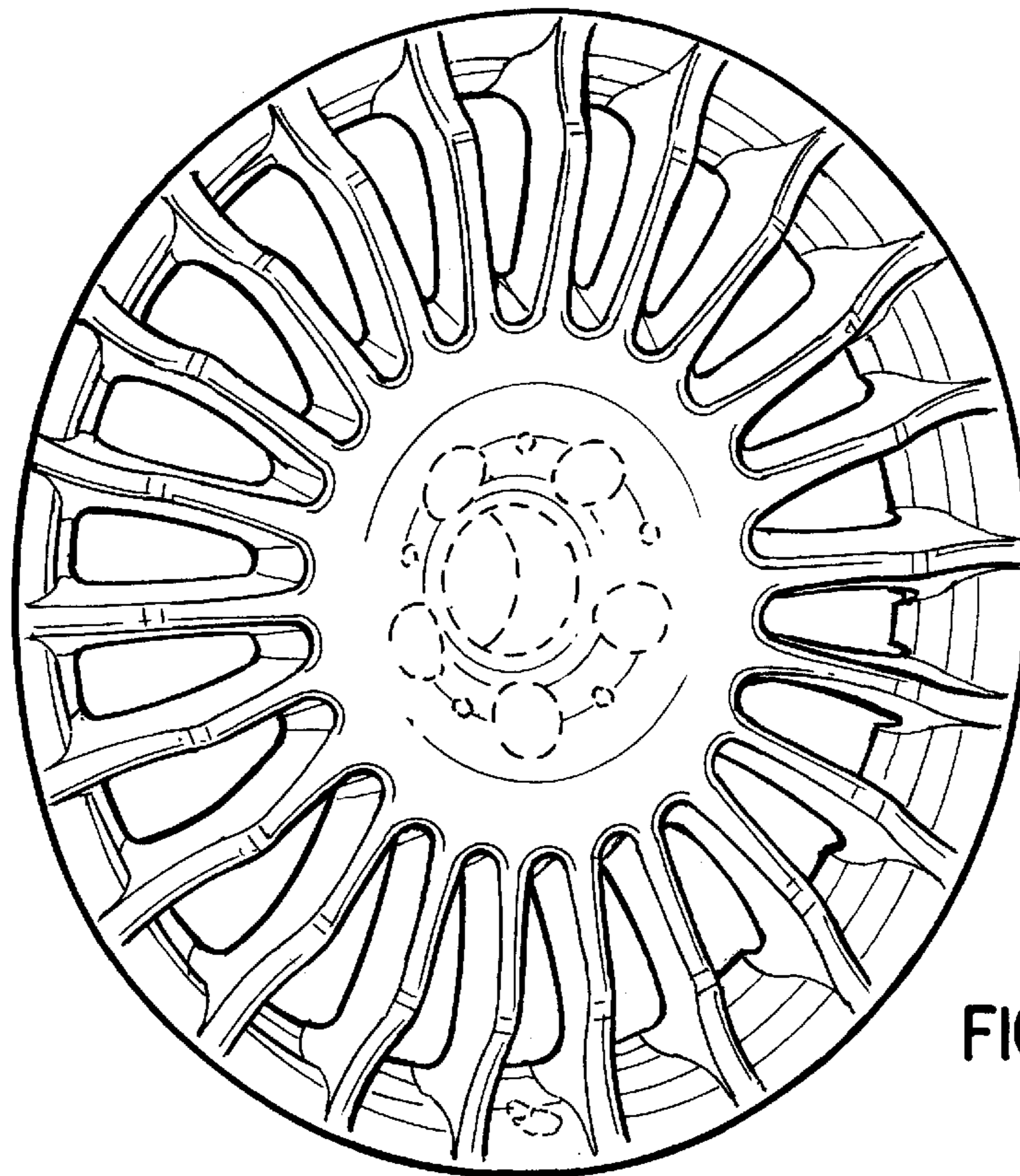


FIG. 2

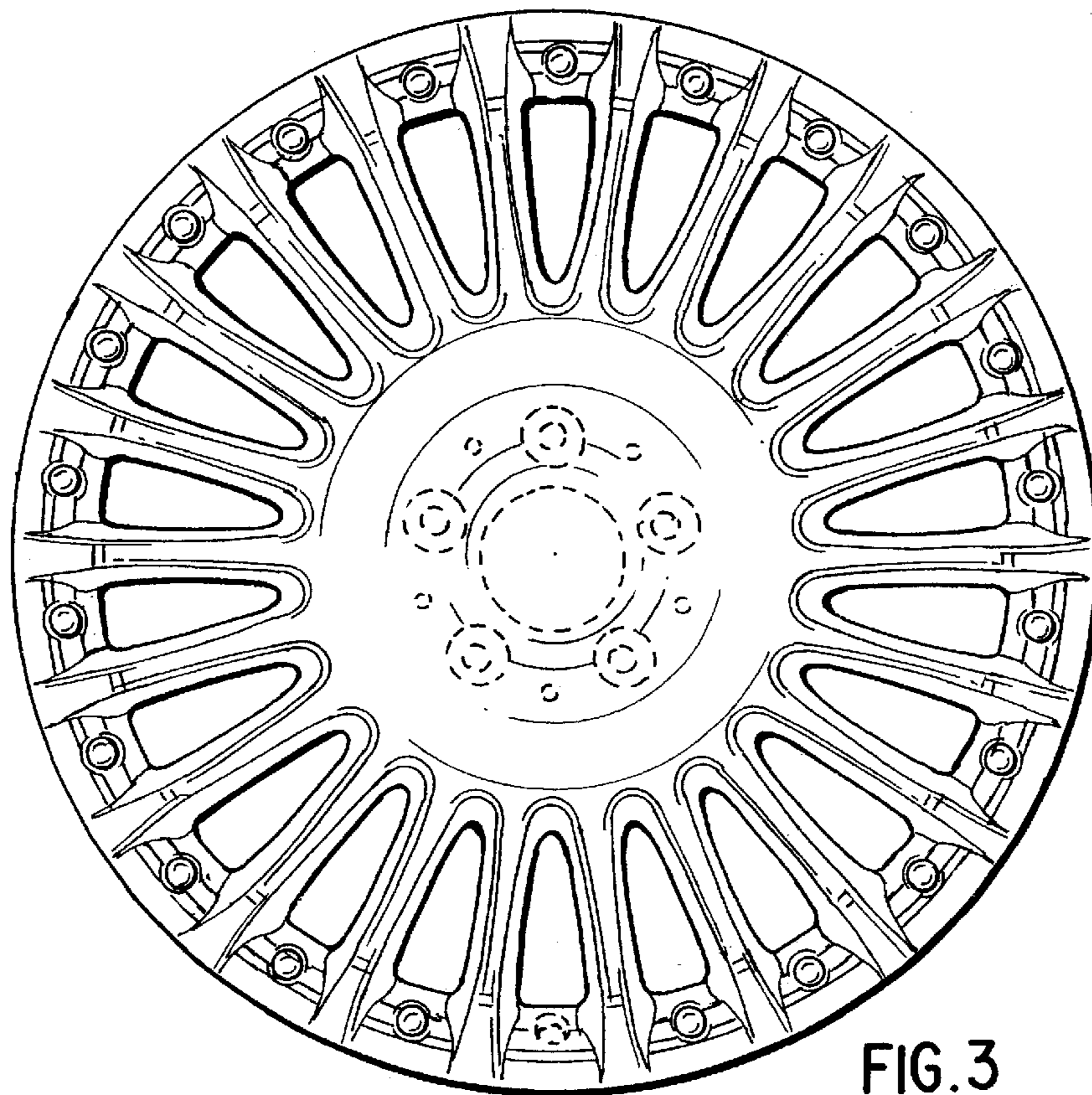


FIG. 3

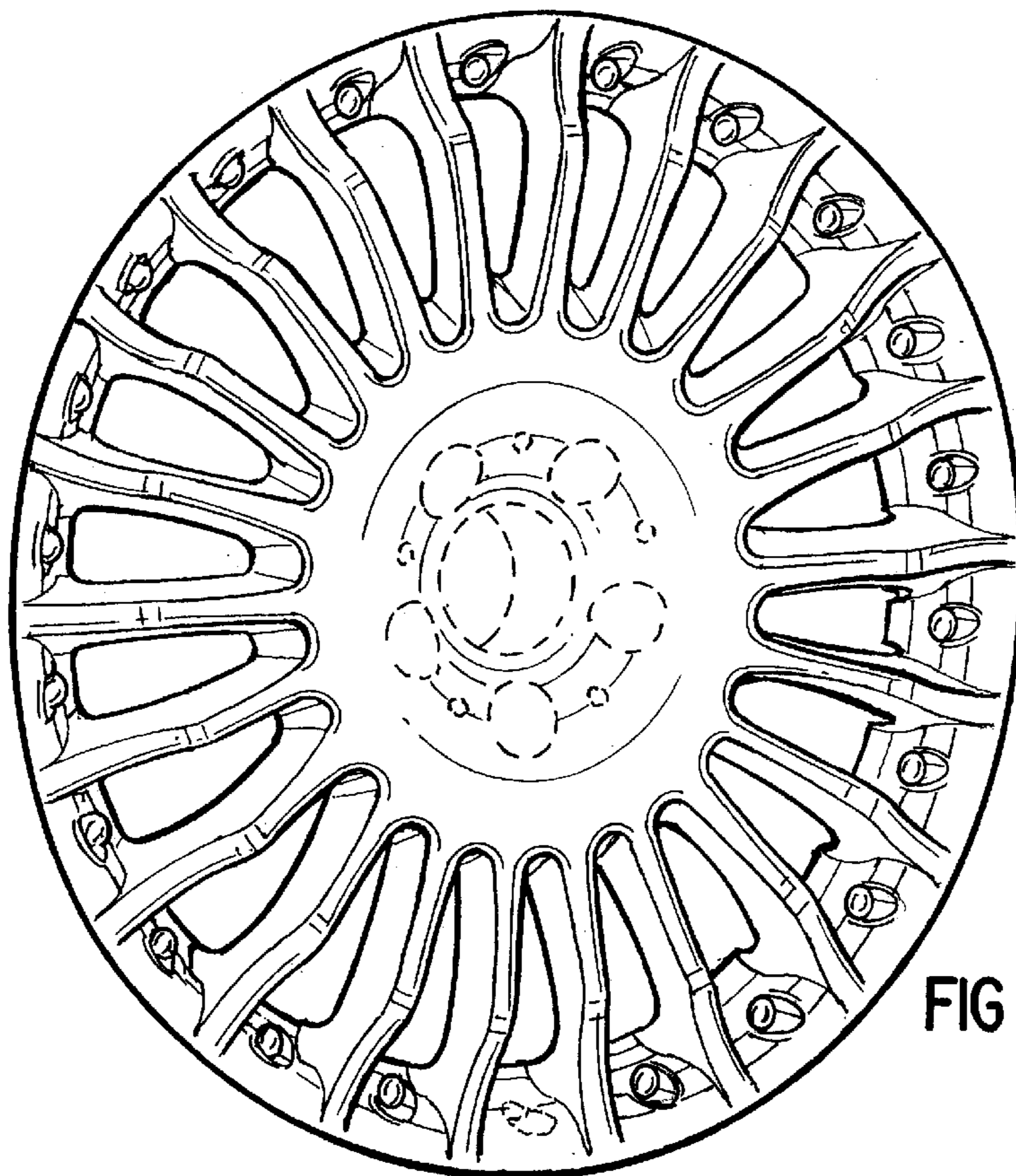


FIG. 4