



US00D532356S

(12) **United States Design Patent**  
**Bernoni**

(10) **Patent No.:** **US D532,356 S**

(45) **Date of Patent:** **\*\* Nov. 21, 2006**

(54) **WHEEL FOR A MOTOR VEHICLE**

(75) **Inventor:** **Claudio Bernoni**, Selvazzano Dentro (IT)

(73) **Assignee:** **O.Z. S.p.A.**, Vicenza (IT)

(\*\*) **Term:** **14 Years**

(21) **Appl. No.:** **29/218,254**

(22) **Filed:** **Nov. 30, 2004**

(30) **Foreign Application Priority Data**

Jun. 1, 2004 (EM) ..... 000184593

(51) **LOC (8) Cl.** ..... **12-16**

(52) **U.S. Cl.** ..... **D12/211**

(58) **Field of Classification Search** ..... D12/204-213;  
301/37.101, 64.101, 65

See application file for complete search history.

(56) **References Cited**

**U.S. PATENT DOCUMENTS**

D413,853 S	*	9/1999	Hale, Jr.	.....	D12/211
D414,454 S	*	9/1999	Chung	.....	D12/211
D457,119 S	*	5/2002	Braun et al.	.....	D12/211
D487,569 S	*	3/2004	Laengerer	.....	D12/211
D504,382 S	*	4/2005	Elmitt	.....	D12/211
D504,647 S	*	5/2005	Leclercq	.....	D12/209

D506,967 S	*	7/2005	Kamimura	.....	D12/211
D507,775 S	*	7/2005	Pfeiffer	.....	D12/211
D520,434 S	*	5/2006	Fahr-Becker	.....	D12/211
D520,933 S	*	5/2006	Pfeiffer	.....	D12/211
D522,430 S	*	6/2006	Nordmann	.....	D12/209
D522,950 S	*	6/2006	Pfeiffer	.....	D12/211
D522,954 S	*	6/2006	Hueller	.....	D12/211

\* cited by examiner

*Primary Examiner*—Stacia Cadmus

(74) *Attorney, Agent, or Firm*—Fay, Sharpe, Fagan, Minnich & McKee, LLP

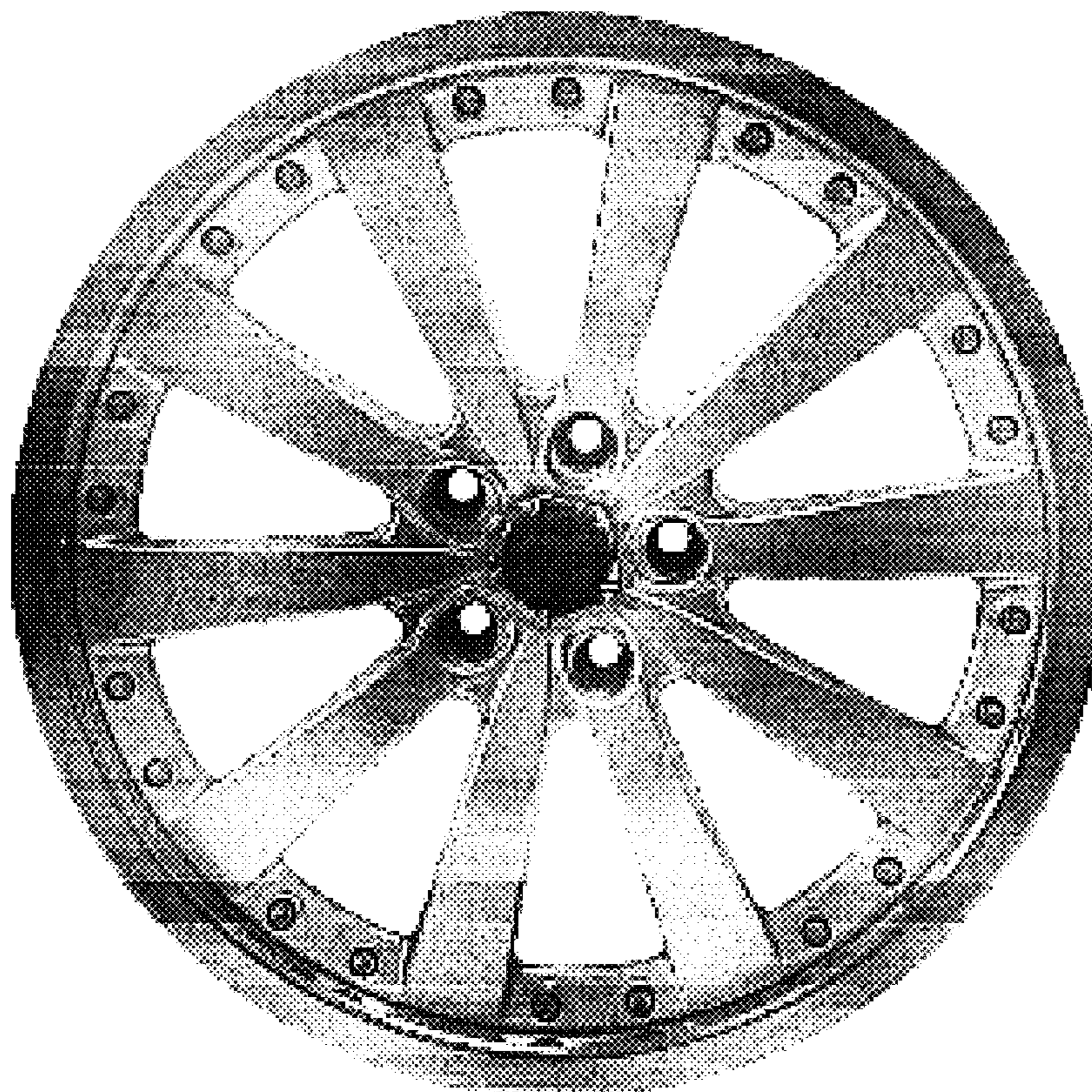
(57) **CLAIM**

The ornamental design for a wheel for a motor vehicle, as shown and described.

**DESCRIPTION**

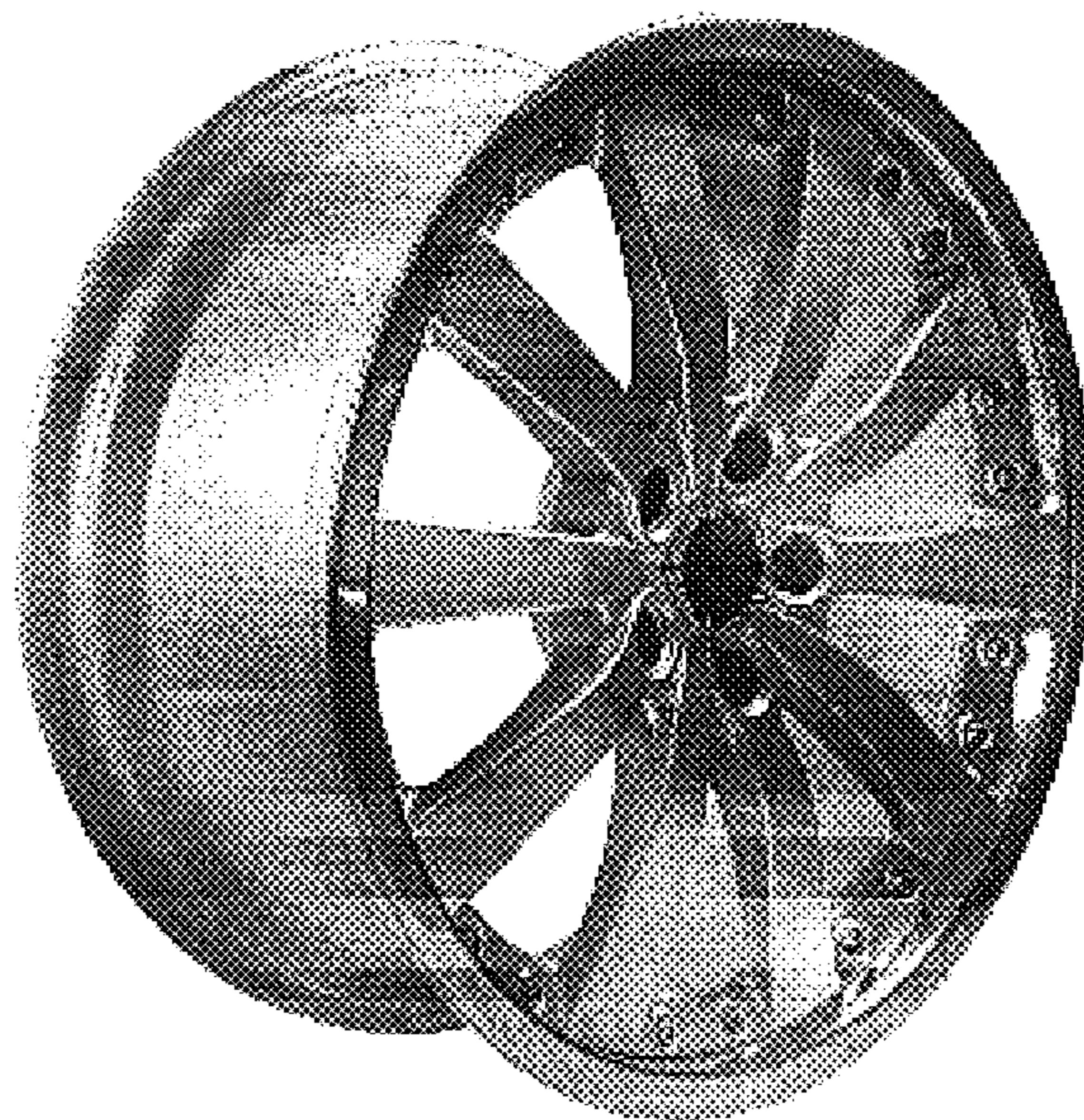
FIG. 1 is a front perspective view of a wheel for a motor vehicle showing my new design;  
FIG. 2 is a further front perspective view thereof;  
FIG. 3 is a front view thereof;  
FIG. 4 is a rear side view thereof;  
FIG. 5 is a right side view thereof;  
FIG. 6 is a left side view thereof;  
FIG. 7 is a top plan view thereof; and,  
FIG. 8 is a bottom plan view thereof.

**1 Claim, 3 Drawing Sheets**

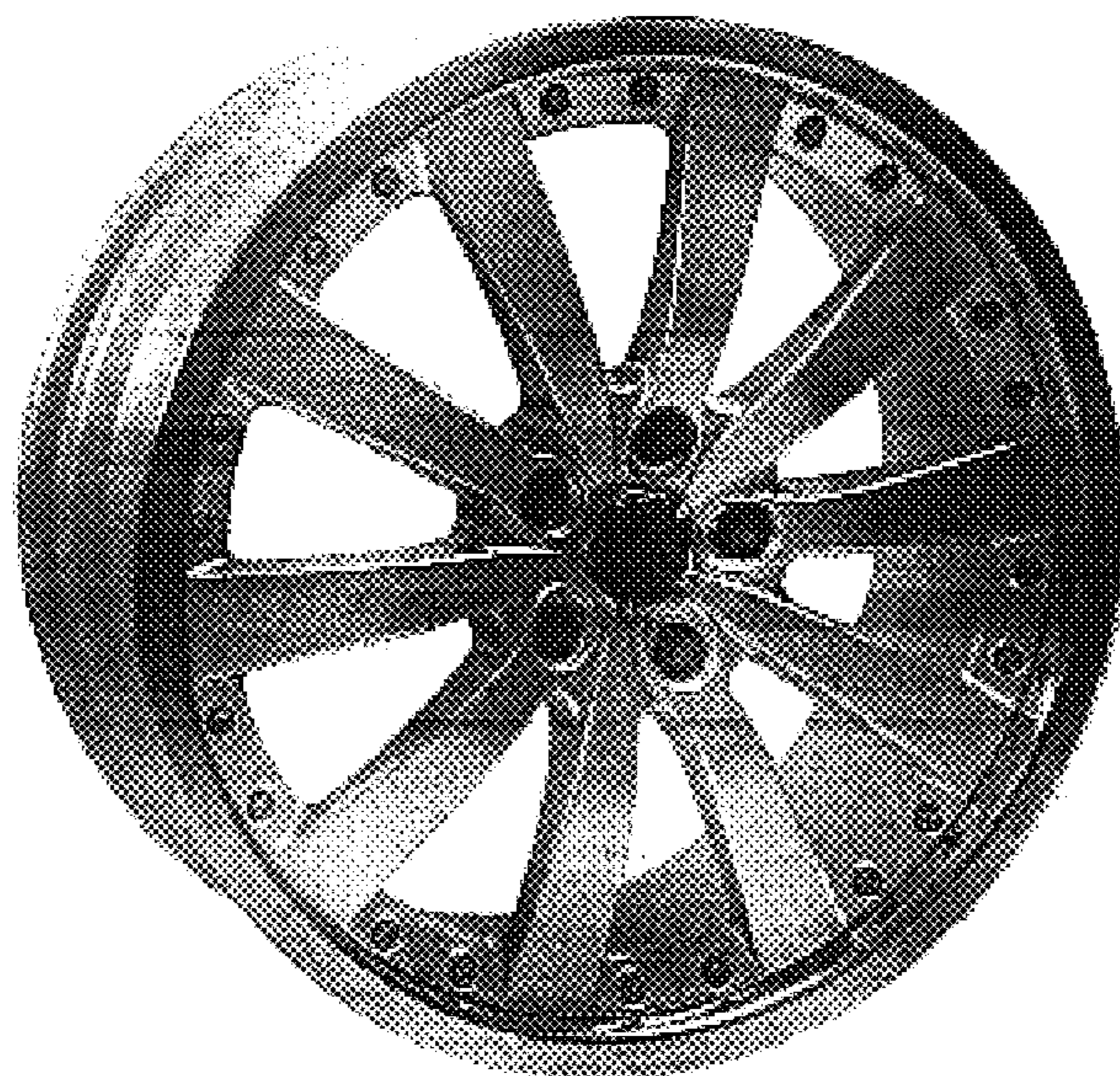




*FIG. 1*

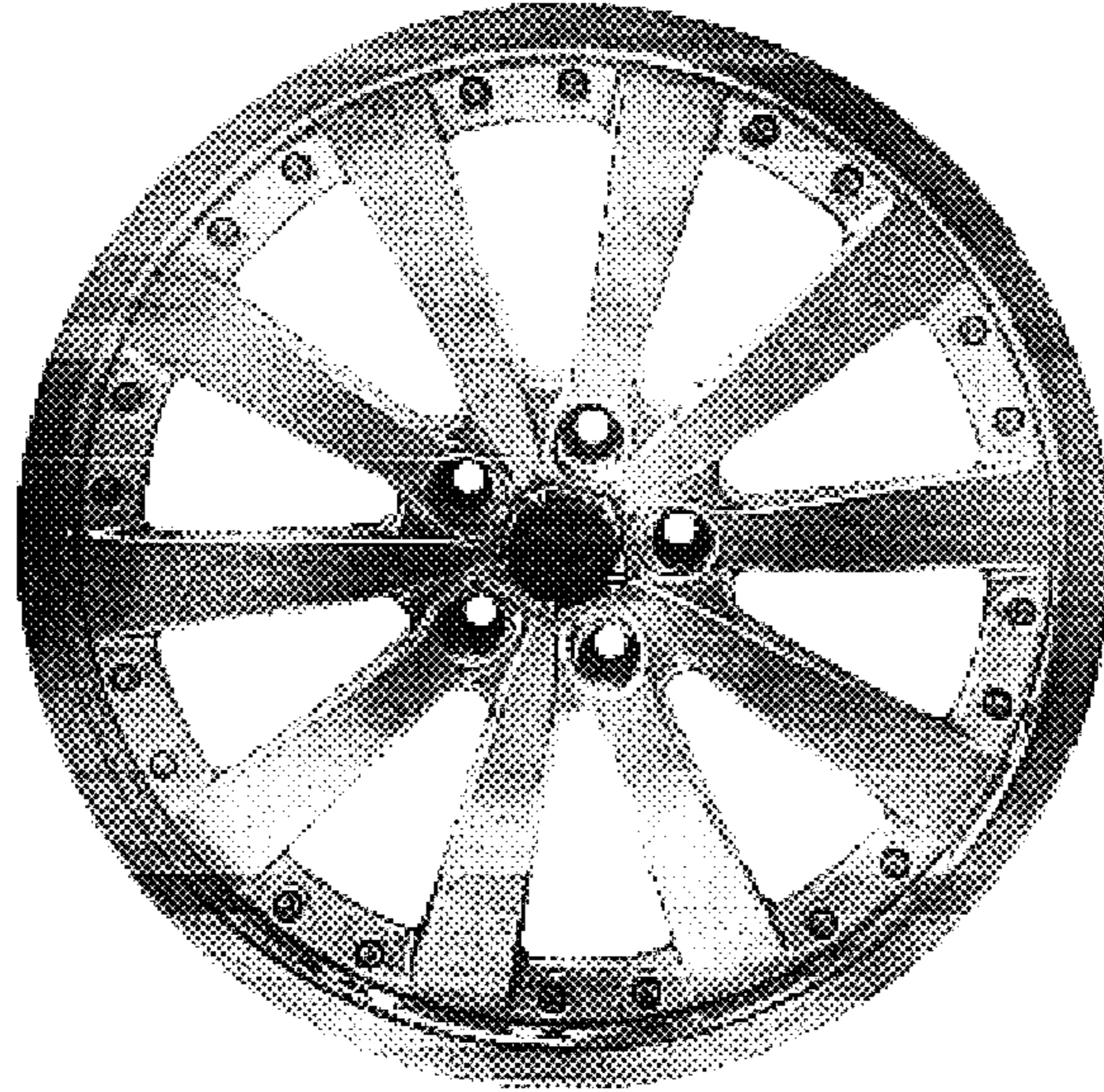


*FIG. 2*

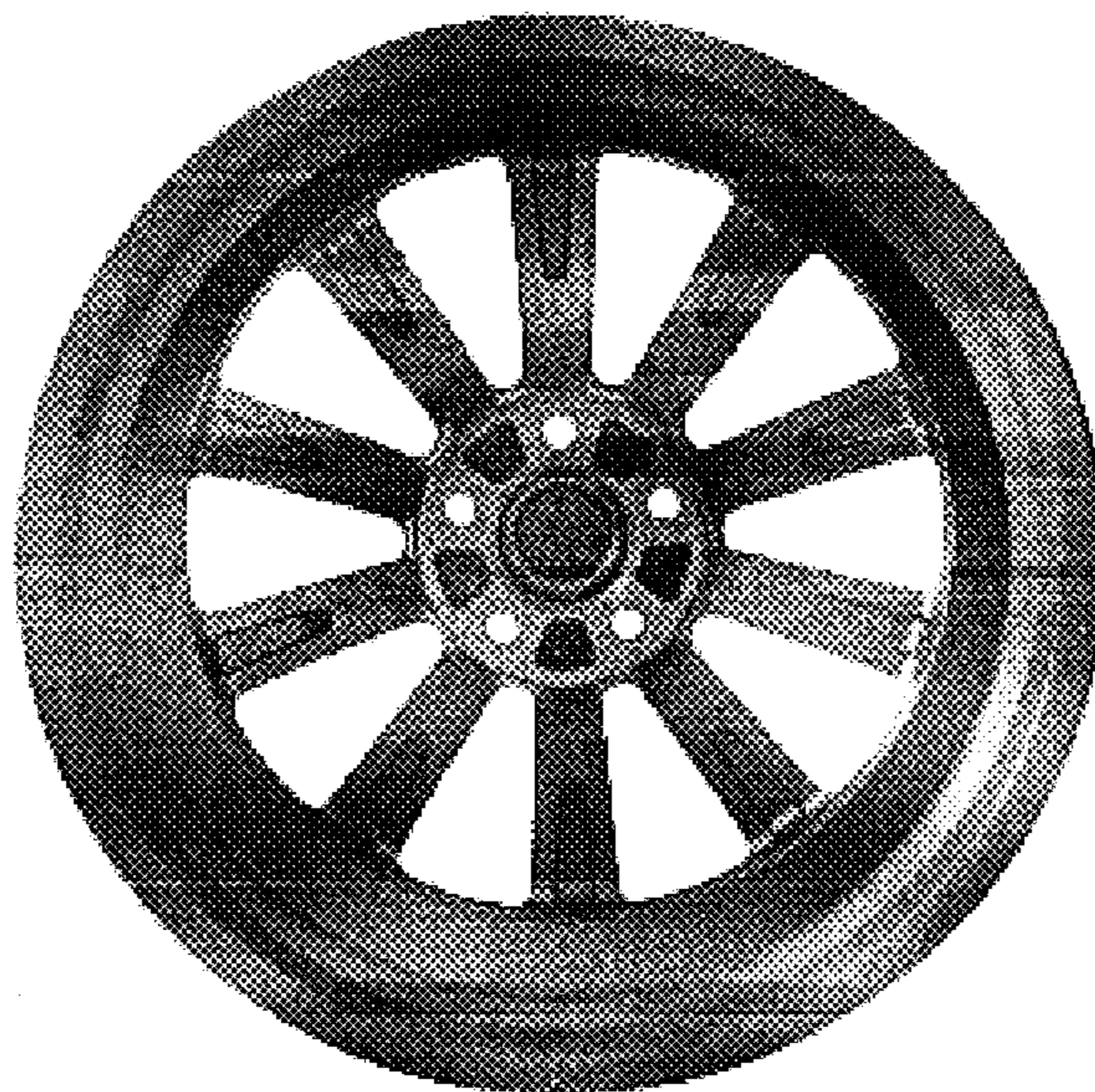




*FIG.3*

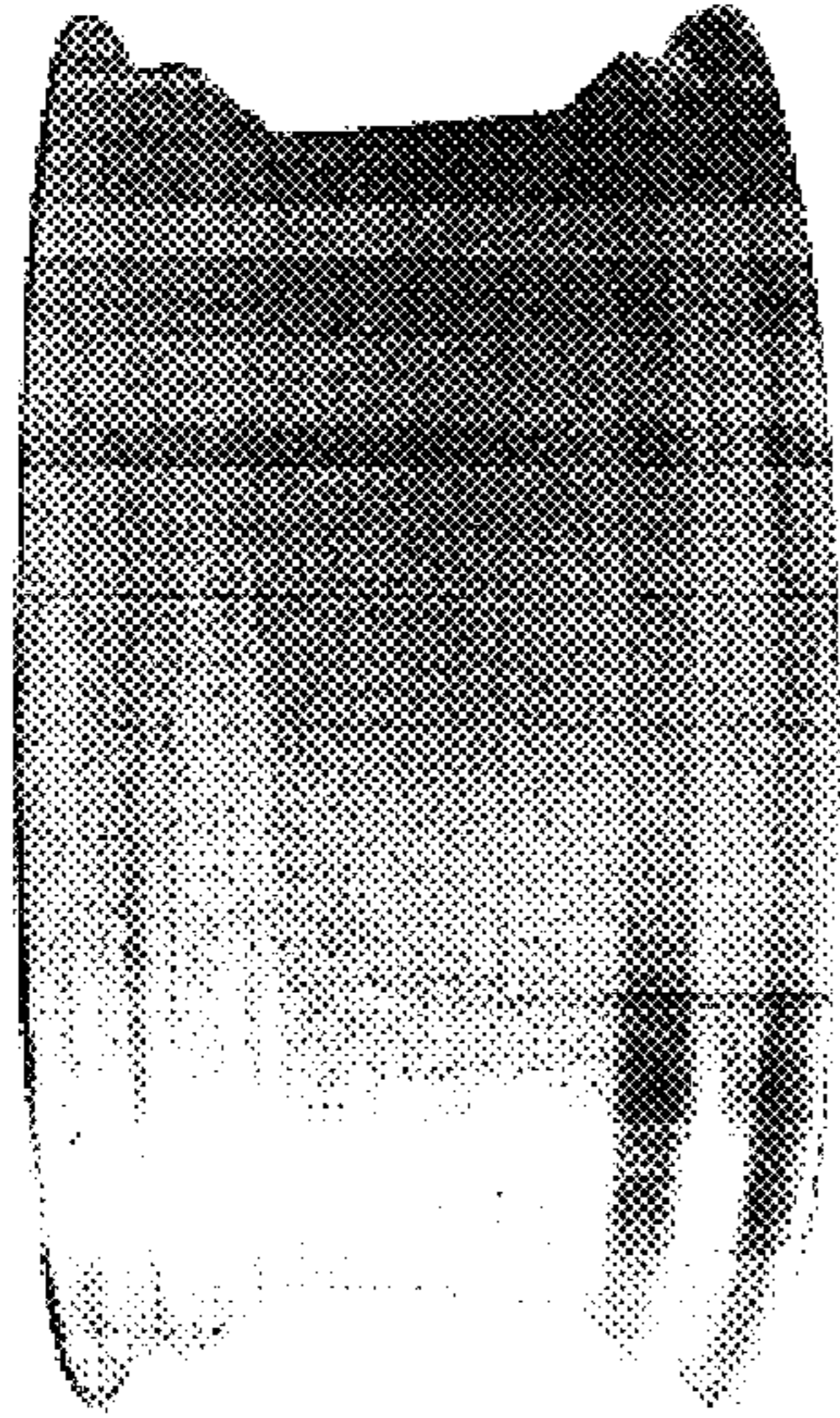


*FIG.4*

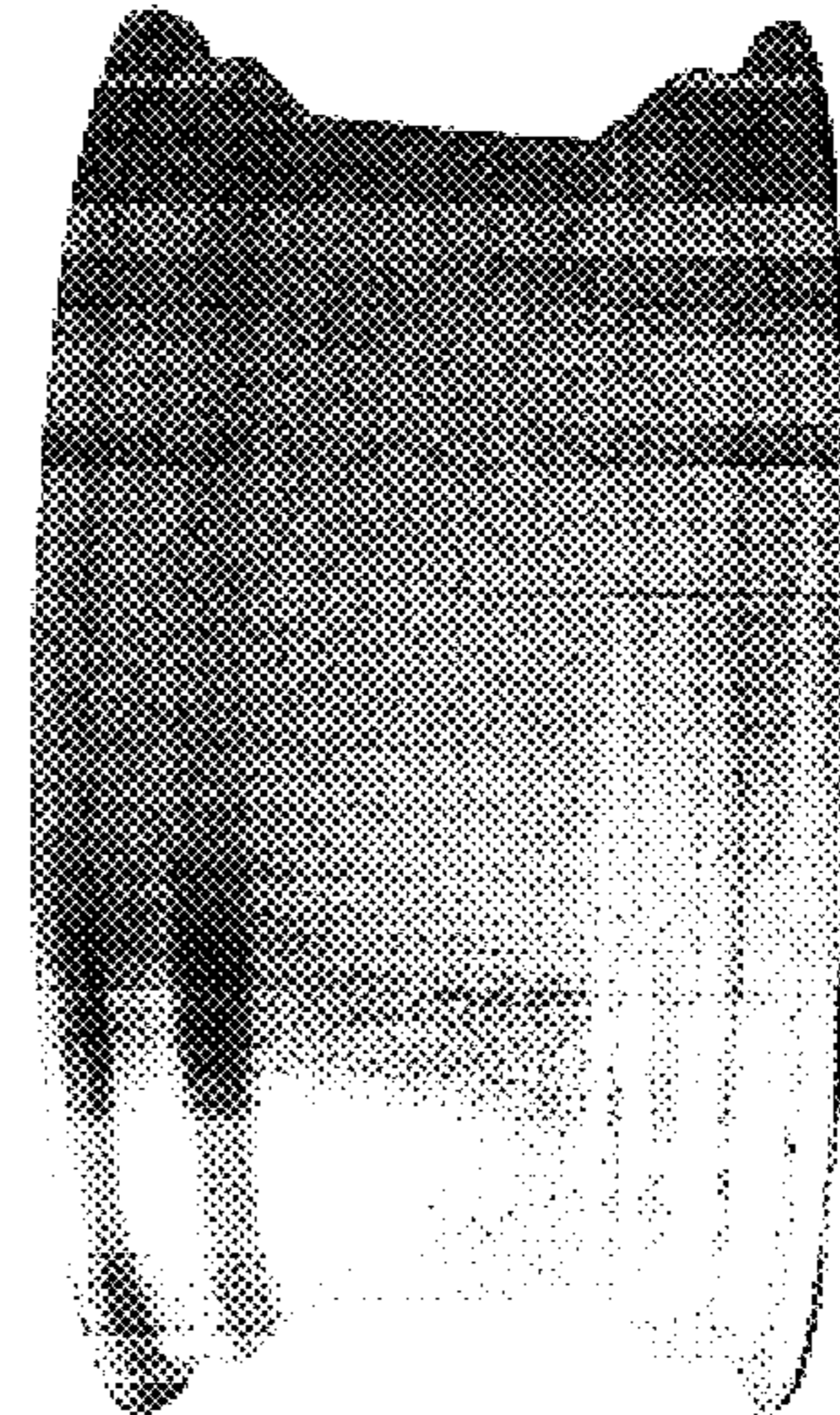




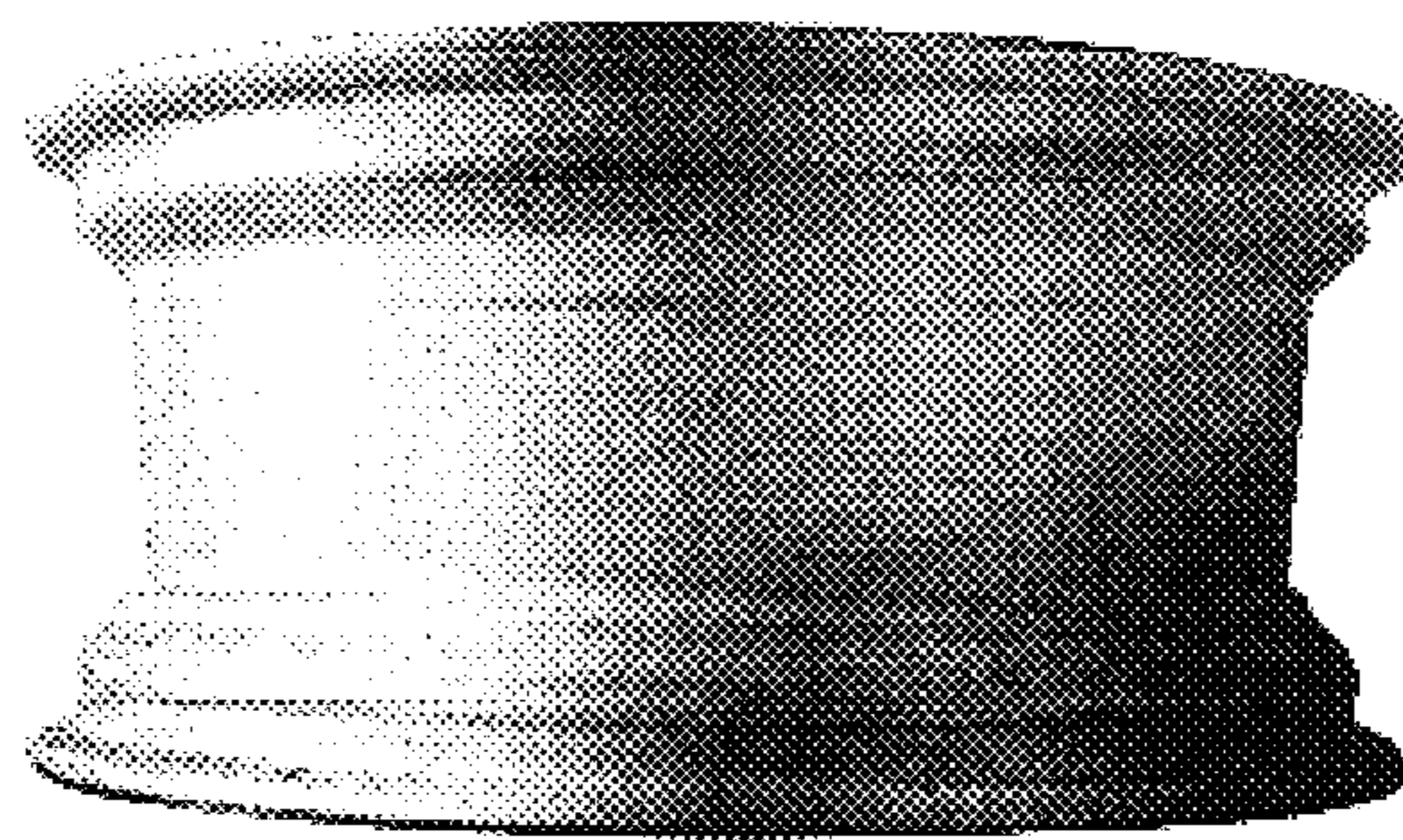
*FIG.5*



*FIG.6*



*FIG.7*



*FIG.8*

