

US00D532355S

(12) **United States Design Patent**  
**Baumgartner**

(10) **Patent No.:** **US D532,355 S**

(45) **Date of Patent:** **\*\* Nov. 21, 2006**

(54) **VEHICLE WHEEL**

(75) Inventor: **Heinrich Baumgartner**, Schiltach (DE)

(73) Assignee: **BBS Kraftfahrzeugtechnik AG**,  
Schiltach (DE)

(\*\*) Term: **14 Years**

(21) Appl. No.: **29/179,241**

(22) Filed: **Apr. 7, 2003**

D395,270 S	*	6/1998	Baumgartner et al. ....	D12/211
D398,898 S	*	9/1998	Baumgartner et al. ....	D12/211
D399,474 S	*	10/1998	Stacy .....	D12/211
D405,409 S	*	2/1999	Baumgartner .....	D12/211
D406,092 S	*	2/1999	Baumgartner .....	D12/211
D410,426 S	*	6/1999	Frizzi .....	D12/211
D417,646 S	*	12/1999	Baumgartner .....	D12/211
D419,948 S	*	2/2000	Cahyono .....	D12/211
D420,320 S	*	2/2000	Khoury .....	D12/209
D430,526 S	*	9/2000	Fitzgerald .....	D12/211
D457,478 S	*	5/2002	Minamisawa .....	D12/211
D461,441 S	*	8/2002	Hartanto .....	D12/211

\* cited by examiner

**Related U.S. Application Data**

(63) Continuation of application No. 29/116,012, filed on Dec. 22, 1999, now abandoned.

(30) **Foreign Application Priority Data**

Jun. 23, 1999 (WO) ..... DM/048 267

(51) **LOC (8) Cl.** ..... **12-16**

(52) **U.S. Cl.** ..... **D12/211**

(58) **Field of Classification Search** ..... D12/204-213;  
301/37.101, 64.101, 65  
See application file for complete search history.

(56) **References Cited**

**U.S. PATENT DOCUMENTS**

D376,125 S	*	12/1996	Fikse .....	D12/211
D394,838 S	*	6/1998	Suprihanto .....	D12/211

*Primary Examiner*—Stacia Cadmus

(74) *Attorney, Agent, or Firm*—Greenberg Traurig, LLP

(57) **CLAIM**

The ornamental design for a vehicle wheel, as shown and described.

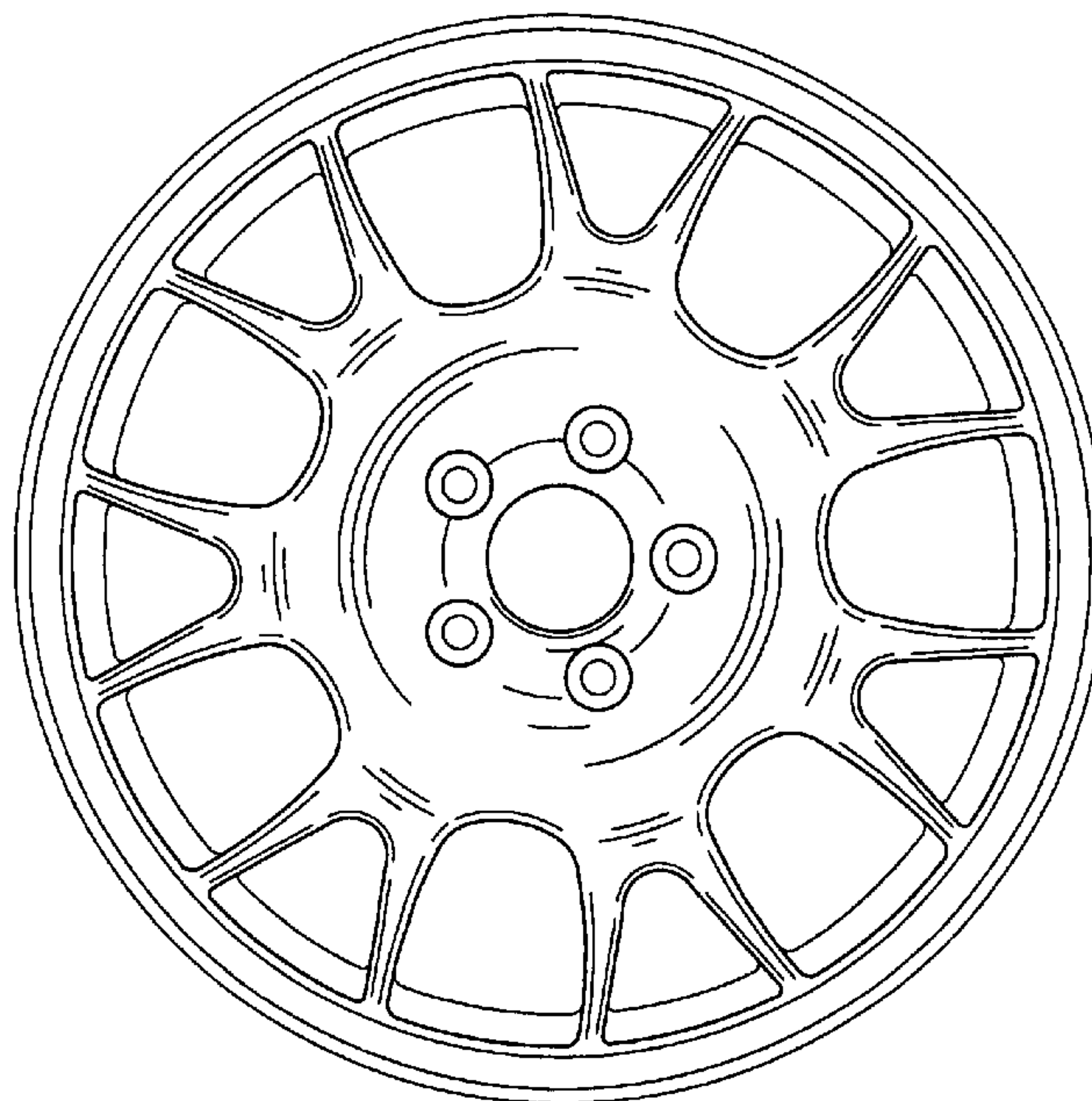
**DESCRIPTION**

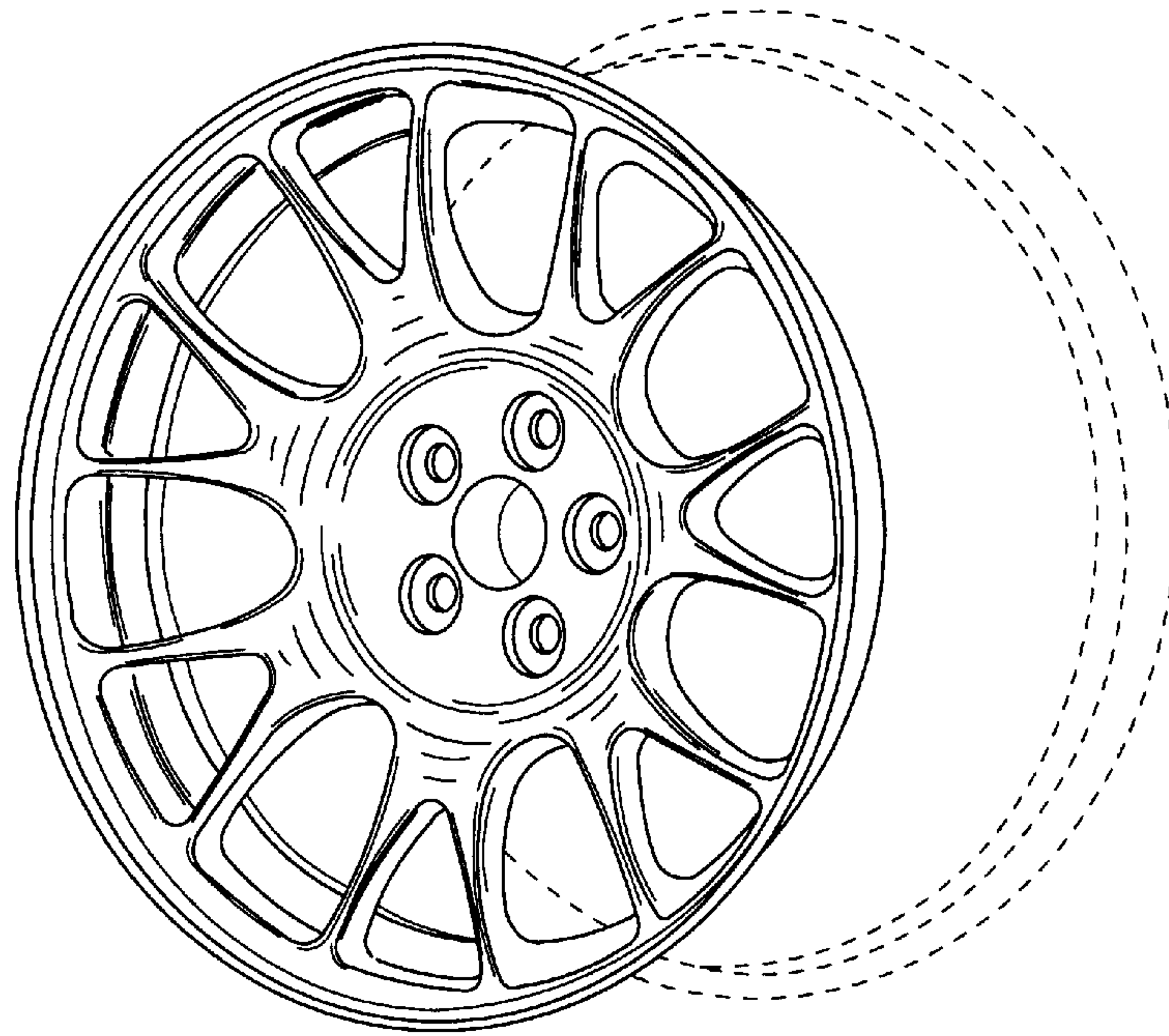
FIG. 1 is a front right perspective view of the vehicle wheel according to the invention, showing my new ornamental design; and,

FIG. 2 is a front elevation thereof.

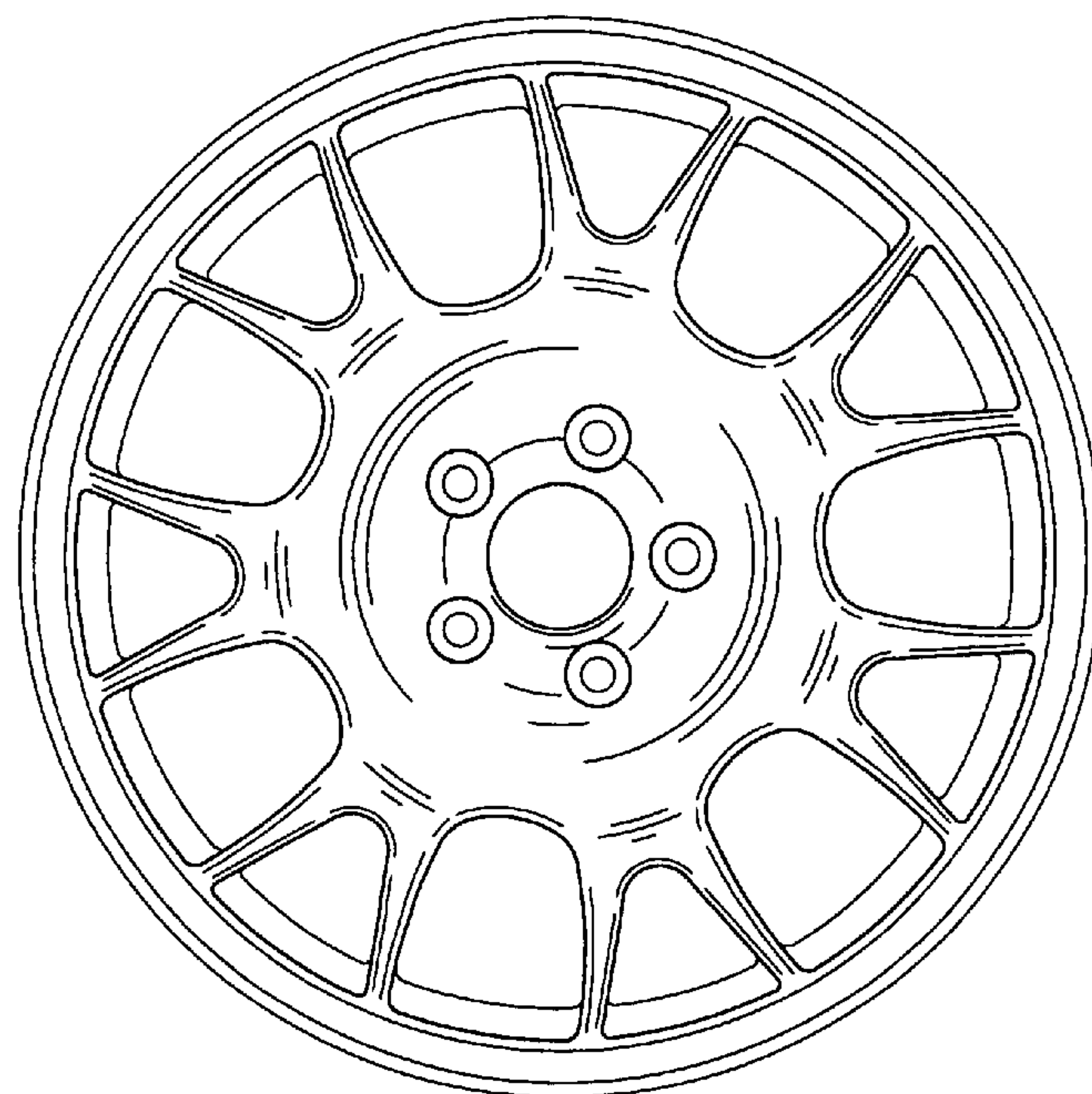
The broken line showing of environment is for illustrative purposes only and forms no part of the claimed design.

**1 Claim, 1 Drawing Sheet**





**FIG. 1**



**FIG. 2**