



US00D532353S

(12) **United States Design Patent**  
**Honda et al.**

(10) **Patent No.:** **US D532,353 S**

(45) **Date of Patent:** **\*\* Nov. 21, 2006**

(54) **DASHBOARD FOR A MOTOR VEHICLE**

D519,893 S \* 5/2006 Kabayama et al. .... D12/192  
D519,894 S \* 5/2006 Asahi et al. .... D12/192

(75) Inventors: **Yasukazu Honda**, Aichi-ken (JP);  
**Takayasu Furukawa**, Aichi-ken (JP);  
**Alan Schneider**, Newport Beach, CA  
(US)

\* cited by examiner

*Primary Examiner*—Stacia Cadmus  
(74) *Attorney, Agent, or Firm*—Finnegan, Henderson,  
Farabow, Garrett & Dunner, LLP

(73) Assignee: **Toyota Jidosha Kabushiki Kaisha**,  
Aichi-ken (JP)

(57) **CLAIM**

(\*\*) Term: **14 Years**

The ornamental design for a dashboard for a motor vehicle,  
as shown and described.

(21) Appl. No.: **29/253,238**

**DESCRIPTION**

(22) Filed: **Feb. 3, 2006**

(51) **LOC (8) Cl.** ..... **12-16**

(52) **U.S. Cl.** ..... **D12/192**

(58) **Field of Classification Search** ..... D12/192;  
180/90; 280/750–752; 296/190–191, 70;  
D10/46, 102, 98, 122–127; D15/17, 28  
See application file for complete search history.

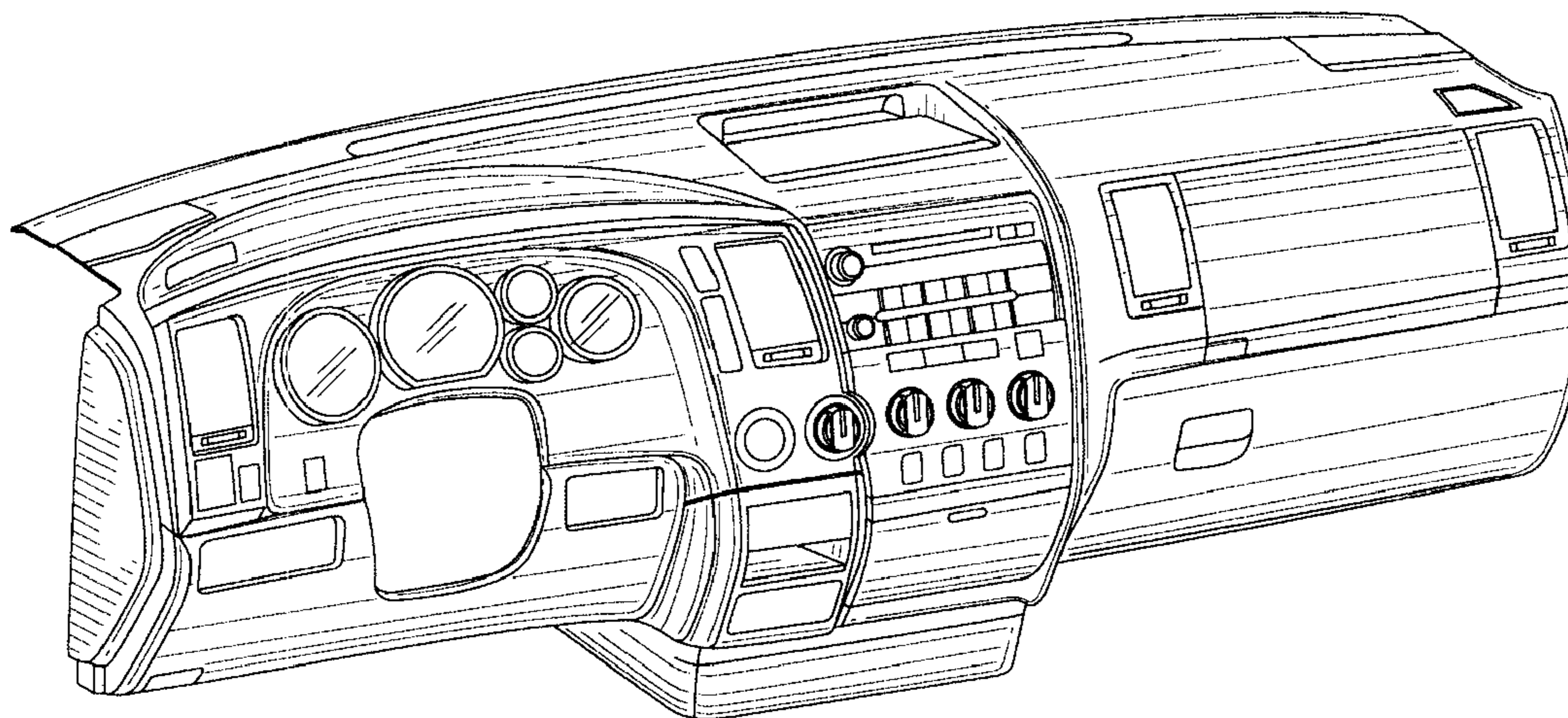
FIG. 1 is a perspective view of a dashboard for a motor vehicle of our new design;  
FIG. 2 is a front view of our new design;  
FIG. 3 is a top view of our new design;  
FIG. 4 is a bottom view of our new design;  
FIG. 5 is a right-side view our new design;  
FIG. 6 is a left-side view our new design;  
FIG. 7 is a cross-sectional view of our new design taken along the line 7—7 in FIG. 2, showing the profile of that portion of the design;  
FIG. 8 is a cross-sectional view of our new design taken along the line 8—8 in FIG. 2, showing the profile of that portion of the design; and,  
FIG. 9 is a cross-sectional view of our new design taken along the line 9—9 in FIG. 2, showing the profile of that portion of the design.  
As used herein, right and left refer to the orientation of the design depicted in the figures above, not the right and left sides of the design when mounted in a motor vehicle.

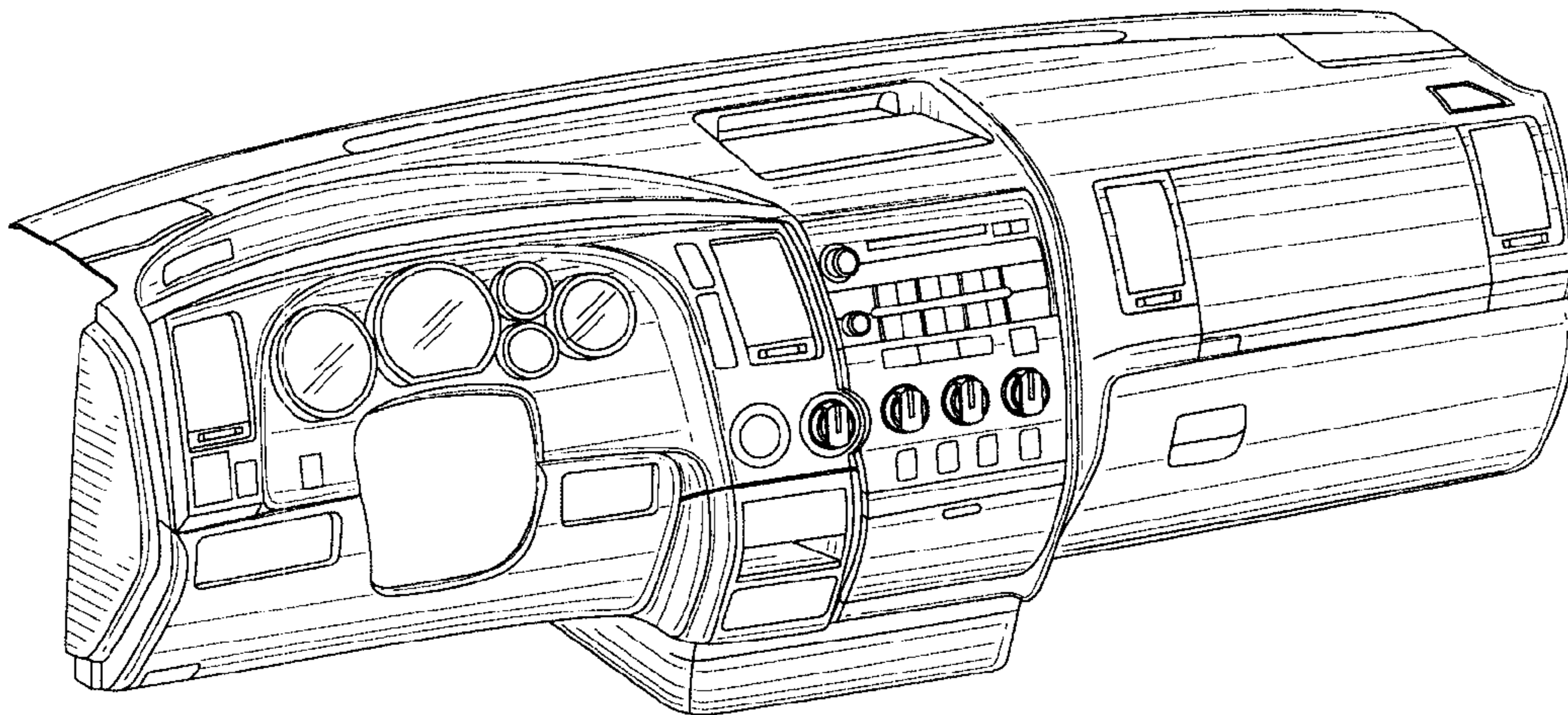
(56) **References Cited**

**U.S. PATENT DOCUMENTS**

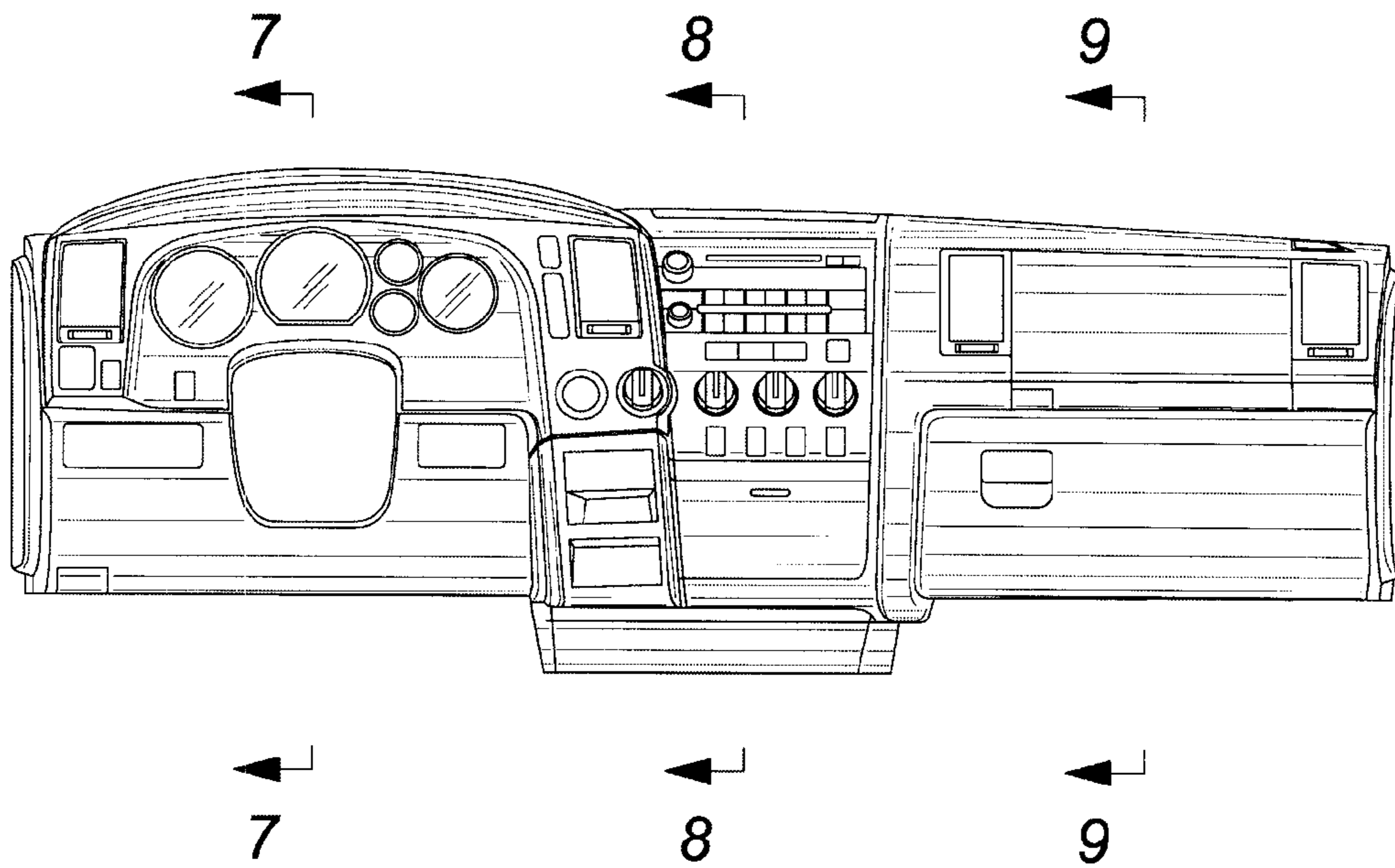
D423,434 S	*	4/2000	Yano et al. ....	D12/192
D432,474 S	*	10/2000	Sacco et al. ....	D12/192
D449,263 S	*	10/2001	Yamazaki et al. ....	D12/192
D470,809 S	*	2/2003	Asahi et al. ....	D12/192
D489,660 S	*	5/2004	Okumura et al. ....	D12/192
D494,115 S	*	8/2004	McPeck et al. ....	D12/192
D494,908 S	*	8/2004	Pfeiffer .....	D12/192
D499,998 S	*	12/2004	Tanaka et al. ....	D12/192
D512,006 S	*	11/2005	Sims .....	D12/192
D512,357 S	*	12/2005	Schuttera .....	D12/192
D515,487 S	*	2/2006	Tanaka et al. ....	D12/192

**1 Claim, 5 Drawing Sheets**

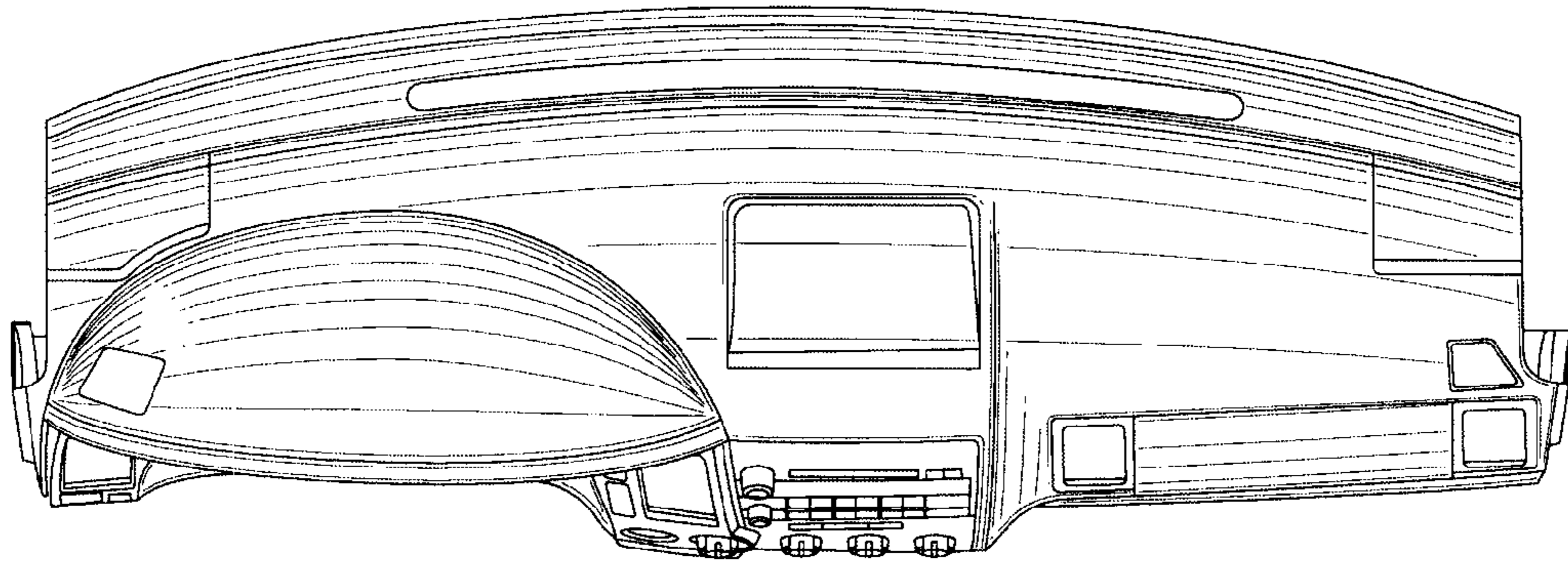




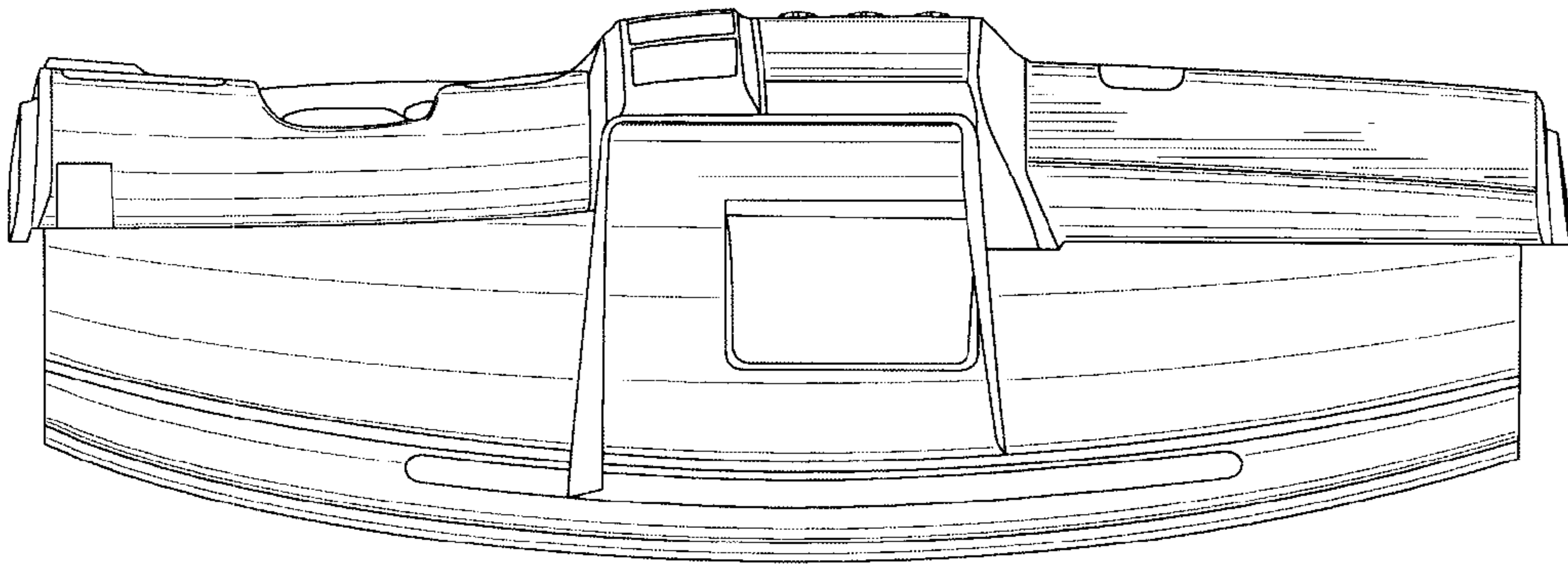
**FIG. 1**



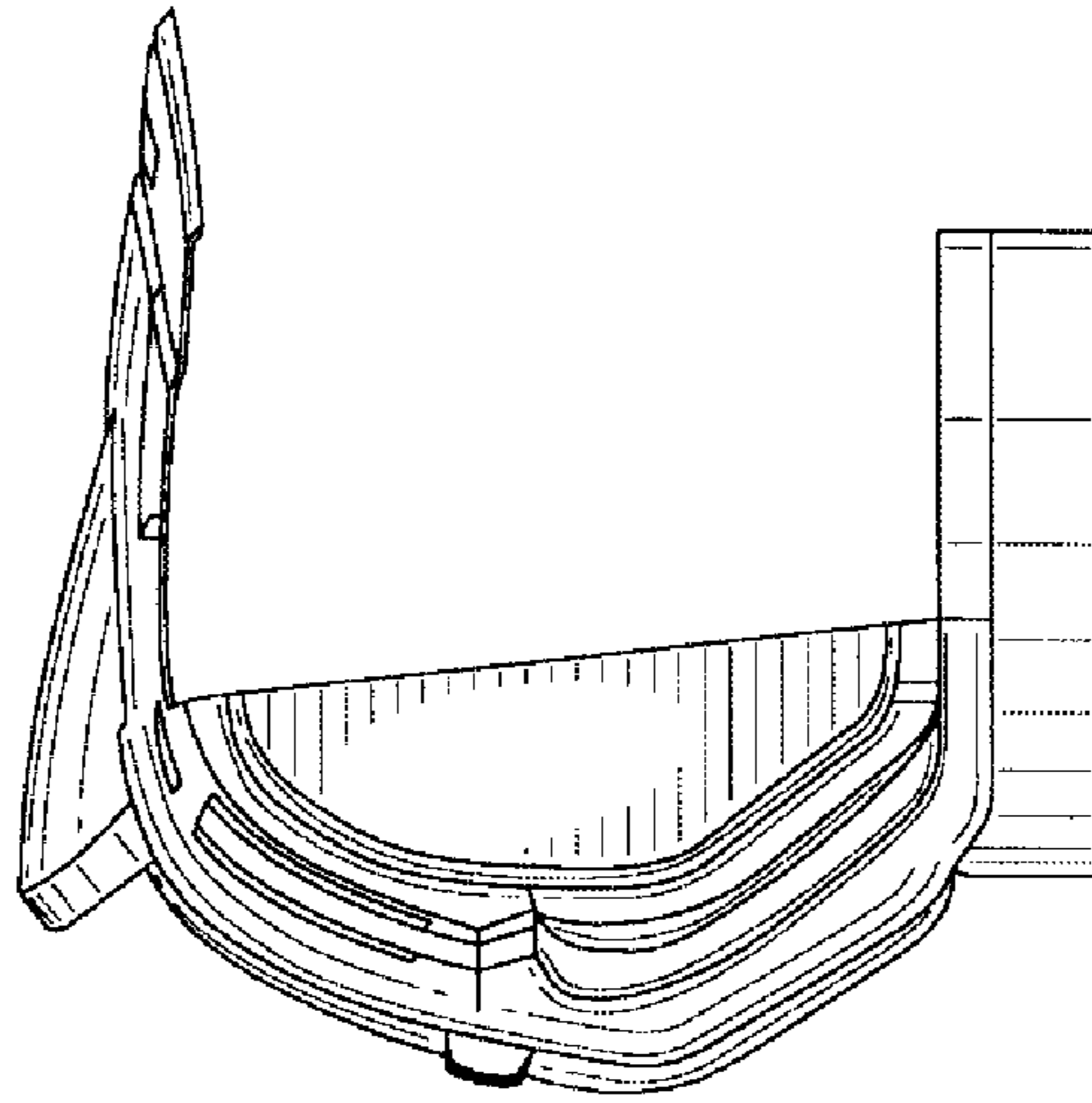
**FIG. 2**



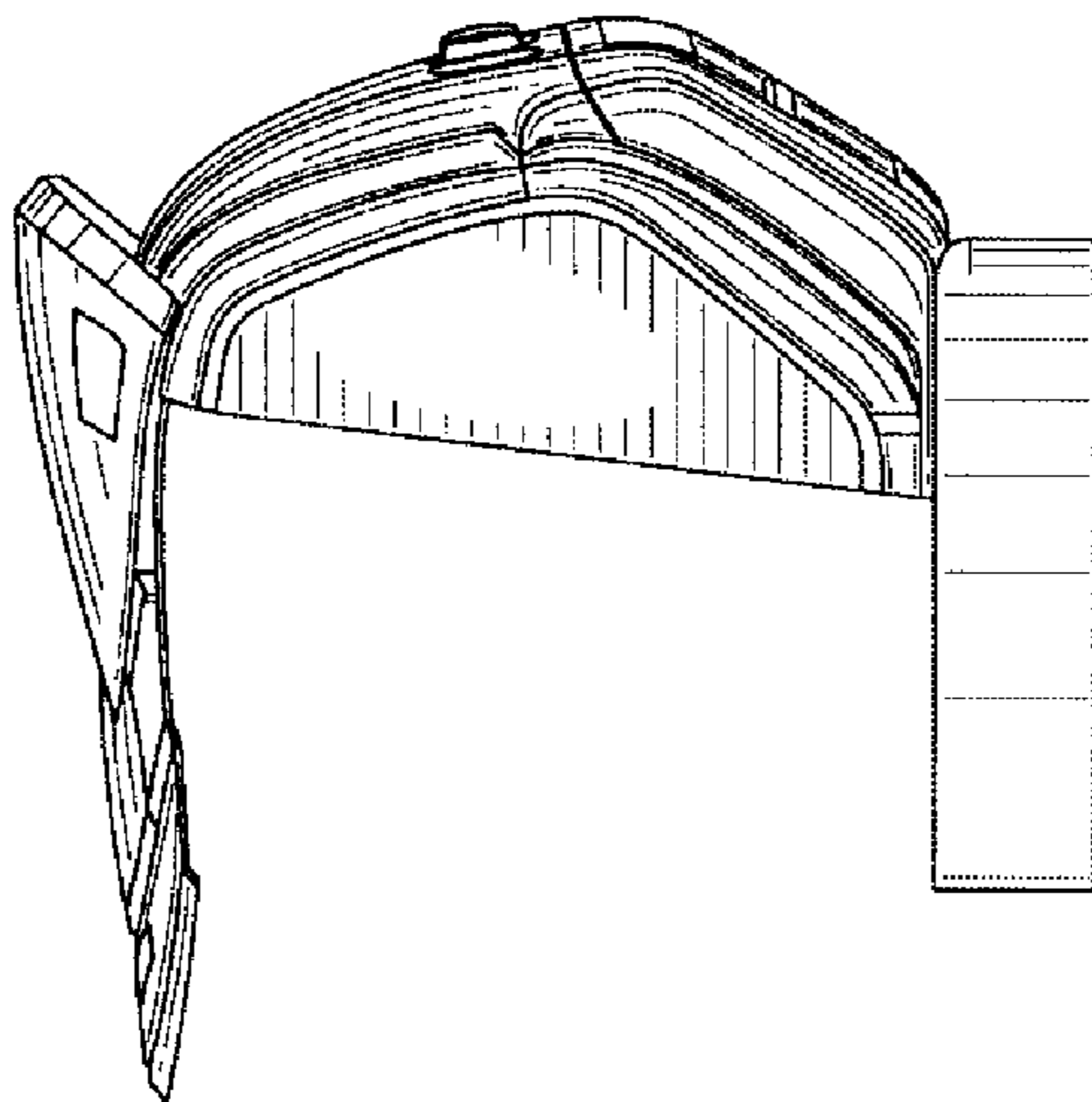
**FIG. 3**



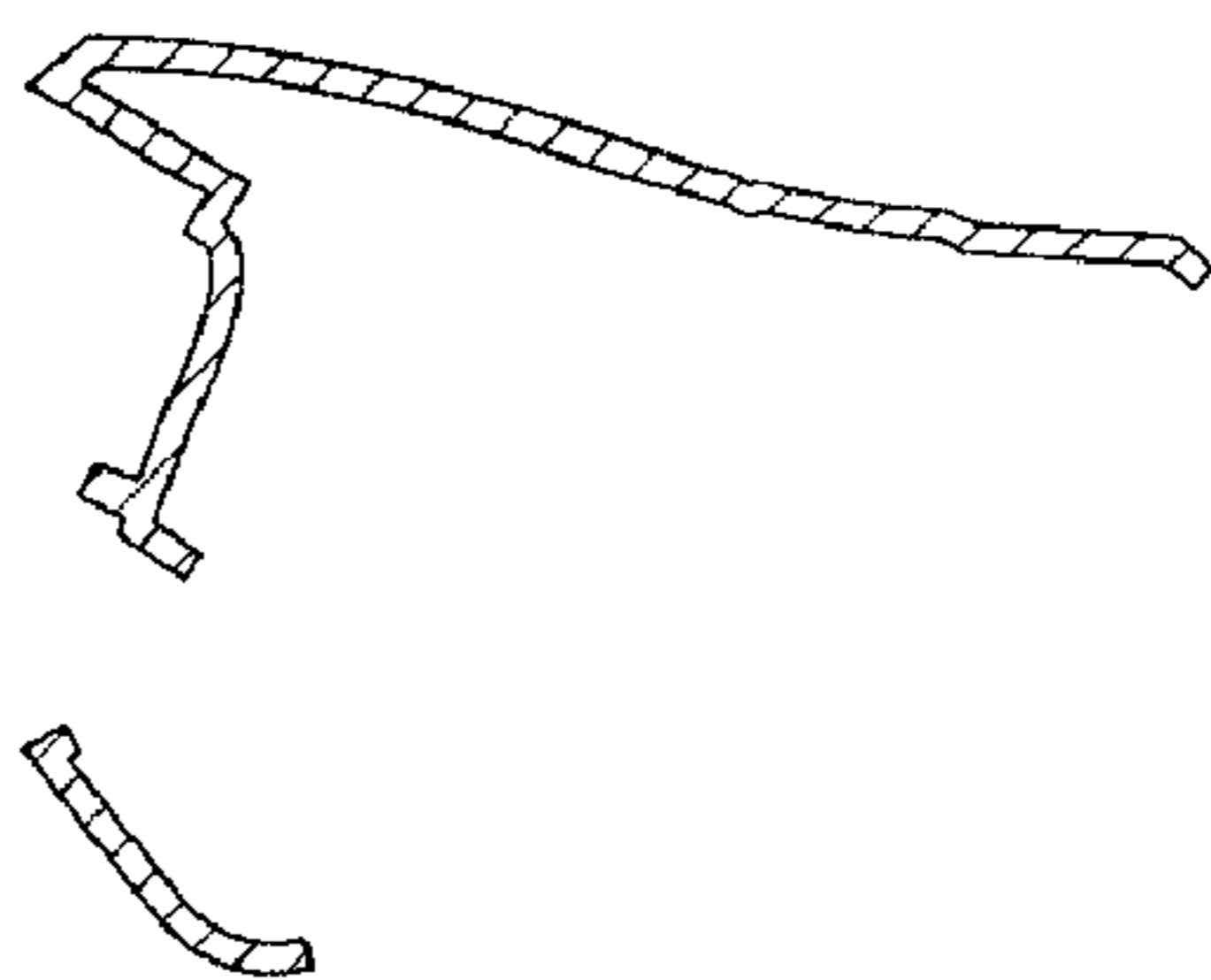
**FIG. 4**



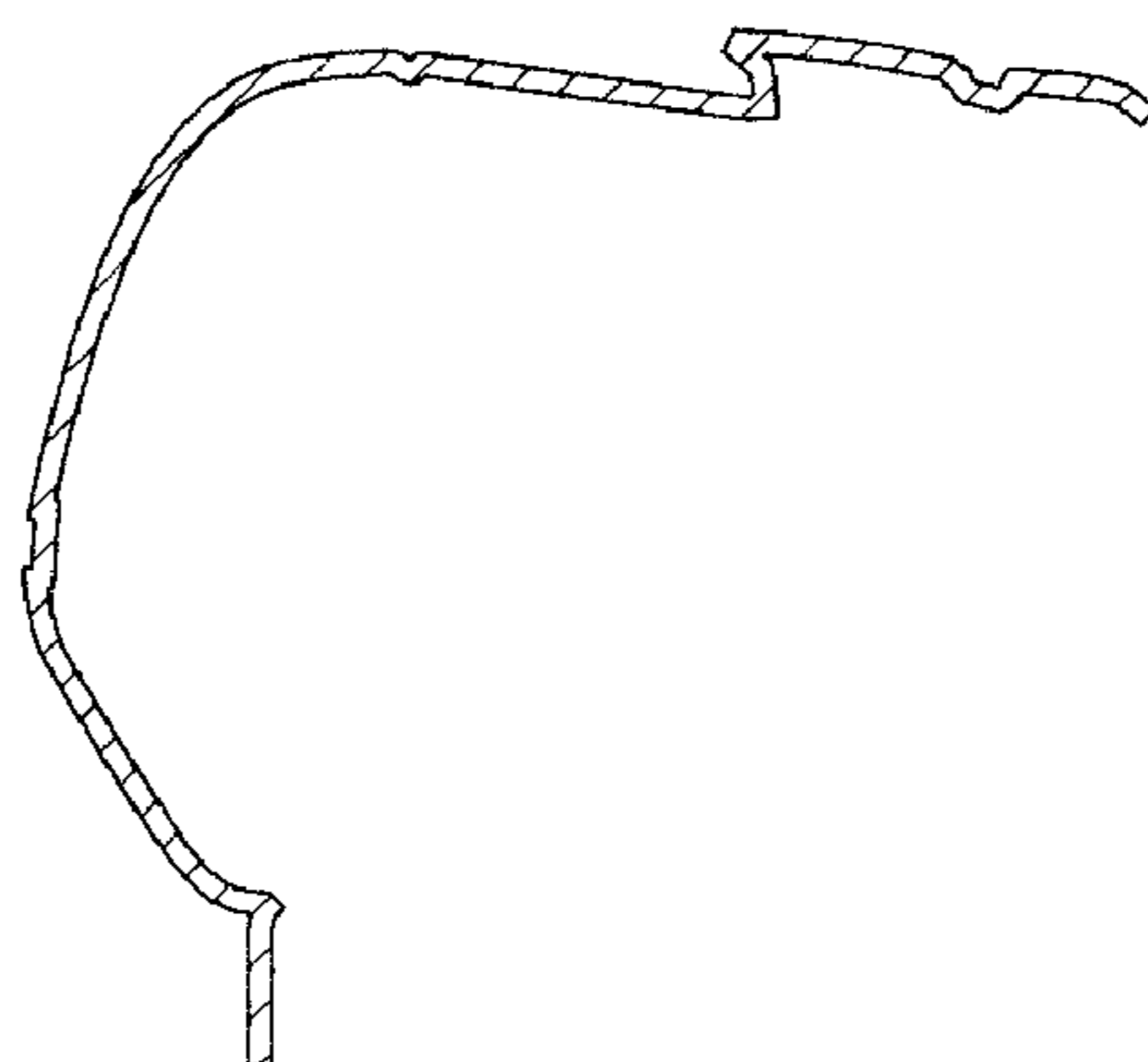
**FIG. 6**



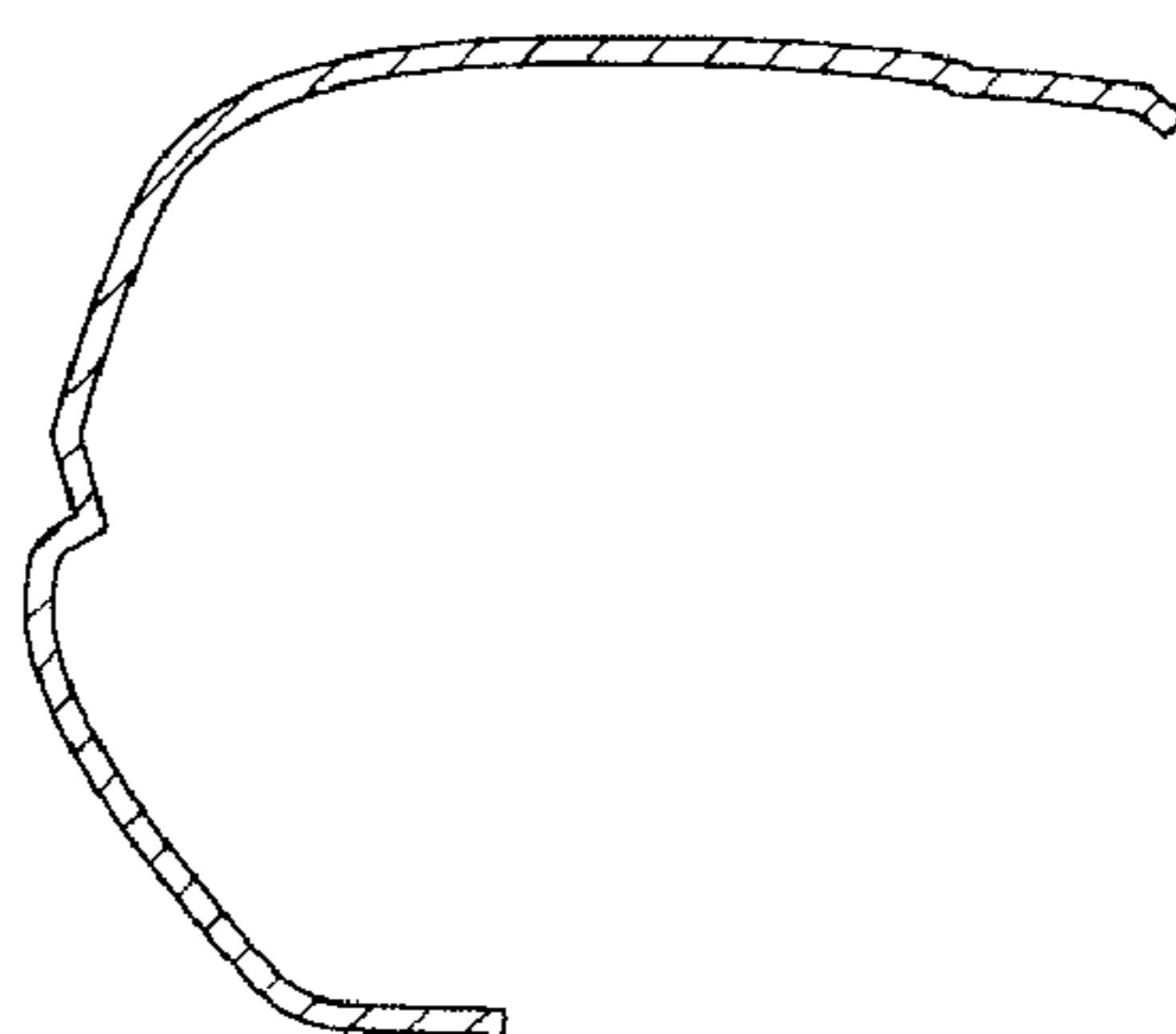
**FIG. 5**



**FIG. 7**



**FIG. 8**



**FIG. 9**