



US00D532351S

(12) **United States Design Patent**
Saito

(10) **Patent No.:** **US D532,351 S**

(45) **Date of Patent:** **** Nov. 21, 2006**

(54) **STEERING WHEEL FOR AUTOMOBILE**

D515,479 S * 2/2006 Yamazaki et al. D12/176
D516,477 S * 3/2006 Tomasson et al. D12/176

(75) Inventor: **Tsukasa Saito**, Wako (JP)

* cited by examiner

(73) Assignee: **Honda Motor Co., Ltd.**, Tokyo (JP)

Primary Examiner—Melody N. Brown

(**) Term: **14 Years**

(74) *Attorney, Agent, or Firm*—Sughrue Mion, PLLC

(21) Appl. No.: **29/236,377**

(57) **CLAIM**

(22) Filed: **Aug. 16, 2005**

The ornamental design for a steering wheel for automobile, as shown and described.

(30) **Foreign Application Priority Data**

DESCRIPTION

Feb. 18, 2005 (JP) 2005-004524

(51) **LOC (8) Cl.** **12-16**

(52) **U.S. Cl.** **D12/176**

(58) **Field of Classification Search** D12/175-177;
74/552, 558, 558.5

See application file for complete search history.

FIG. 1 is a perspective view from the front side of a steering wheel for automobile.

FIG. 2 is a front elevation view thereof.

FIG. 3 is a top plan view thereof.

FIG. 4 is a bottom plan view thereof.

FIG. 5 is a left side elevation view thereof; and,

FIG. 6 is a right side elevation view thereof.

The portion of the article shown in broken lines is for illustrative purpose only and forms no part of the claimed design.

The rear of the design is omitted and not being claimed as part of the claimed design.

(56) **References Cited**

U.S. PATENT DOCUMENTS

D464,298 S * 10/2002 Bartholomai et al. D12/176
D472,858 S * 4/2003 Pfeiffer et al. D12/176
D513,721 S * 1/2006 Pfeiffer D12/176
D514,485 S * 2/2006 Juraschek et al. D12/176

1 Claim, 6 Drawing Sheets

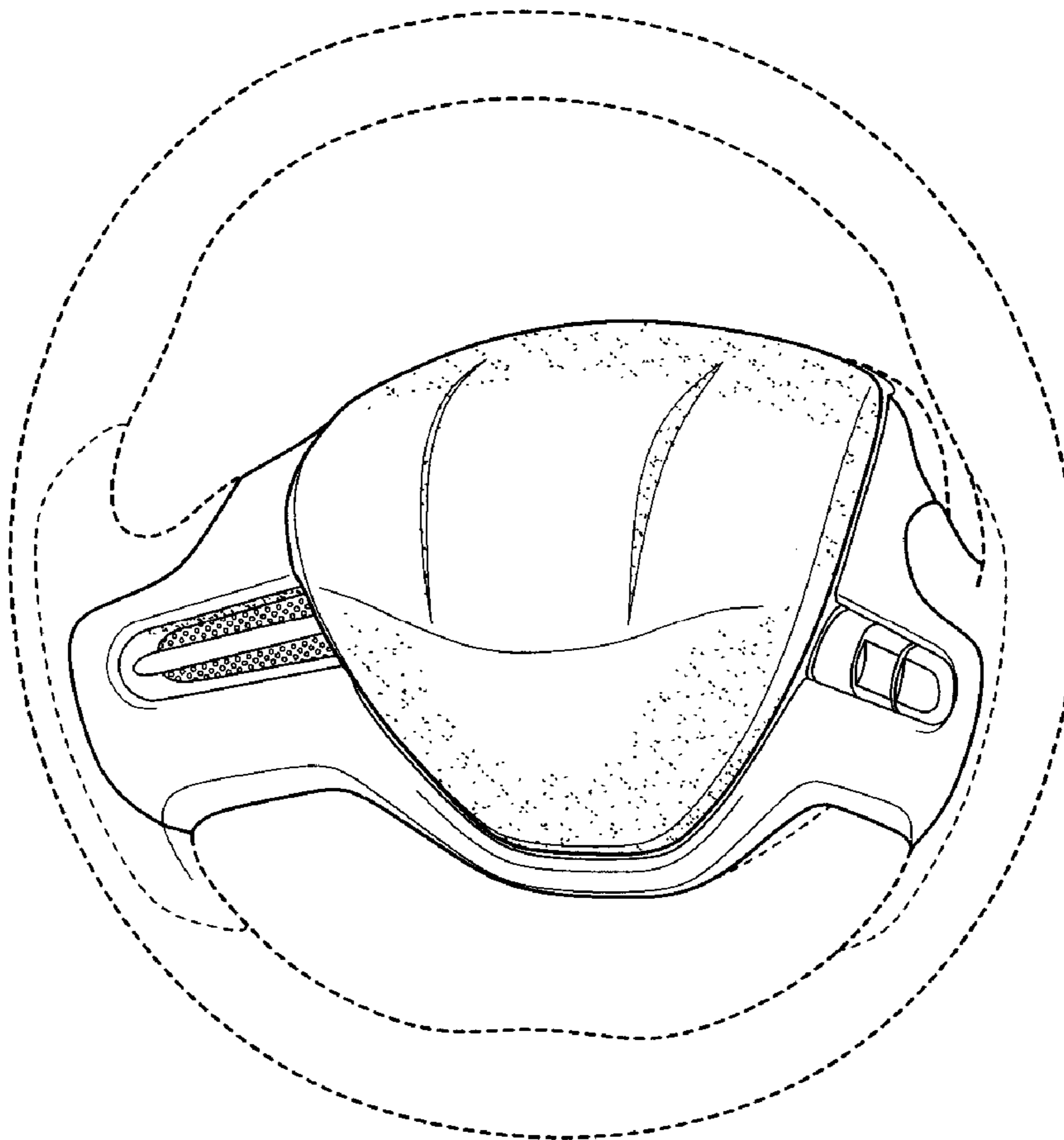


FIG. 1

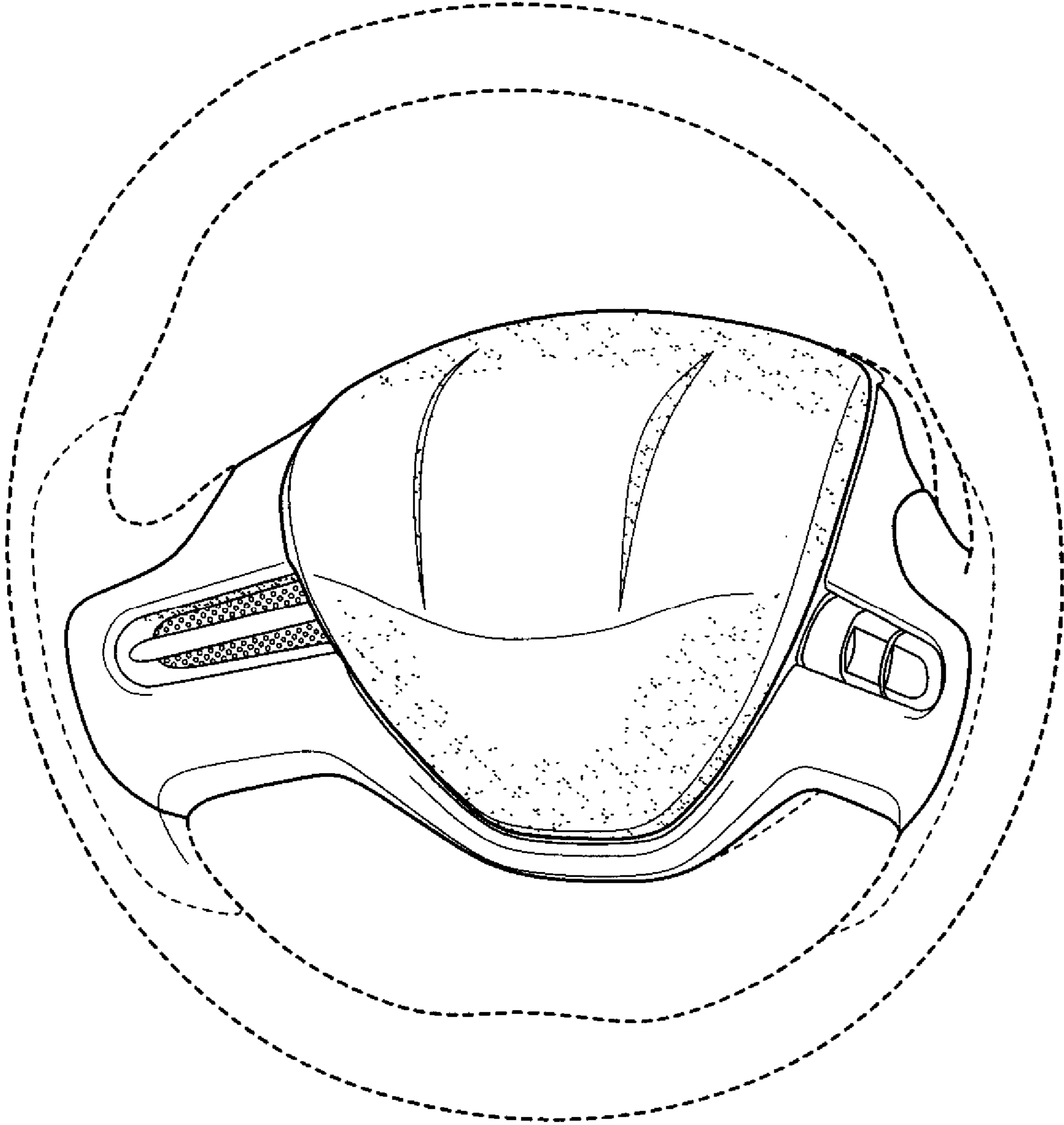


FIG. 2

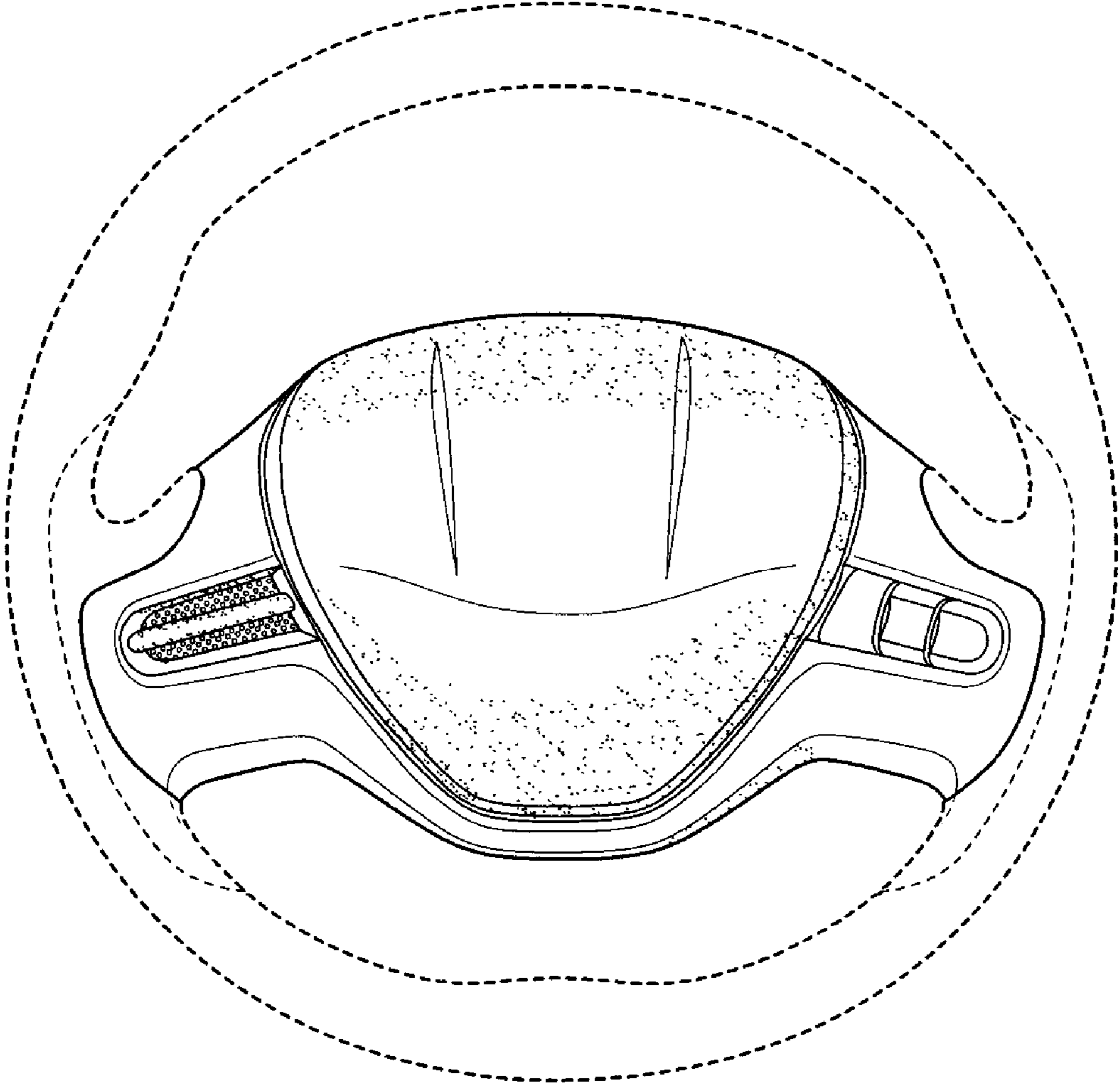


FIG. 3

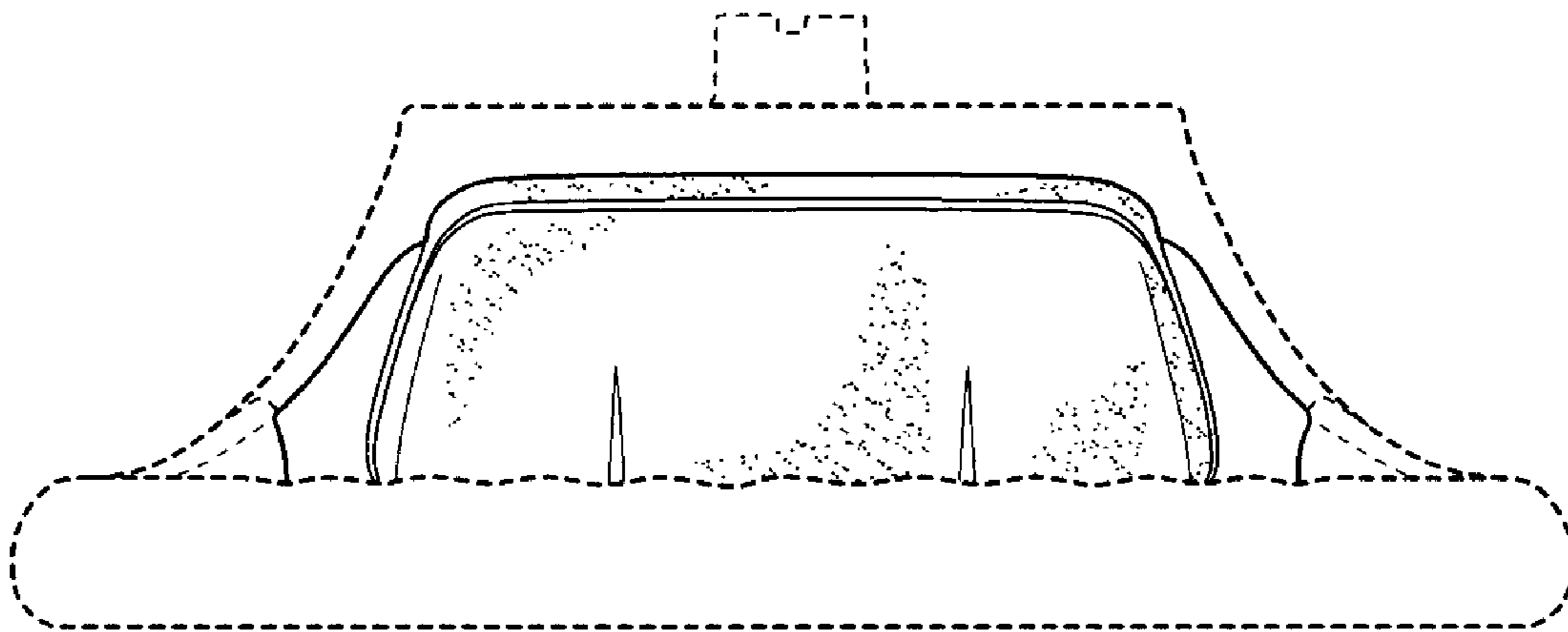


FIG. 4

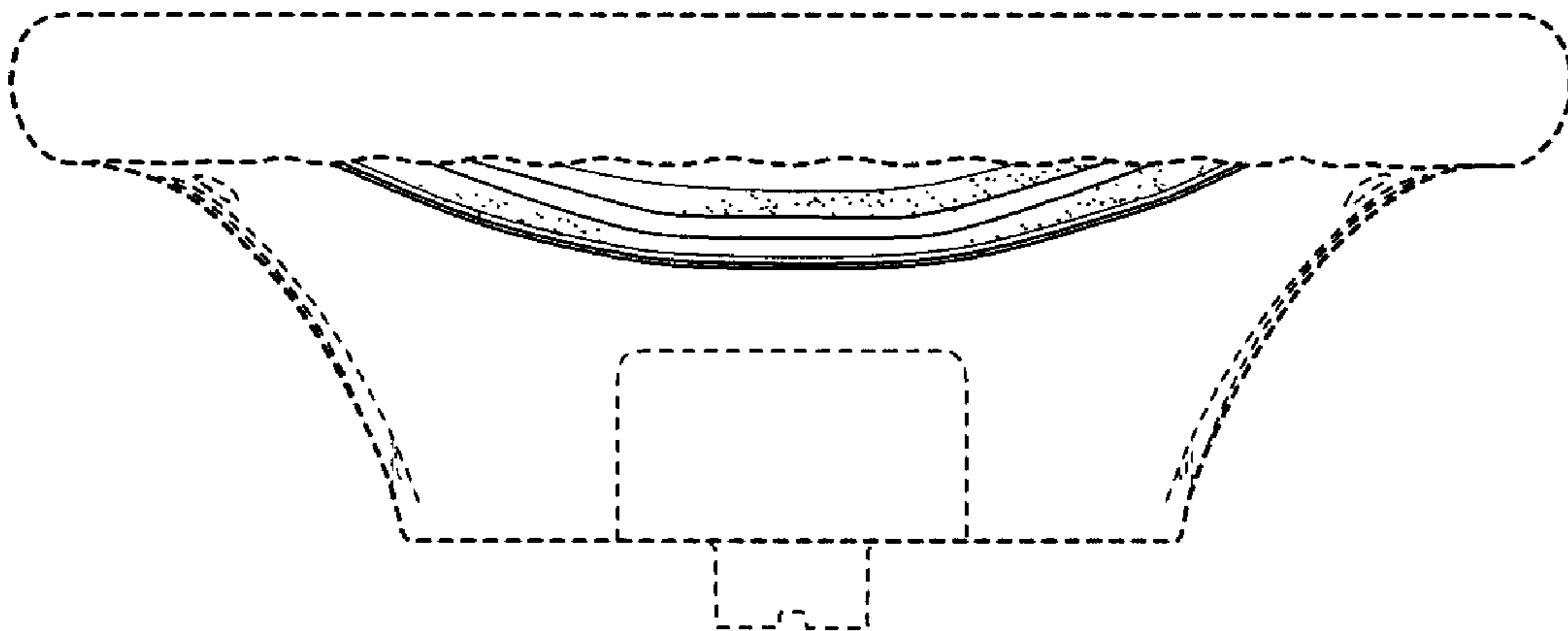


FIG. 5

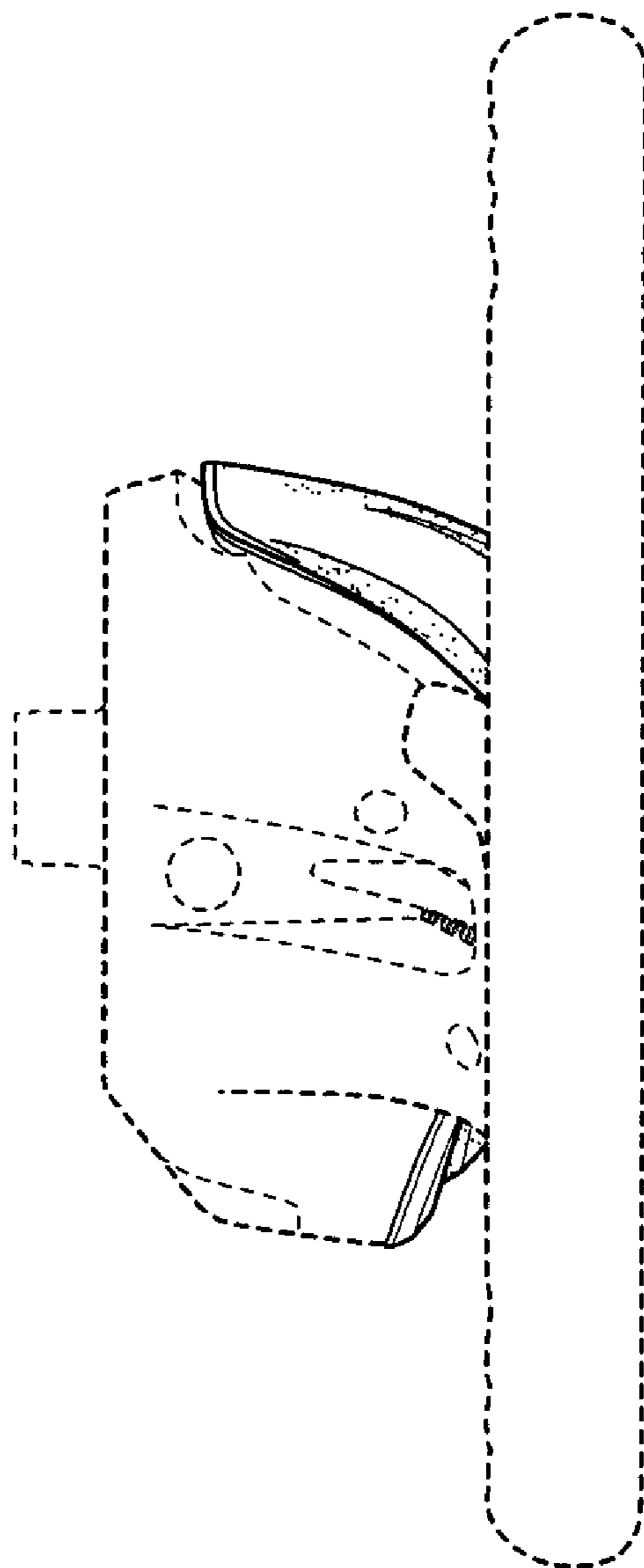


FIG. 6

