

US00D532348S

(12) **United States Design Patent** (10) **Patent No.:** **US D532,348 S**  
**Kudo et al.** (45) **Date of Patent:** **\*\* Nov. 21, 2006**

(54) **FRONT GRILL GUARD**

(75) Inventors: **Kazuhiro Kudo**, Wako (JP); **Koji Komiya**, Wako (JP)

(73) Assignee: **Honda Motor Co., Ltd.**, Tokyo (JP)

(\*\*) Term: **14 Years**

(21) Appl. No.: **29/236,895**

(22) Filed: **Aug. 24, 2005**

(30) **Foreign Application Priority Data**

Feb. 25, 2005 (JP) ..... 2005-005481

(51) **LOC (8) Cl.** ..... **12-16**

(52) **U.S. Cl.** ..... **D12/171**

(58) **Field of Classification Search** ..... D12/3,  
D12/86, 87, 107, 110, 169-171; 293/115,  
293/146, 142-144, 149, 102, 113; 180/225,  
180/229, 233, 311, 68.6

See application file for complete search history.

(56) **References Cited**

**U.S. PATENT DOCUMENTS**

D412,464 S 8/1999 Ichihara et al.  
D452,835 S 1/2002 Aoki et al.

**FOREIGN PATENT DOCUMENTS**

JP 1040218 S 6/1999  
JP 1139369 S 4/2002

*Primary Examiner*—Alan P. Douglas

*Assistant Examiner*—Linda Brooks

(74) *Attorney, Agent, or Firm*—Arent Fox PLLC

(57) **CLAIM**

The ornamental design for a front grill guard, as shown and described.

**DESCRIPTION**

FIG. 1 is a front view of a front grill guard showing my new design.

FIG. 2 is a rear view thereof.

FIG. 3 is a plan view thereof.

FIG. 4 is a bottom view thereof.

FIG. 5 is a right side view thereof.

FIG. 6 is a left side view thereof.

FIG. 7 is a perspective view thereof as seen from the right front side.

FIG. 8 is a perspective view thereof as seen from the left front side.

FIG. 9 is a perspective view thereof as seen from the right rear side.

FIG. 10 is a perspective view thereof as seen from the left rear side; and,

FIG. 11 is a reference view of the front grill guard showing its state of use on a vehicle, which is shown in broken lines for illustrative purposes only and forms no part of the claimed design.

**1 Claim, 6 Drawing Sheets**

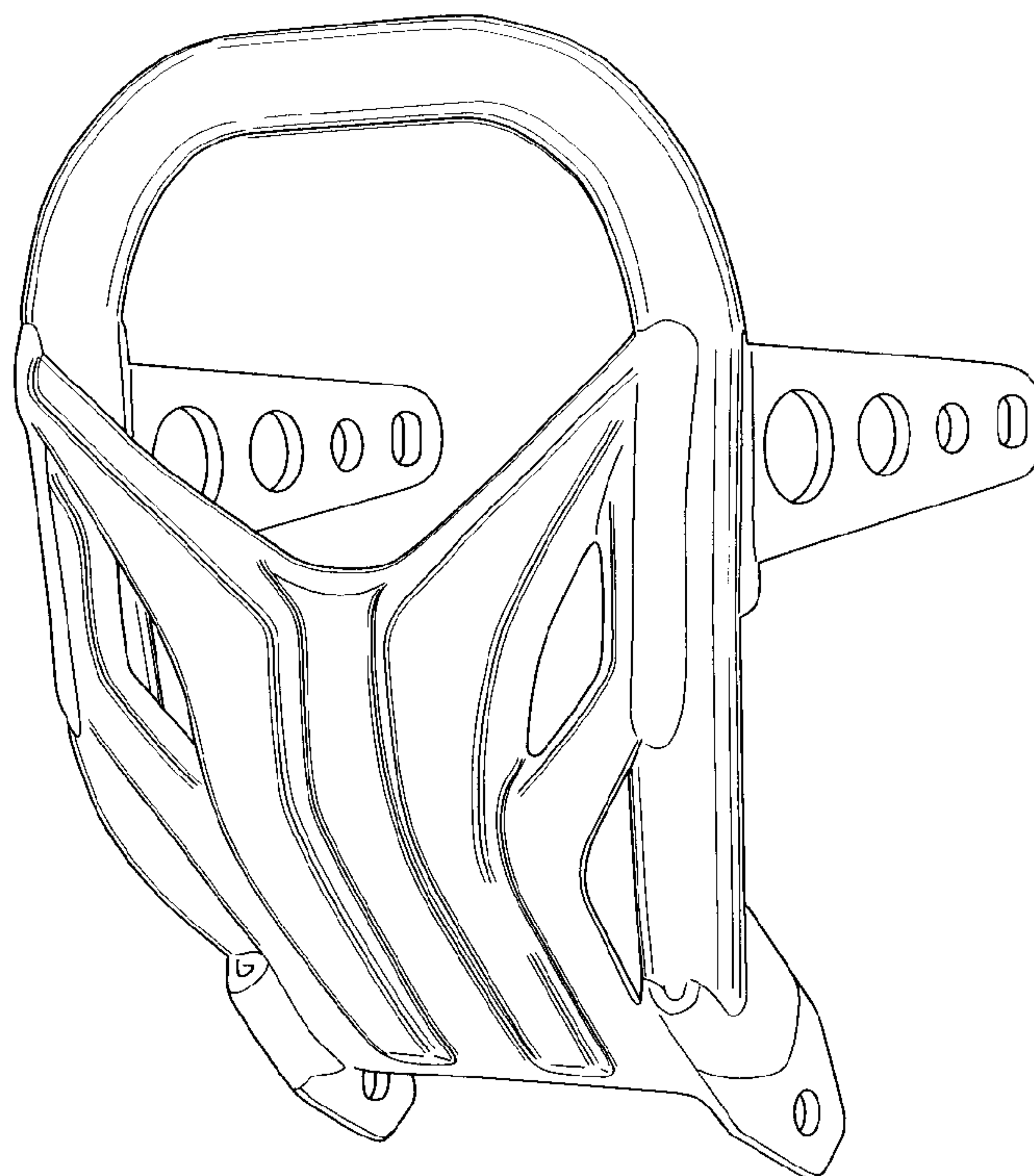


FIG.1

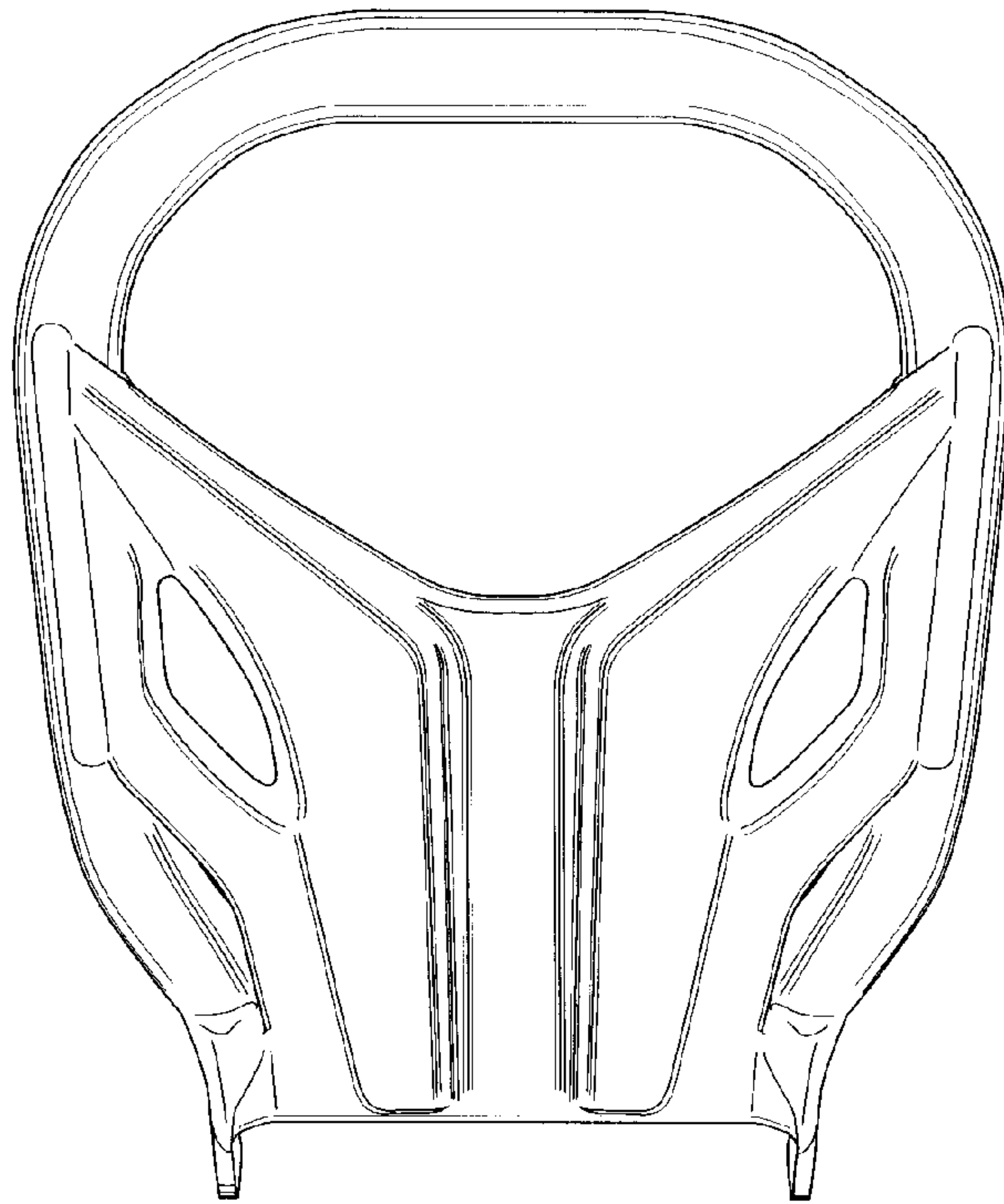


FIG.2

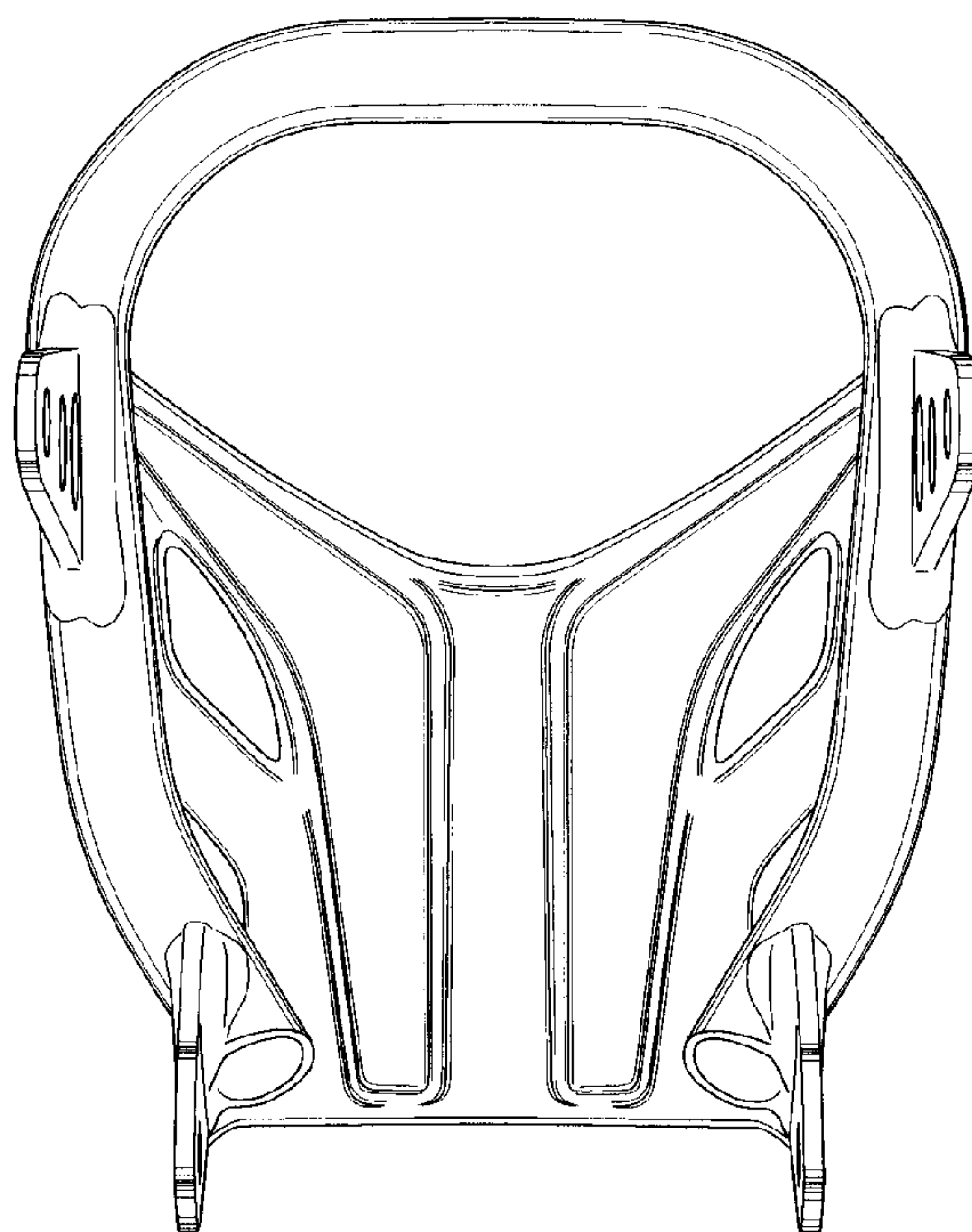


FIG.3

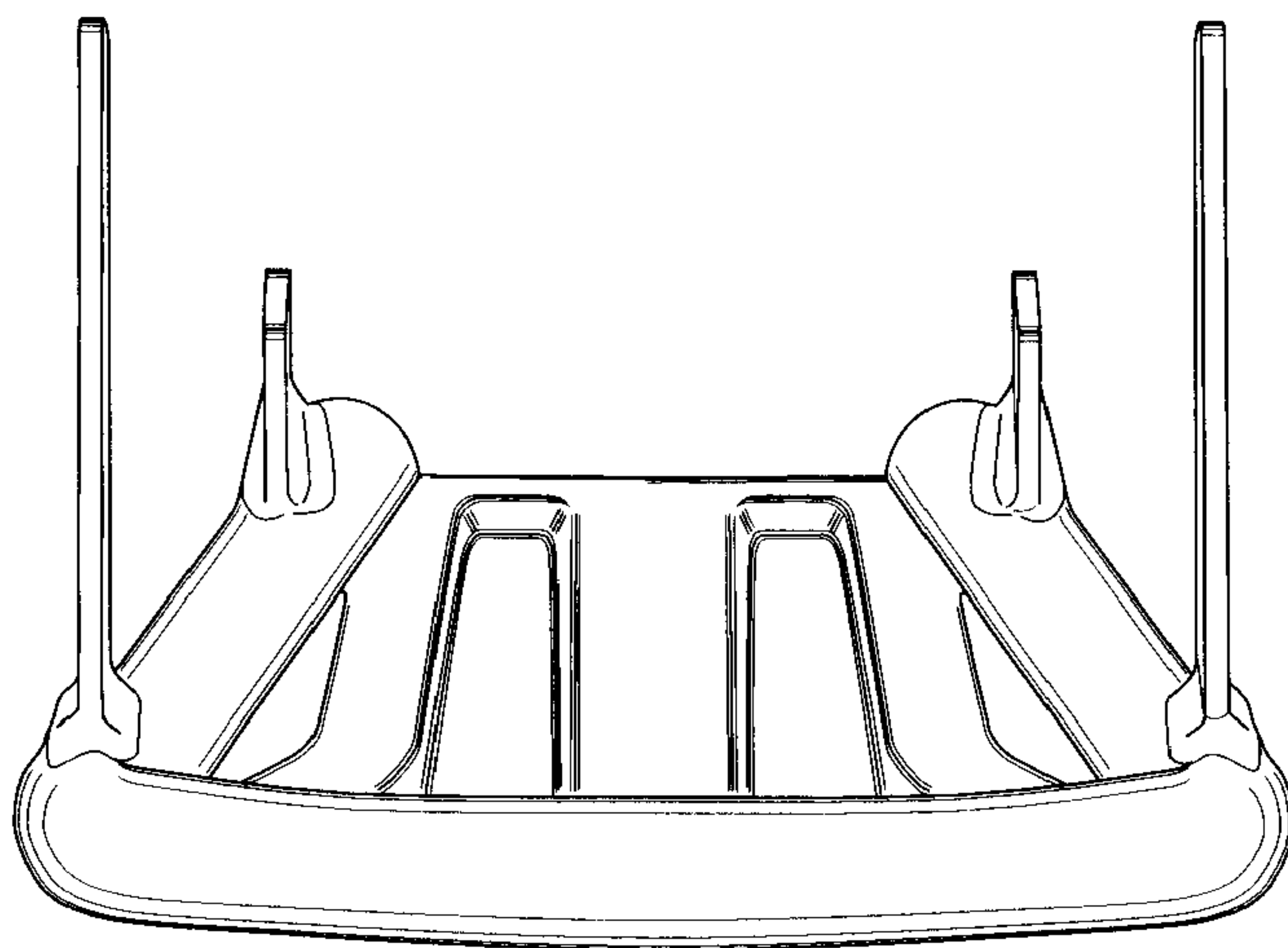


FIG.4

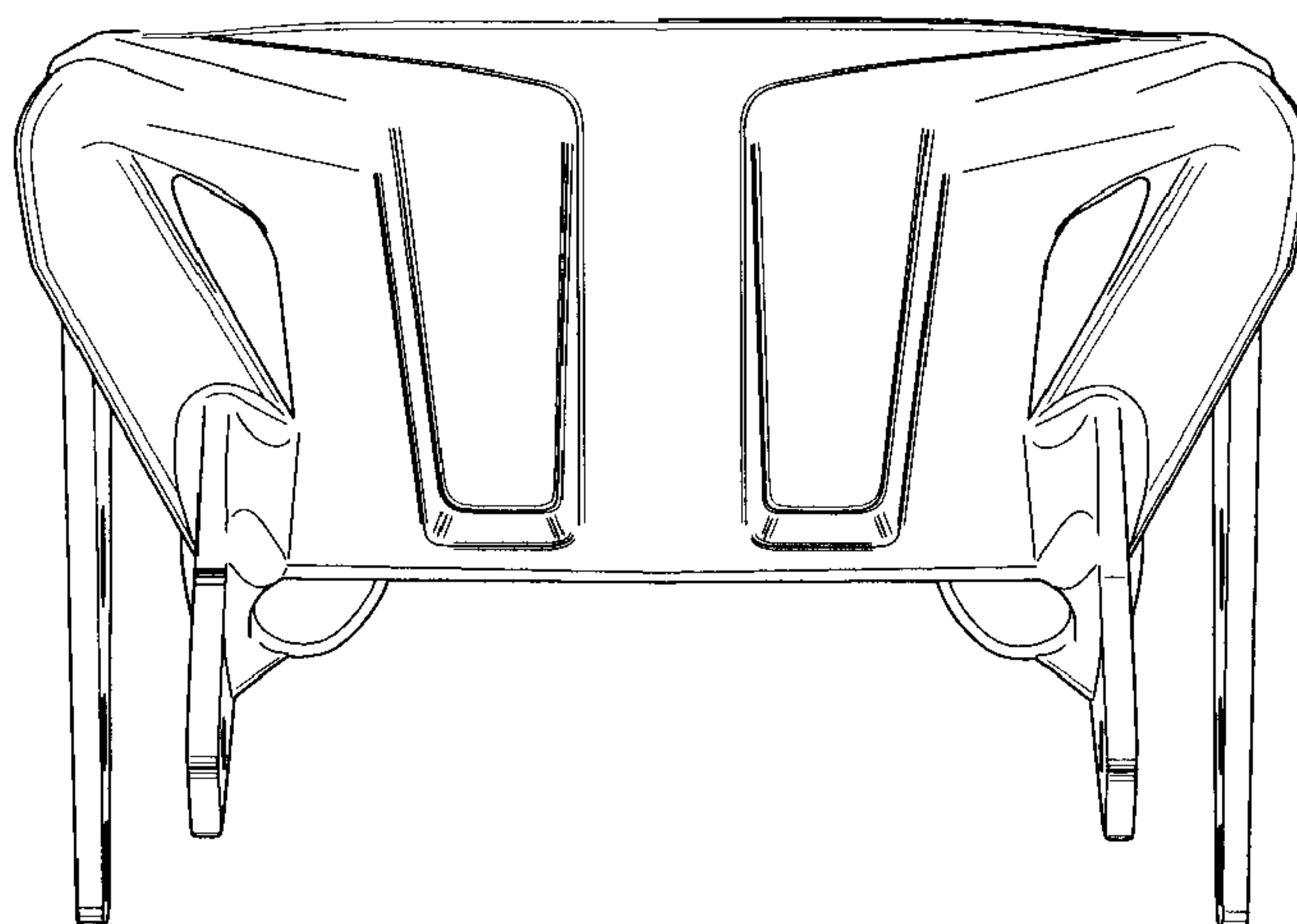


FIG.5

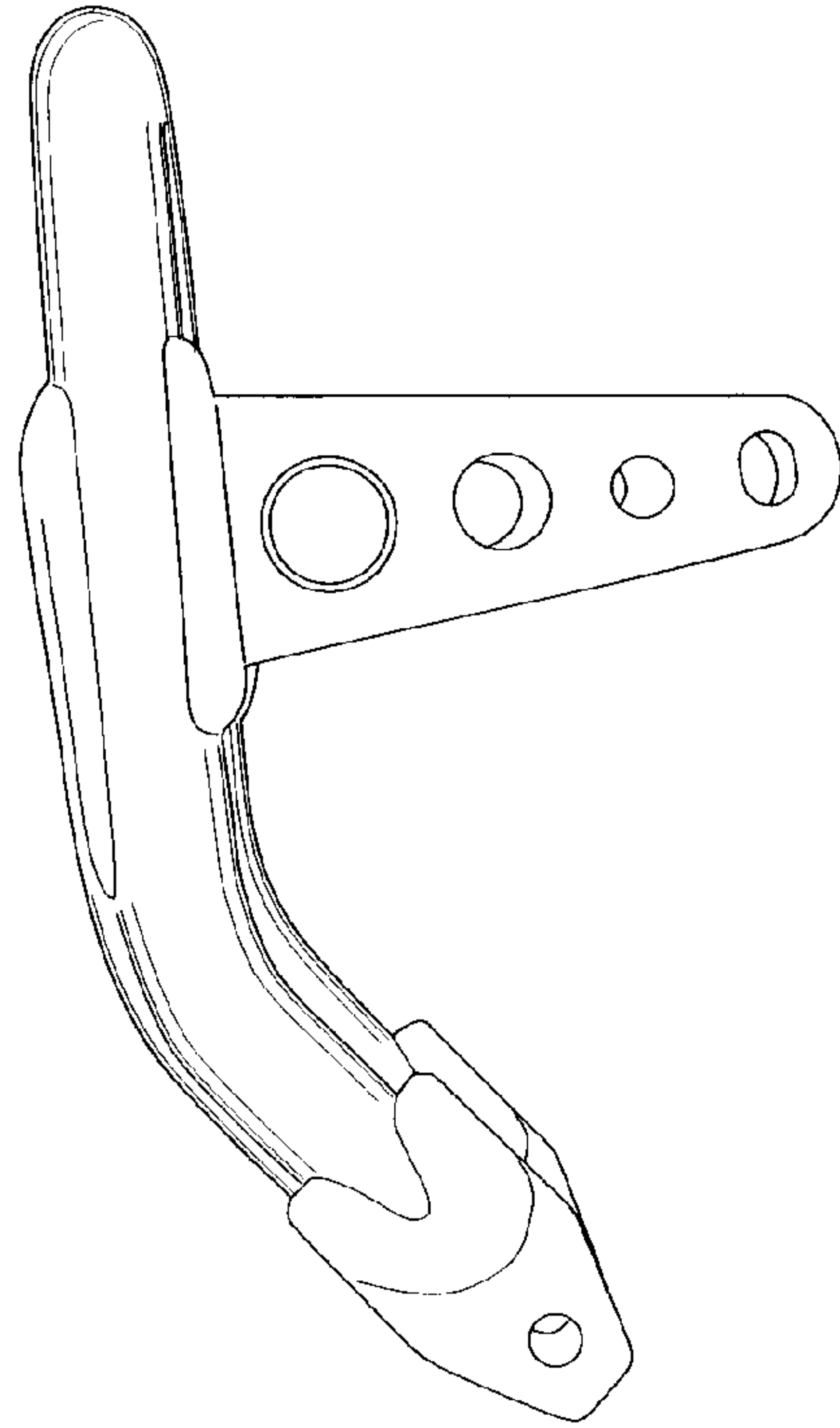


FIG.6

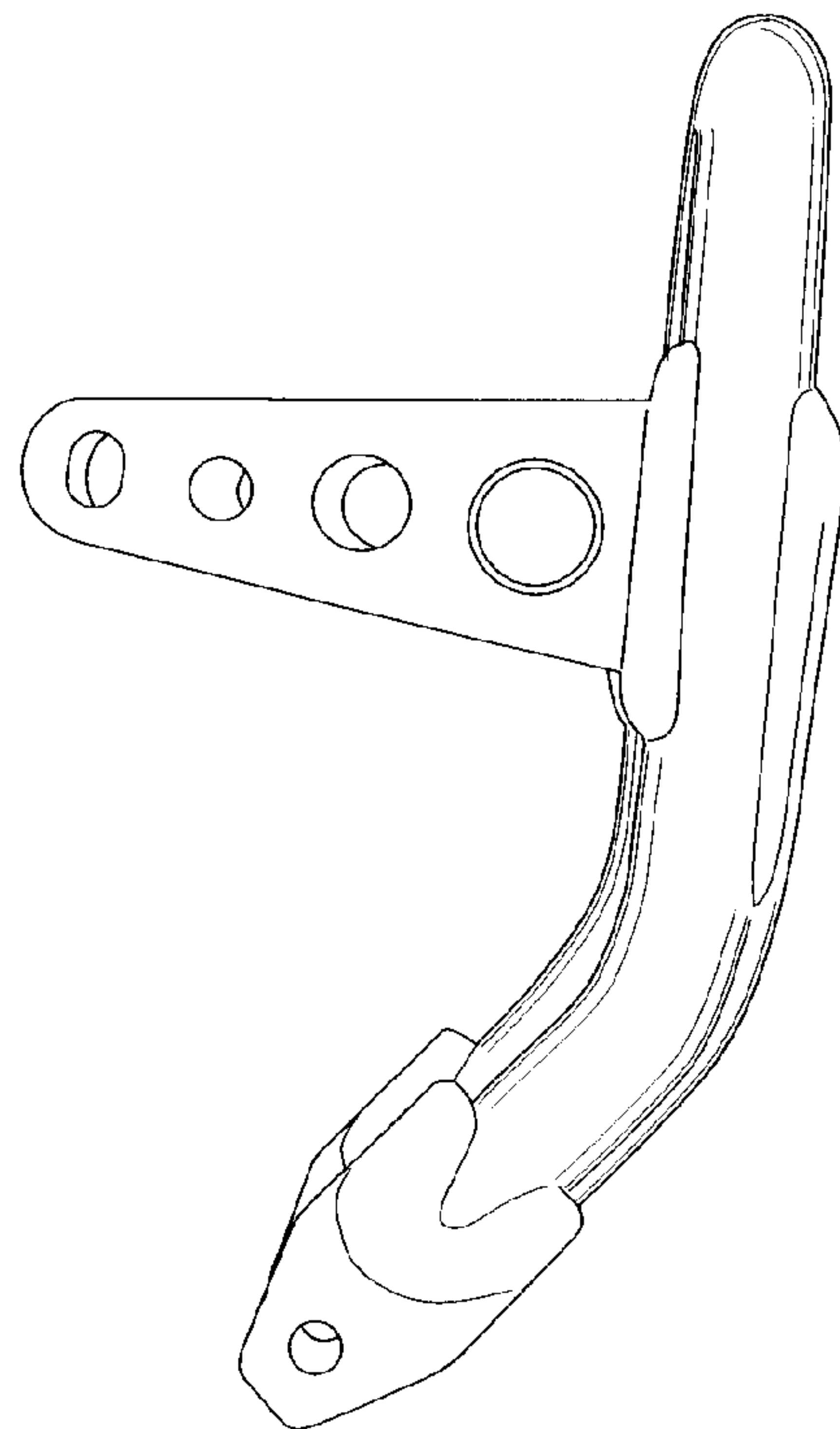




FIG.7

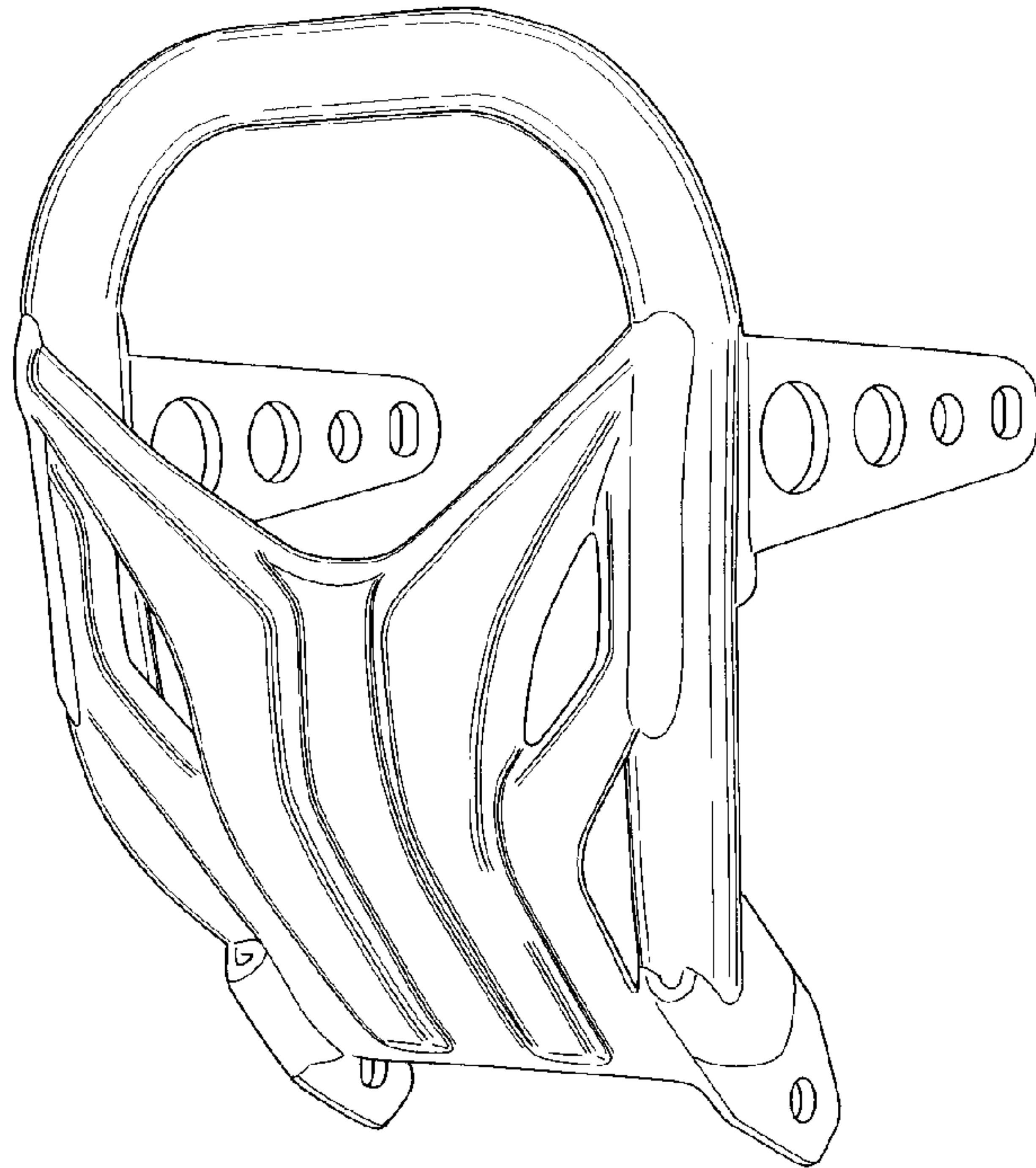


FIG.8

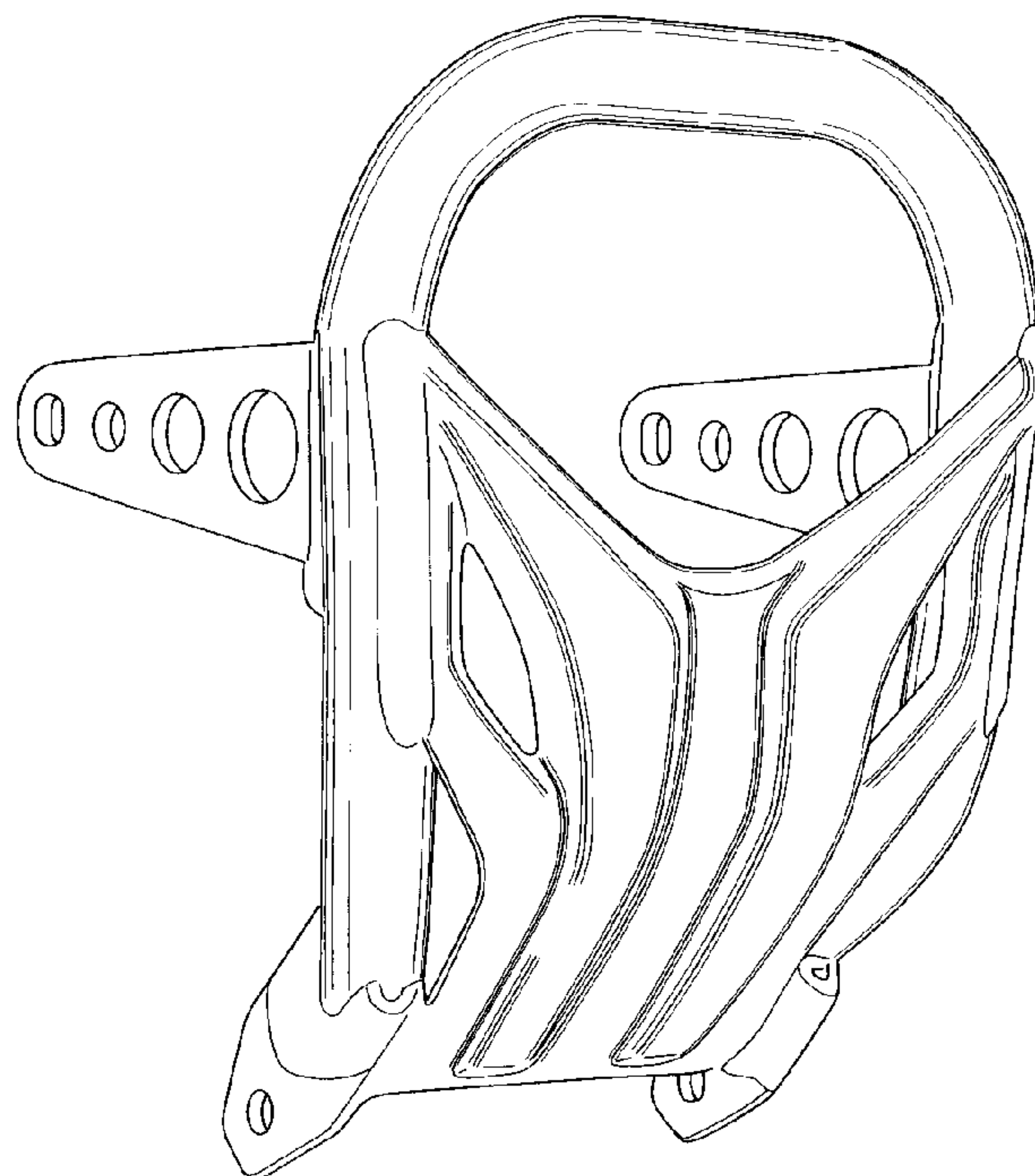


FIG.9

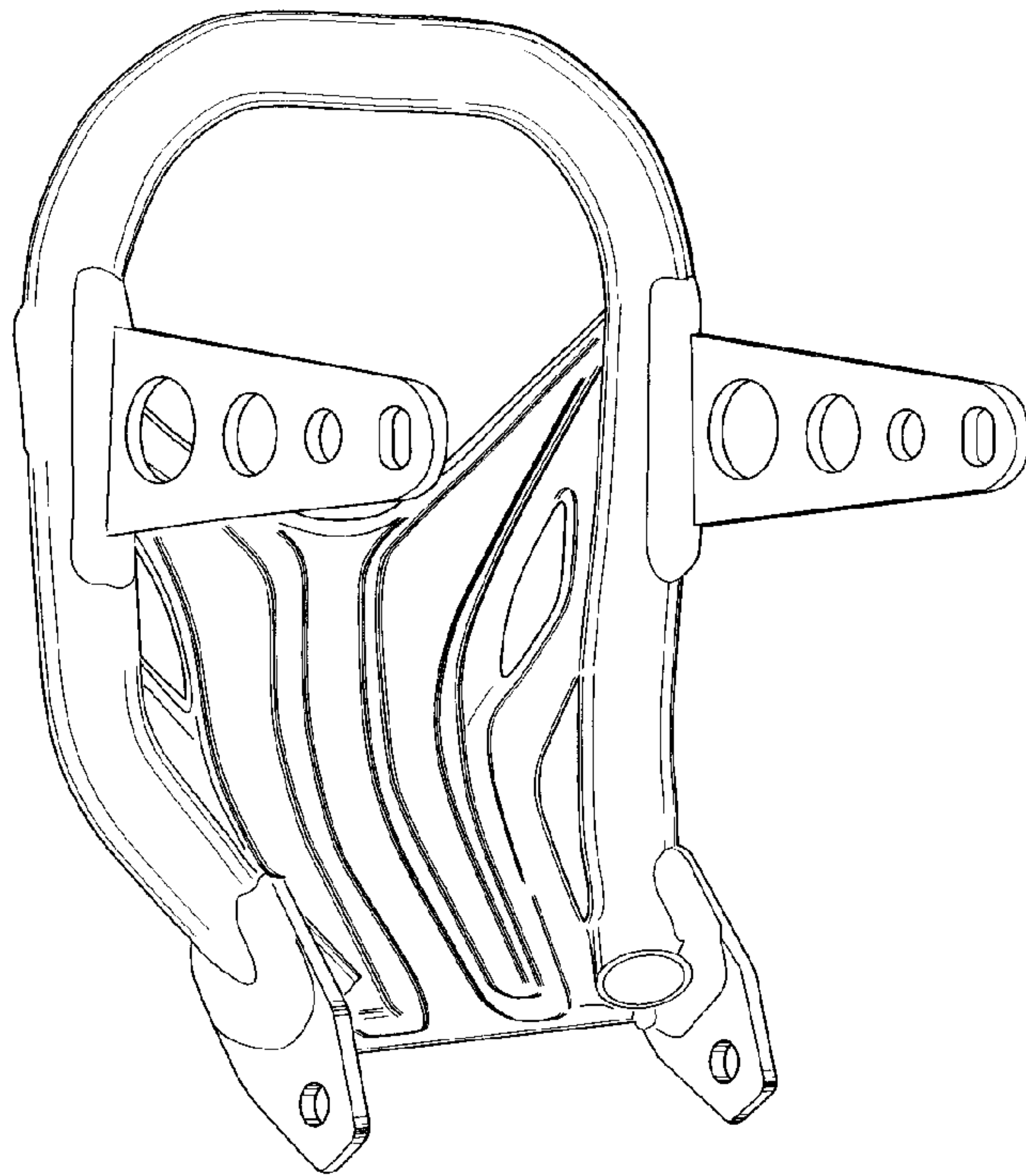


FIG.10

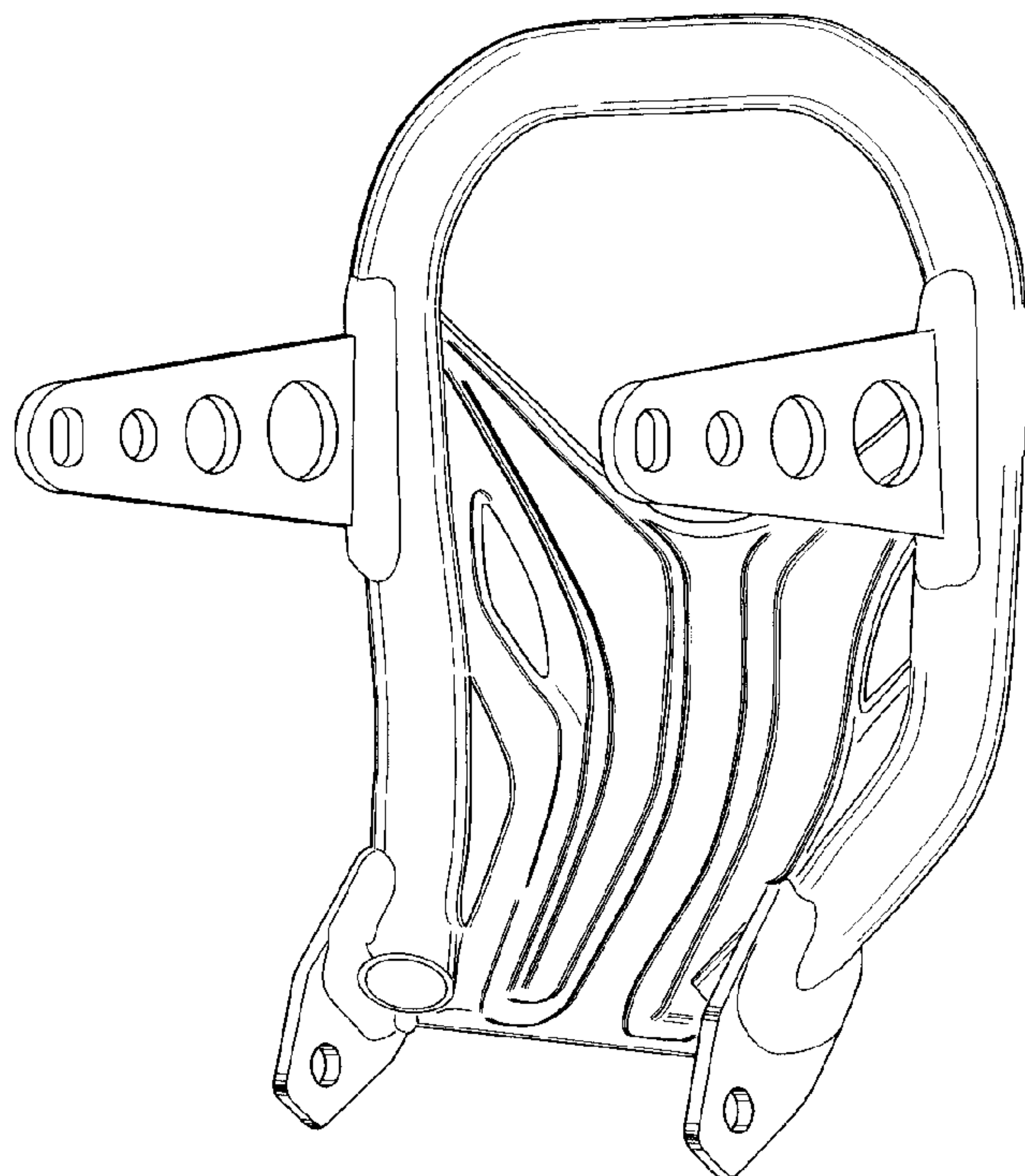


FIG.11

