



US00D532343S

(12) **United States Design Patent** (10) **Patent No.:** **US D532,343 S**  
**Butler** (45) **Date of Patent:** **\*\* Nov. 21, 2006**

(54) **CANOPY FOR USE WITH A WHEEL CHAIR**

*Primary Examiner*—Marcus A. Jackson  
(74) *Attorney, Agent, or Firm*—Crossley Patent Law; Mark Crossley

(76) **Inventor:** **Cynthia L. Butler**, 2000 NW. 188 Ter., Miami, FL (US) 33056

(\*\*) **Term:** **14 Years**

(57) **CLAIM**

The ornamental design for a canopy for use with a wheel chair, as shown and described.

(21) **Appl. No.:** **29/241,941**

(22) **Filed:** **Nov. 3, 2005**

**DESCRIPTION**

(51) **LOC (8) Cl.** ..... **12-12**

FIG. 1 is a side elevation view of a canopy for use with a wheel chair showing my new design;  
FIG. 2 is a front elevation view;  
FIG. 3 is a rear elevation view;  
FIG. 4 is a top plan view;  
FIG. 5 is a bottom plan view;  
FIG. 6 is a left side isometric view of a canopy for use with a wheel chair showing my new design; and,  
FIG. 7 is a left side isometric view of a canopy for use with a wheel chair showing an embodiment with collapsible viewing windows in the canopy.  
The exemplary wheelchair shown in broken lines is for illustrative purposes only and forms no part of the claimed design.

(52) **U.S. Cl.** ..... **D12/133**

(58) **Field of Classification Search** ..... D12/128–133;  
135/88.01, 124, 132; 5/93.1, 99.1, 101, 414,  
5/416

See application file for complete search history.

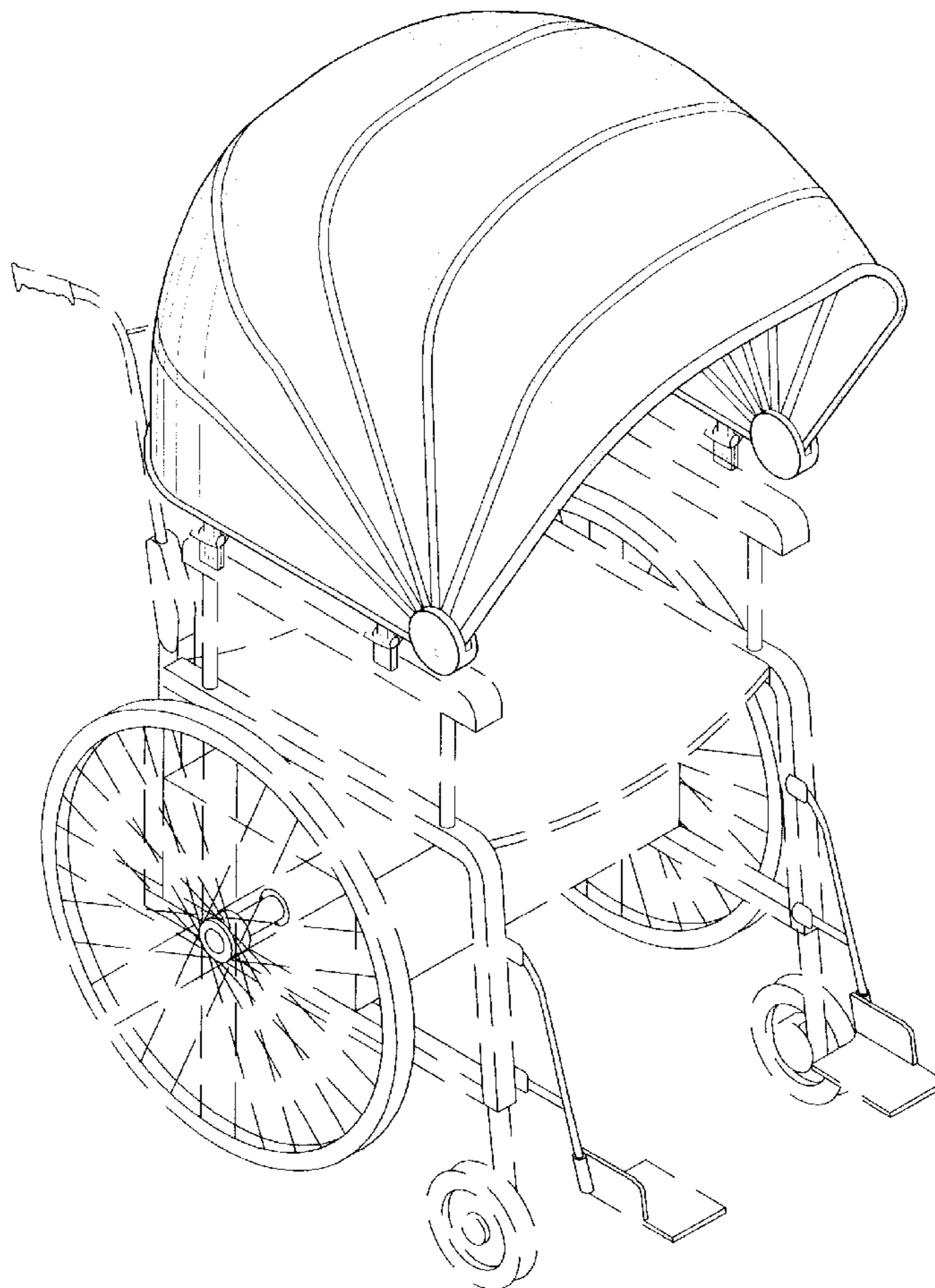
(56) **References Cited**

**U.S. PATENT DOCUMENTS**

D263,984 S	4/1982	Moss	
D431,377 S	* 10/2000	Buggs	D6/333
D493,984 S	* 8/2004	Hussain	D6/491
6,976,686 B1	* 12/2005	Hsia	280/47.38

\* cited by examiner

**1 Claim, 4 Drawing Sheets**



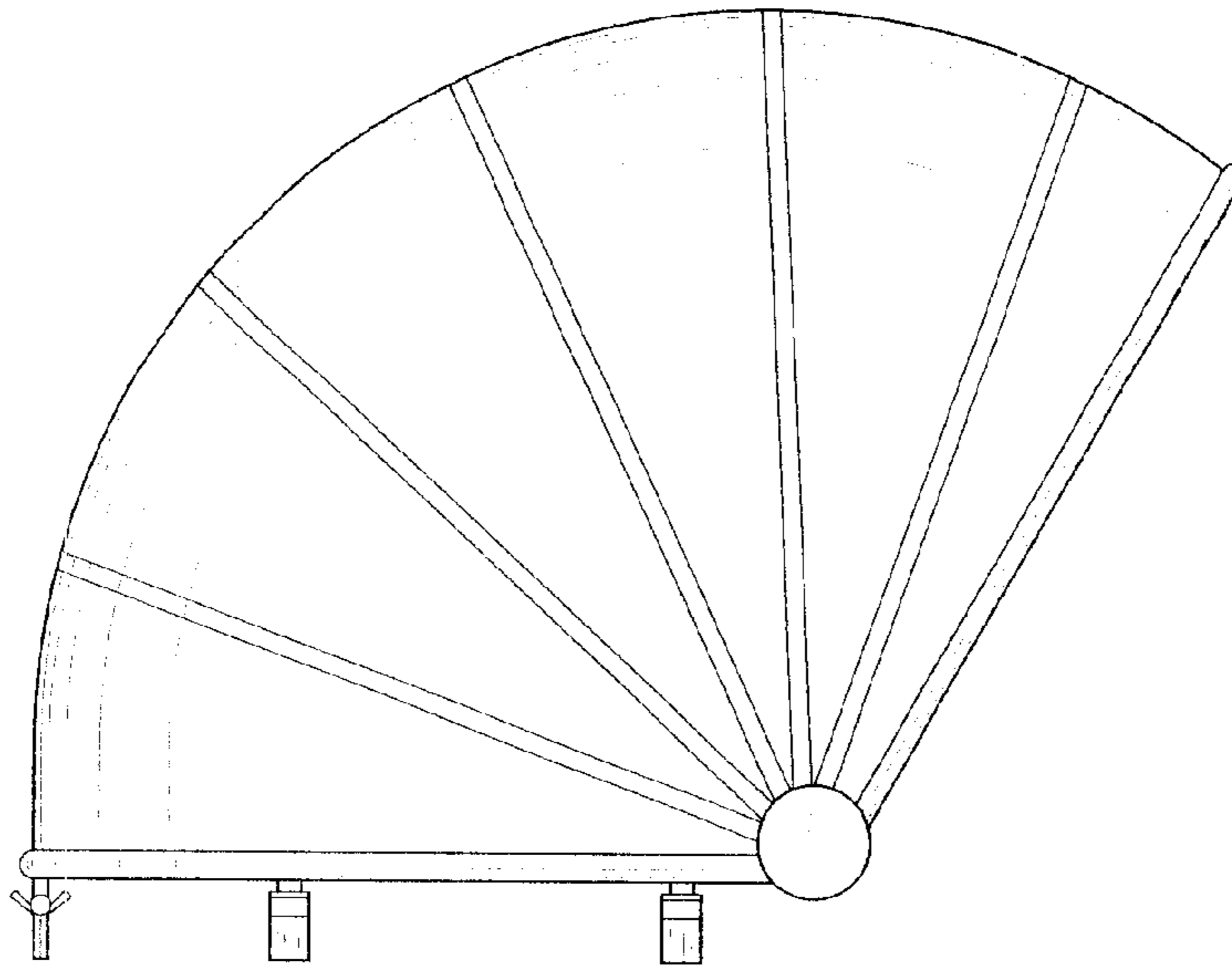


FIG. 1

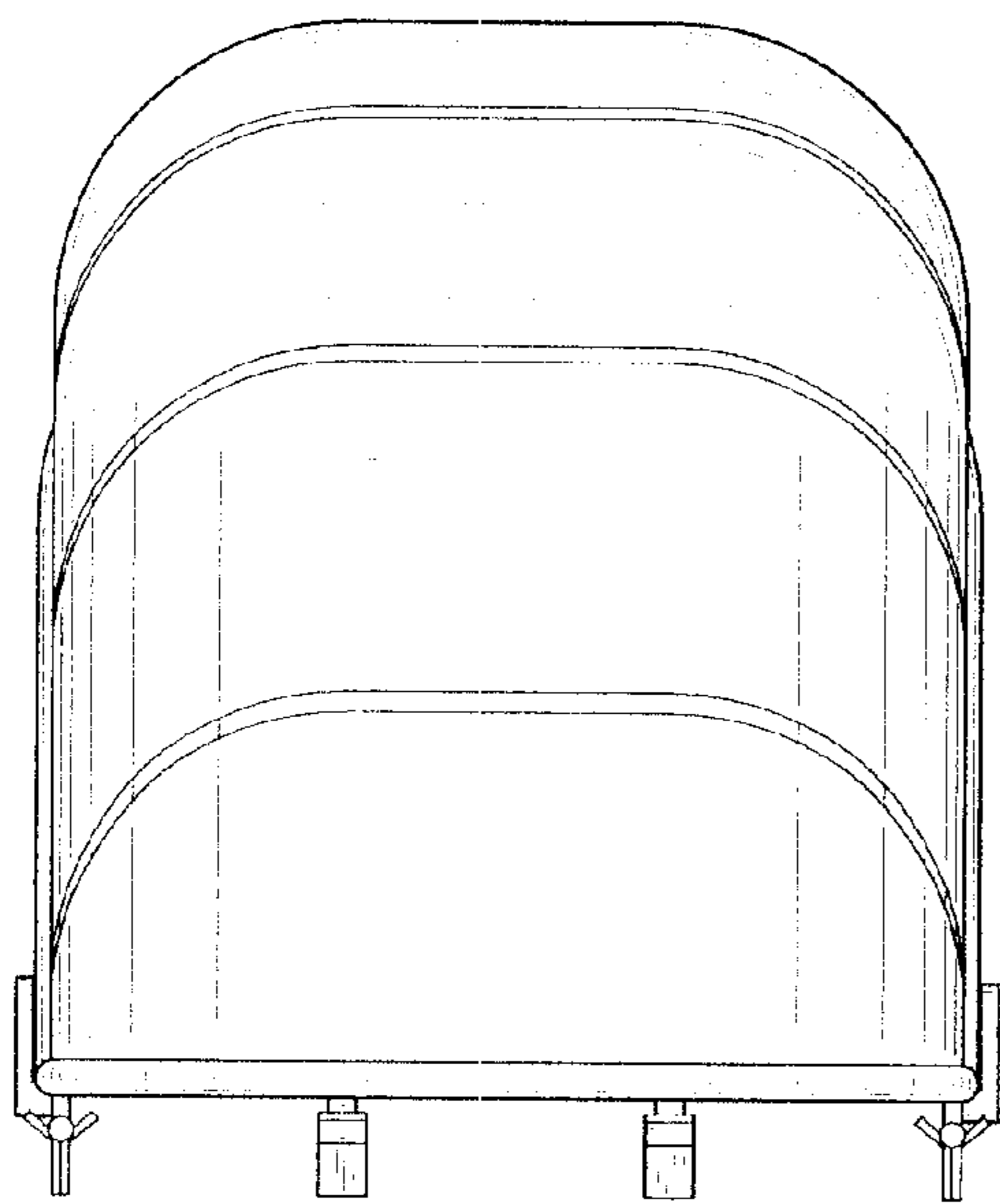


FIG. 2

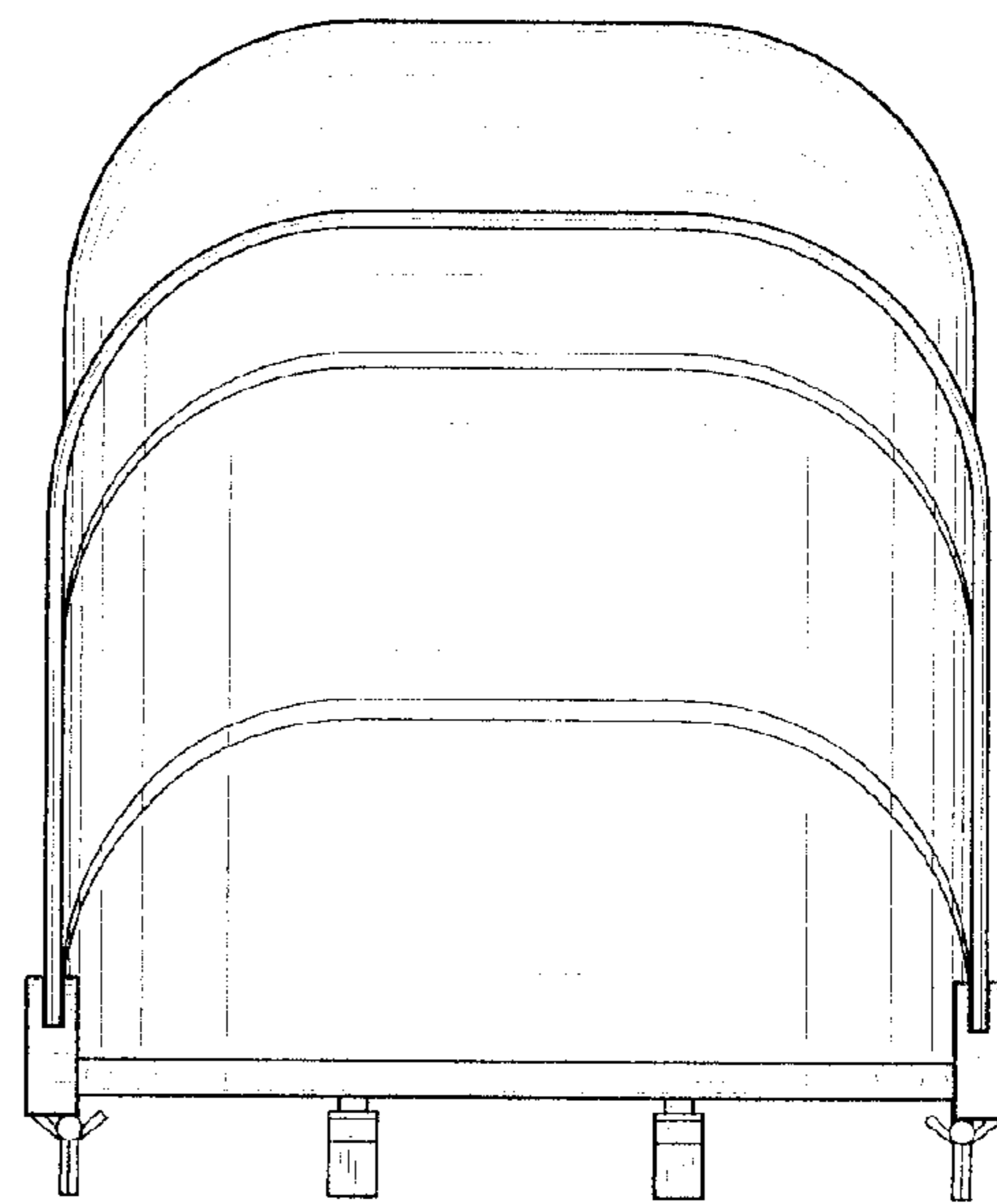


FIG. 3

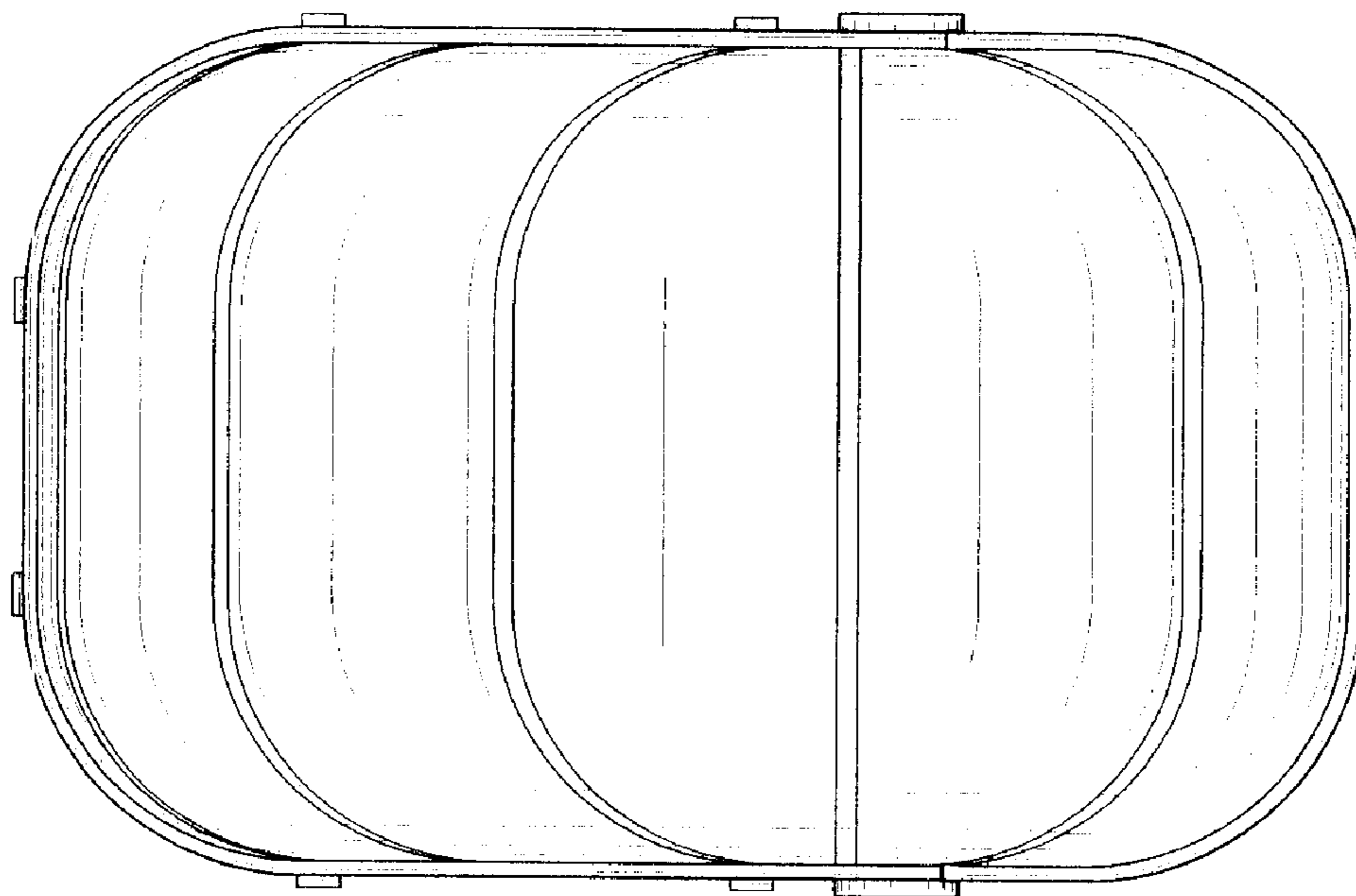


FIG. 4

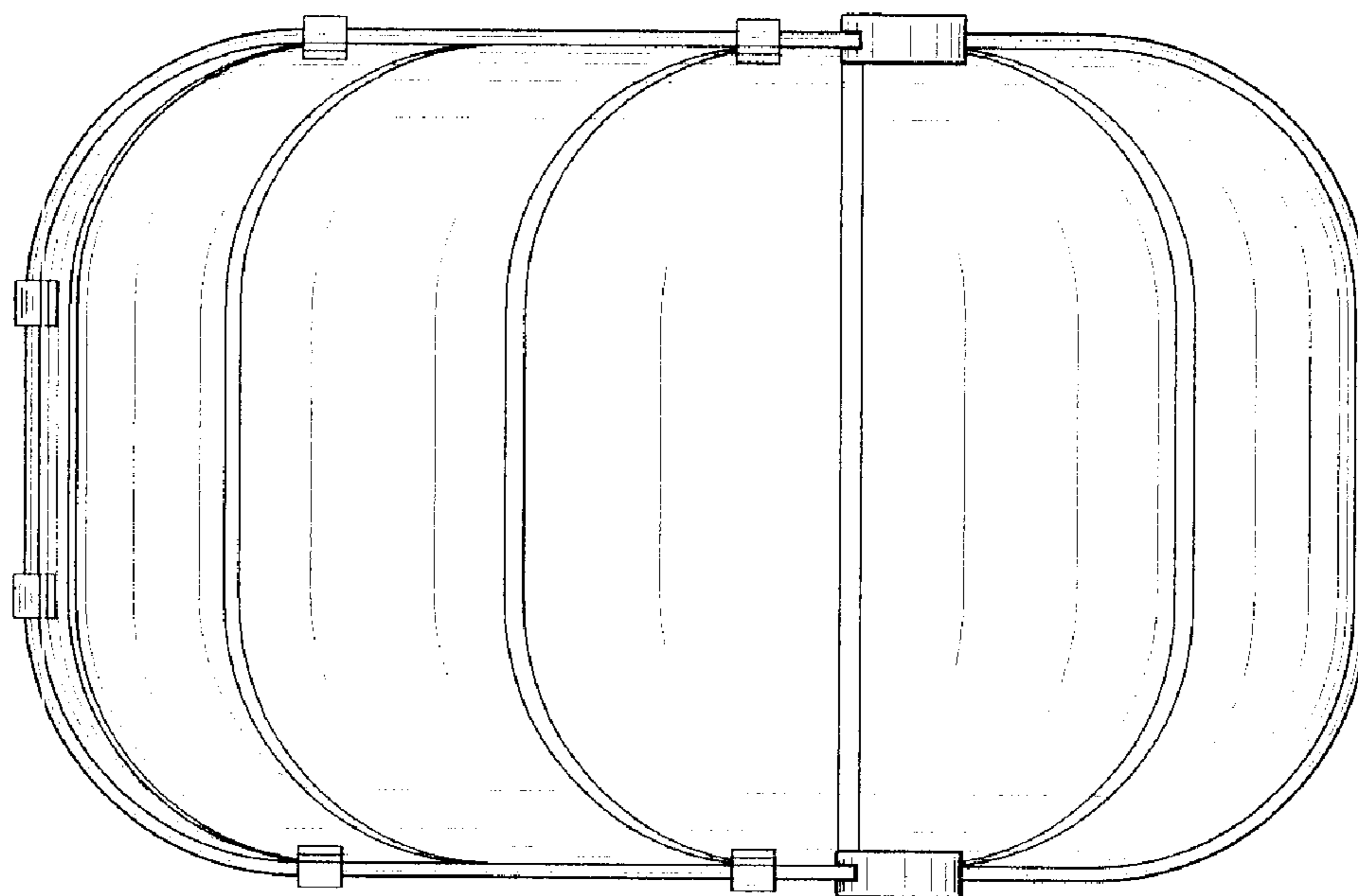


FIG. 5

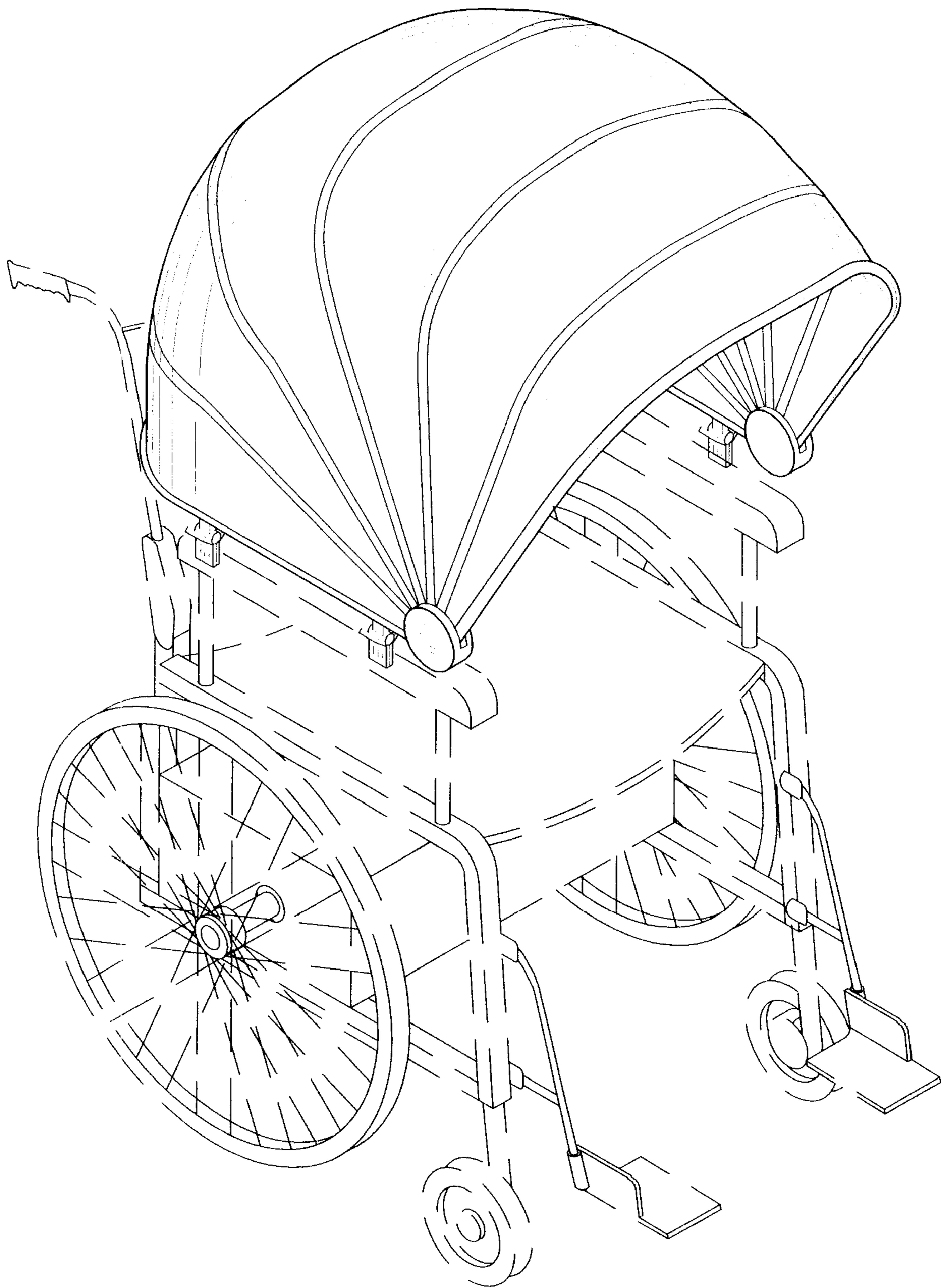


FIG. 6

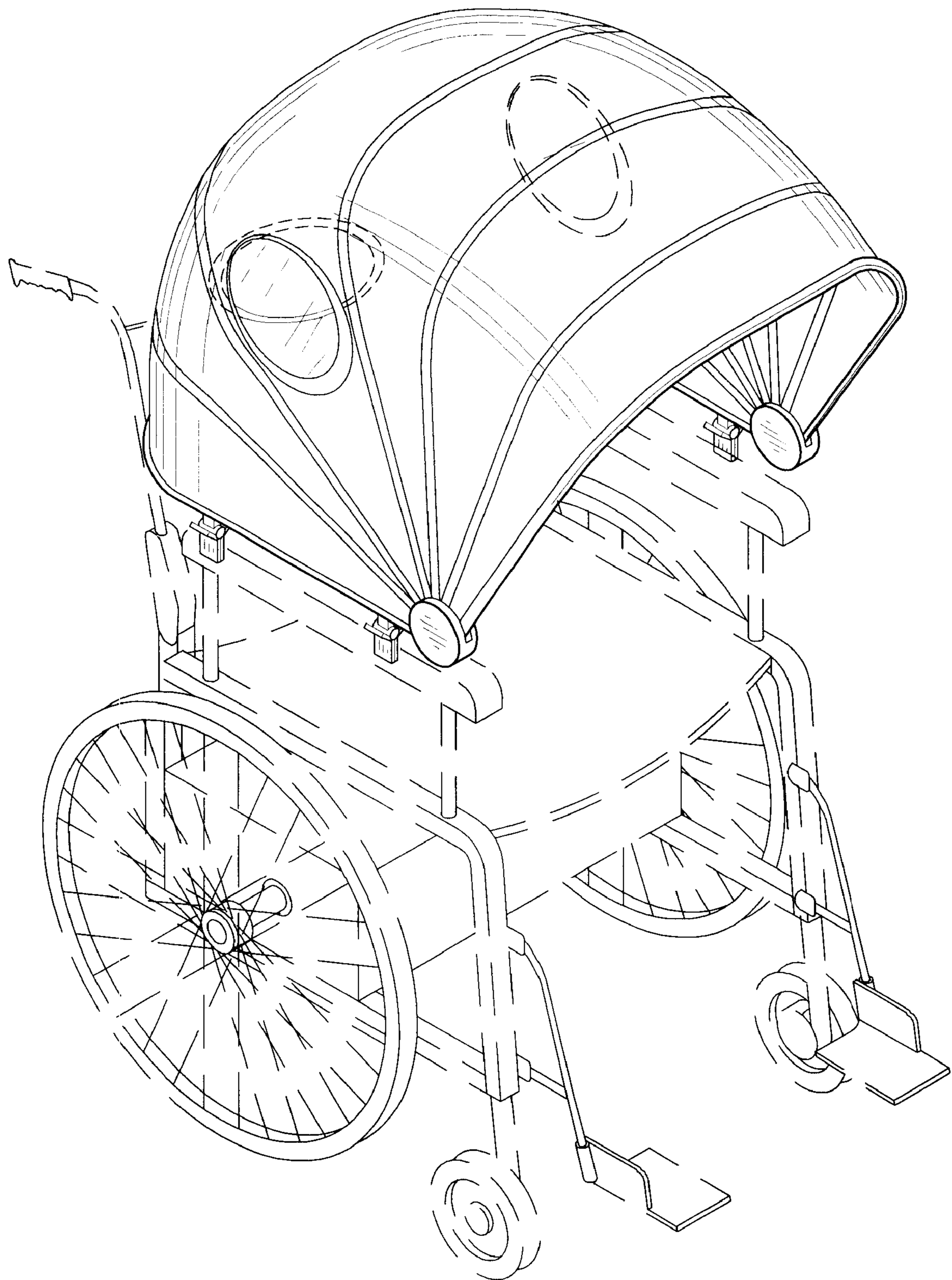


FIG. 7