

US00D532342S

(12) **United States Design Patent**  
**Arakawa**

(10) **Patent No.:** **US D532,342 S**

(45) **Date of Patent:** **\*\* Nov. 21, 2006**

(54) **BICYCLE CRANK**

(75) Inventor: **Masayuki Arakawa**, Osaka (JP)

(73) Assignee: **Shimano Inc.**, Osaka (JP)

(\*\*) Term: **14 Years**

(21) Appl. No.: **29/236,226**

(22) Filed: **Aug. 15, 2005**

(30) **Foreign Application Priority Data**

Feb. 24, 2005 (JP) ..... 2005-005167

(51) **LOC (8) Cl.** ..... **12-11**

(52) **U.S. Cl.** ..... **D12/123**

(58) **Field of Classification Search** ..... D12/111,  
D12/123; 474/152, 160, 144, 151; 74/594.1,  
74/594.2, 594.3, 594.4; 280/259, 260

See application file for complete search history.

(56) **References Cited**

**U.S. PATENT DOCUMENTS**

D484,831 S 1/2004 Chiang  
7,022,037 B1 \* 4/2006 Valle ..... 474/152  
2003/0073531 A1 4/2003 Tseng

**OTHER PUBLICATIONS**

BikeSolutions, The Product Managers Specification Guide,  
Apr. 2003, 3 pages, vol. No. 1 OEM Edition.

\* cited by examiner

*Primary Examiner*—Freda Nunn  
*Assistant Examiner*—Linda Brooks

(74) *Attorney, Agent, or Firm*—Global IP Counselors, LLP

(57) **CLAIM**

The ornamental design for a bicycle crank, as shown and described.

**DESCRIPTION**

FIG. 1 is a perspective view of the bicycle crank in accordance with my new design;

FIG. 2 is an outside elevational view of the bicycle crank in accordance with my new design of FIG. 1;

FIG. 3 is an inside elevational view of the bicycle crank in accordance with my new design of FIGS. 1 and 2;

FIG. 4 is a front side elevational view of the bicycle crank in accordance with my new design of FIGS. 1–3;

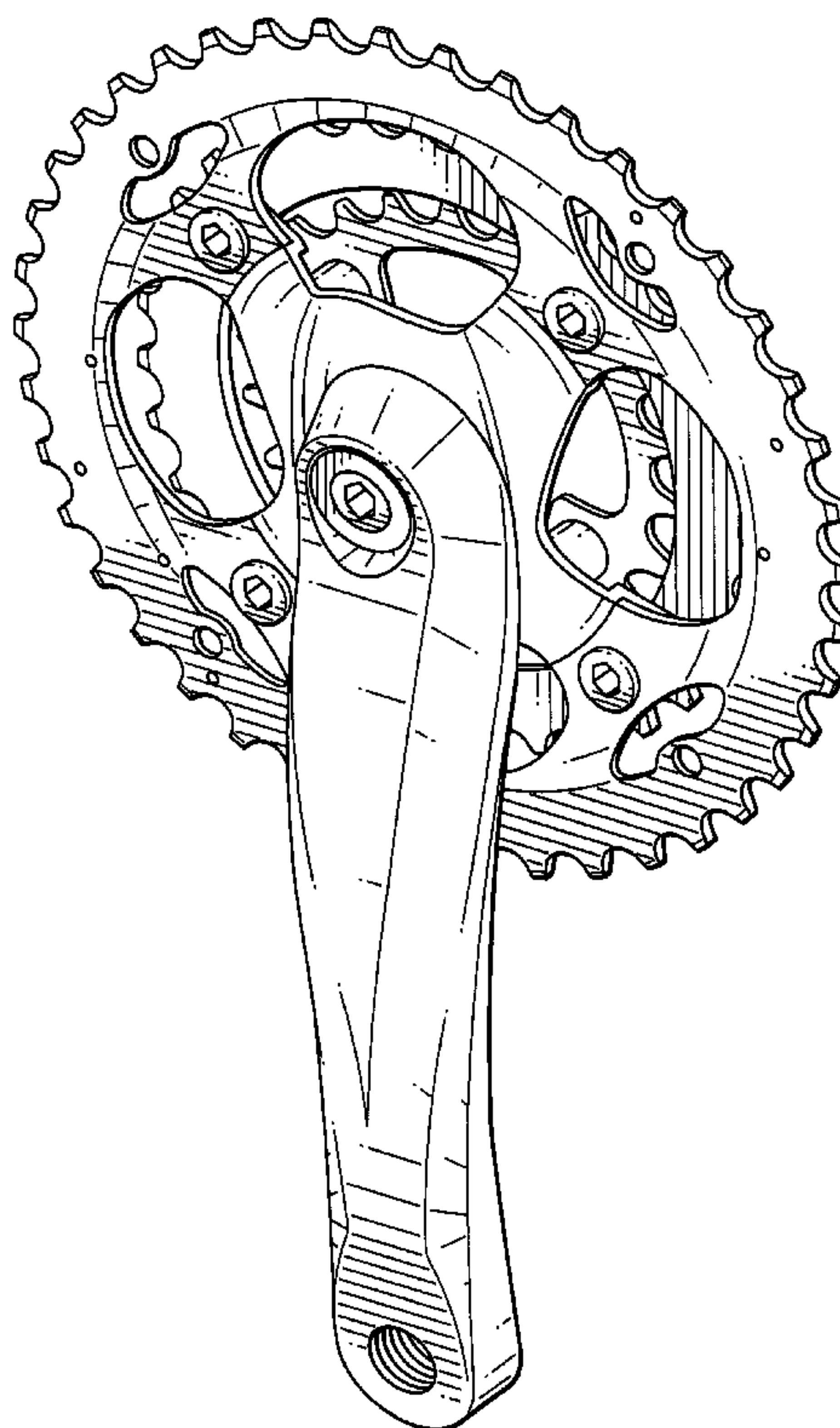
FIG. 5 is a rear side elevational view of the bicycle crank in accordance with my new design of FIGS. 1–4;

FIG. 6 is a top plan view of the bicycle crank in accordance with my new design of FIGS. 1–5; and,

FIG. 7 is a bottom plan view of the bicycle crank in accordance with my new design of FIGS. 1–6.

The broken line showing of environment (the remaining structure of the bicycle crank) in the Figures is for illustrative purposes only and forms no part of the claimed design.

**1 Claim, 6 Drawing Sheets**



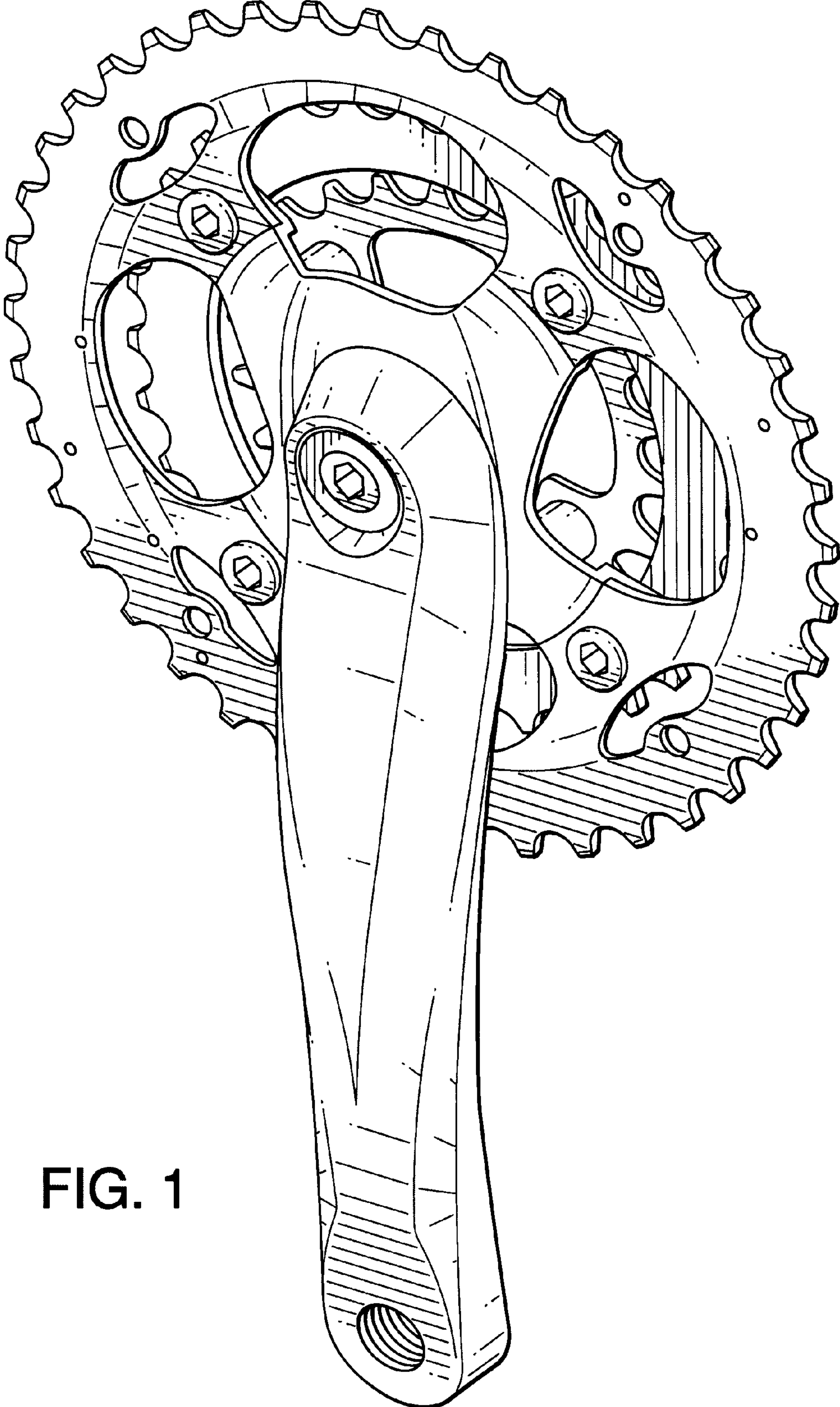


FIG. 1

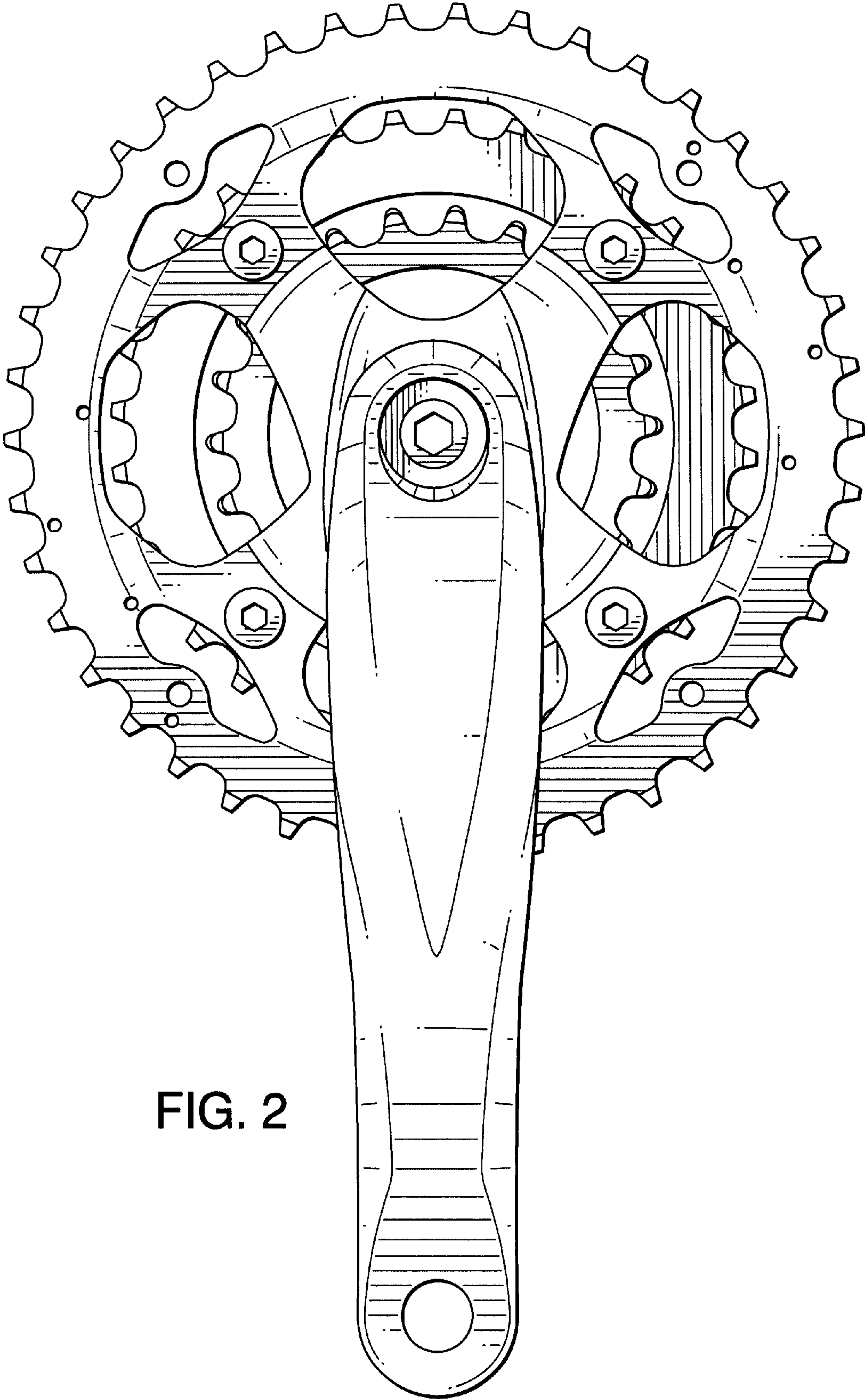


FIG. 2



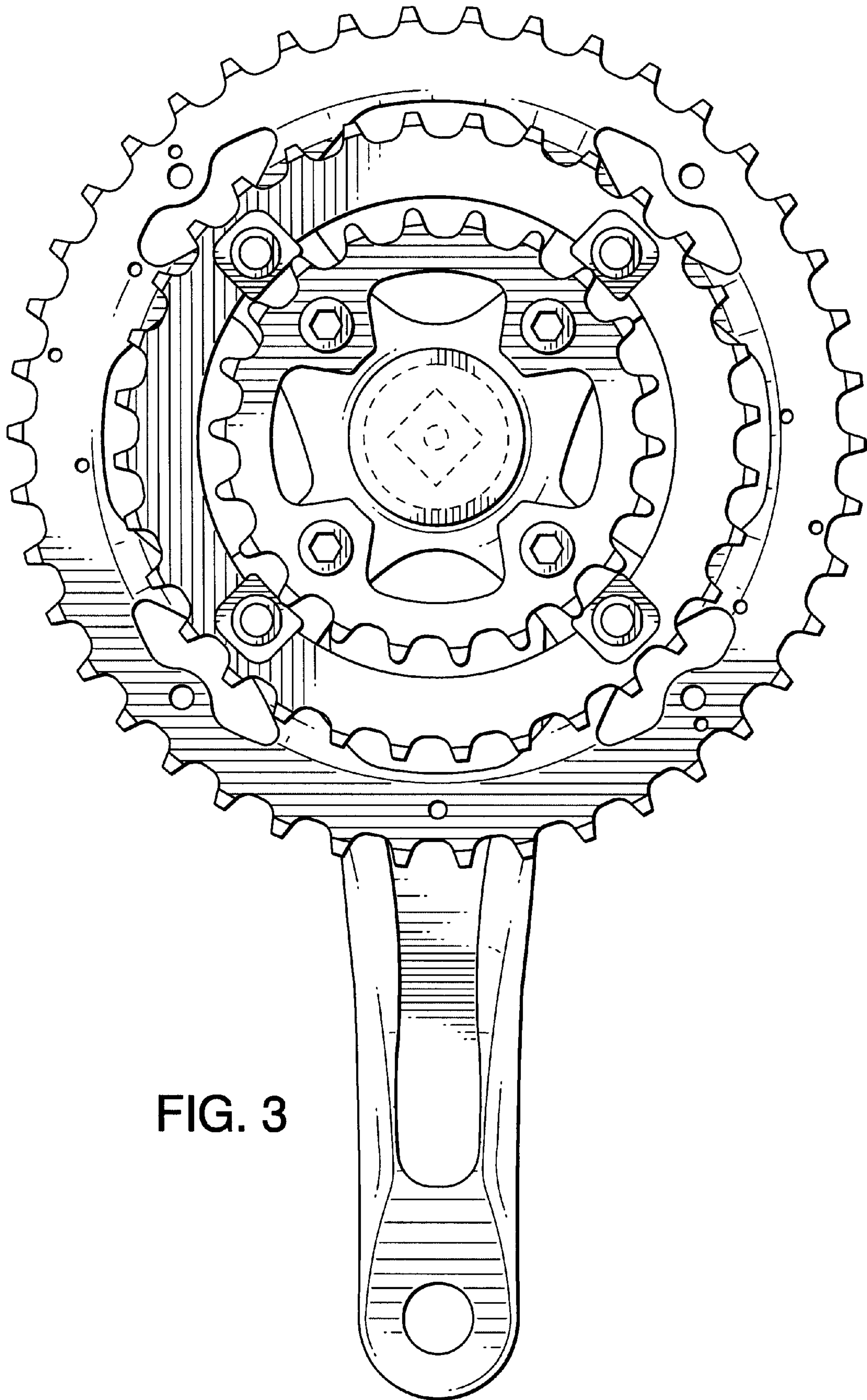


FIG. 3

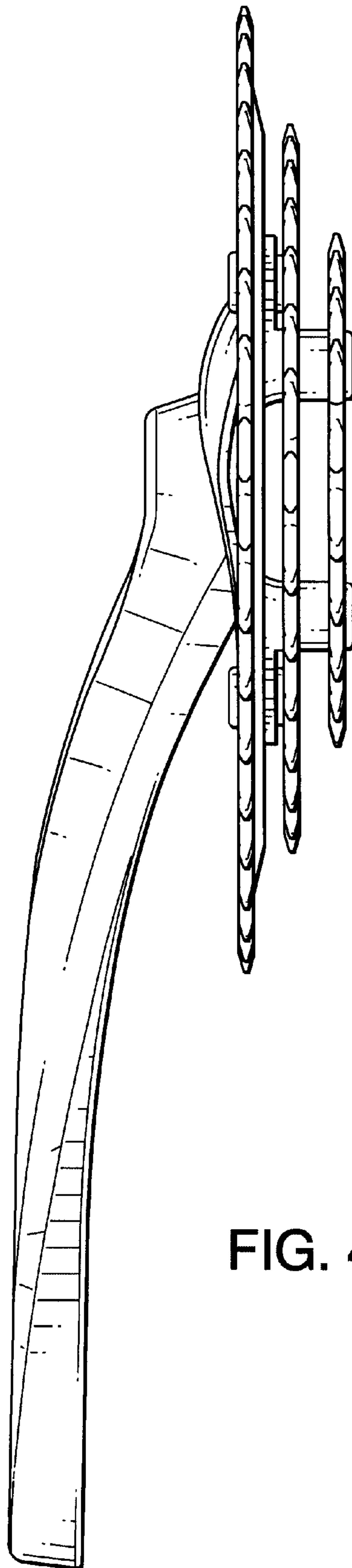


FIG. 4

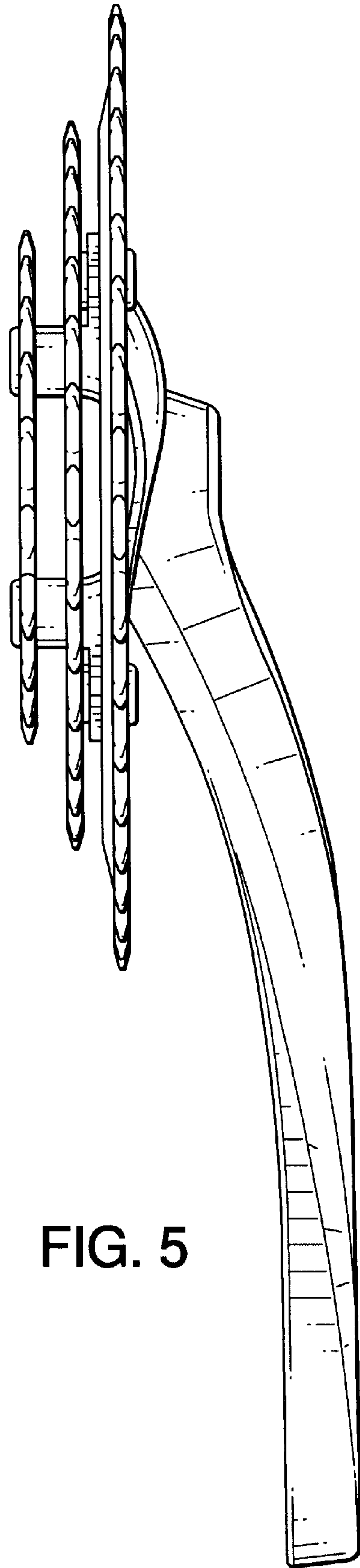


FIG. 5

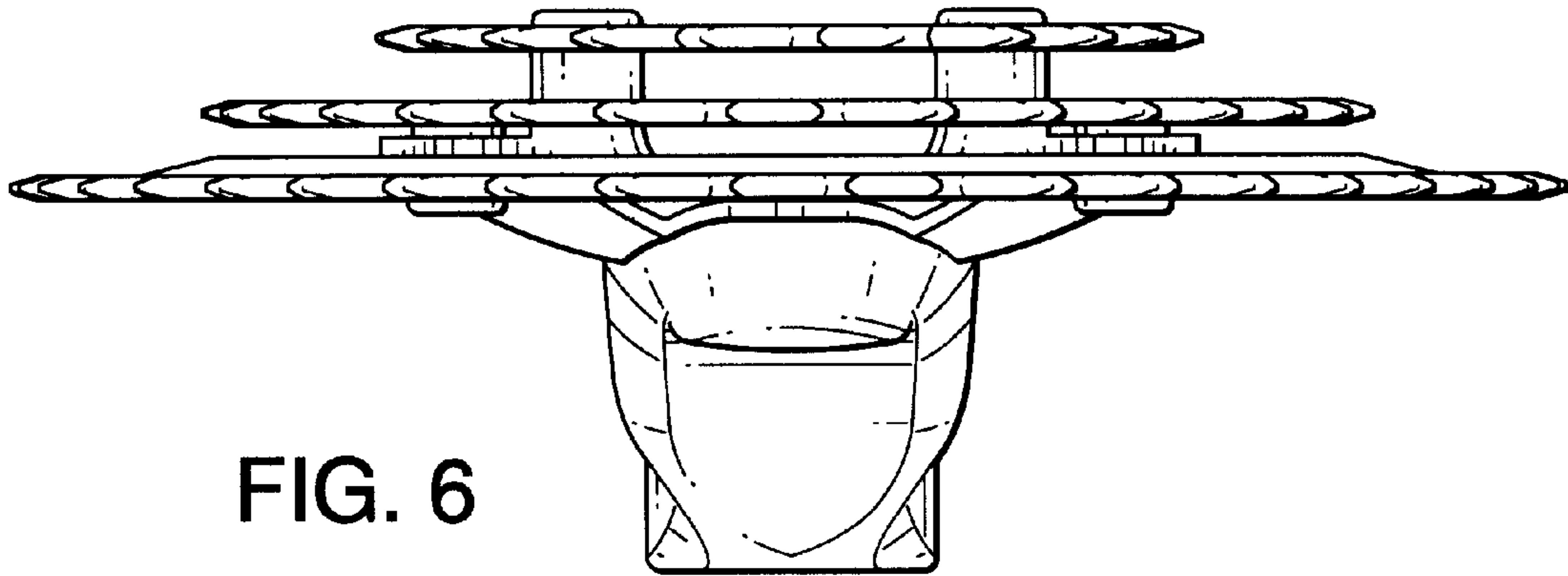


FIG. 6

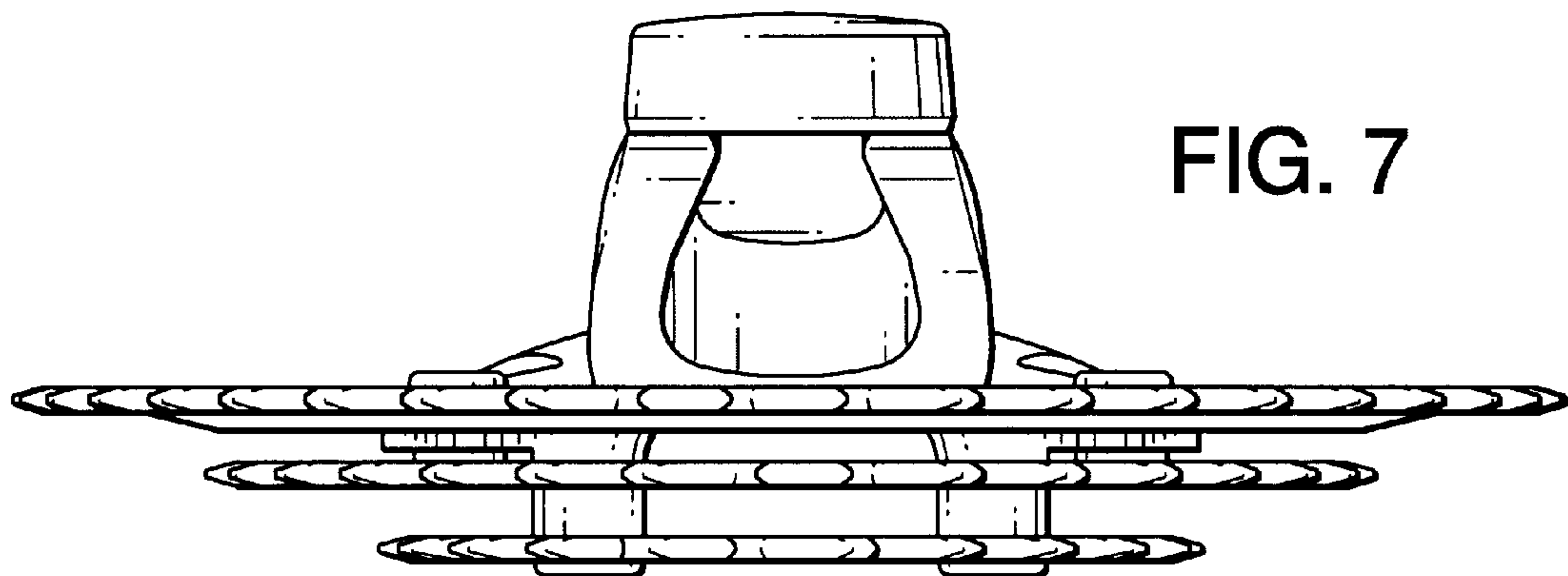


FIG. 7