



US00D532340S

(12) **United States Design Patent**  
**Fujita**

(10) **Patent No.:** **US D532,340 S**

(45) **Date of Patent:** **\*\* Nov. 21, 2006**

(54) **SHOCK ABSORBER FOR FRONT FORK OF TWO-WHEELED VEHICLE**

(75) Inventor: **Nobuaki Fujita**, Shizuoka (JP)

(73) Assignee: **Showa Corporation**, Saitama (JP)

(\*\*) Term: **14 Years**

(21) Appl. No.: **29/219,235**

(22) Filed: **Dec. 14, 2004**

(30) **Foreign Application Priority Data**

Jun. 30, 2004 (JP) ..... 2004-019600

(51) **LOC (8) Cl.** ..... **12-11**

(52) **U.S. Cl.** ..... **D12/118**

(58) **Field of Classification Search** ..... D12/110,  
D12/117, 118; 180/219; 280/274-280, 281.1,  
280/283, 286, 288.1, 288.2, 288.3, 288.4  
See application file for complete search history.

(56) **References Cited**

**U.S. PATENT DOCUMENTS**

D372,214 S \* 7/1996 Vaillancourt ..... D12/118  
6,520,524 B1 \* 2/2003 Costa ..... 280/276

**OTHER PUBLICATIONS**

Japanese Patent Application Laid-open No. SHO 62-199583, Mar. 9, 1987.

\* cited by examiner

*Primary Examiner*—Alan P. Douglas

*Assistant Examiner*—Linda Brooks

(74) *Attorney, Agent, or Firm*—Orum & Roth LLC

(57) **CLAIM**

I claim the ornamental design for a shock absorber for front fork of two-wheeled vehicle, as shown and described.

**DESCRIPTION**

FIG. 1 is a front view.  
FIG. 2 is a back view.  
FIG. 3 is a plane view.  
FIG. 4 is a bottom view.  
FIG. 5 is a right side view.  
FIG. 6 is a left side view.  
FIG. 7 is a perspective view; and,  
FIG. 8 is another perspective view, with broken lines showing environmental elements which form no part of the claimed design.

**1 Claim, 8 Drawing Sheets**

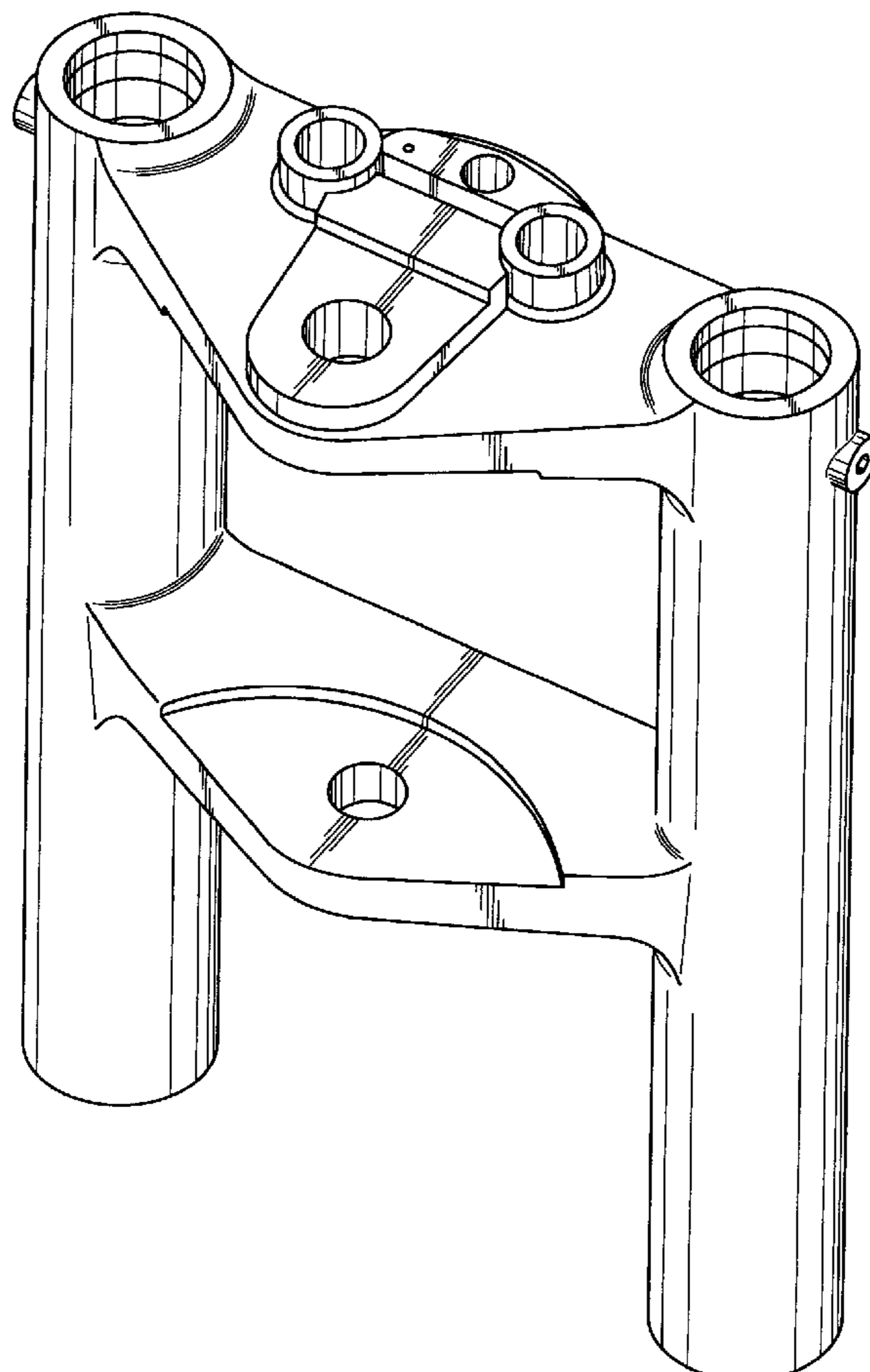
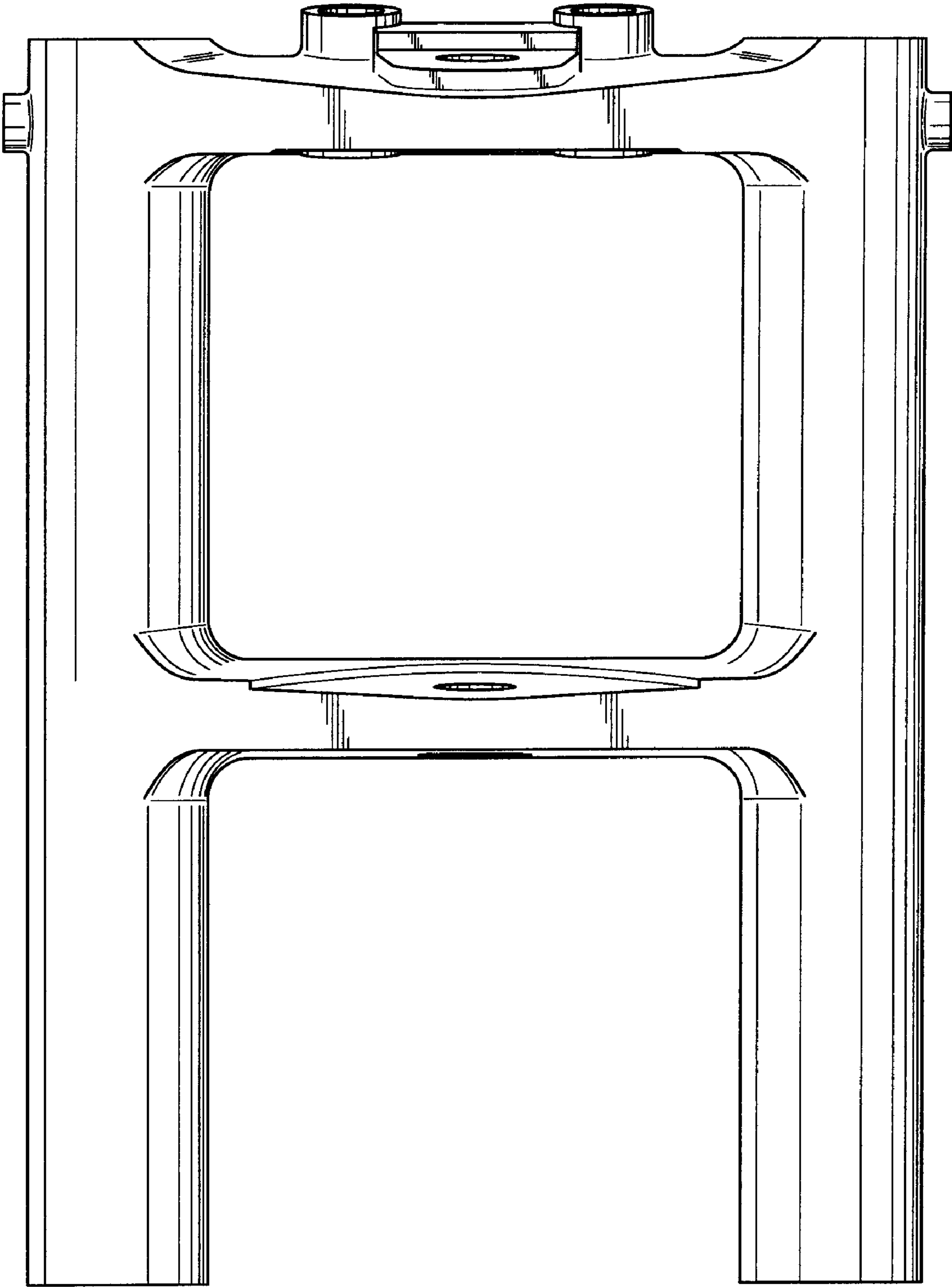
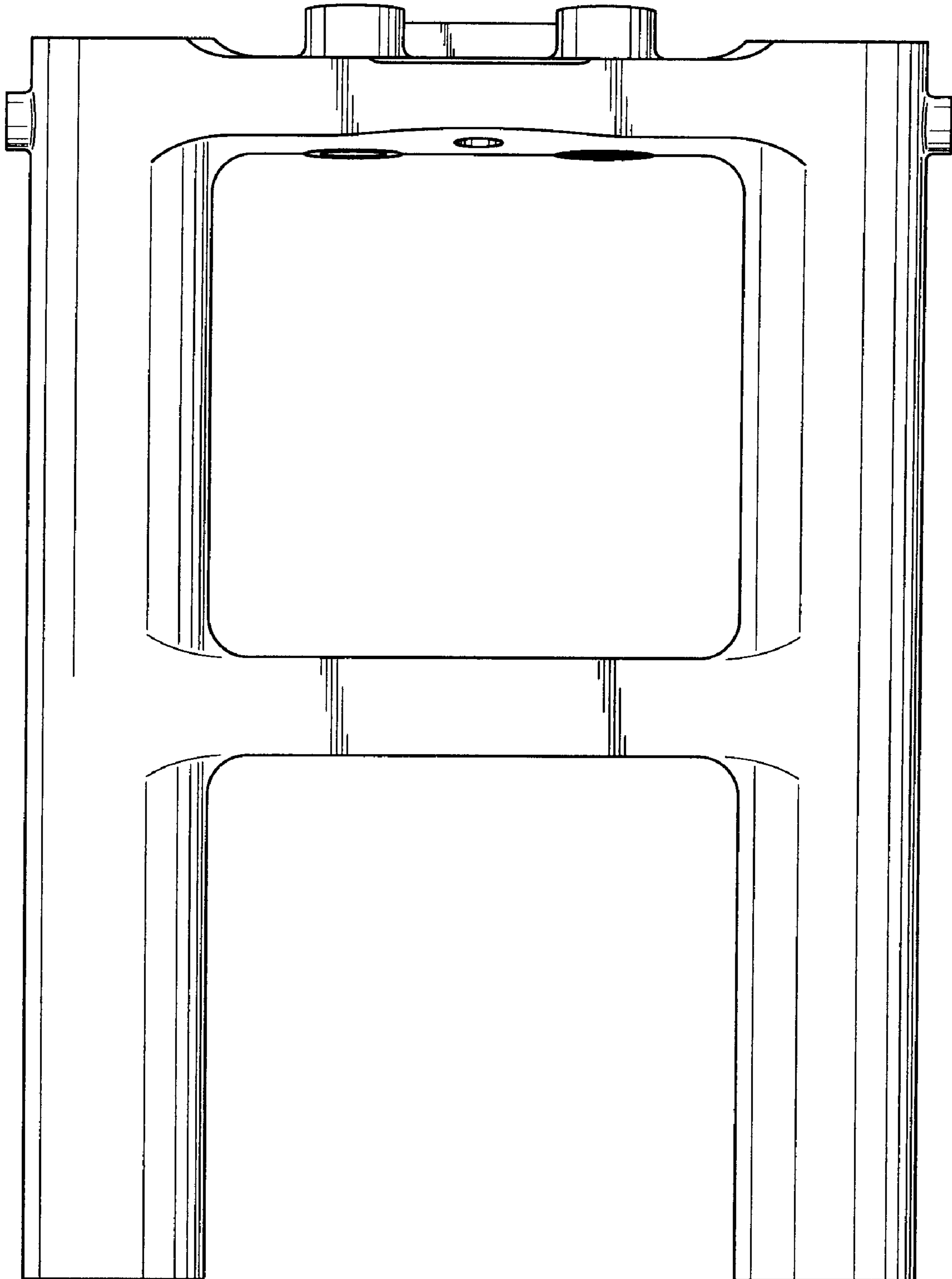


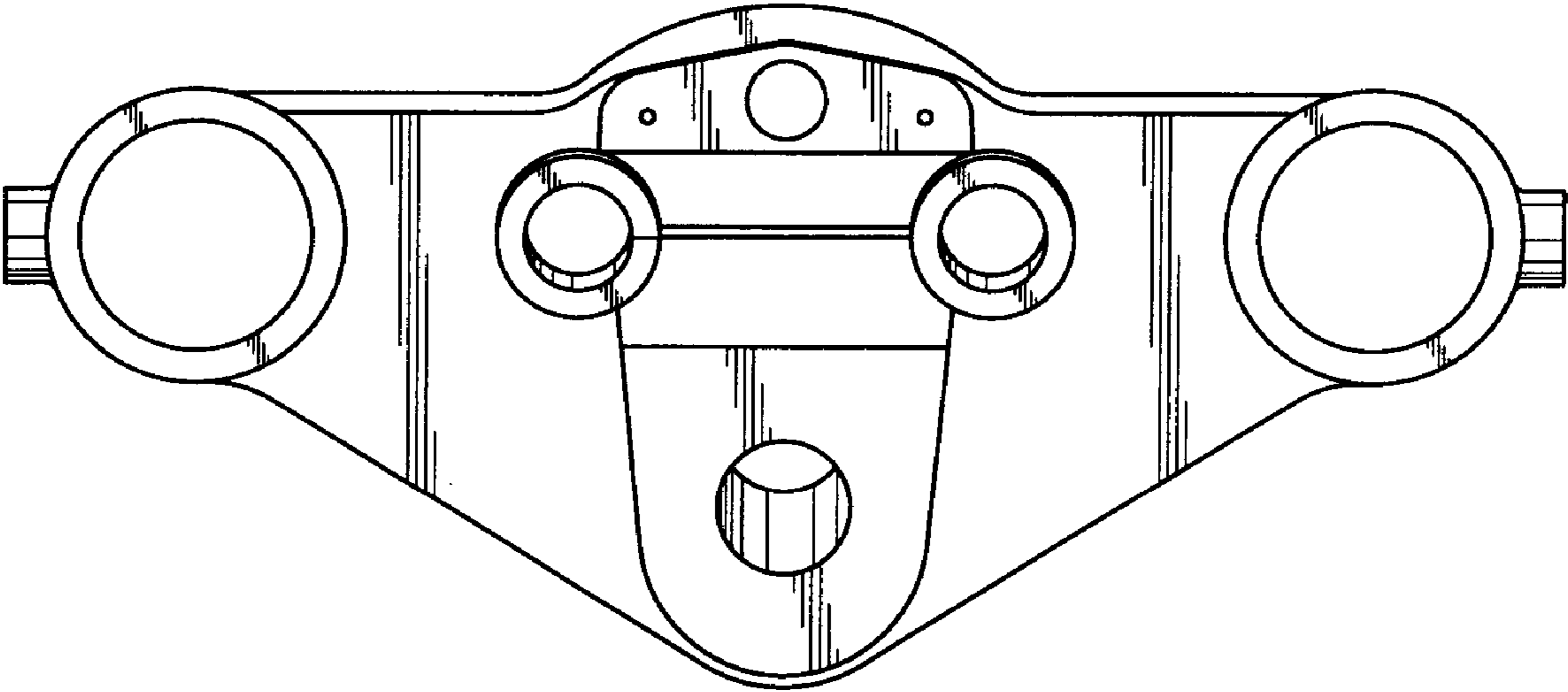
FIG. 1



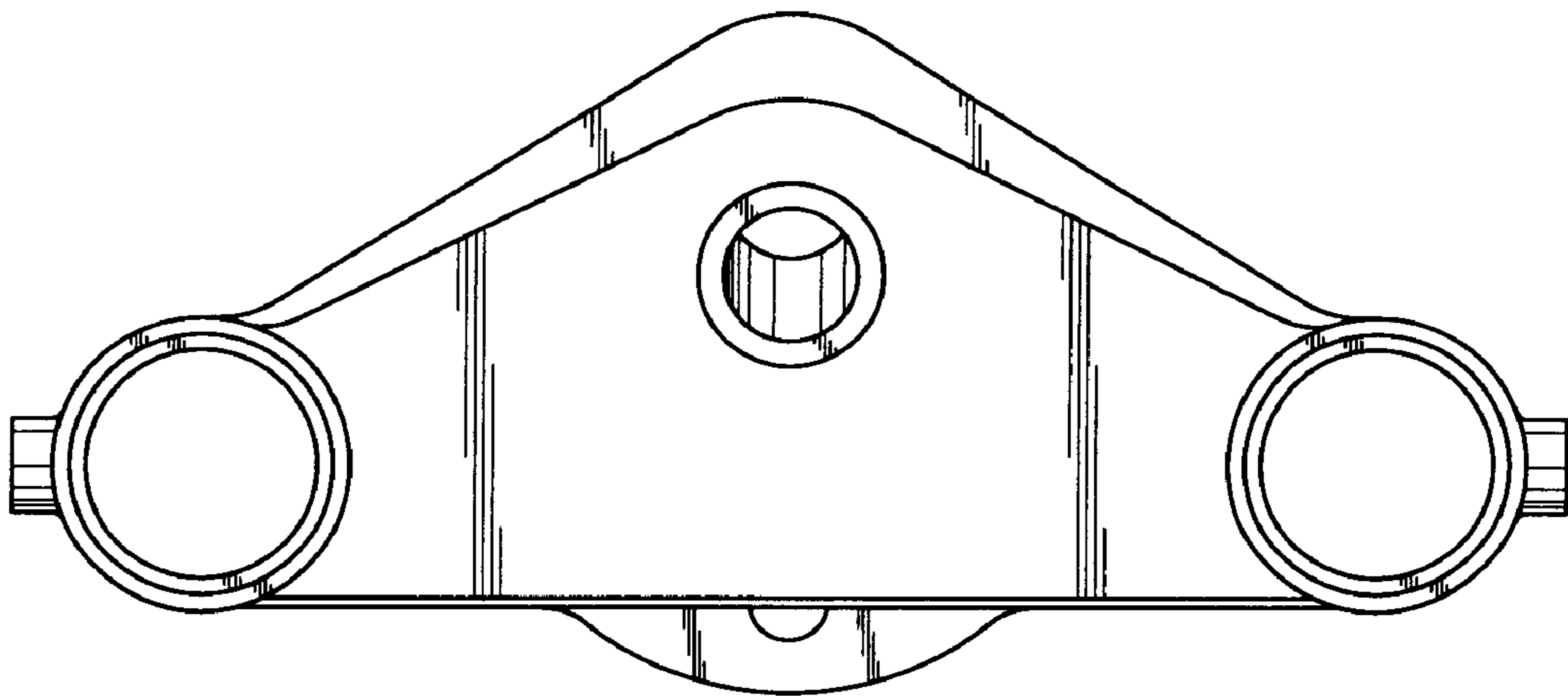
**FIG.2**



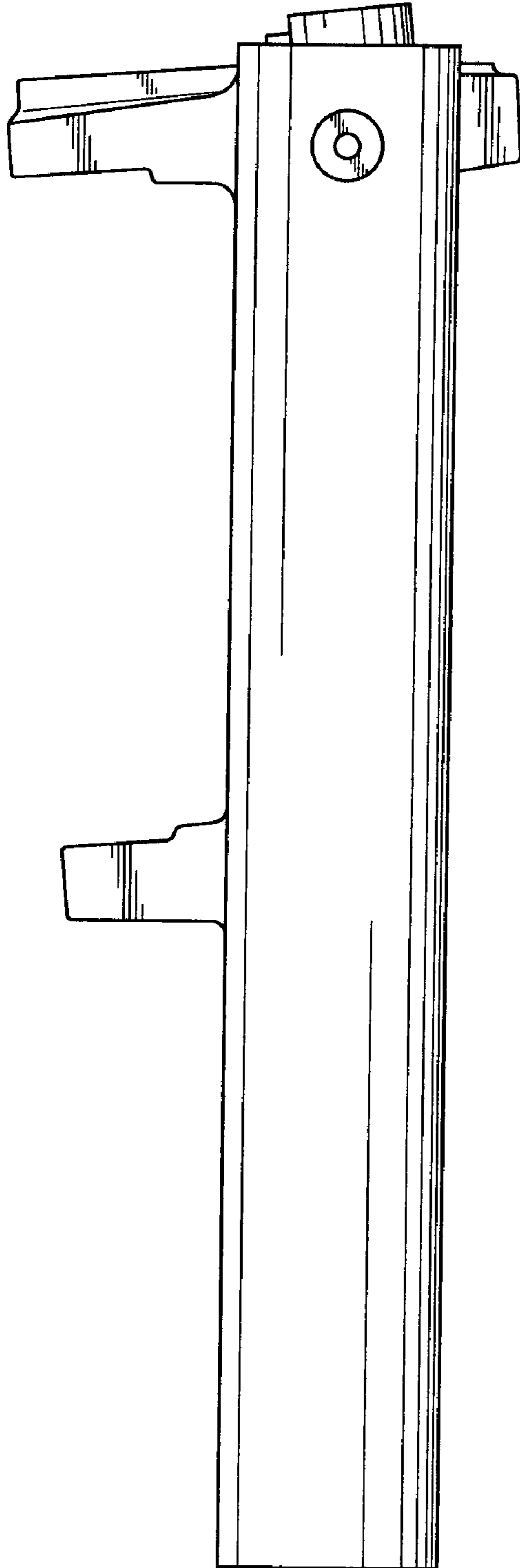
**FIG.3**



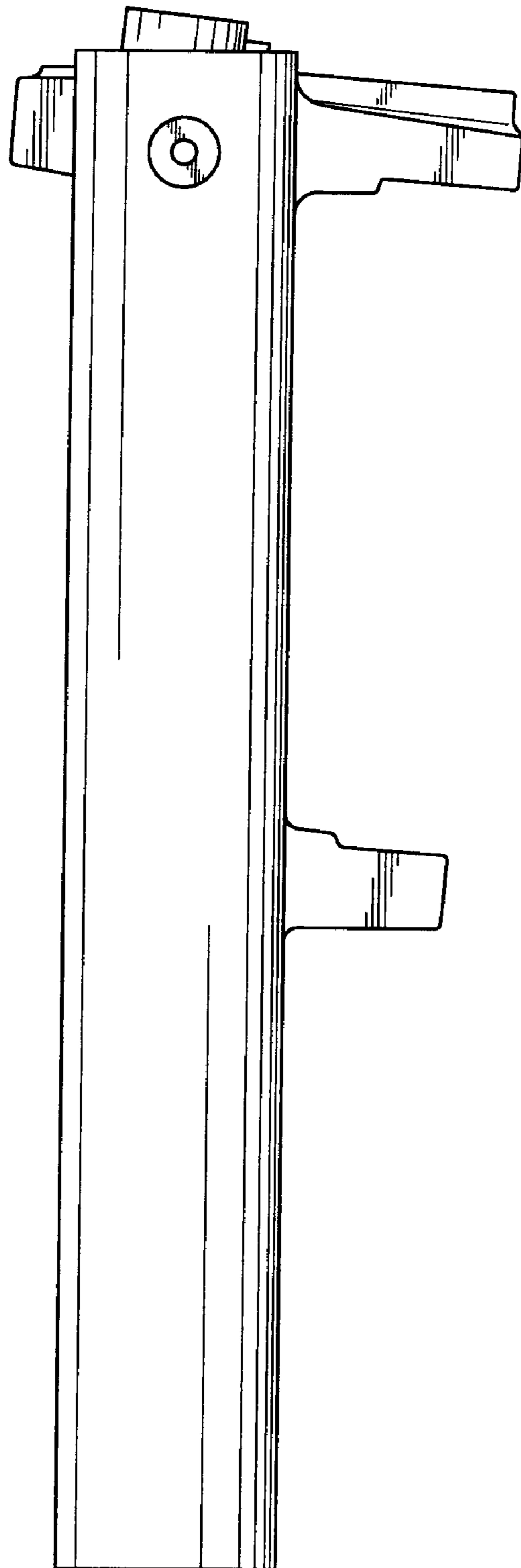
**FIG.4**



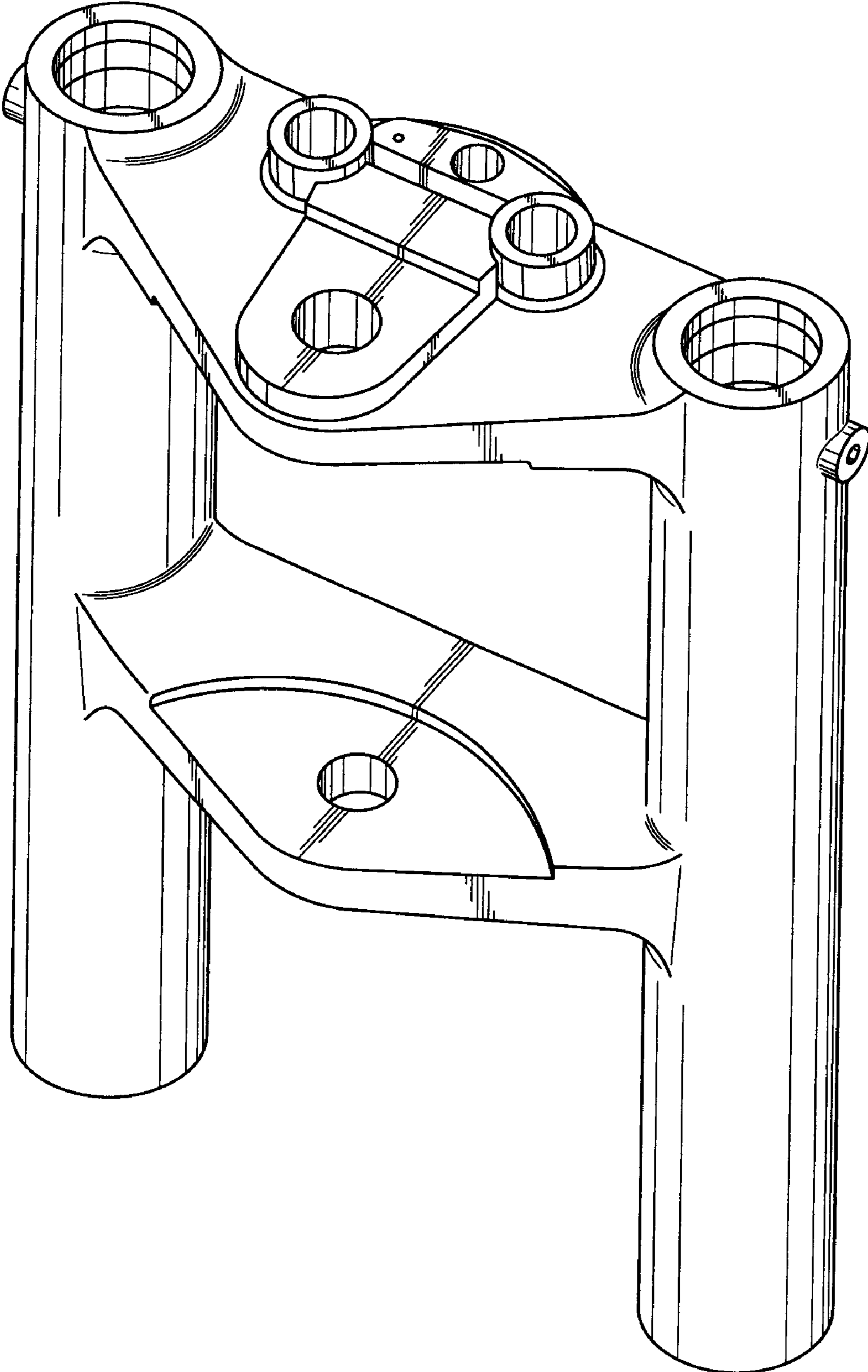
**FIG.5**



**FIG.6**



**FIG.7**





**FIG.8**

