



US00D532339S

(12) **United States Design Patent**
Hishiki

(10) **Patent No.:** **US D532,339 S**

(45) **Date of Patent:** **** Nov. 21, 2006**

(54) **FOUR-WHEELED VEHICLE**

D520,912 S * 5/2006 Knight et al. D12/107

(75) Inventor: **Hiroyuki Hishiki**, Tokyo-to (JP)

* cited by examiner

(73) Assignee: **Yamaha Hatsudoki Kabushiki Kaisha**,
Shizuoka (JP)

Primary Examiner—Alan P. Douglas

Assistant Examiner—Linda Brooks

(**) Term: **14 Years**

(74) *Attorney, Agent, or Firm*—Knobbe, Martens, Olson &
Bear LLP

(21) Appl. No.: **29/245,987**

(57) **CLAIM**

(22) Filed: **Dec. 30, 2005**

The ornamental design for a four-wheeled vehicle, as shown
and described herein.

(51) **LOC (8) Cl.** **12-11**

(52) **U.S. Cl.** **D12/107**

(58) **Field of Classification Search** D12/3,
D12/86, 87, 107, 110; 180/225, 229, 233,
180/311, 312, 315

DESCRIPTION

See application file for complete search history.

FIG. 1 is a front right perspective view of a four-wheeled
vehicle;

FIG. 2 is a right side view thereof;

FIG. 3 is a left side view thereof;

FIG. 4 is a front view thereof;

FIG. 5 is a rear view thereof;

FIG. 6 is a top plan view thereof; and,

FIG. 7 is a bottom plan view thereof.

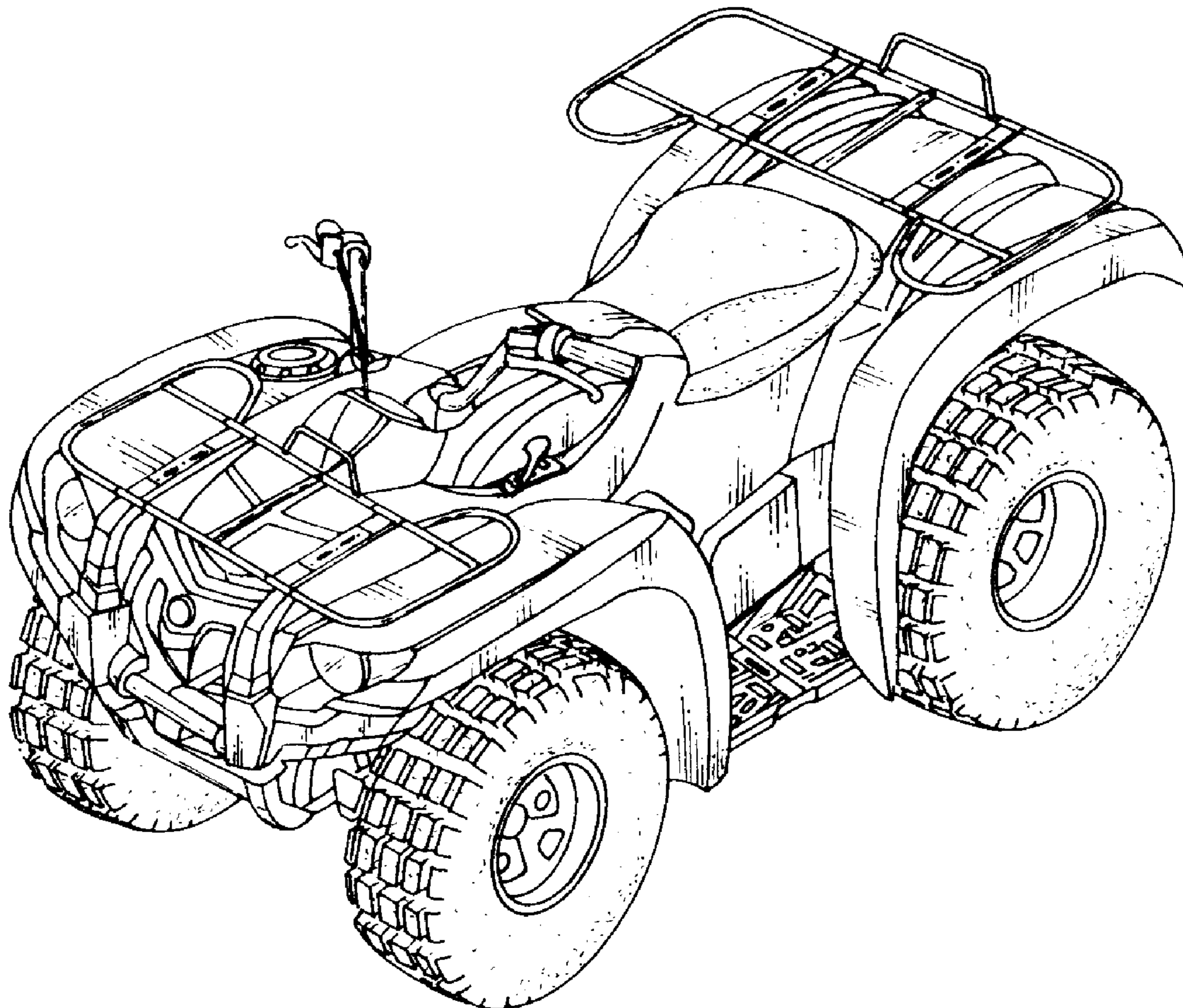
(56) **References Cited**

U.S. PATENT DOCUMENTS

D298,811 S * 12/1988 Morita D12/107

D496,308 S * 9/2004 Wu D12/107

1 Claim, 4 Drawing Sheets



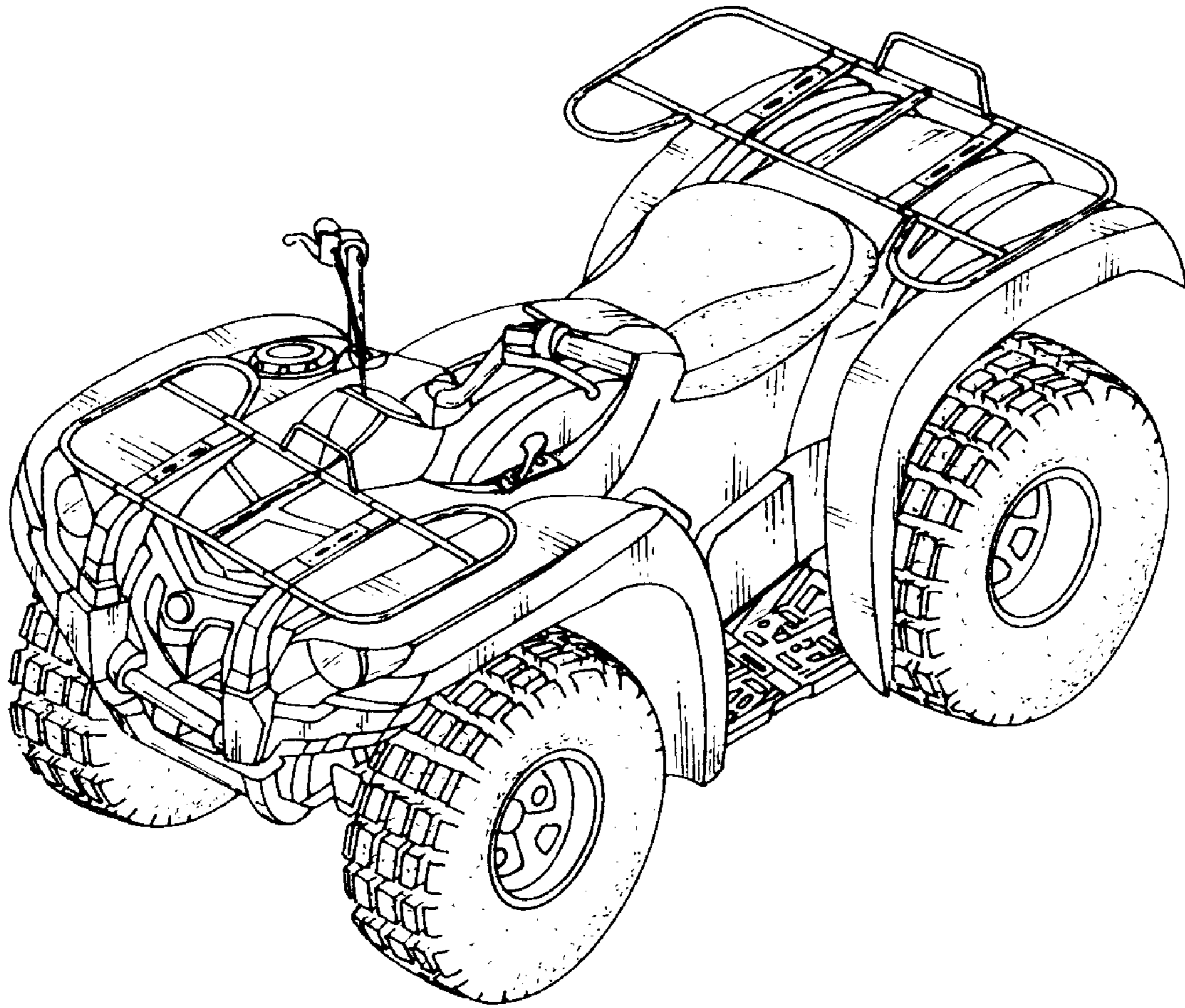


FIG. 1

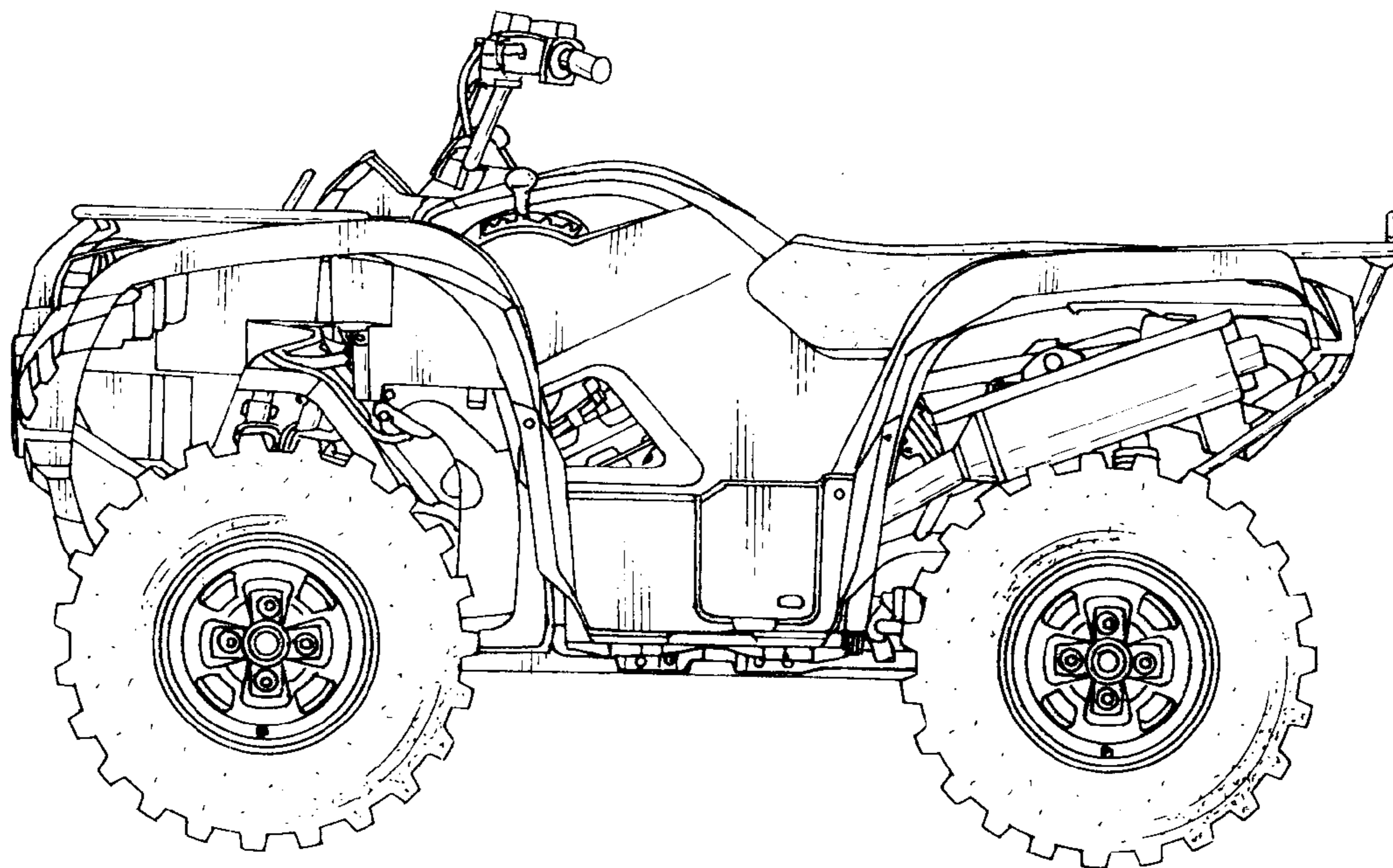


FIG. 2

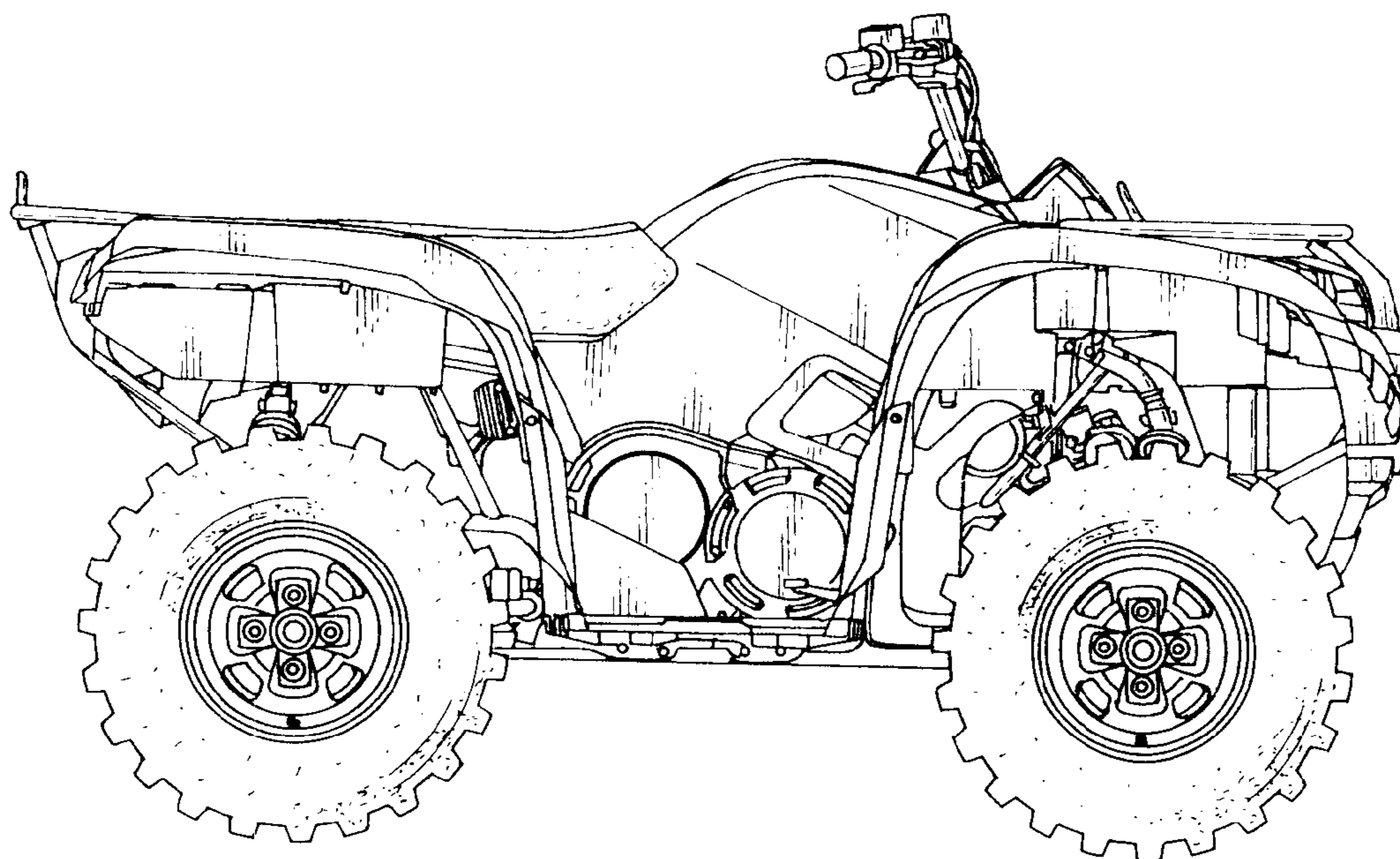


FIG. 3

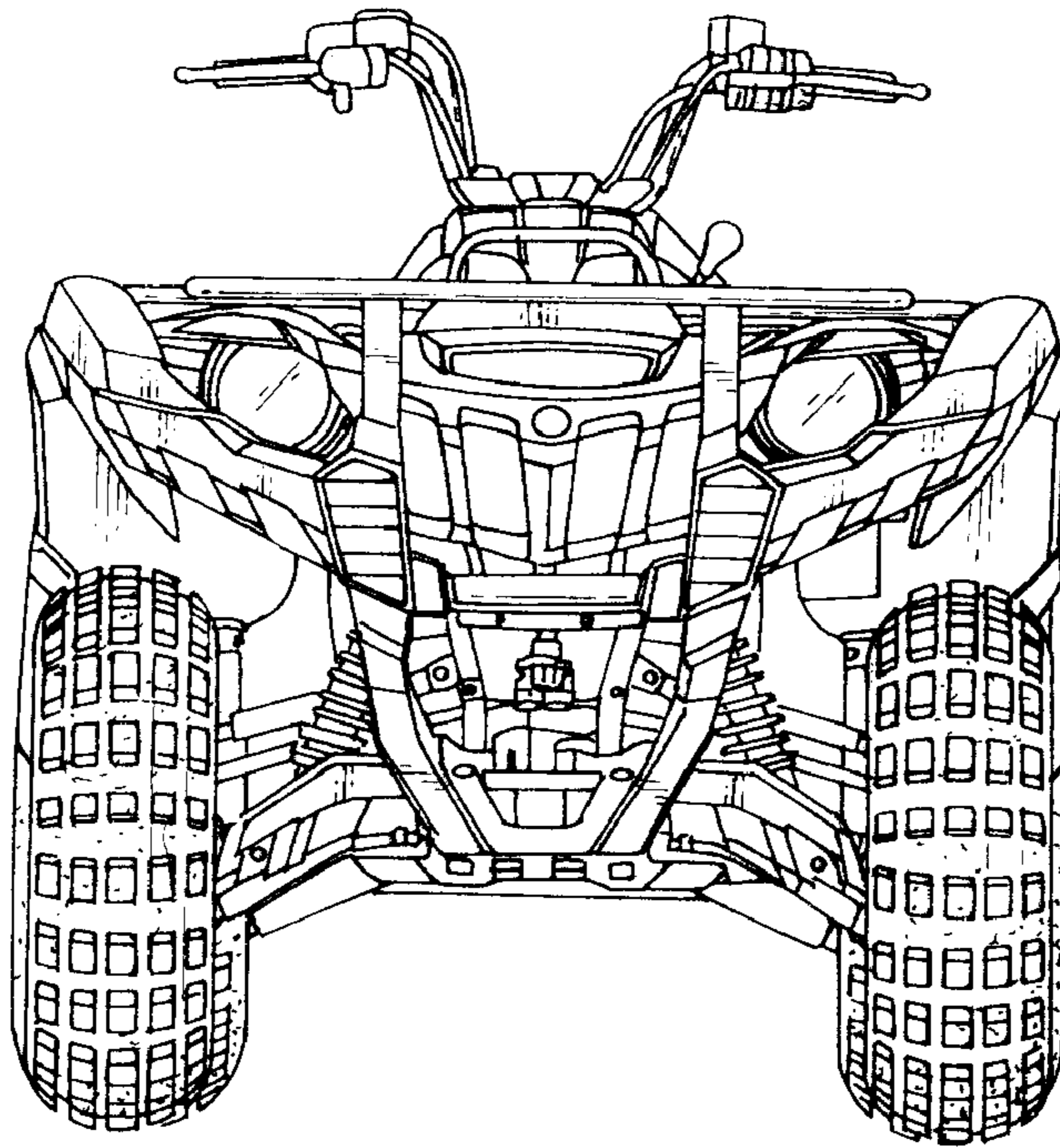


FIG. 4

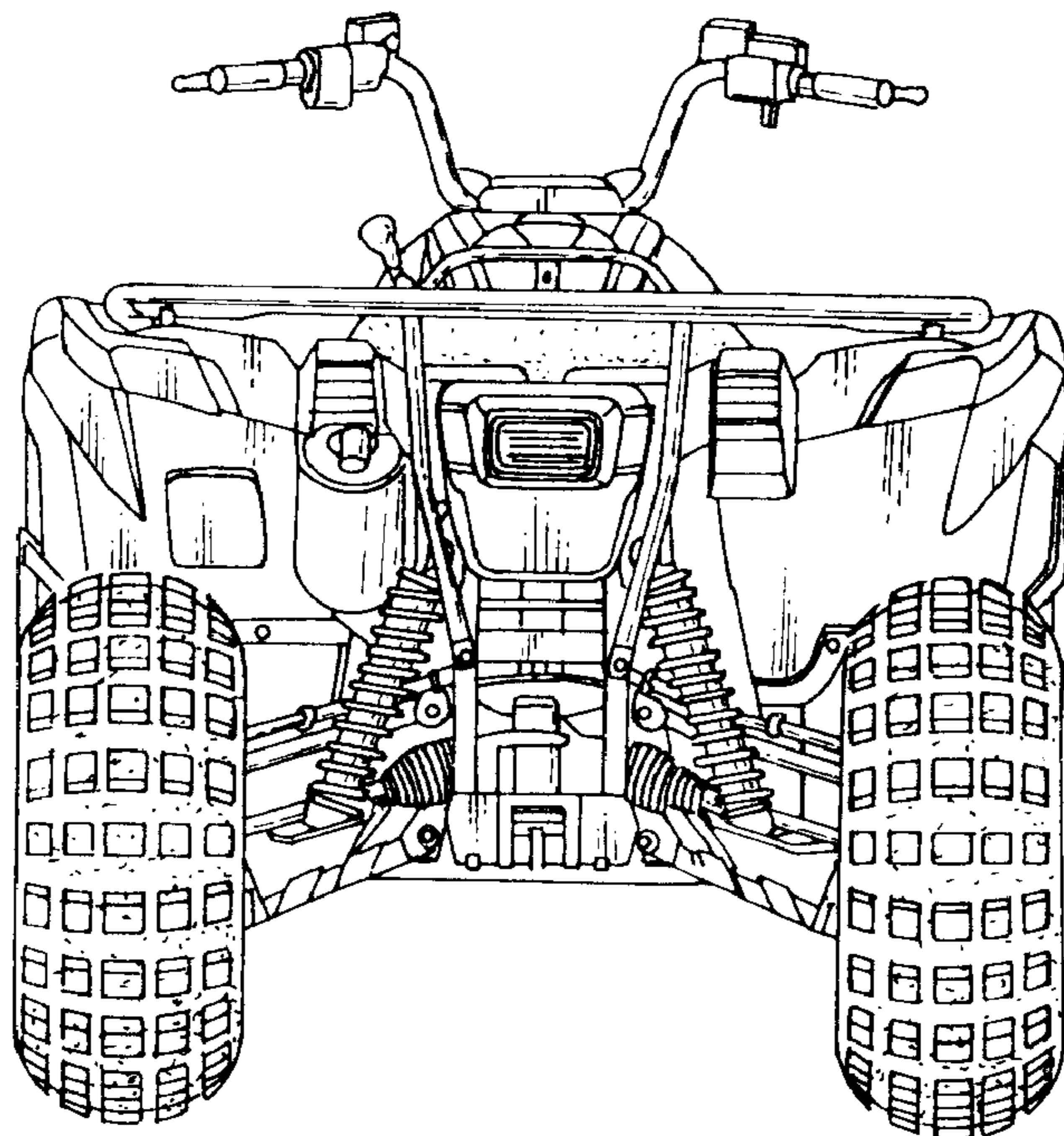


FIG. 5

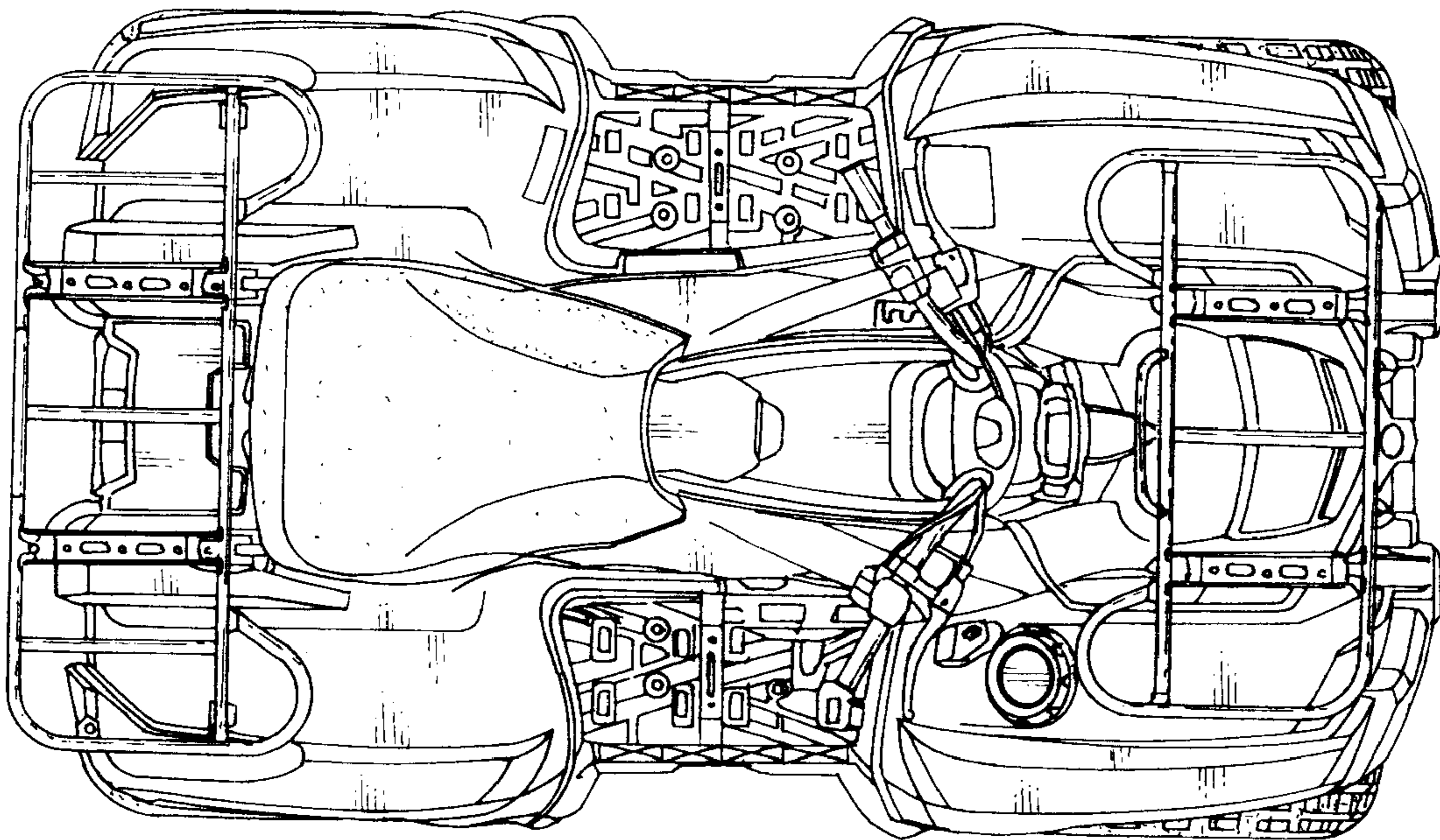


FIG. 6

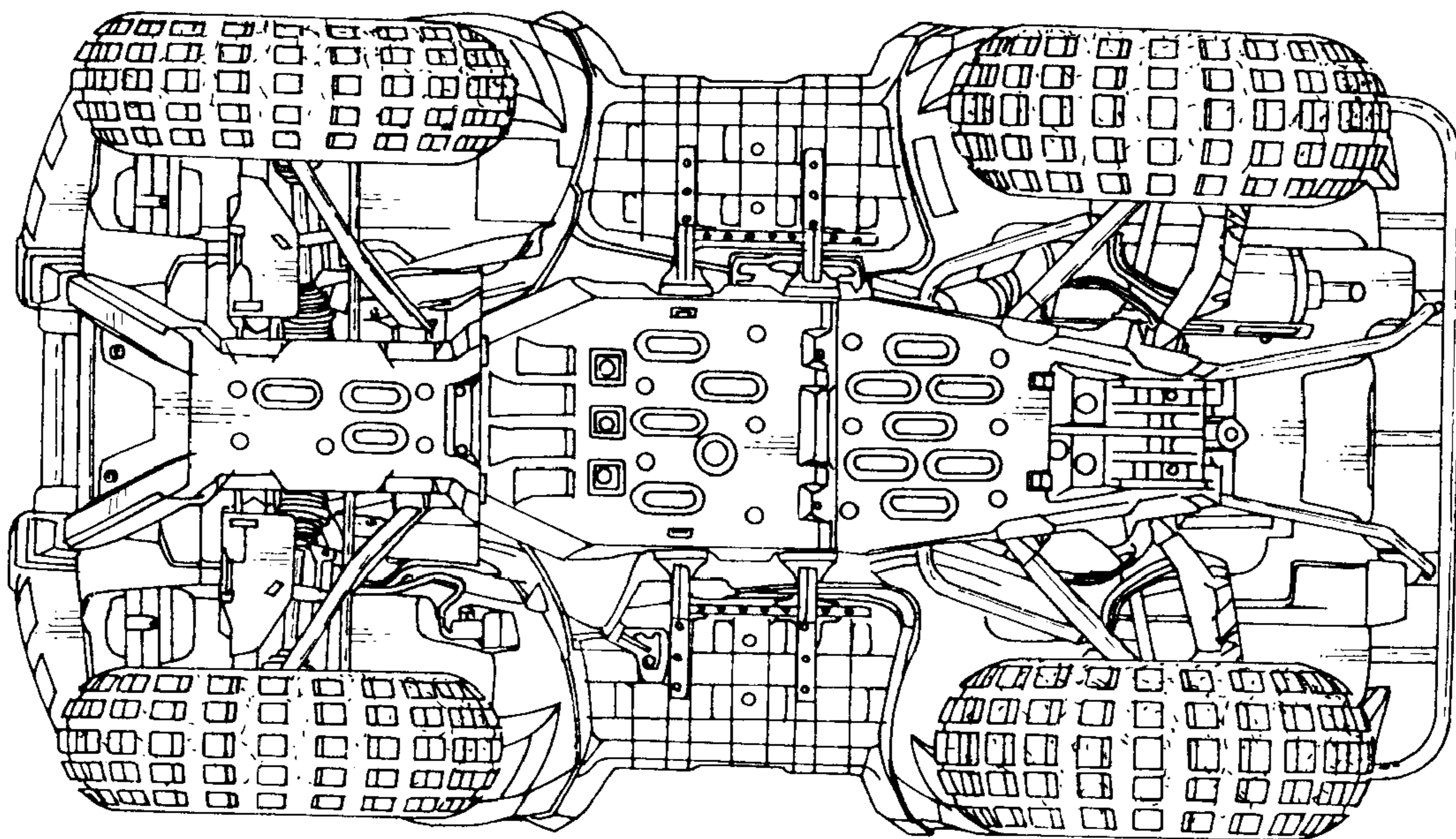


FIG. 7