



US00D532336S

(12) **United States Design Patent**
Kulik

(10) **Patent No.:** **US D532,336 S**

(45) **Date of Patent:** **** Nov. 21, 2006**

(54) **AUTOMOBILE**

D362,206 S * 9/1995 Nuosce D11/164

(76) Inventor: **Gregory Kulik**, 1035 Ash St.,
Winnetka, IL (US) 60093

* cited by examiner

Primary Examiner—Melody N. Brown

(74) *Attorney, Agent, or Firm*—Jon C. Gealow

(**) Term: **14 Years**

(57) **CLAIM**

(21) Appl. No.: **29/242,057**

The ornamental design for an automobile, as shown and described.

(22) Filed: **Nov. 4, 2005**

(51) **LOC (8) Cl.** **12-08**

DESCRIPTION

(52) **U.S. Cl.** **D12/90**

(58) **Field of Classification Search** D12/90–92,
D12/3, 5, 86; D21/424, 433; 296/181.1
See application file for complete search history.

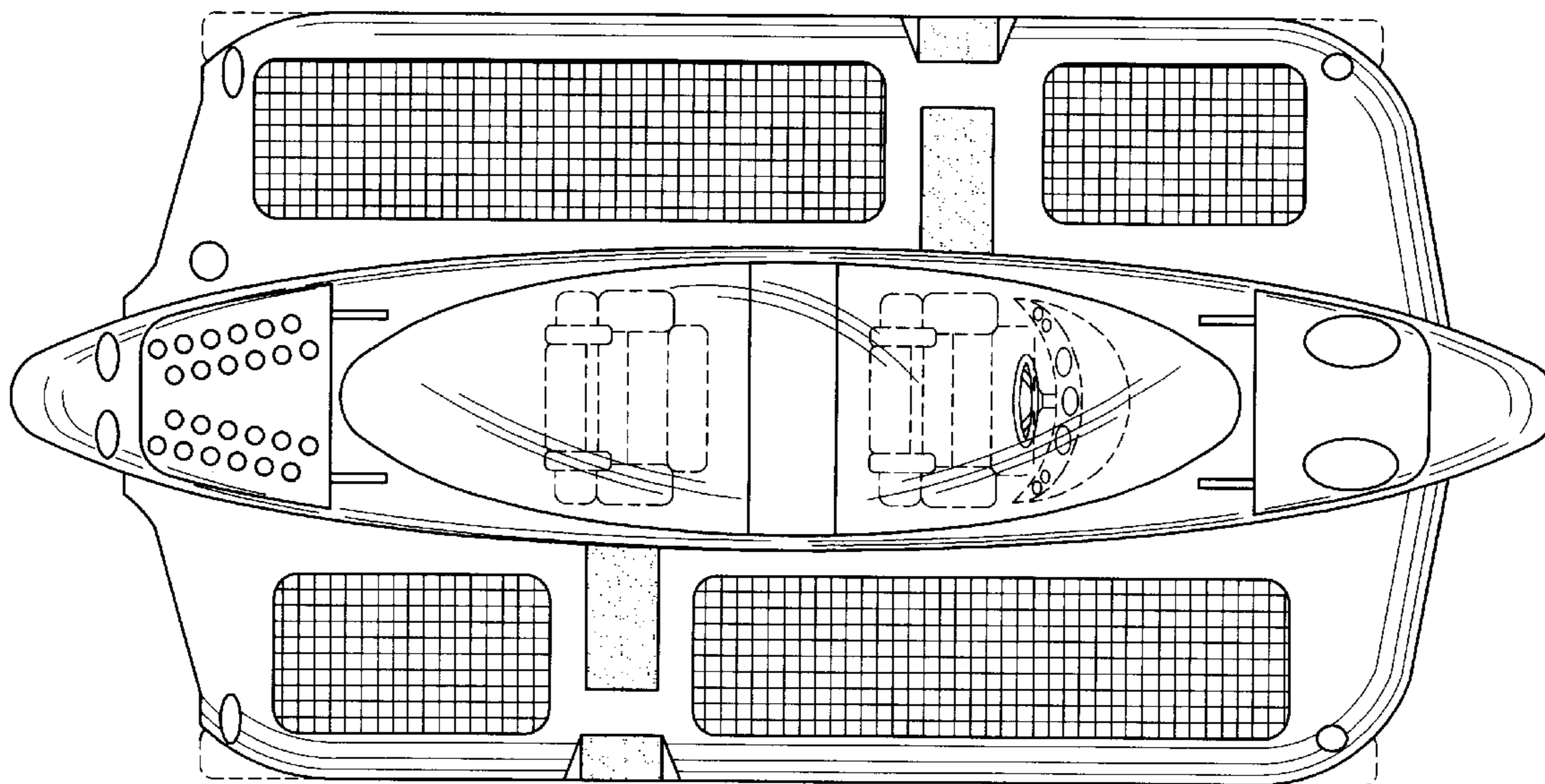
FIG. 1 is a right side plan view of an automobile showing my new design;
FIG. 2 is a left side elevation view thereof,
FIG. 3 is a top plan view of an automobile showing my new design;
FIG. 4 is a bottom plan view of an automobile showing my new design;
FIG. 5 is a front elevation view thereof; and,
FIG. 6 is a rear elevation view thereof.

(56) **References Cited**

U.S. PATENT DOCUMENTS

D296,196 S	*	6/1988	Fujimura	D12/90
D312,228 S	*	11/1990	Stollery	D12/90
D318,444 S	*	7/1991	Anzalone	D12/90
D346,768 S	*	5/1994	Phengsikeo	D12/90

1 Claim, 6 Drawing Sheets



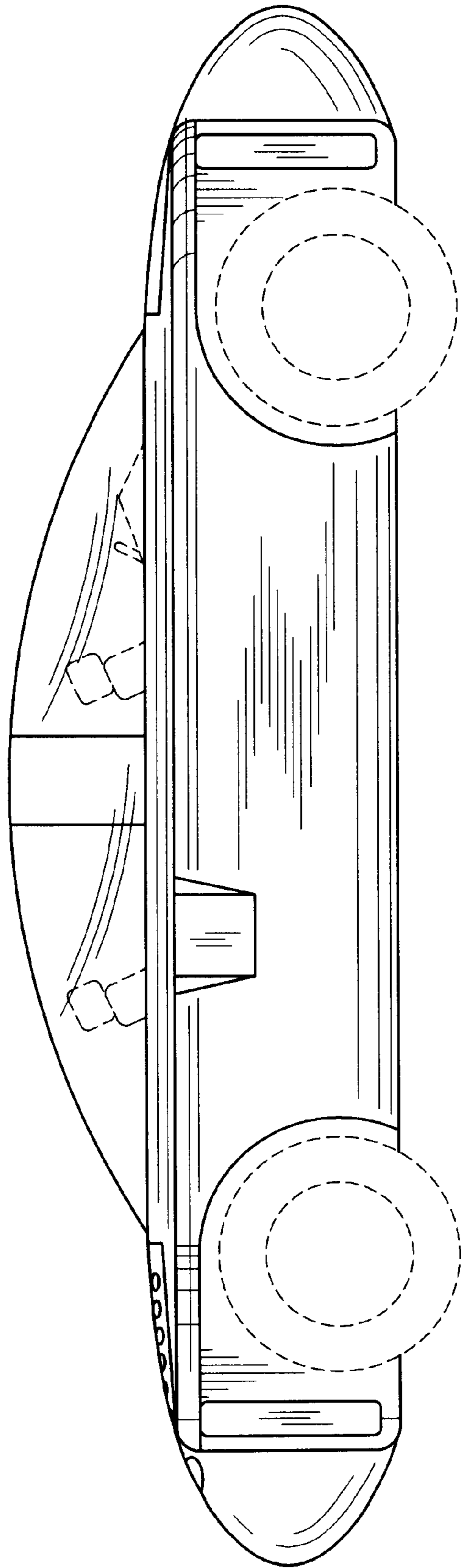


Fig. 1

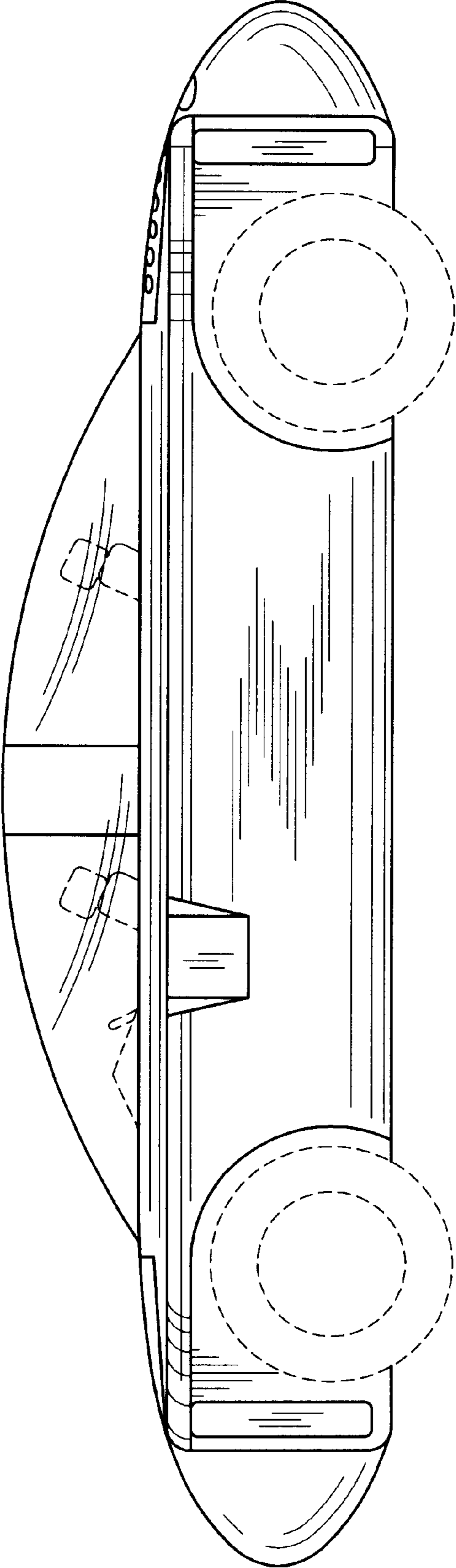


Fig. 2

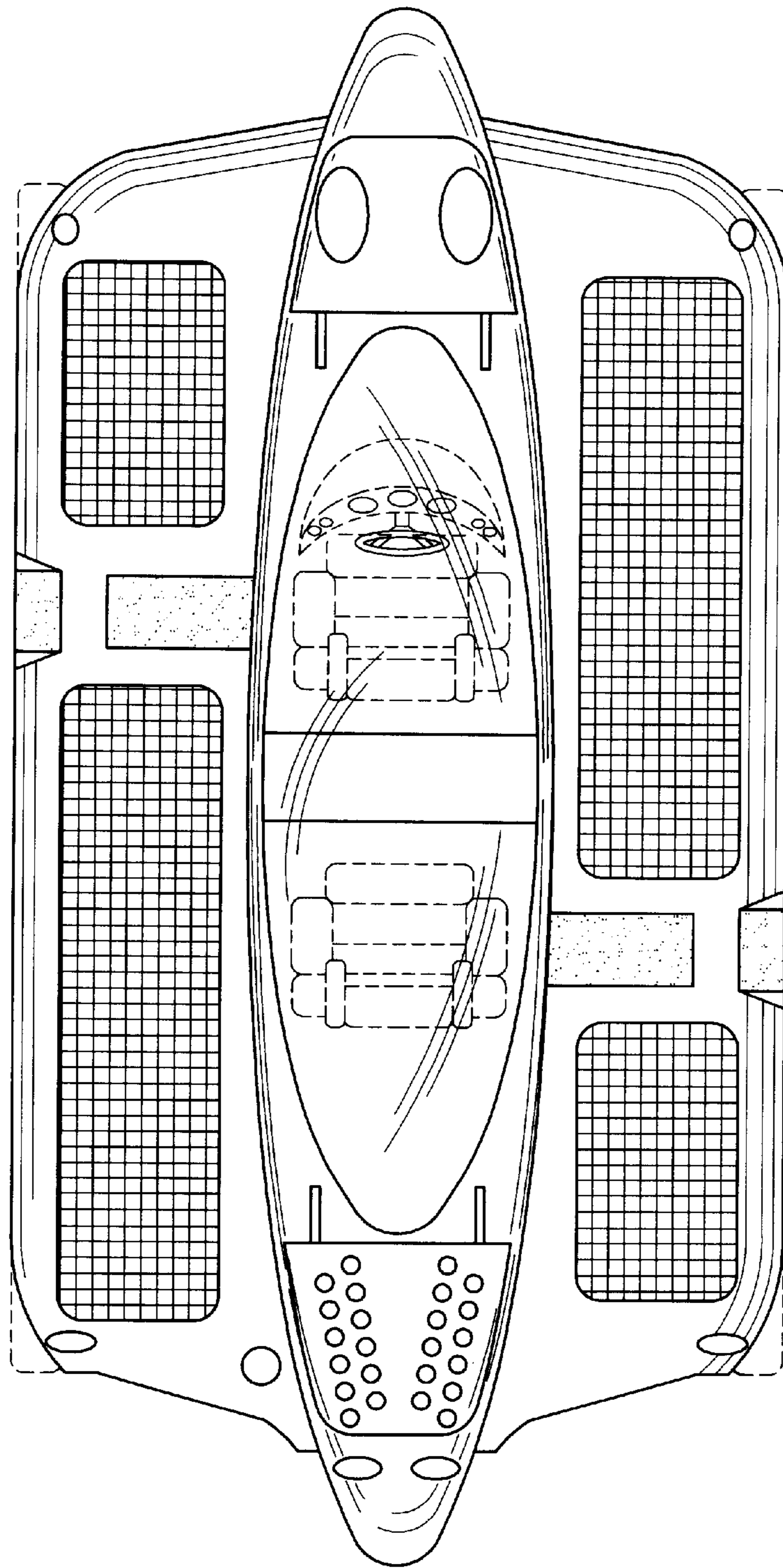


Fig. 3

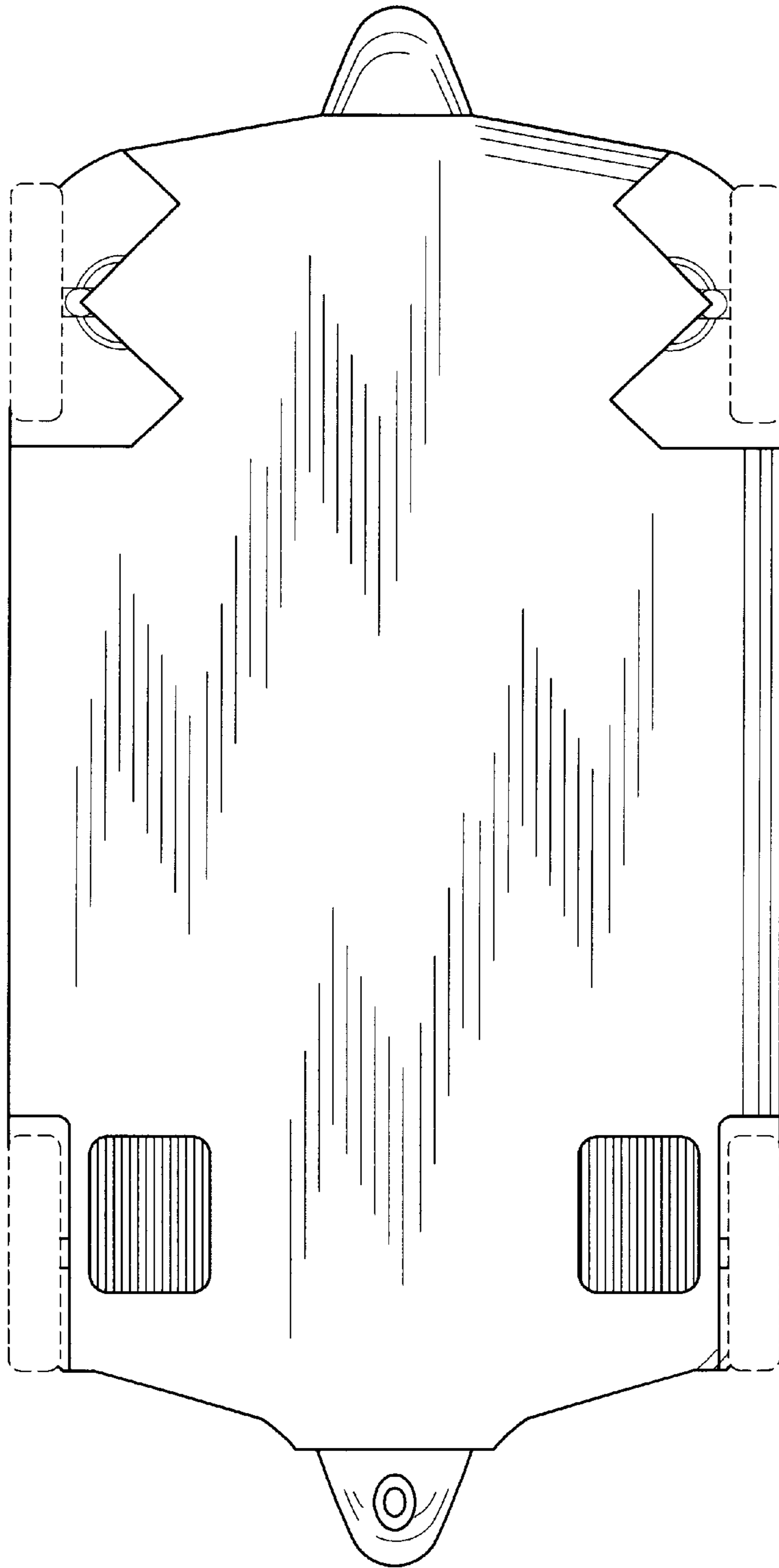


Fig. 4

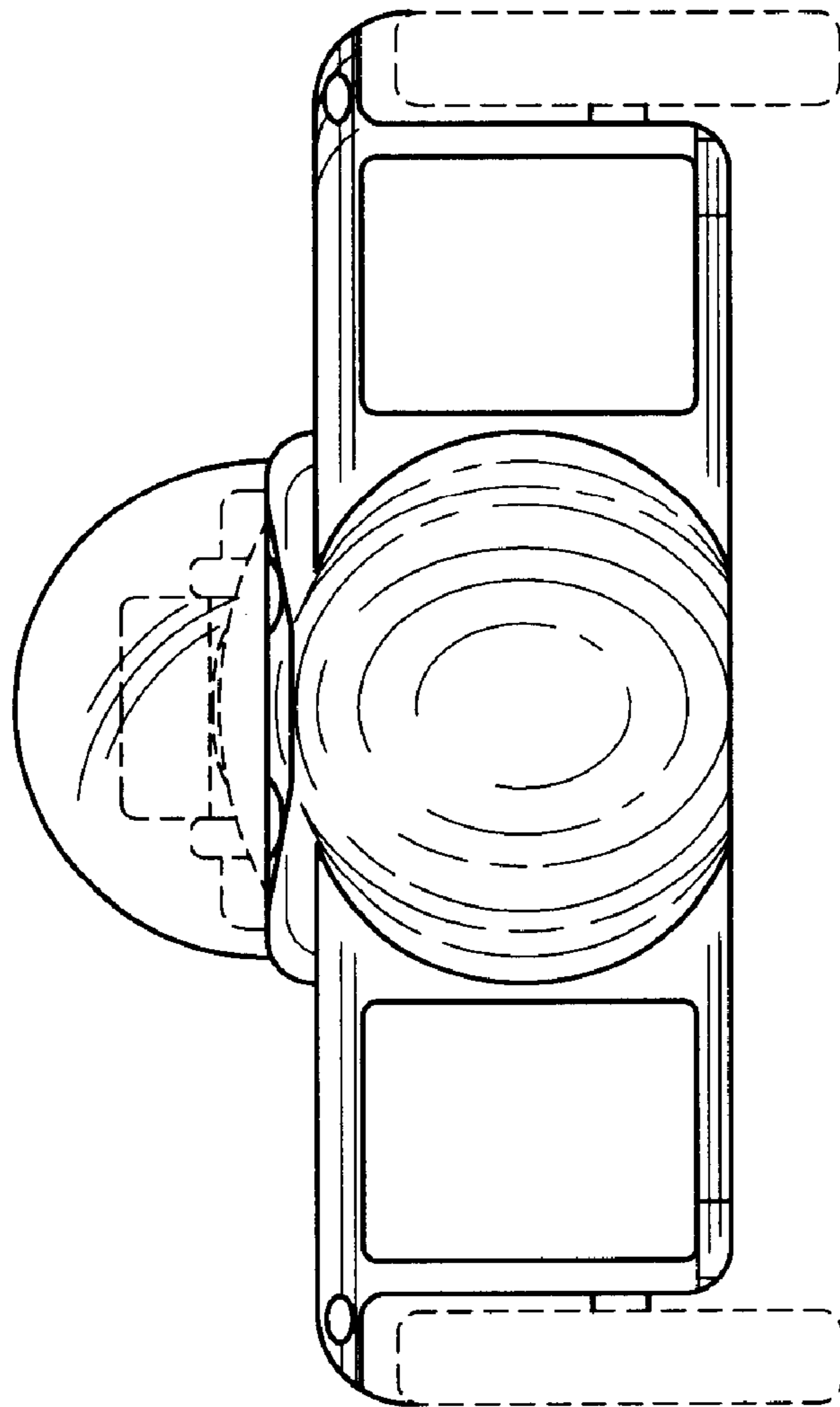


Fig. 5

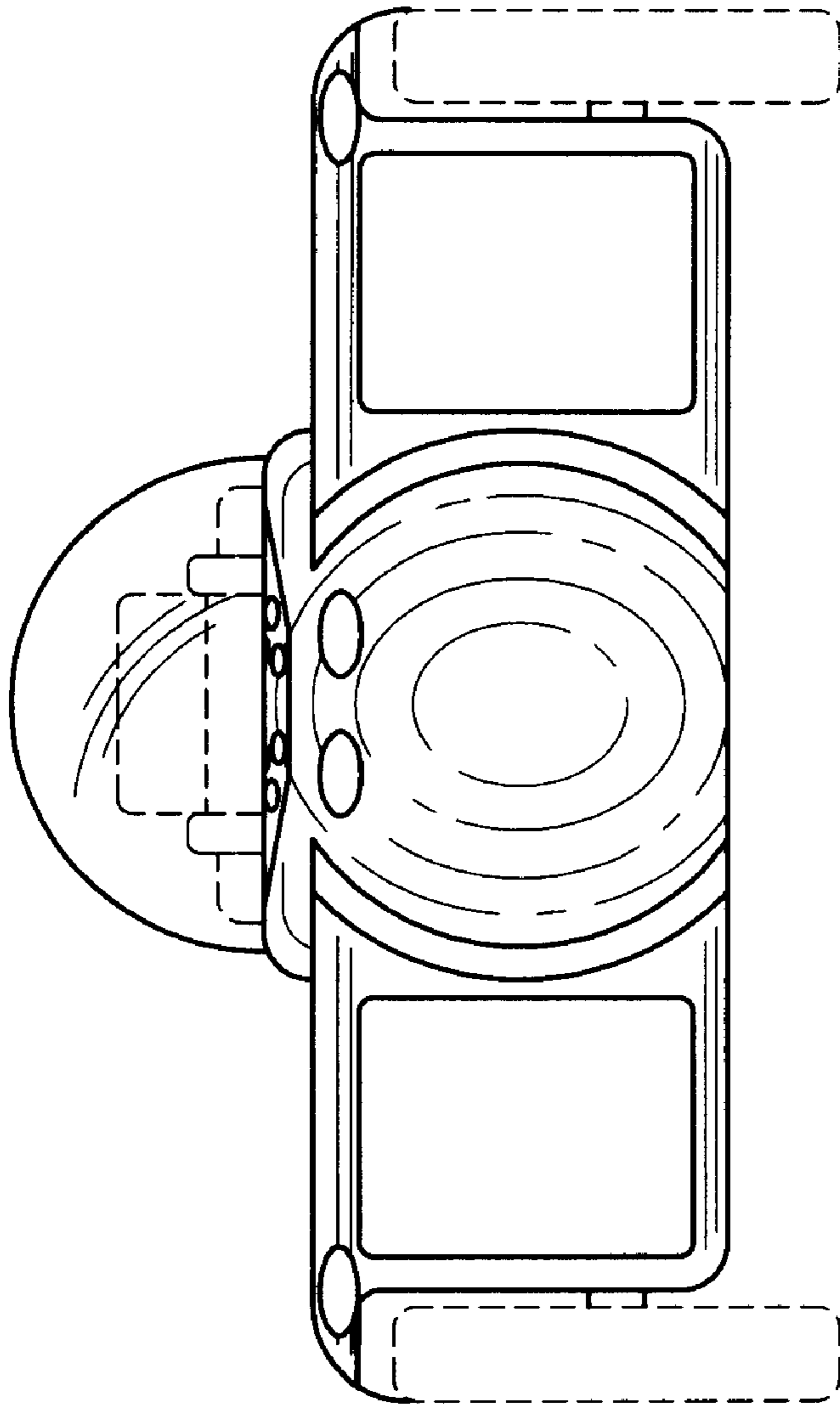


Fig. 6