



US00D532334S

(12) **United States Design Patent**  
**Smith**

(10) **Patent No.:** **US D532,334 S**

(45) **Date of Patent:** **\*\* Nov. 21, 2006**

(54) **PHOTOGRAPH HOLDING POT PLANTER**

(76) Inventor: **Julie Smith**, 308 W. 32<sup>nd</sup> St., Houston,  
TX (US) 77018

(\*\*) Term: **14 Years**

(21) Appl. No.: **29/230,618**

(22) Filed: **May 24, 2005**

(51) **LOC (8) Cl.** ..... **11-02**

(52) **U.S. Cl.** ..... **D11/144; D6/303**

(58) **Field of Classification Search** ..... D11/117,  
D11/130, 143-149, 151-155; D6/300, 303,  
D6/306, 310, 556-558, 565; D7/503, 507,  
D7/509, 527, 528, 586, 587, 603; D9/516,  
D9/549, 557-560; D19/75, 77, 81, 84, 85;  
D26/9, 11, 22; 215/6, 379, 382, 387; 220/23.2,  
220/23.4, 23.83, 568, 574; 47/41.1, 65.5,  
47/66.1, 66.6, 66.7, 67, 69, 79, 81

See application file for complete search history.

(56) **References Cited**

**U.S. PATENT DOCUMENTS**

- 499,148 A \* 6/1893 Schellhorn ..... 47/65.5
- 941,448 A \* 11/1909 Haglund ..... 47/67
- D172,325 S \* 6/1954 Adler ..... D6/300
- 2,700,847 A \* 2/1955 Brasol ..... D11/152
- 4,143,191 A \* 3/1979 Chavis ..... 47/69
- D267,557 S \* 1/1983 Resnick ..... D11/144
- D288,630 S \* 3/1987 Haugen ..... D6/300
- D303,360 S \* 9/1989 Levine ..... D11/144
- 5,020,274 A \* 6/1991 Wong ..... 47/67
- 5,207,019 A \* 5/1993 Massey et al. .... 47/67

- D335,963 S \* 6/1993 Tracey ..... D6/310
- D366,107 S \* 1/1996 Shaffer ..... D6/300
- 5,509,232 A \* 4/1996 Laubsch ..... 47/79
- 5,870,856 A 2/1999 Friend
- 6,003,824 A \* 12/1999 Peterson et al. .... 47/67
- D468,967 S \* 1/2003 Lipson ..... D7/507
- 6,564,490 B1 5/2003 Avila
- 6,665,980 B1 \* 12/2003 Laske, Jr. .... 47/66.6
- D489,642 S \* 5/2004 Brumlow ..... D11/143
- D491,486 S \* 6/2004 Bonilla ..... D11/144
- 2003/0188479 A1 \* 10/2003 Weder ..... 47/66.7

\* cited by examiner

*Primary Examiner*—Caron D. Veynar  
*Assistant Examiner*—Garth Rademaker  
(74) *Attorney, Agent, or Firm*—Park & Associates, PC

(57) **CLAIM**

The ornamental design for photograph holding pot planter,  
as shown and described.

**DESCRIPTION**

FIG. 1 is a perspective view of a photograph holding pot  
planter showing my new design.

FIG. 2 is a front elevation view thereof.

FIG. 3 is a left side elevation view thereof.

FIG. 4 is a right side elevation view thereof.

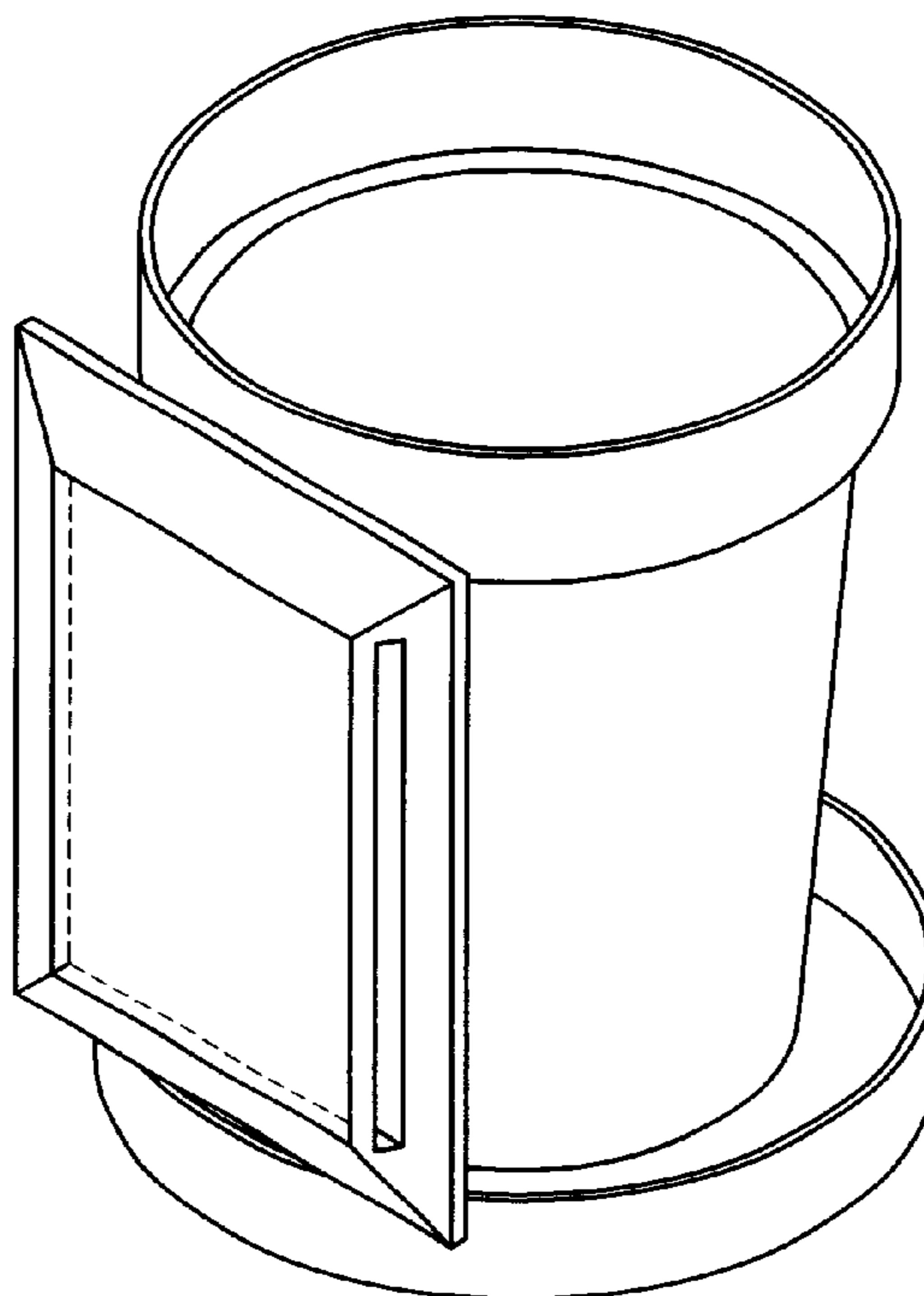
FIG. 5 is a rear elevation view thereof.

FIG. 6 is a top plan view thereof; and,

FIG. 7 is a bottom plan view thereof.

The broken line showing in FIG. 2 is for illustrative pur-  
poses only and forms no part of the claimed design.

**1 Claim, 2 Drawing Sheets**



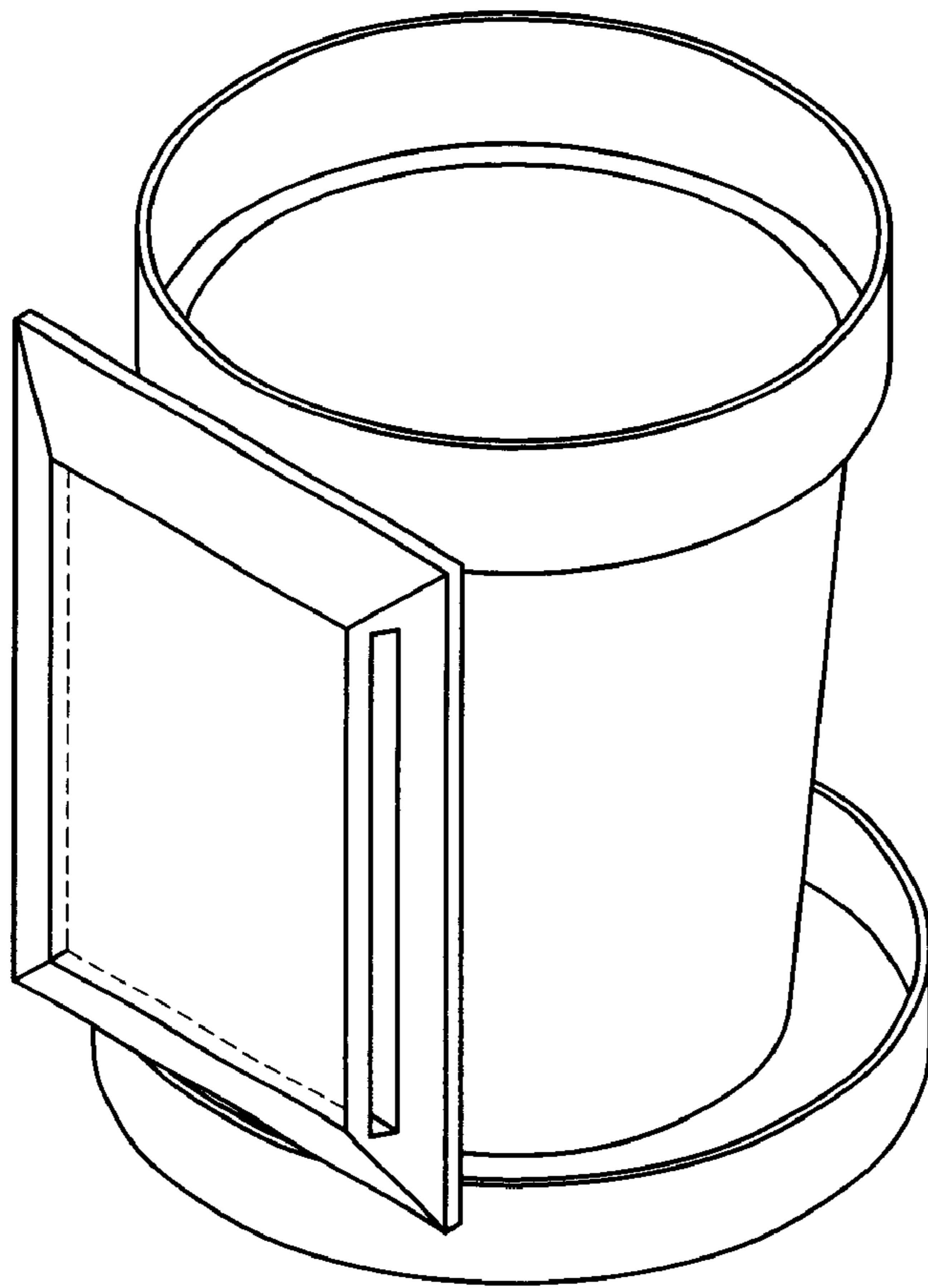


Fig. 1

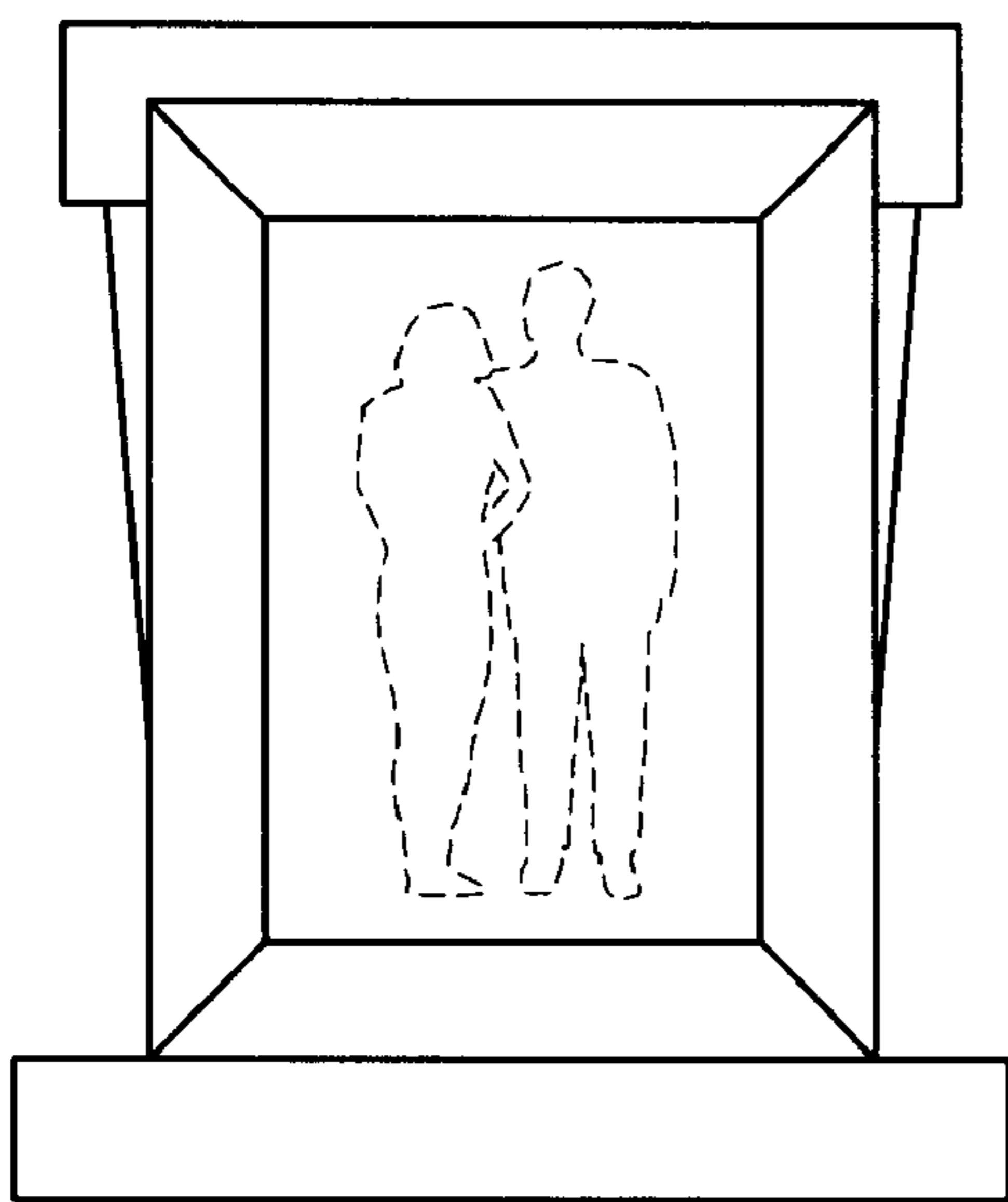


Fig. 2

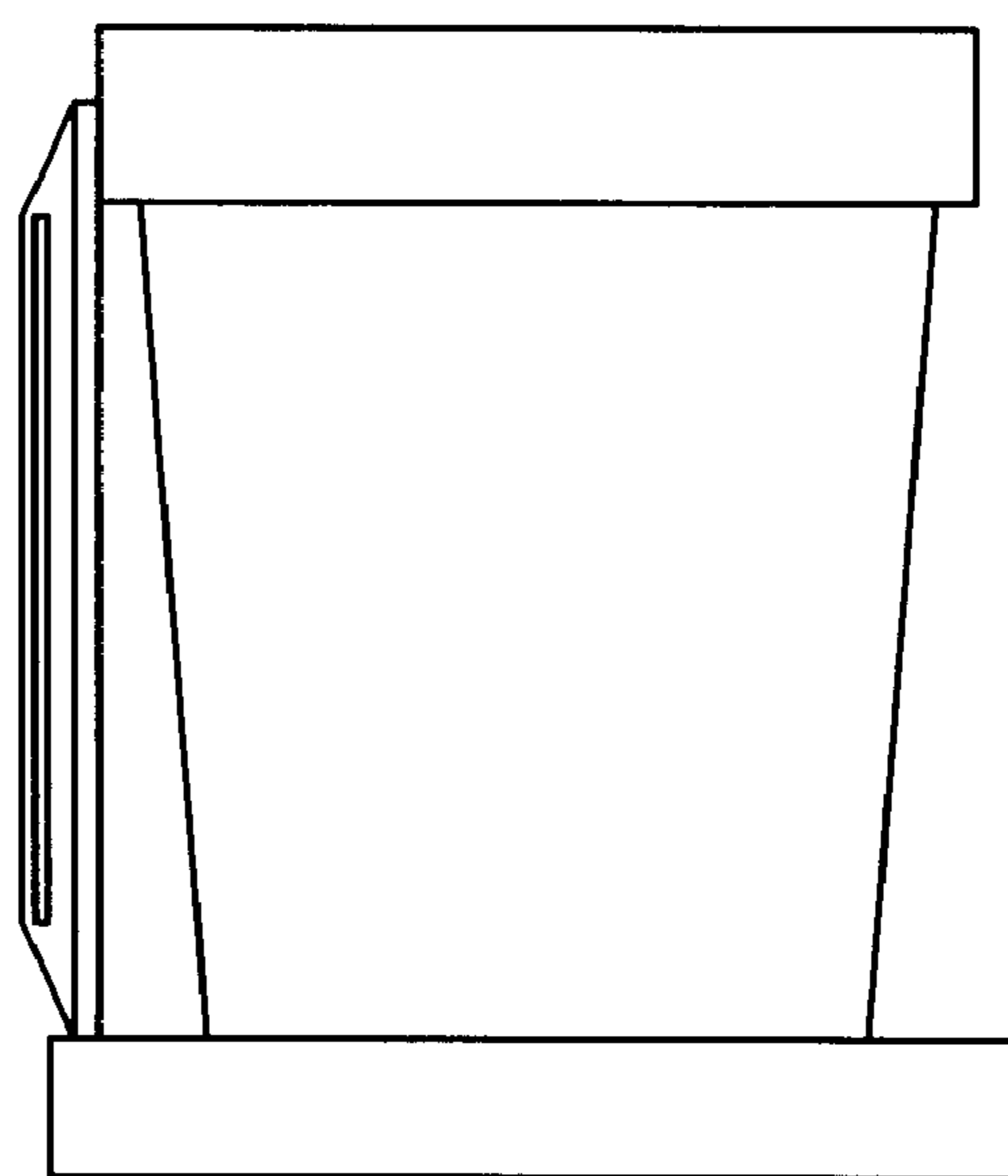


Fig. 3

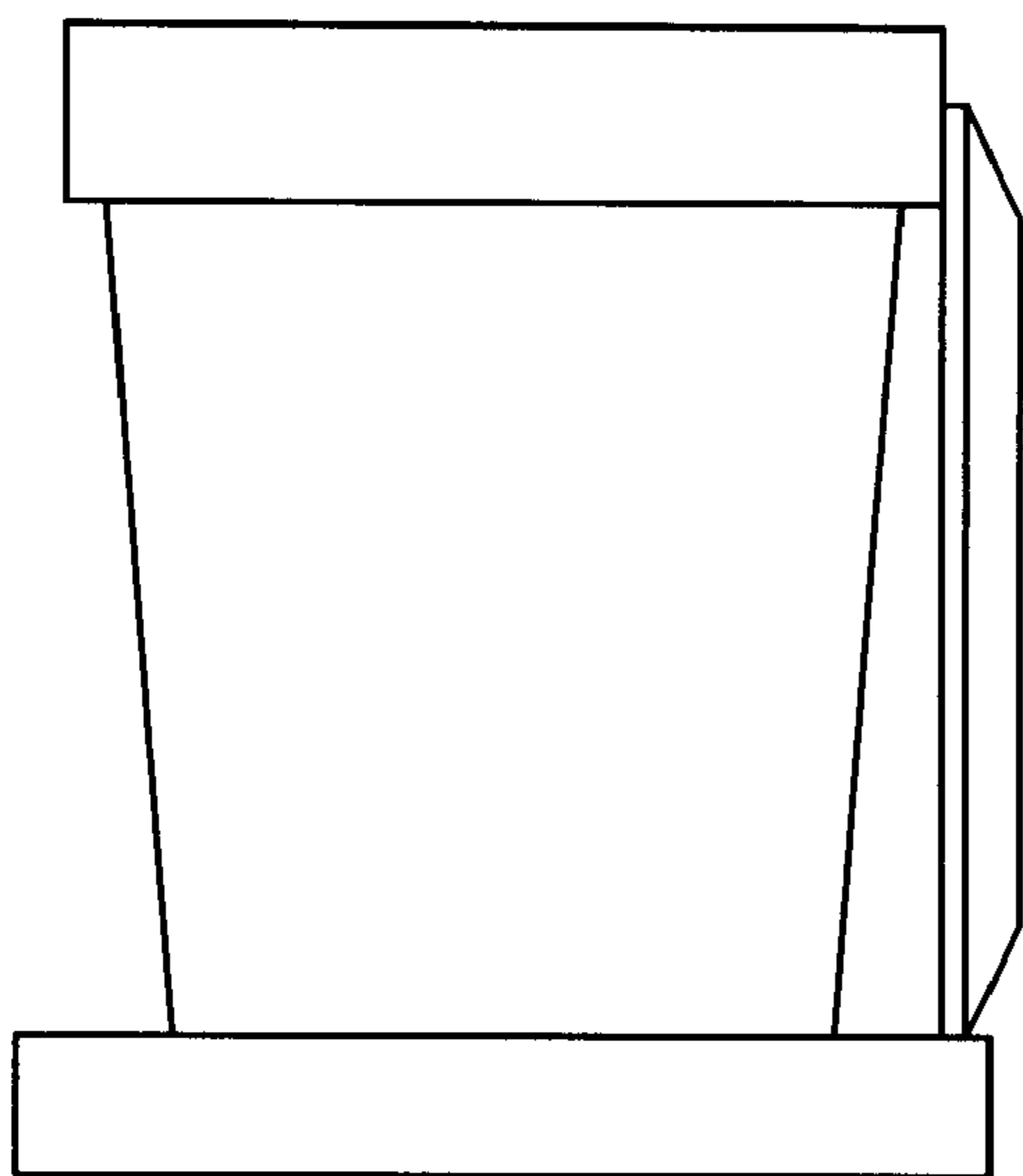


Fig. 4

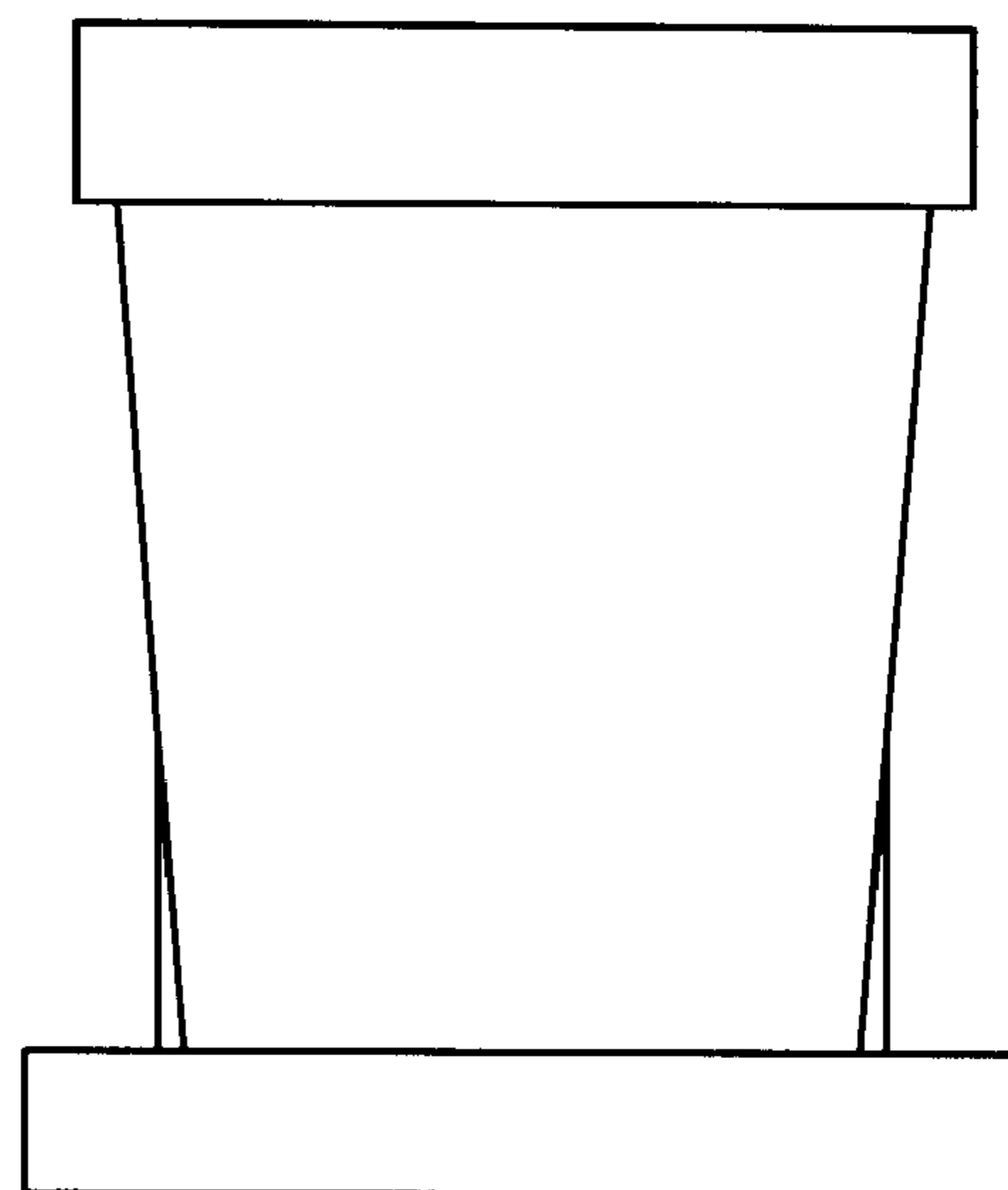


Fig. 5

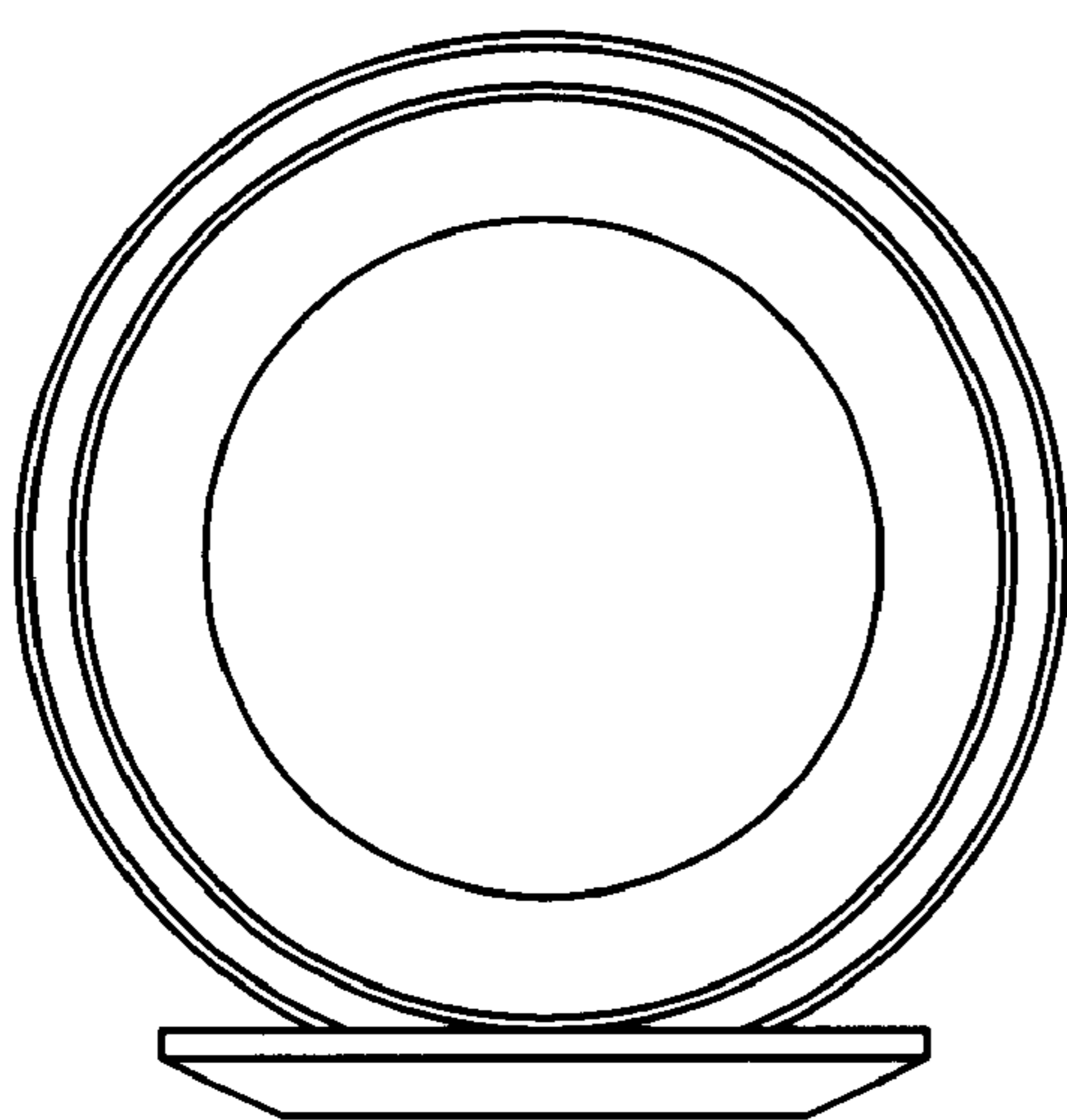


Fig. 6

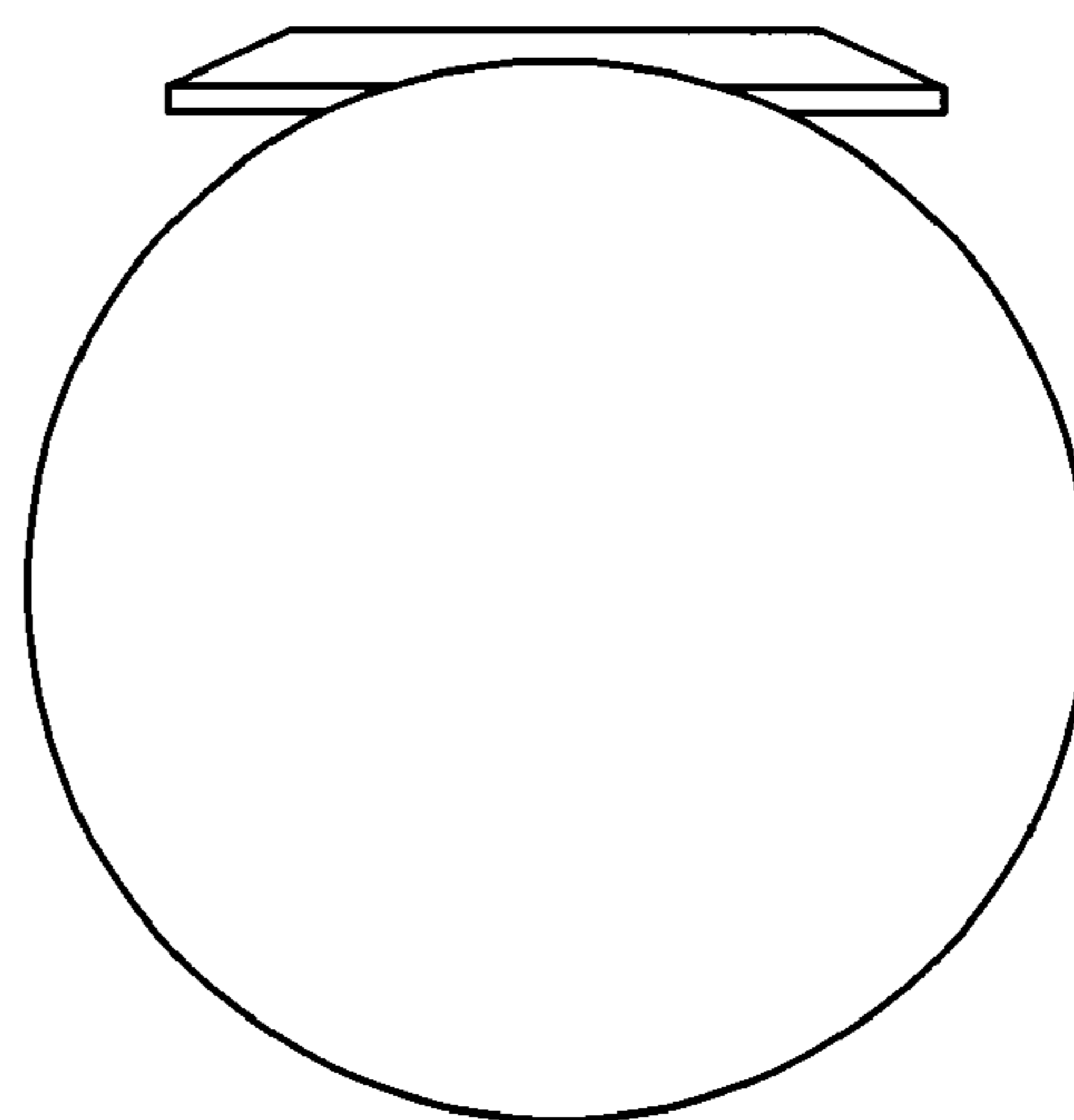


Fig. 7