



US00D532330S

(12) **United States Design Patent**
Nakade

(10) **Patent No.:** **US D532,330 S**

(45) **Date of Patent:** **** Nov. 21, 2006**

(54) **REFLECTOR FOR A BICYCLE**

(75) Inventor: **Hiroshi Nakade**, Osaka (JP)

(73) Assignee: **Cateye Co., Ltd.**, Osaka (JP)

(**) Term: **14 Years**

(21) Appl. No.: **29/253,451**

(22) Filed: **Feb. 7, 2006**

(30) **Foreign Application Priority Data**

Dec. 7, 2005 (JP) 2005-036098

(51) **LOC (8) Cl.** **10-05**

(52) **U.S. Cl.** **D10/111**

(58) **Field of Classification Search** D10/109-114,
D10/121; D12/111, 114; 116/28 R, 35 A,
116/53, 63 R, 63 P; 359/520-524, 548-550;
D26/28, 29

See application file for complete search history.

(56) **References Cited**

U.S. PATENT DOCUMENTS

D312,589 S * 12/1990 Kagayama D10/111

* cited by examiner

Primary Examiner—Freda Nunn

Assistant Examiner—Linda Brooks

(74) *Attorney, Agent, or Firm*—Olson & Hierl, Ltd.

(57) **CLAIM**

The ornamental design for a reflector for a bicycle, as shown.

DESCRIPTION

FIG. 1 is a perspective view of a reflector for a bicycle showing my new design;

FIG. 2 is a front view thereof;

FIG. 3 is a rear view thereof;

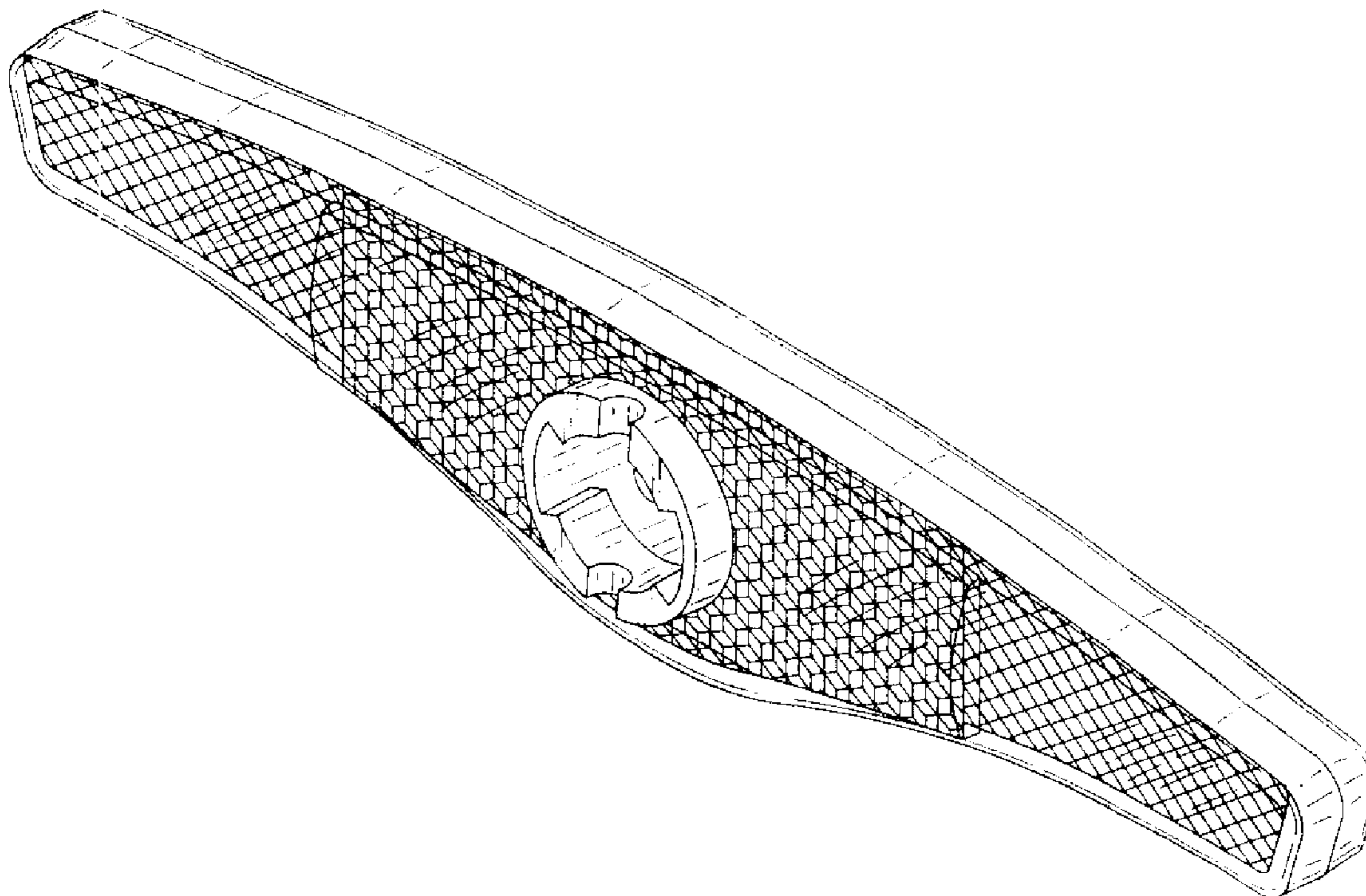
FIG. 4 is a top plan view thereof;

FIG. 5 is a bottom plan view thereof;

FIG. 6 is a right side view thereof; and,

FIG. 7 is a left side view thereof.

1 Claim, 3 Drawing Sheets



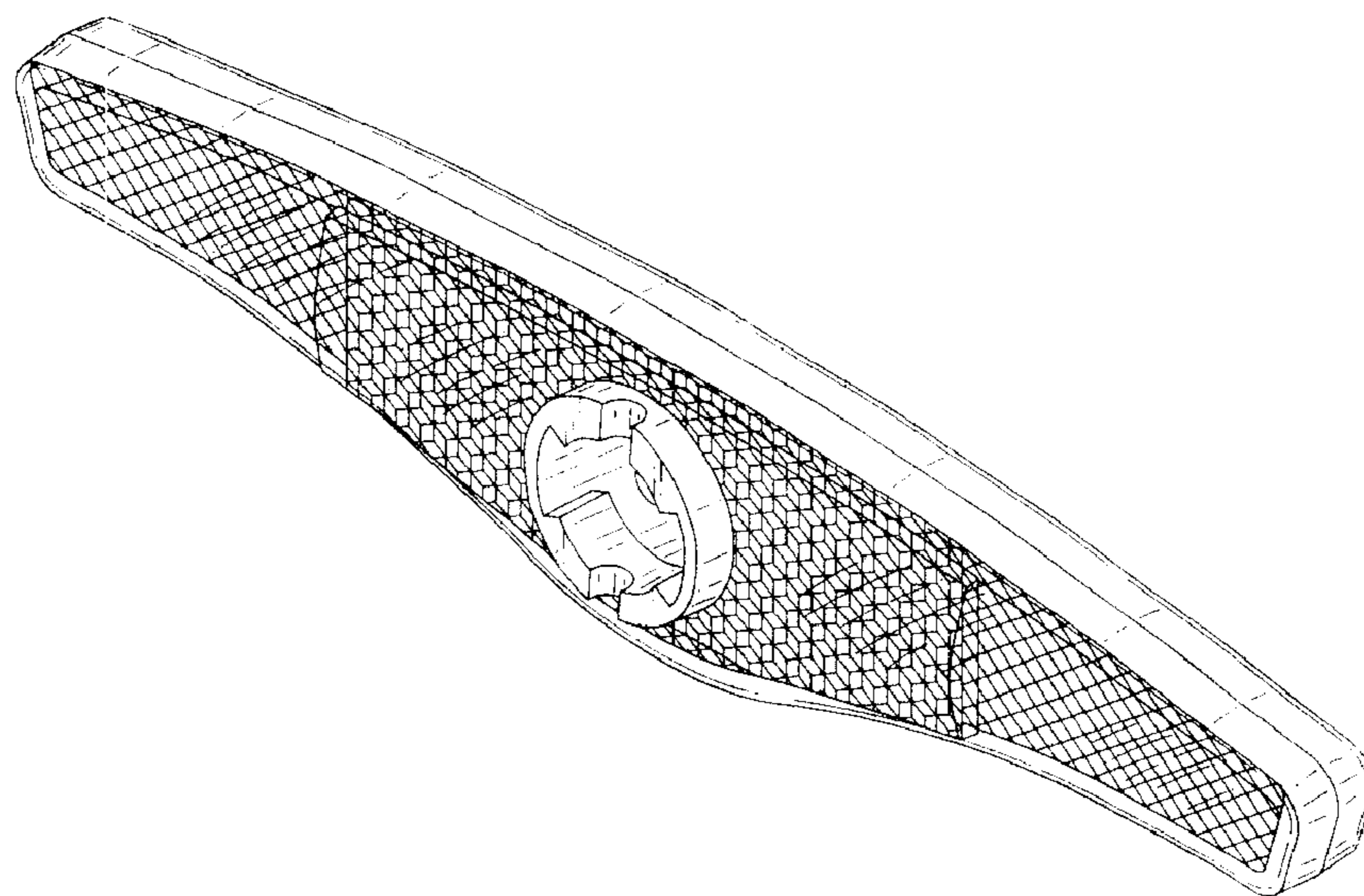


Fig. 1

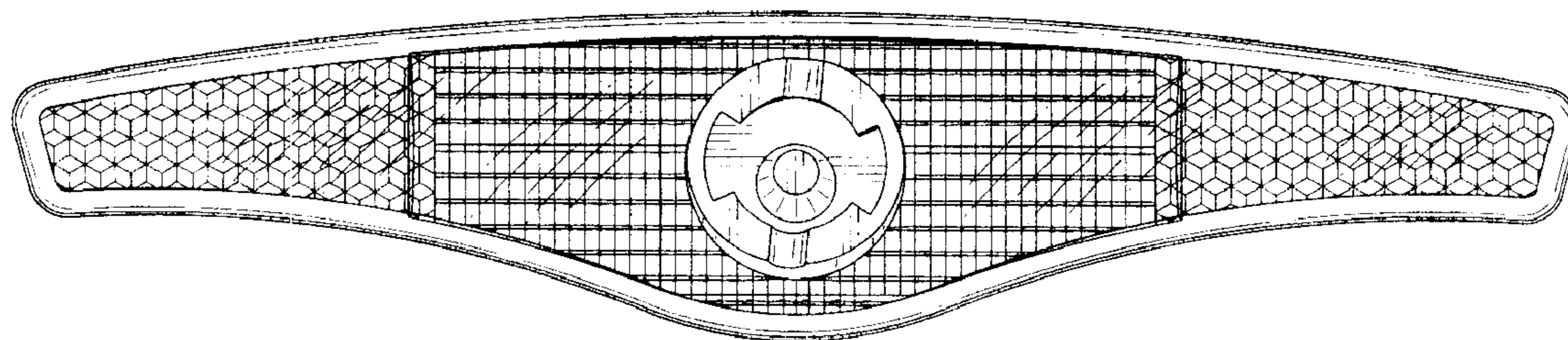


Fig. 2

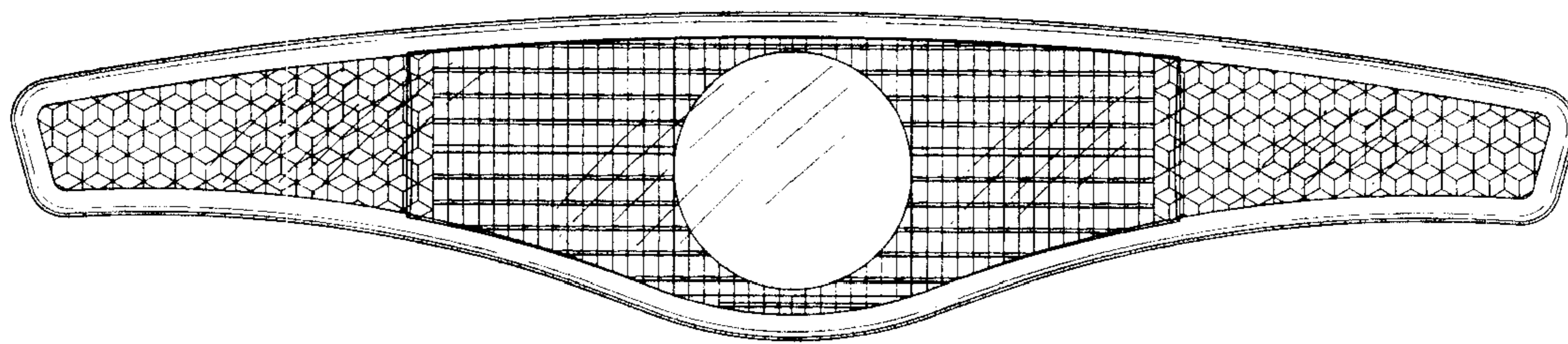


Fig. 3

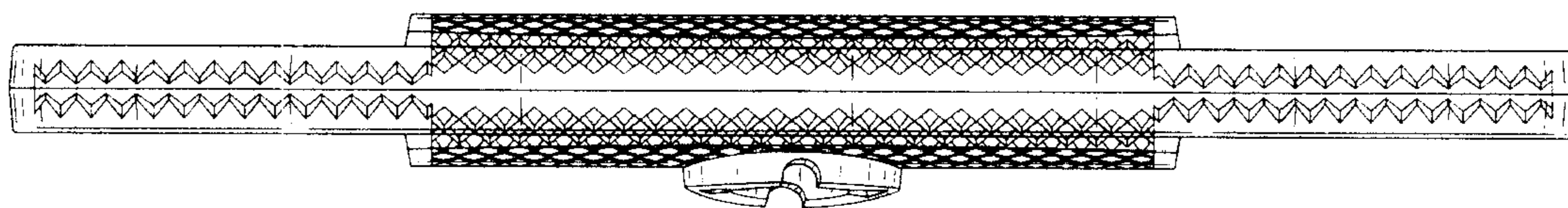


Fig. 4

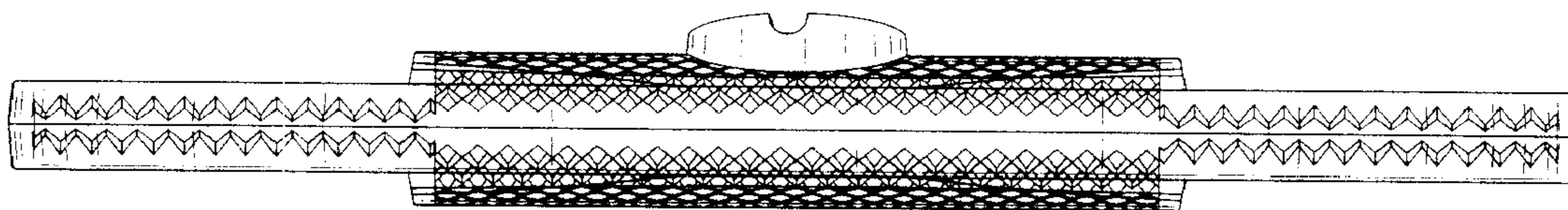


Fig. 5

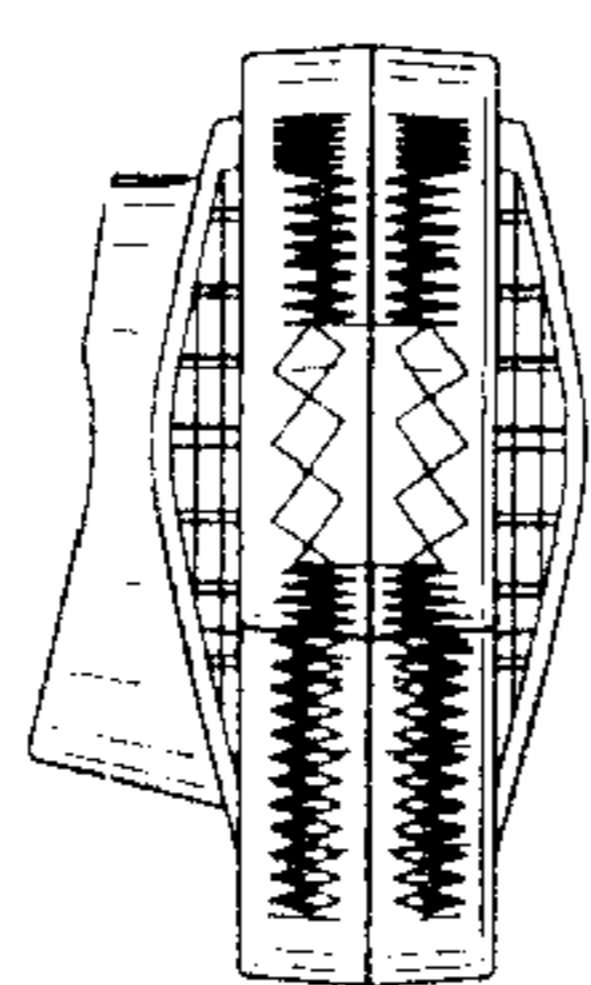


Fig. 6

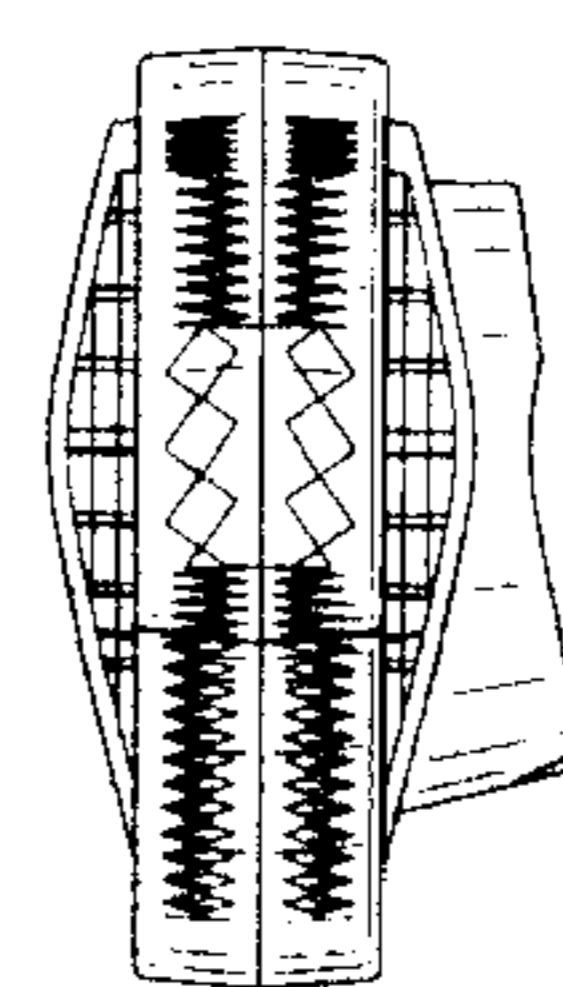


Fig. 7