



US00D532329S

(12) **United States Design Patent**  
**Yamada et al.**

(10) **Patent No.:** **US D532,329 S**

(45) **Date of Patent:** **\*\* Nov. 21, 2006**

(54) **BODY COMPOSITION ANALYZER WITH SCALE**

6,590,166 B1 \* 7/2003 Yoshida ..... 177/25.13  
D503,899 S \* 4/2005 Yamada et al. .... D10/92

(75) Inventors: **Satoshi Yamada**, Kyoto (JP); **Tameo Ashida**, Osaka (JP); **Jiazheng Jin**, Kyoto (JP); **Takashi Shigeno**, Kanagawa (JP); **Yoshio Kusumi**, Tokyo (JP)

\* cited by examiner

*Primary Examiner*—Antoine D. Davis  
(74) *Attorney, Agent, or Firm*—Harness, Dickey & Pierce, P.L.C.

(73) Assignee: **Omron Healthcare Co., Ltd.**, Kyoto (JP)

(57) **CLAIM**

The ornamental design for a body composition analyzer with scale, as shown.

(\*\*) Term: **14 Years**

**DESCRIPTION**

(21) Appl. No.: **29/255,835**

FIG. 1 is a perspective view of an embodiment of a body composition analyzer with scale showing our new design; FIG. 2 is a front elevational view thereof; FIG. 3 is a rear elevational view thereof; FIG. 4 is a top plan view thereof; FIG. 5 is a bottom plan view thereof; FIG. 6 is a right side elevational view thereof; FIG. 7 is a left side elevational view thereof; FIG. 8 is a perspective view showing a condition in which the handle is removed thereof; FIG. 9 is a front elevational view showing a condition in which the handle is removed thereof; FIG. 10 is rear elevational view showing a condition in which the handle is removed thereof; FIG. 11 is a top plan view showing a condition in which the handle is removed thereof; FIG. 12 is a bottom plan view showing a condition in which the handle is removed thereof; FIG. 13 is a right side elevational view showing a condition in which the handle is removed thereof; and, FIG. 14 is a left side elevational view showing a condition in which the handle is removed thereof.

(22) Filed: **Mar. 14, 2006**

**Related U.S. Application Data**

(62) Division of application No. 29/223,907, filed on Feb. 23, 2005.

(30) **Foreign Application Priority Data**

Aug. 31, 2004 (JP) ..... 2004-026128  
Aug. 31, 2004 (JP) ..... 2004-026129  
Aug. 31, 2004 (JP) ..... 2004-026130

(51) **LOC (8) Cl.** ..... **10-04**

(52) **U.S. Cl.** ..... **D10/92**

(58) **Field of Classification Search** ..... D10/92;  
177/4, 25.12–25.16, 177, 199, 210 R, 238–245,  
177/DIG. 3; 324/692; 600/506, 547  
See application file for complete search history.

(56) **References Cited**

**U.S. PATENT DOCUMENTS**

D414,126 S \* 9/1999 Kurata et al. .... D10/92

**1 Claim, 8 Drawing Sheets**



Fig.1

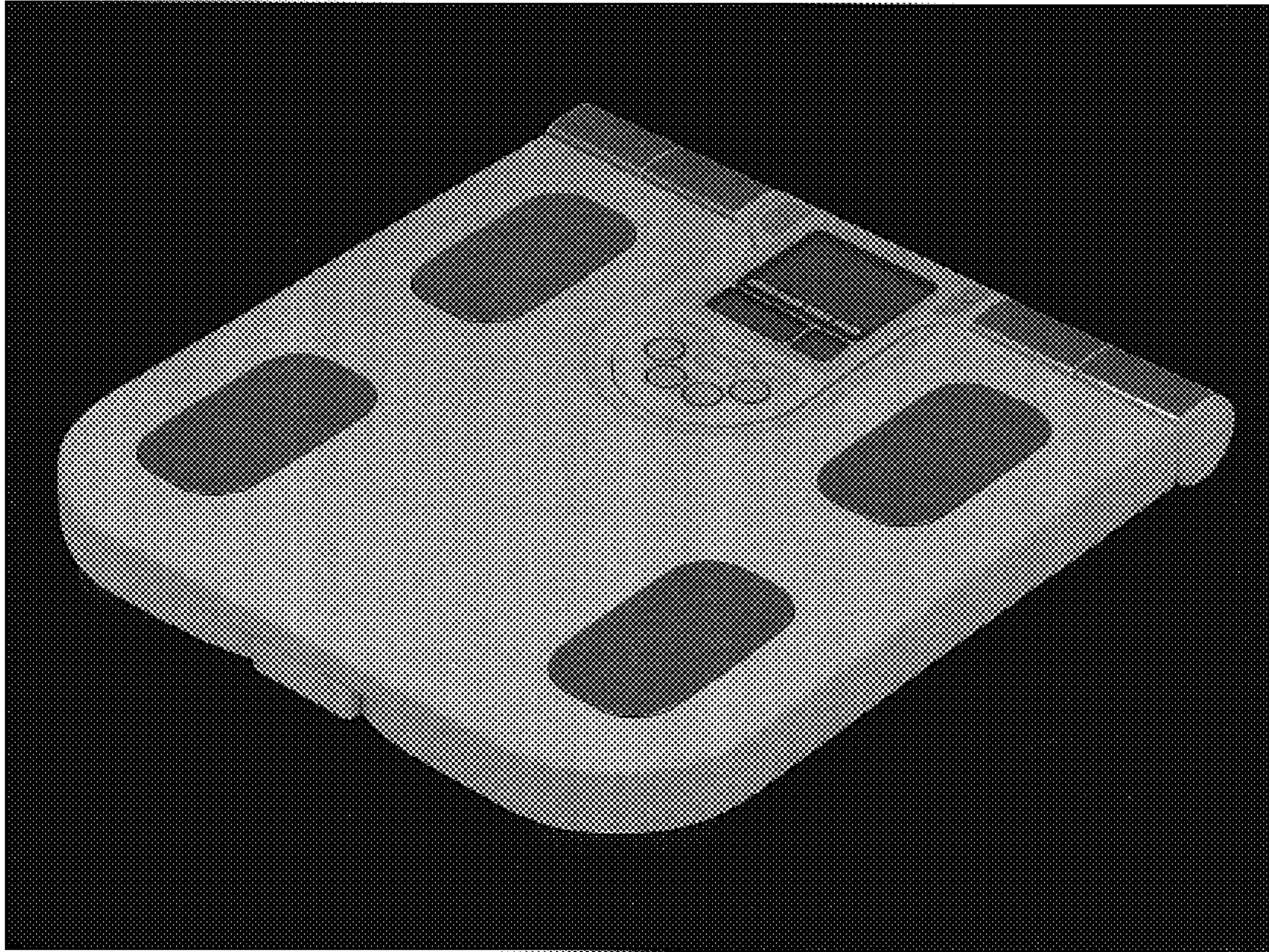


Fig.2

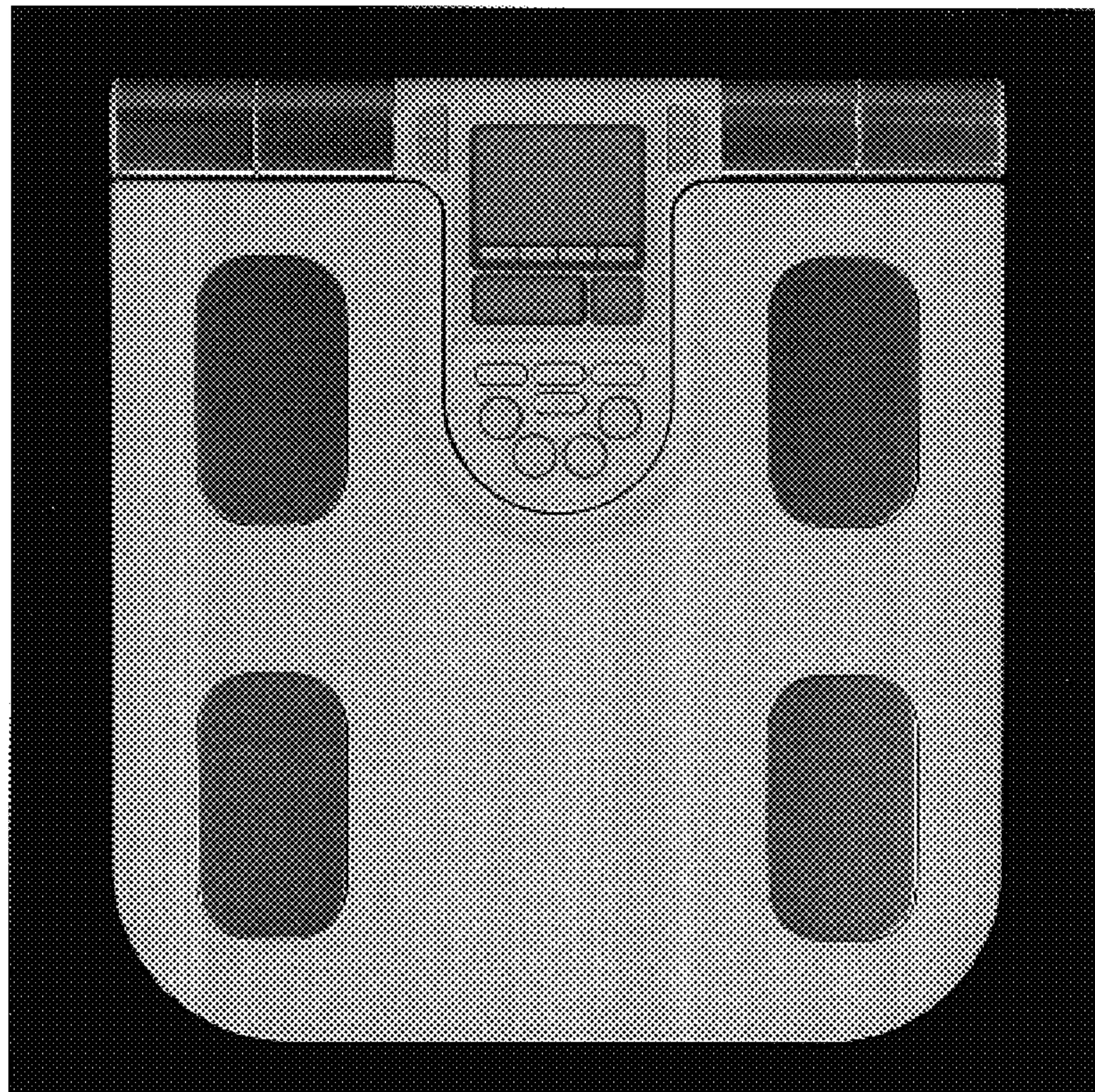


Fig.3

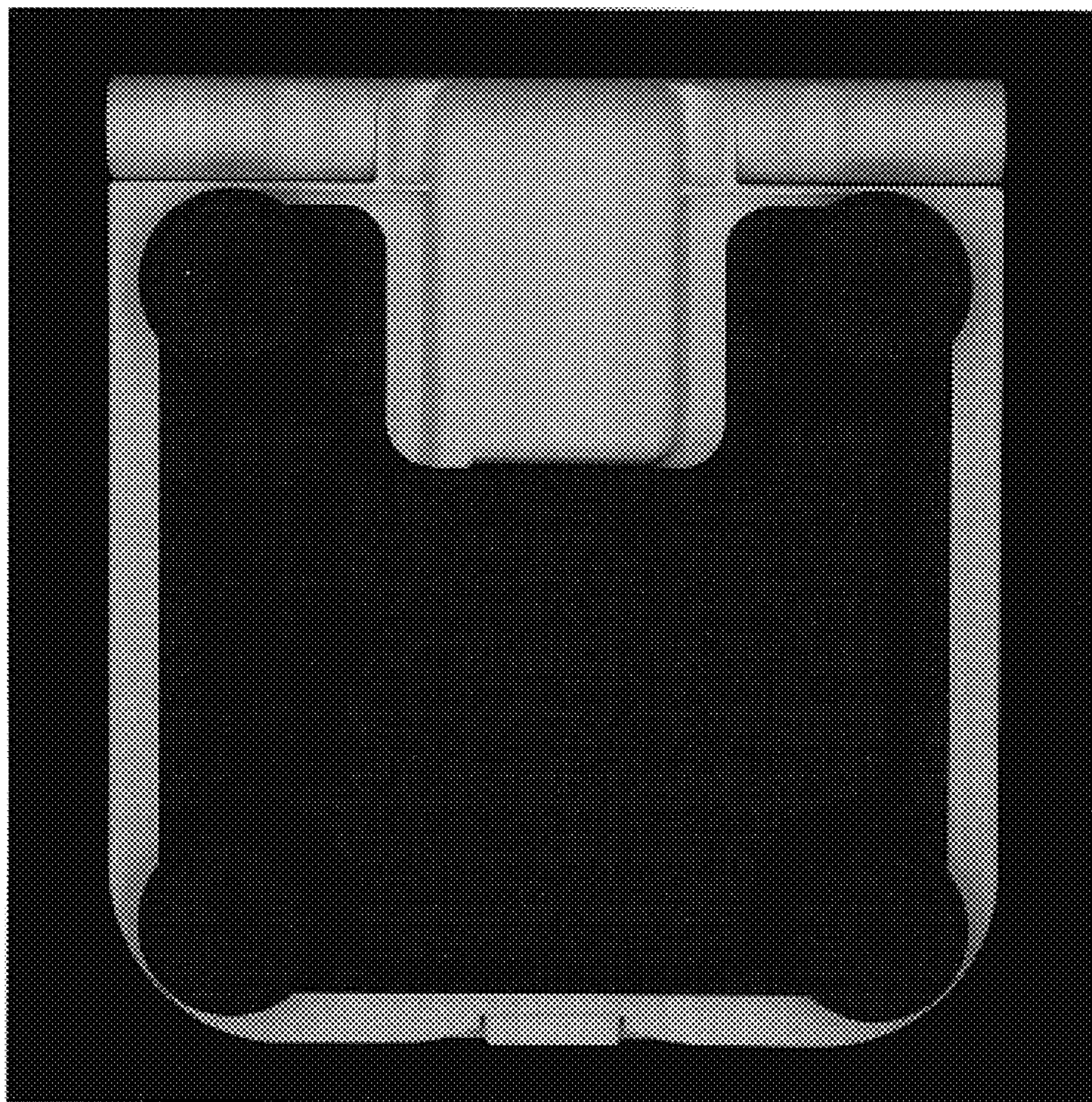


Fig.4

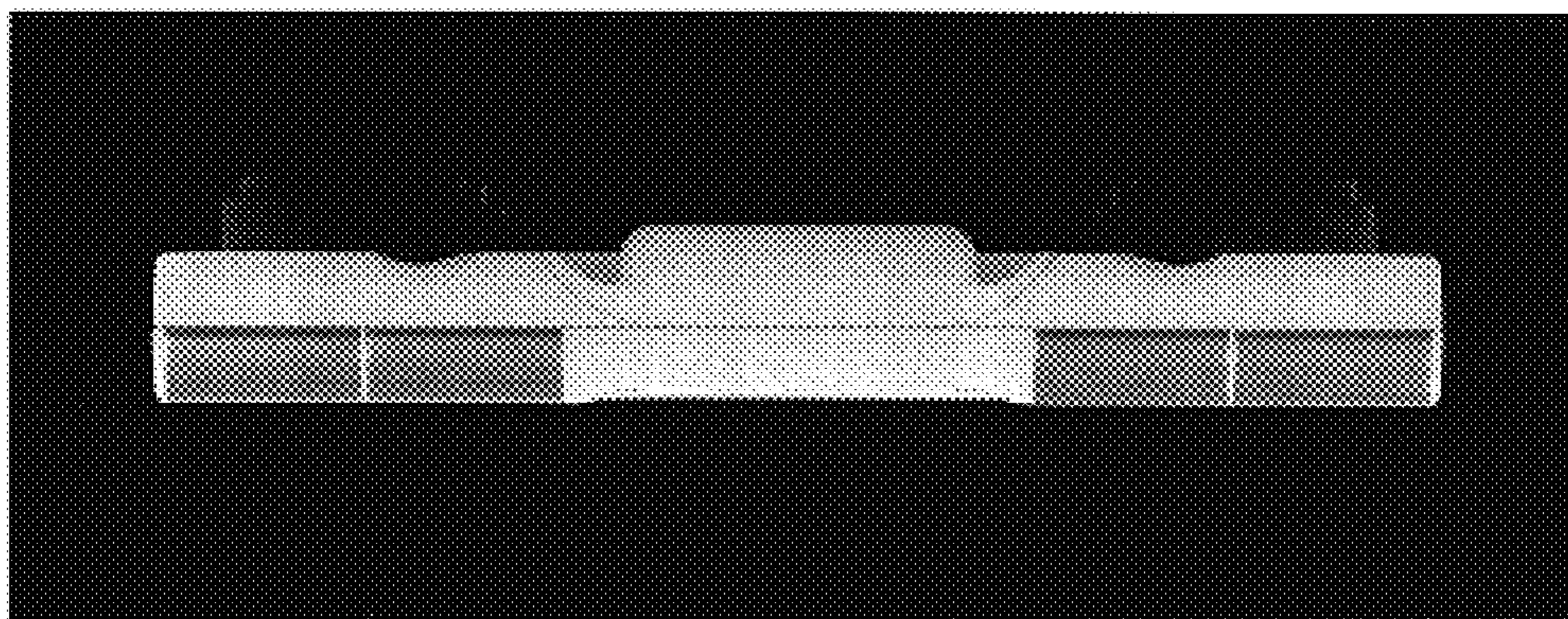


Fig.5

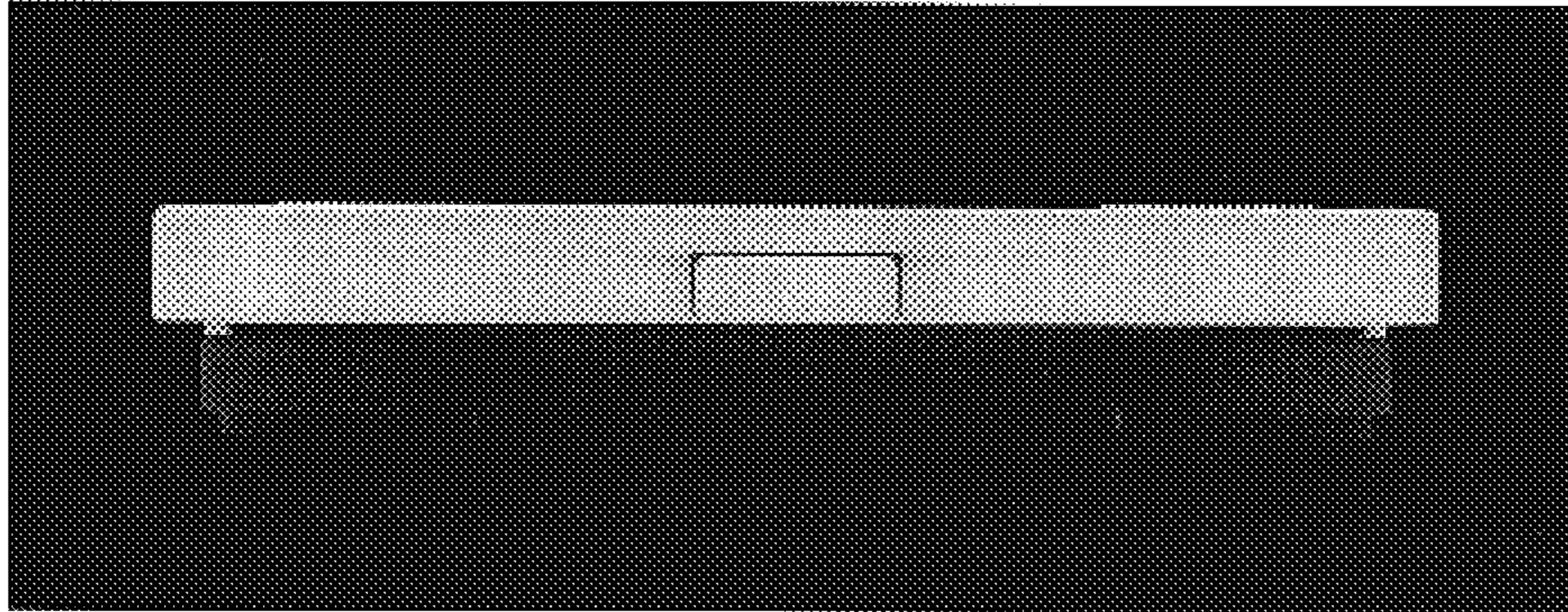


Fig.6

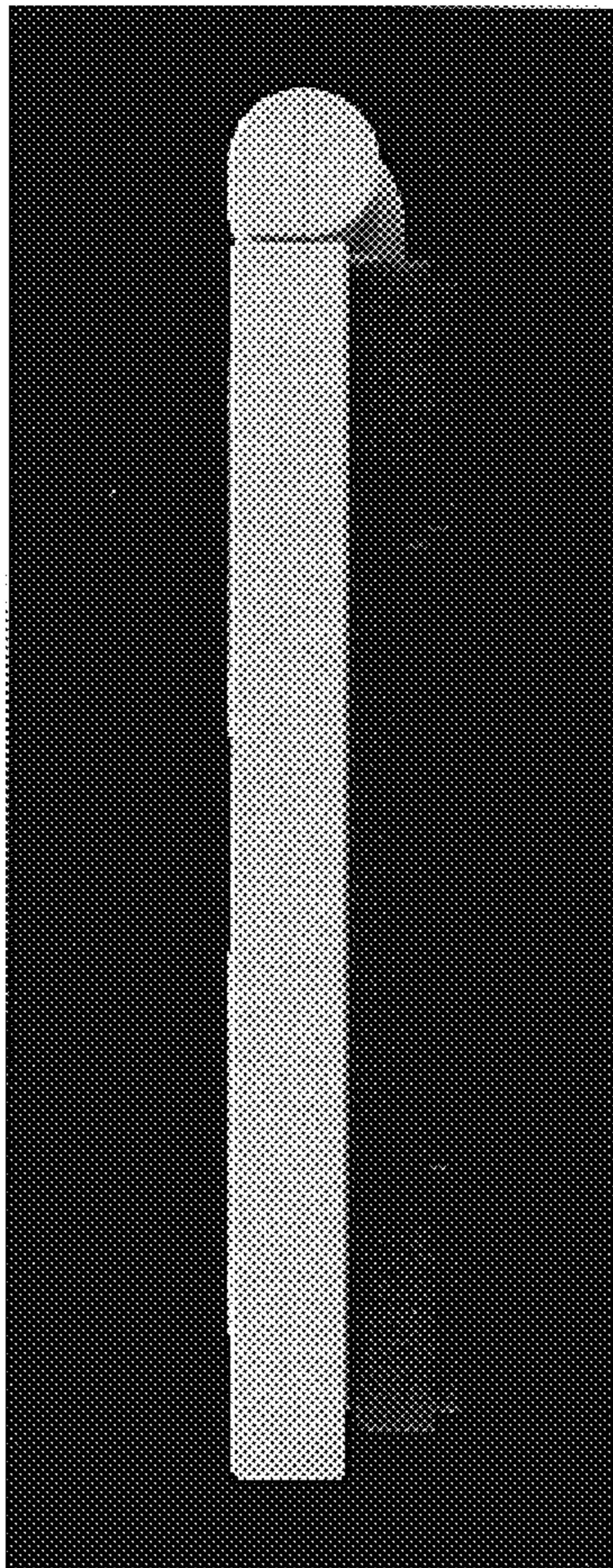


Fig.7

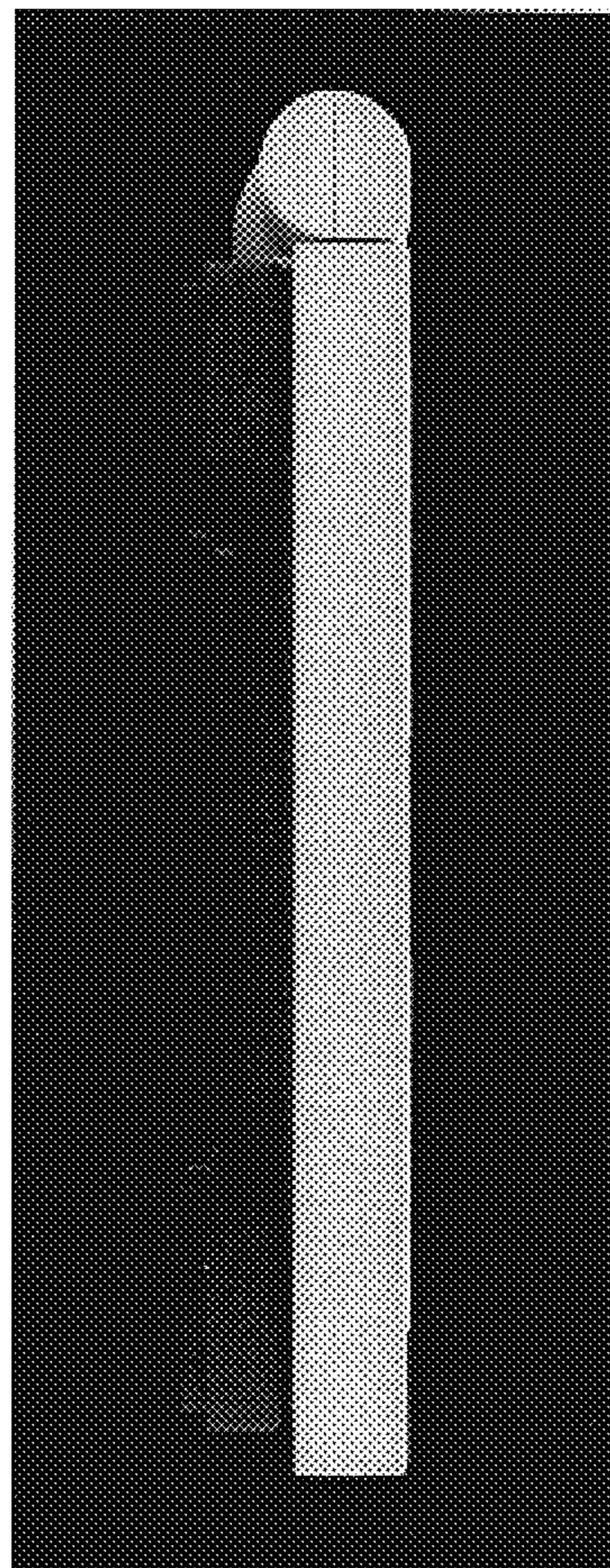


Fig.8

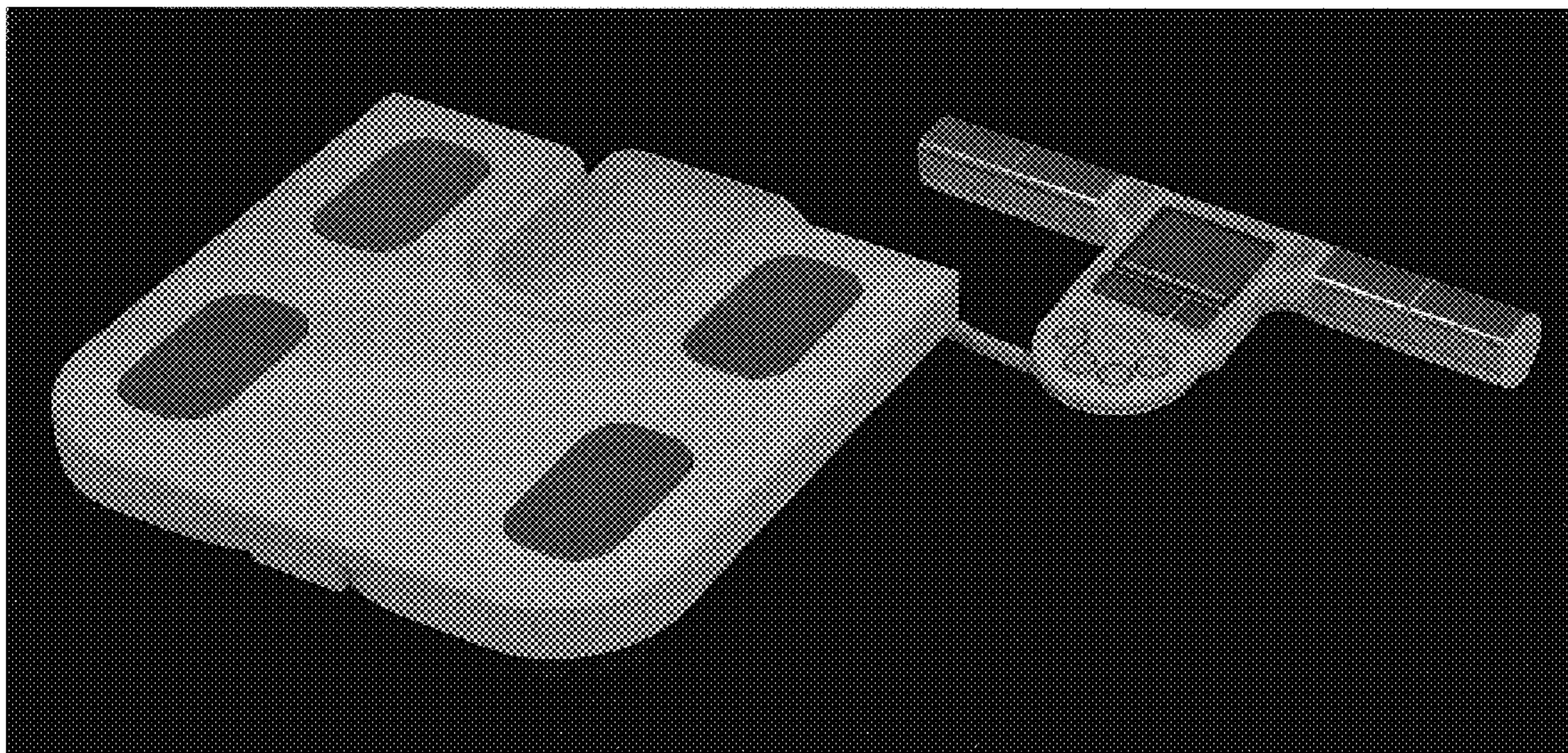


Fig.9

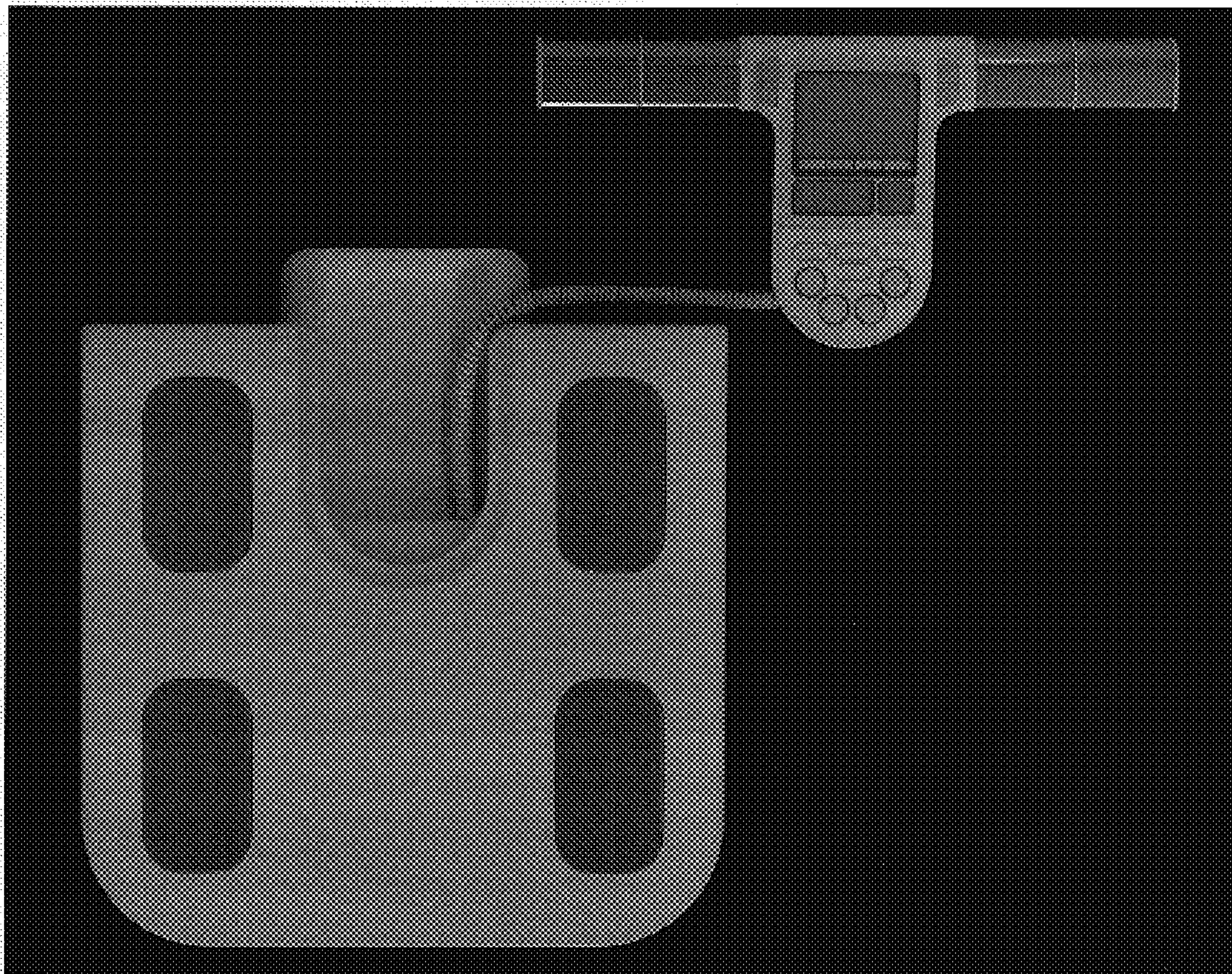


Fig.10

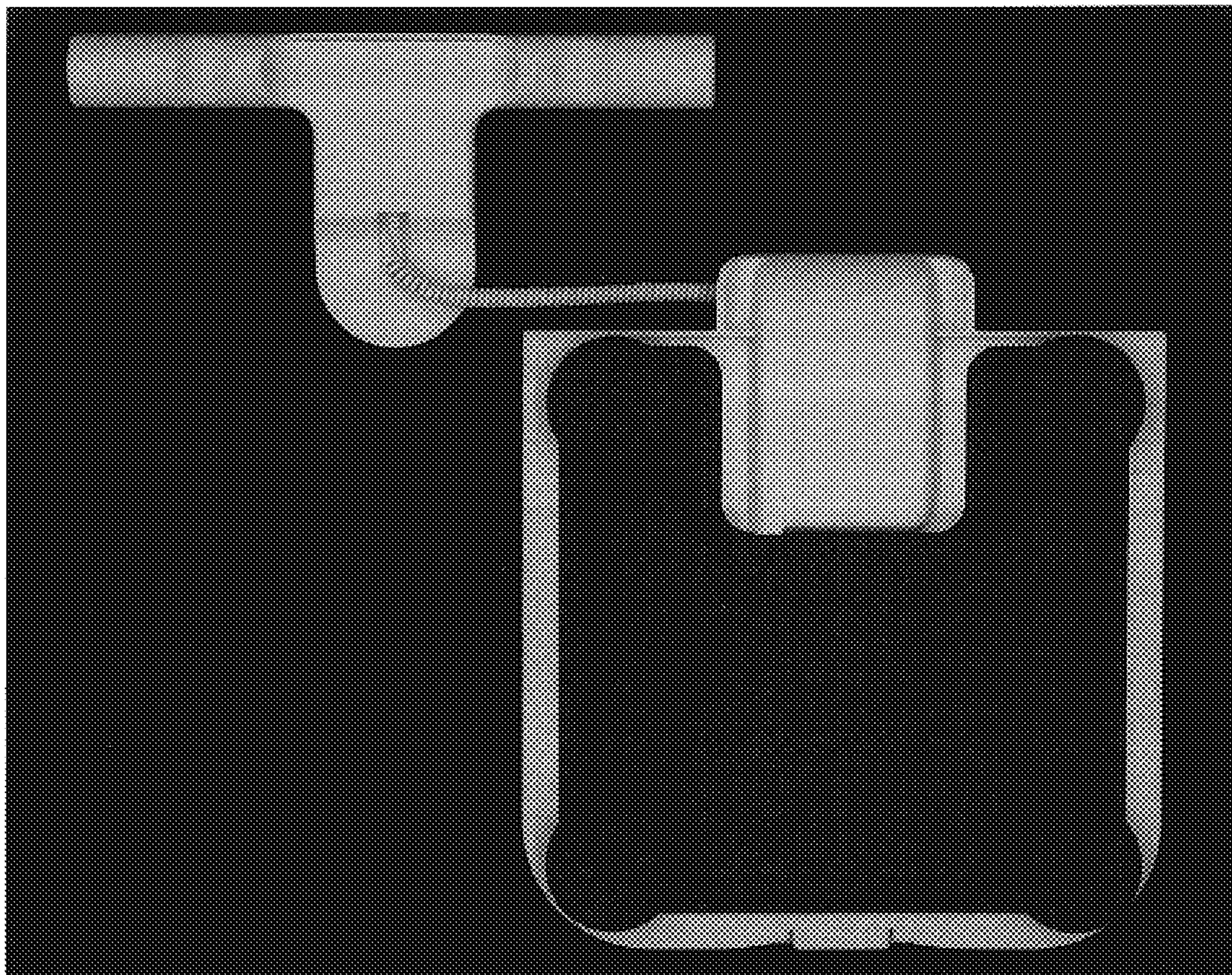


Fig.11

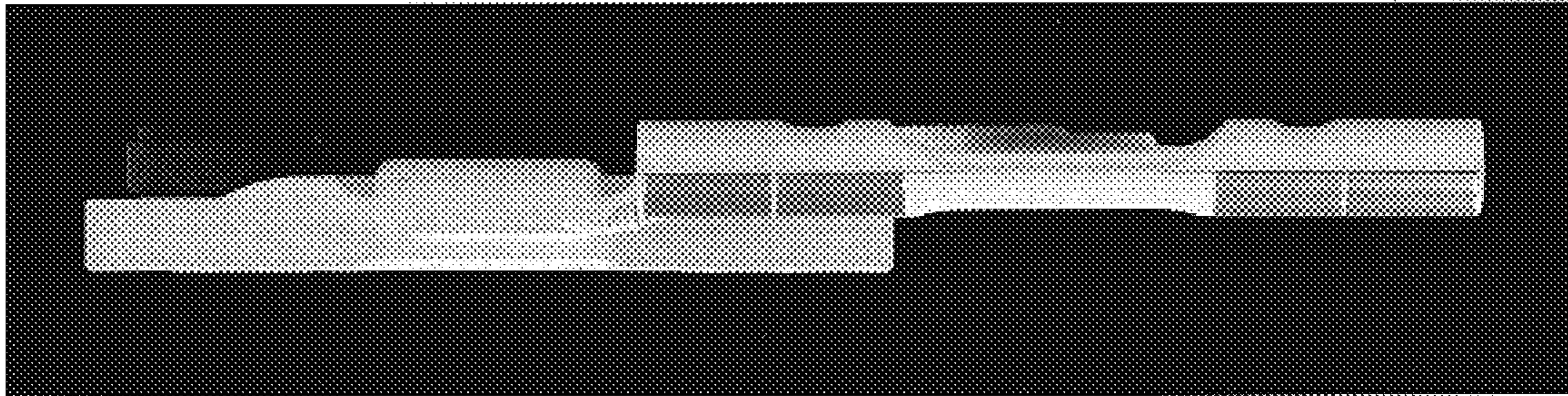


Fig.12

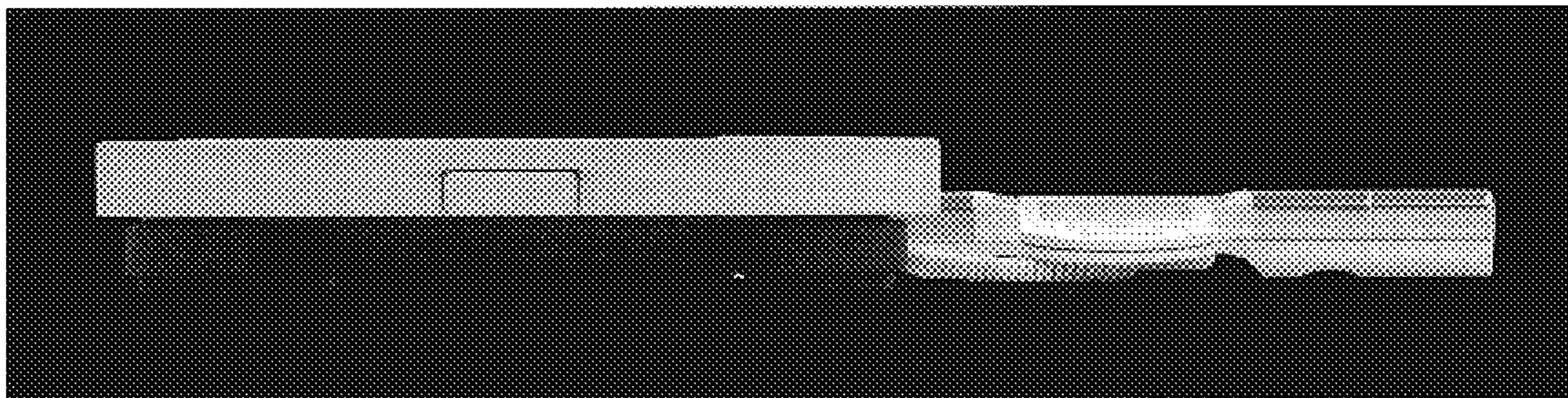




Fig.13

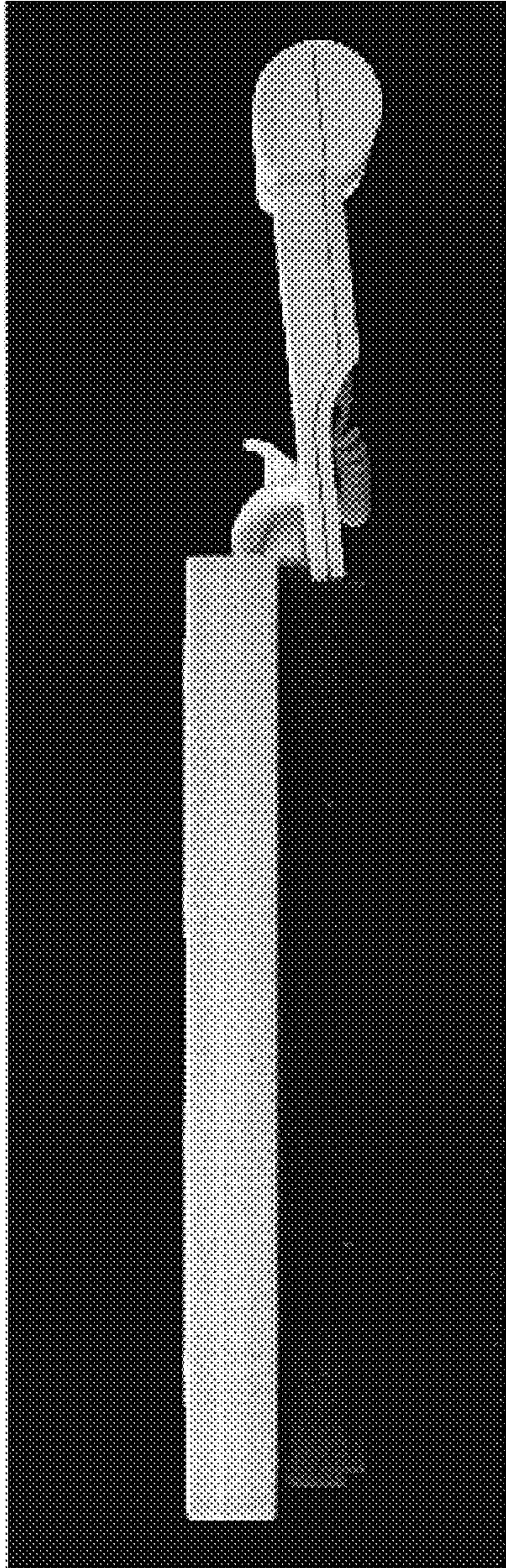


Fig.14

