



US00D532325S

(12) **United States Design Patent** (10) **Patent No.:** **US D532,325 S**
Tokuda et al. (45) **Date of Patent:** **** Nov. 21, 2006**

(54) **PORTION OF ELECTRONIC THEODOLITE**

(75) Inventors: **Yoshihiko Tokuda**, Isehara (JP);
Satoshi Nakamura, Ashigarakami-gun
(JP)

(73) Assignee: **Sokkia Co., Ltd.** (JP)

(**) Term: **14 Years**

(21) Appl. No.: **29/231,013**

(22) Filed: **Jun. 1, 2005**

(30) **Foreign Application Priority Data**

Feb. 9, 2005 (JP) 2005-003333

(51) **LOC (8) Cl.** **10-04**

(52) **U.S. Cl.** **D10/66**

(58) **Field of Classification Search** D10/66;
D16/130; 33/281, 285-286, 290-299; 356/138-155
See application file for complete search history.

(56) **References Cited**

U.S. PATENT DOCUMENTS

D367,233 S * 2/1996 Hoshino D10/66
D375,464 S * 11/1996 Hoshino D10/66
D389,418 S * 1/1998 Takayama et al. D10/66
D409,507 S * 5/1999 Ishii D10/66

5,991,706 A * 11/1999 Tsukamoto et al. 33/281
D427,087 S * 6/2000 Kaneko et al. D10/66
D447,066 S * 8/2001 Takayama et al. D10/66
D450,254 S * 11/2001 Ishii D10/66
D494,074 S * 8/2004 Ishii D10/66
2005/0275829 A1 * 12/2005 Kumagai et al. 356/139
2006/0021236 A1 * 2/2006 Endo 33/290

* cited by examiner

Primary Examiner—Antoine D. Davis

(74) *Attorney, Agent, or Firm*—Banner & Witcoff, Ltd.

(57) **CLAIM**

The ornamental design for a portion of electronic theodolite,
as shown and described.

DESCRIPTION

FIG. 1 is a front elevational view of a portion of electronic theodolite, showing our new design;
FIG. 2 is a rear elevational view thereof;
FIG. 3 is a right side elevational view thereof;
FIG. 4 is a left side elevational view thereof;
FIG. 5 is a top plan view thereof; and,
FIG. 6 is a bottom plan view thereof.
The broken line portion is for illustrative purposes only and forms no part of the claimed design.

1 Claim, 2 Drawing Sheets

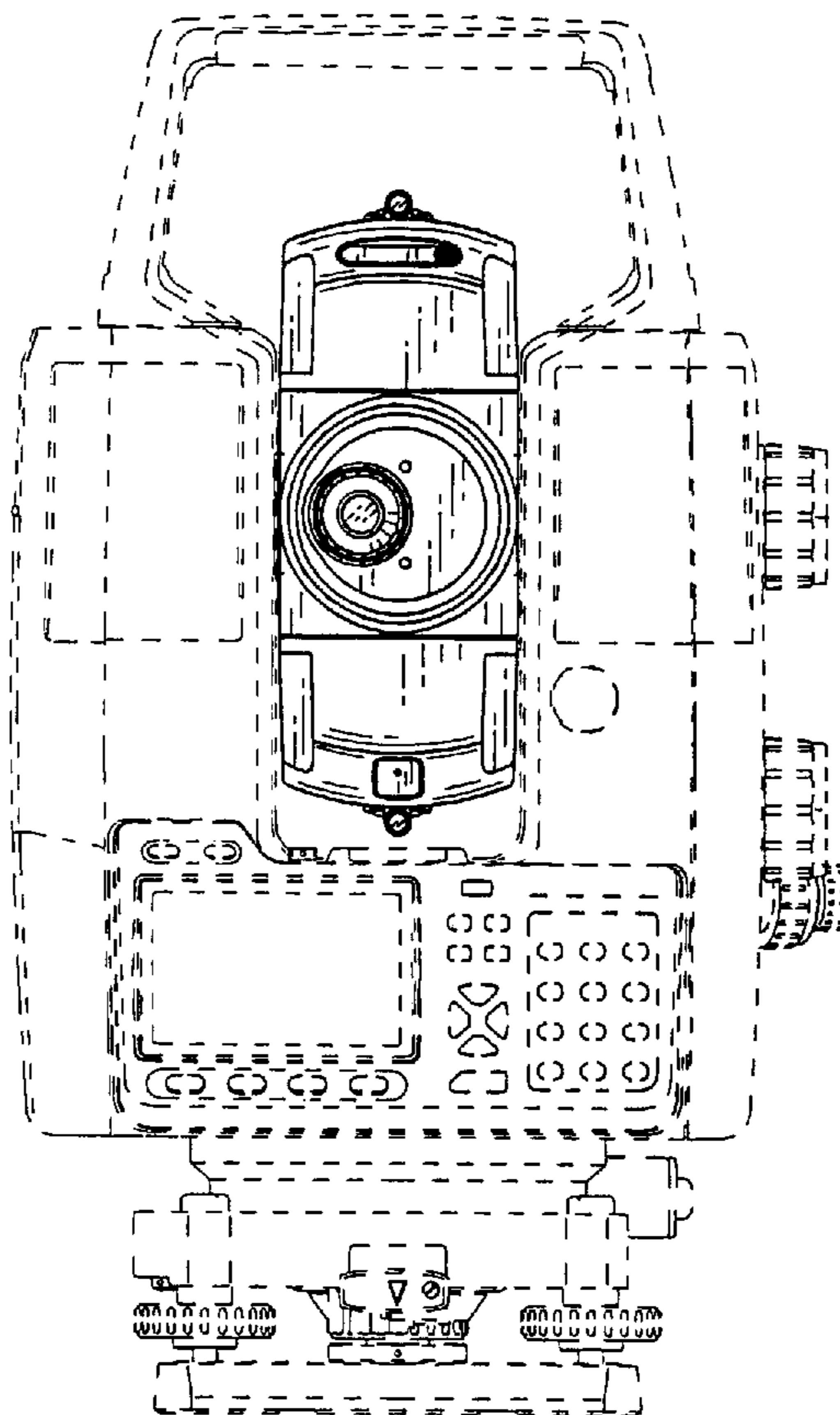


FIG.1

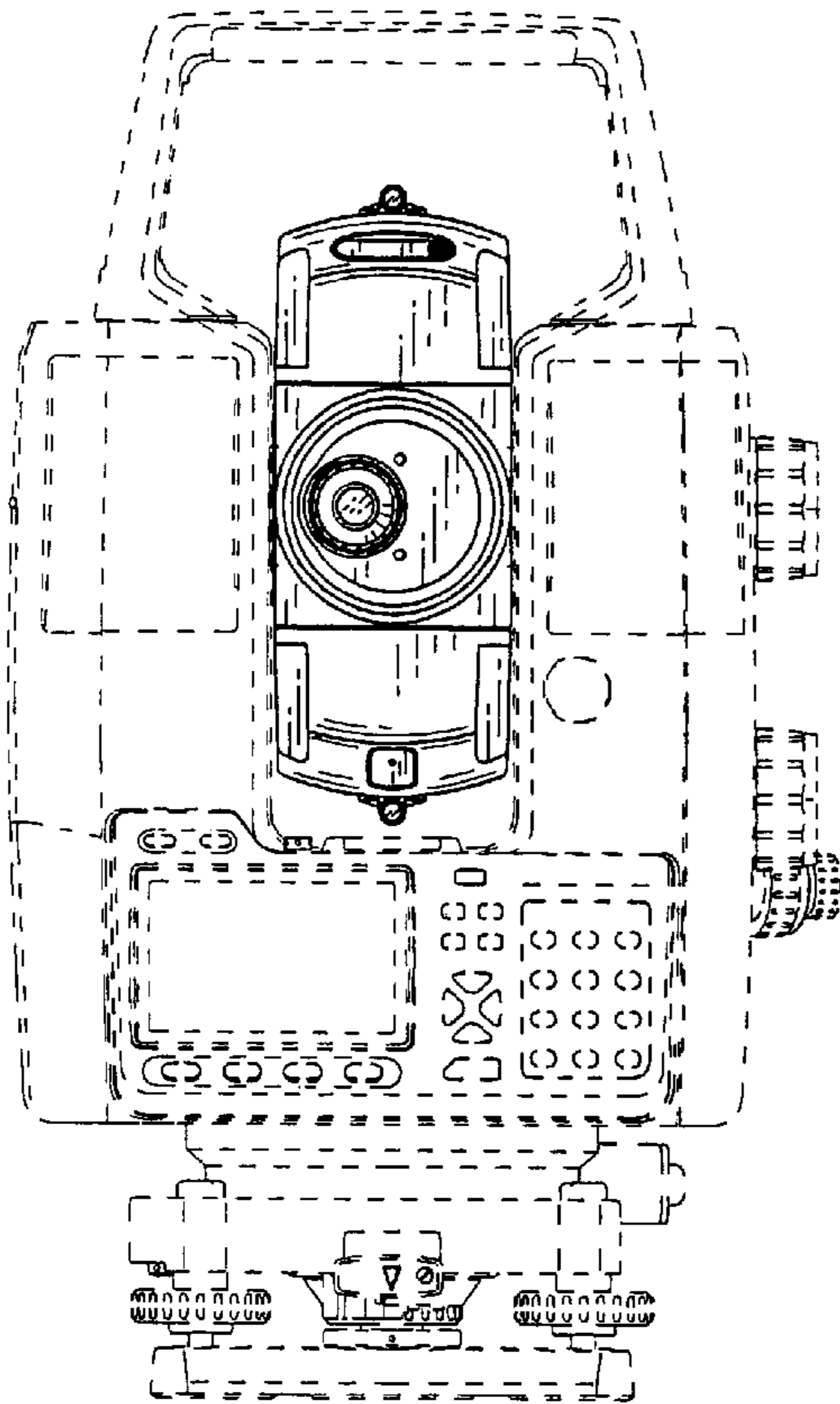


FIG.2

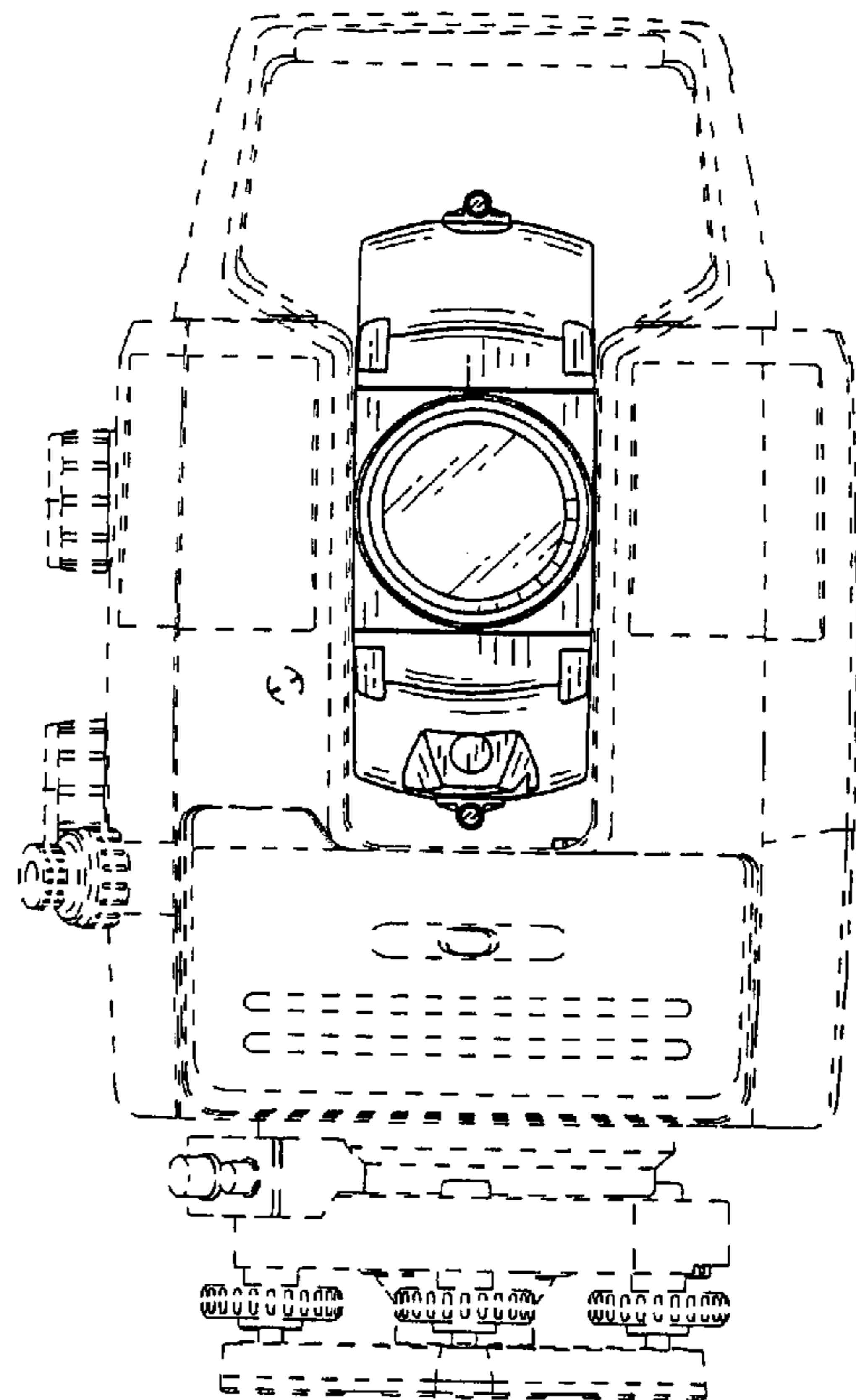


FIG.5

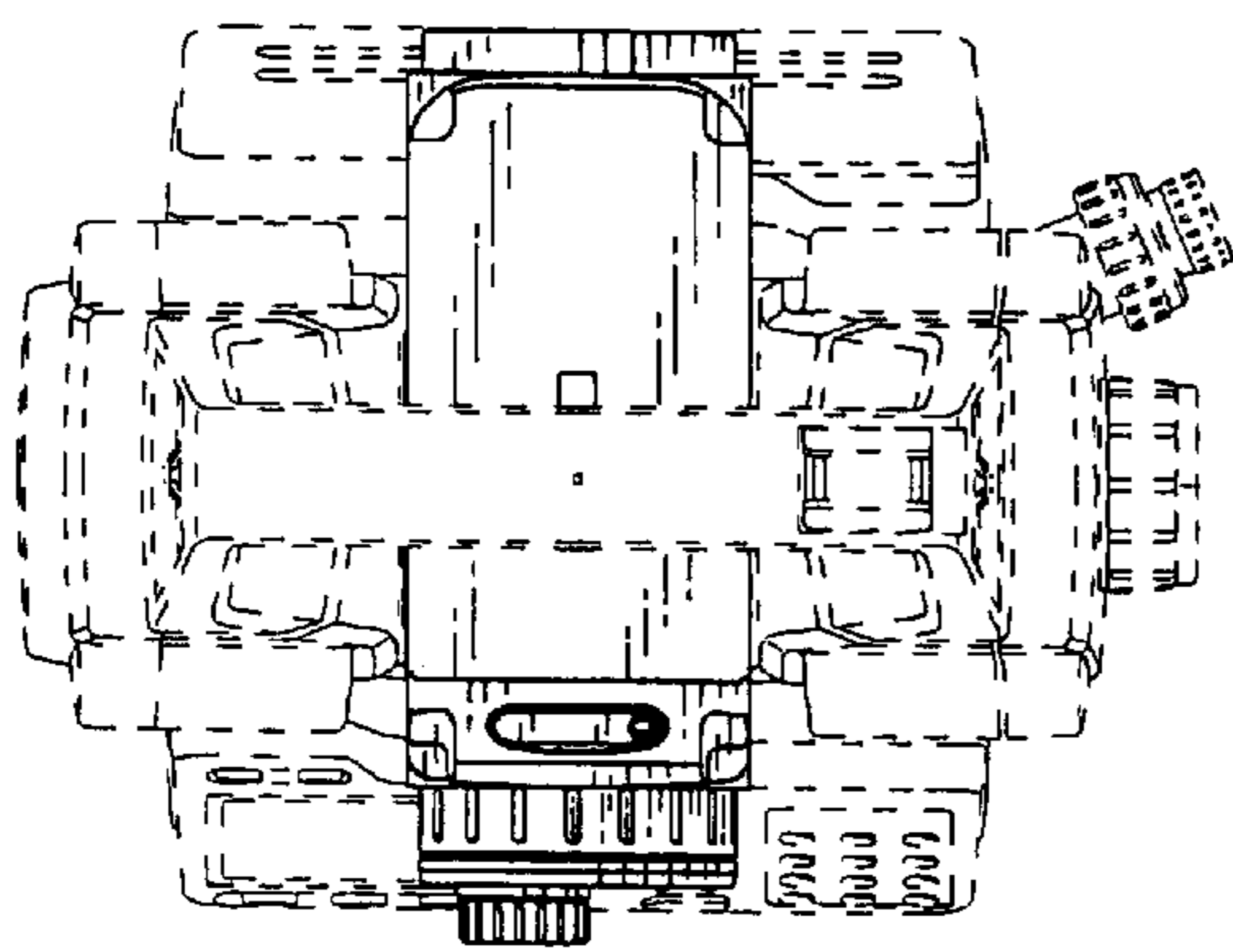


FIG.6

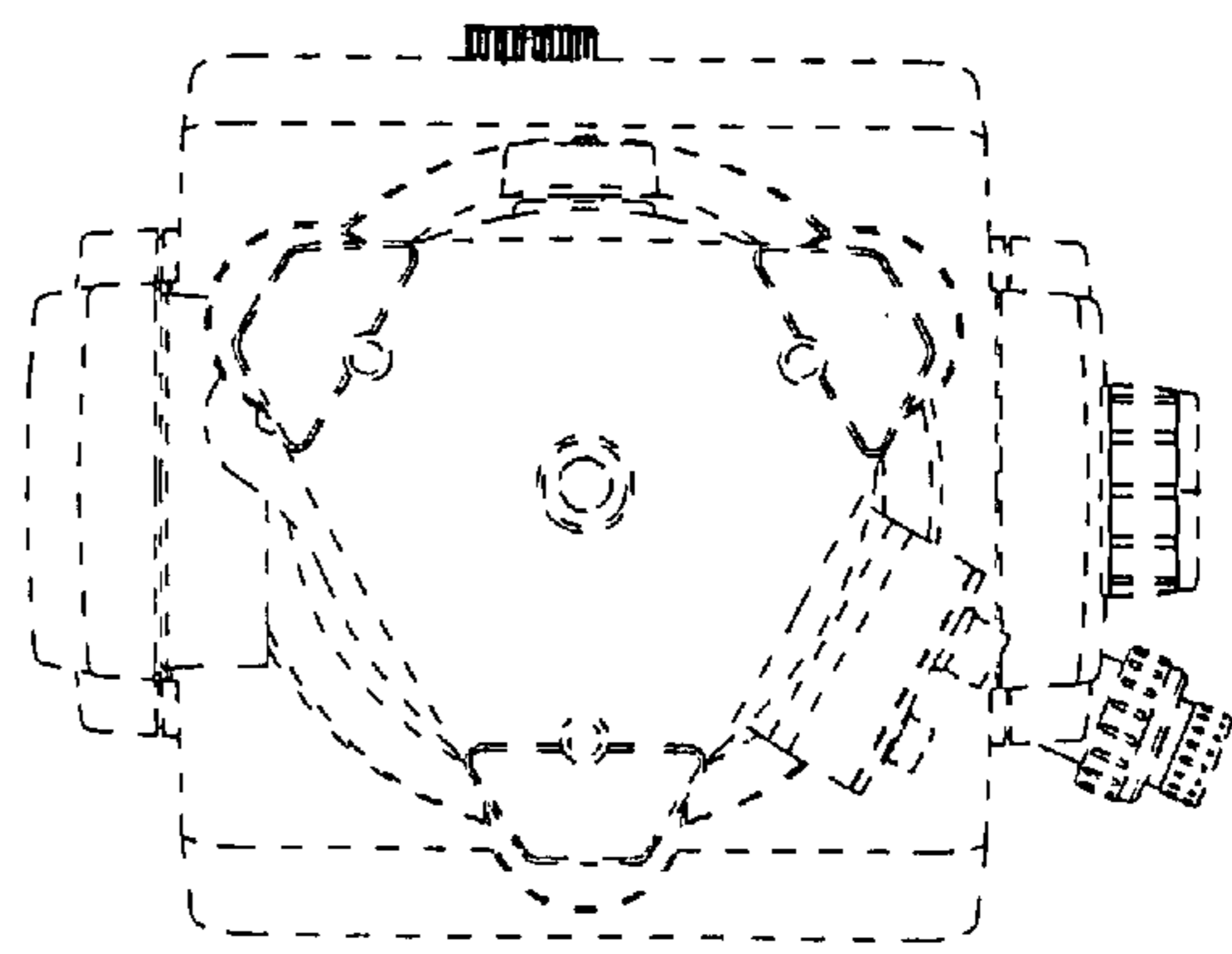


FIG.4

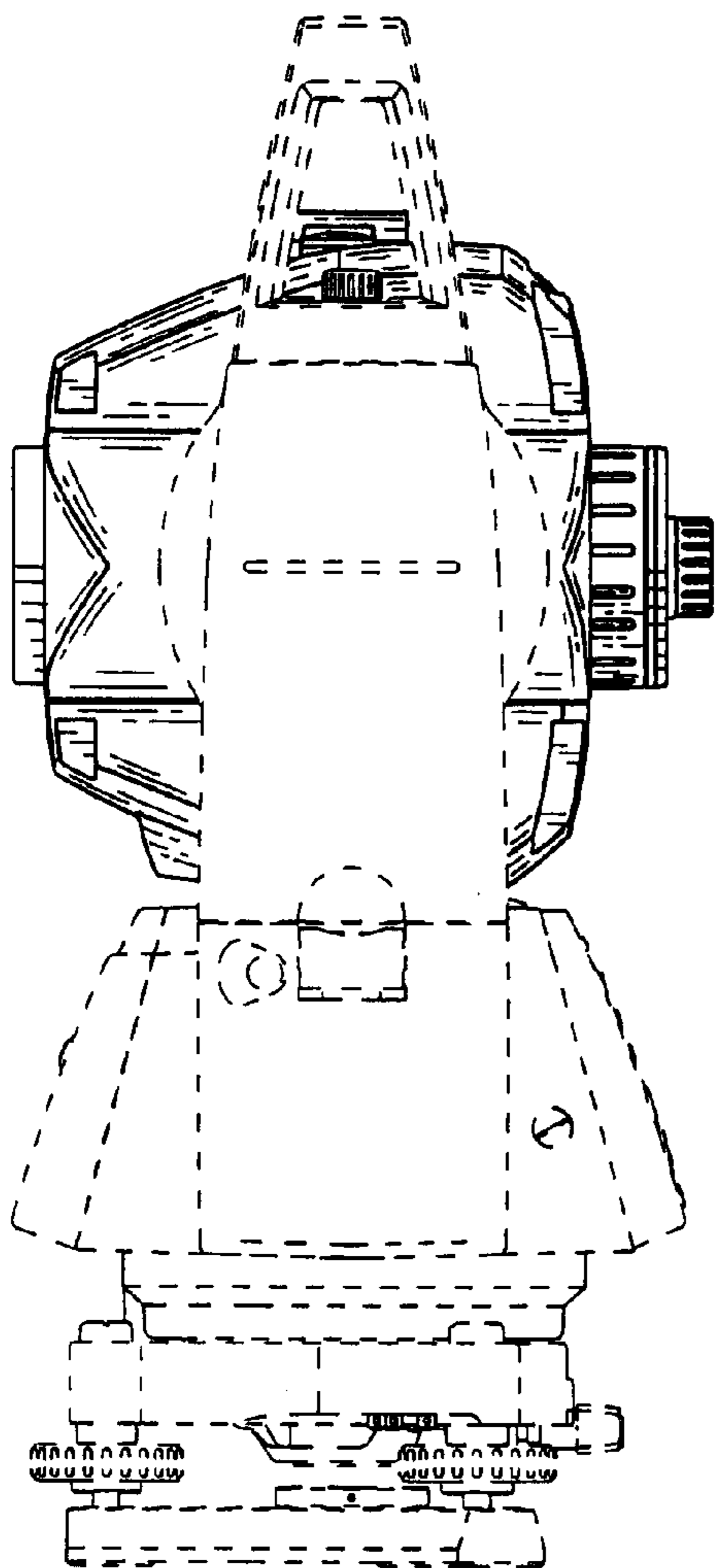


FIG.3

