



US00D532323S

(12) **United States Design Patent**
Gotou et al.

(10) **Patent No.:** **US D532,323 S**

(45) **Date of Patent:** **** Nov. 21, 2006**

(54) **GPS RECEIVER**

D487,023 S 2/2004 Takahashi
D516,443 S * 3/2006 Gotou et al. D10/65

(75) Inventors: **Hidefumi Gotou**, Tokyo (JP); **Hirohisa Tanaka**, Tokyo (JP); **Michio Deguchi**, Tokyo (JP)

FOREIGN PATENT DOCUMENTS

JP D1178690 S 7/2003

(73) Assignee: **Sony Computer Entertainment Inc.**, Tokyo (JP)

* cited by examiner

(**) Term: **14 Years**

Primary Examiner—Robert A. Delehanty

Assistant Examiner—John Windmuller

(21) Appl. No.: **29/216,860**

(74) *Attorney, Agent, or Firm*—Rader, Fishman & Grauer PLLC

(22) Filed: **Nov. 10, 2004**

(57) **CLAIM**

(30) **Foreign Application Priority Data**

The ornamental design for a GPS receiver, as shown and described.

May 10, 2004 (JP) D2004-013739

DESCRIPTION

(51) **LOC (8) Cl.** **10-04**

FIG. 1 is a front elevational view of a GPS receiver showing our new design;

(52) **U.S. Cl.** **D10/65; D14/230**

FIG. 2 is a rear elevational view thereof;

(58) **Field of Classification Search** D14/137,

FIG. 3 is a right side elevational view thereof, a left side elevational view thereof being a mirror image;

D14/138, 230–238, 299, 358; D12/42, 43;

FIG. 4 is a bottom plan view thereof;

343/700 R–705, 871–908, 795, 840, 711–713,

FIG. 5 is a front top right perspective view thereof;

343/819, 846; 455/90.2, 90.3, 91, 128, 269,

FIG. 6 is a rear bottom right perspective view thereof; and,

455/344, 347, 562.1; D10/65

FIG. 7 is a reduced front elevational view thereof, showing a using condition.

See application file for complete search history.

The broken lines showing of the environment are for illustrative purposes only and form no part of the claimed design.

(56) **References Cited**

U.S. PATENT DOCUMENTS

D383,801 S * 9/1997 Oikawa D21/333
D453,324 S * 2/2002 Sawai D13/165
D470,837 S * 2/2003 Tourres D14/230

1 Claim, 4 Drawing Sheets

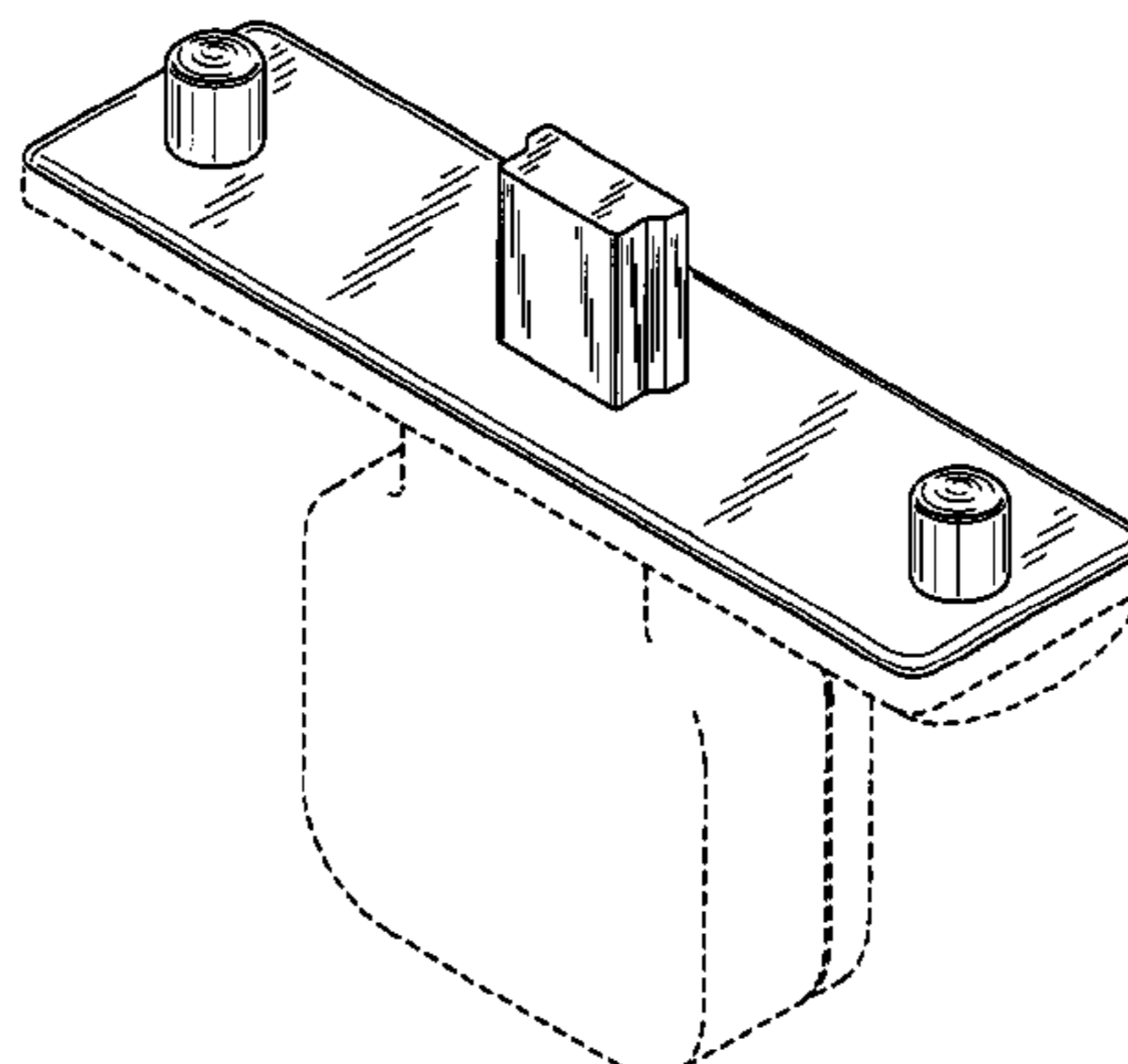
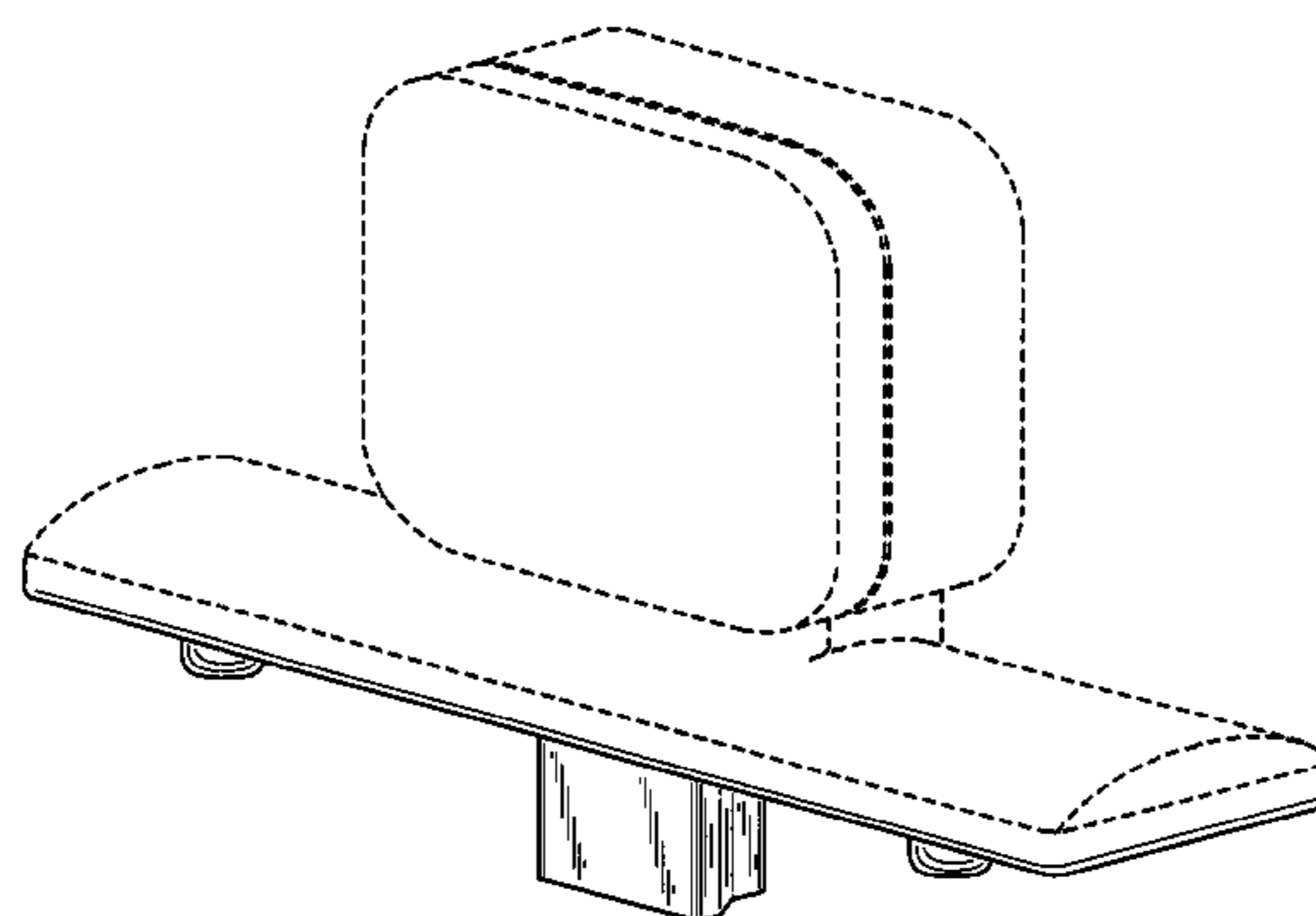


FIG.1

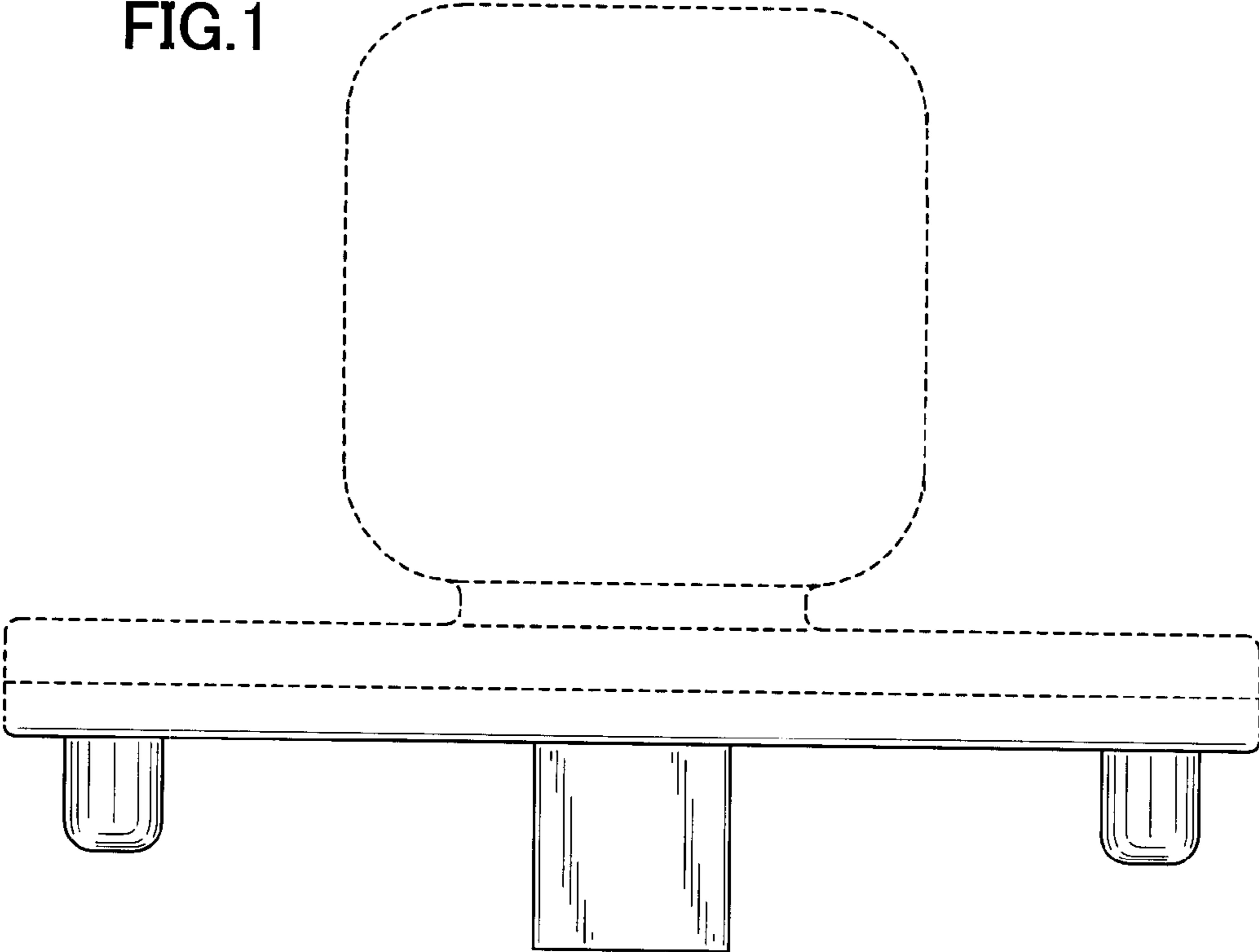


FIG.2

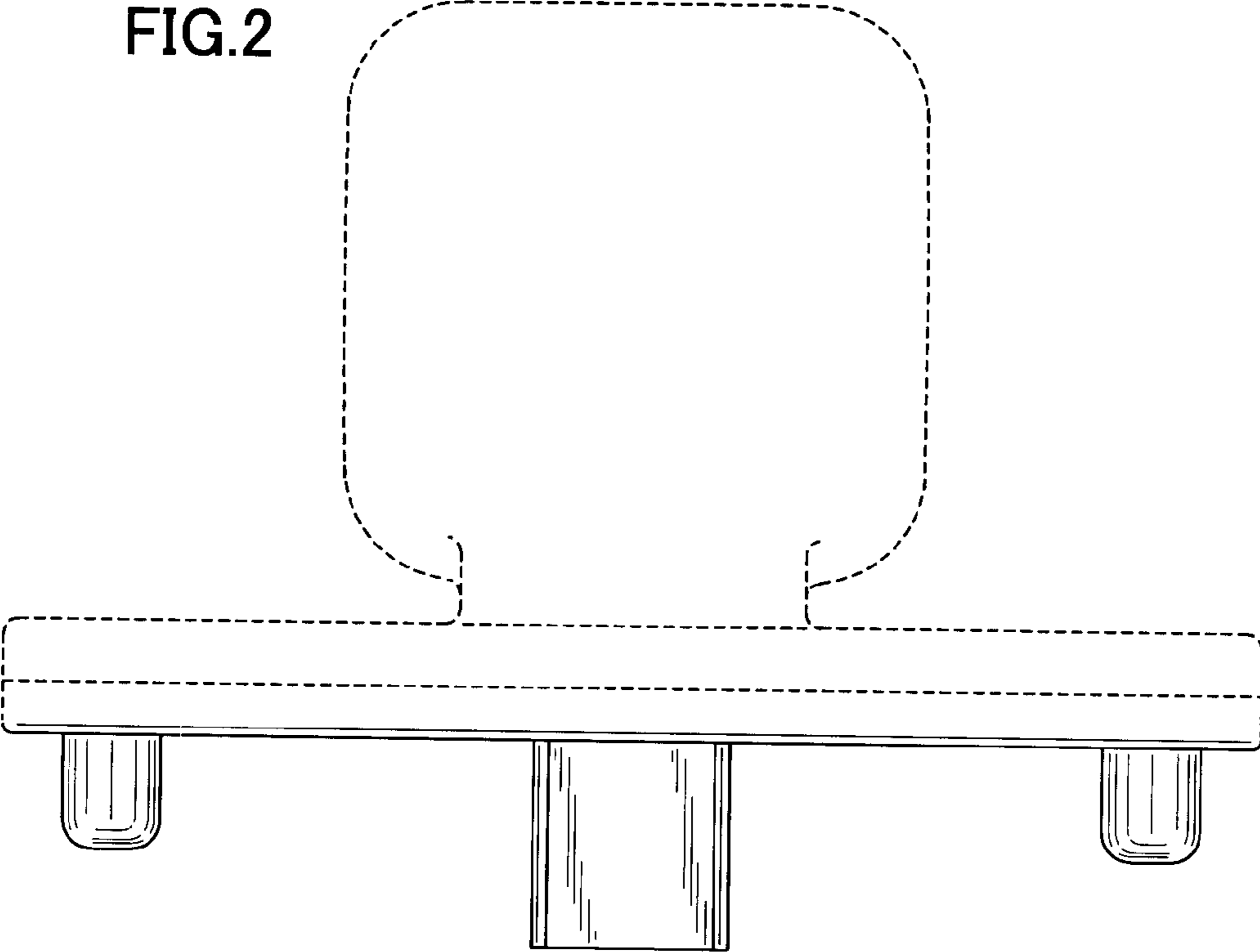


FIG.3

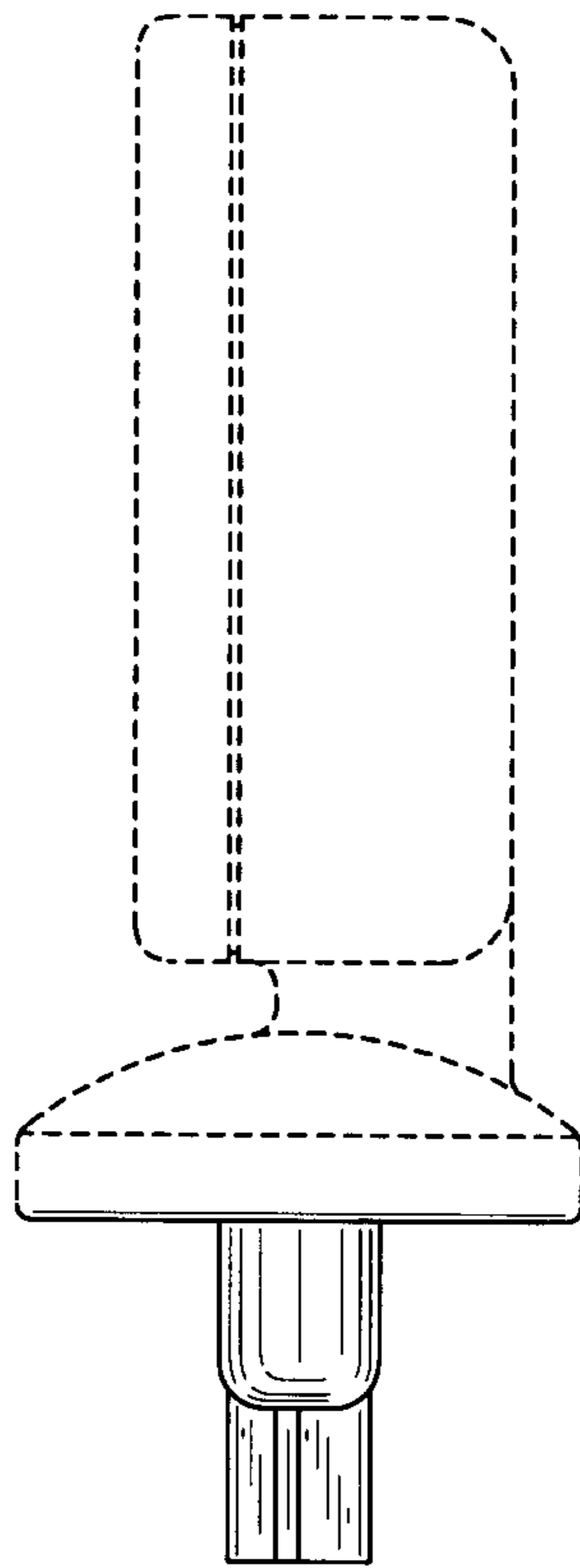
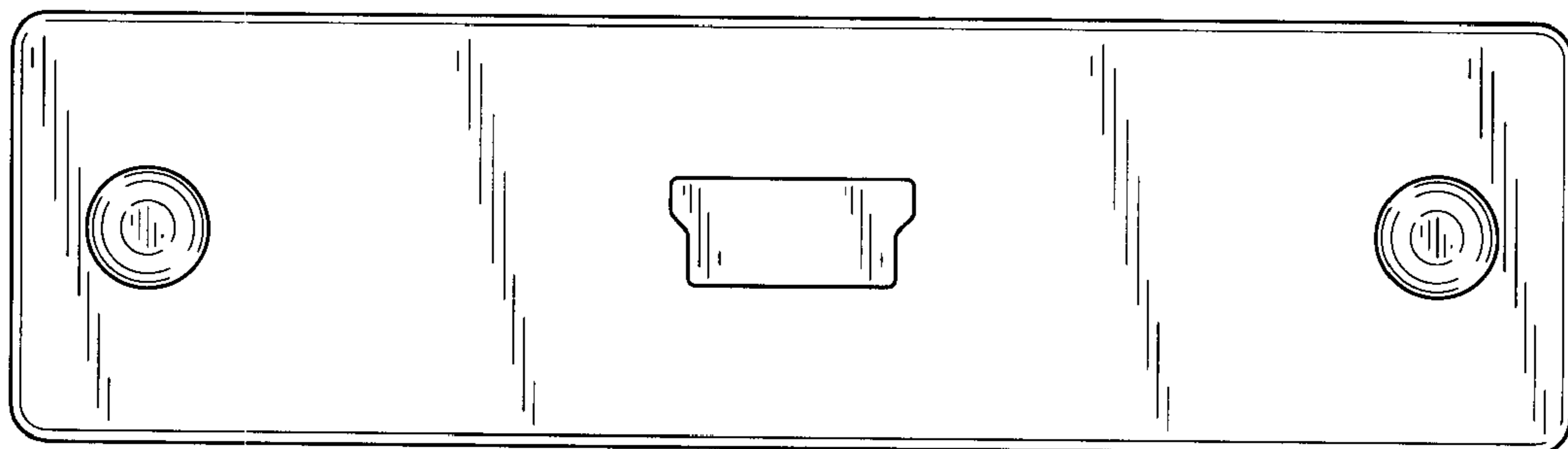


FIG.4



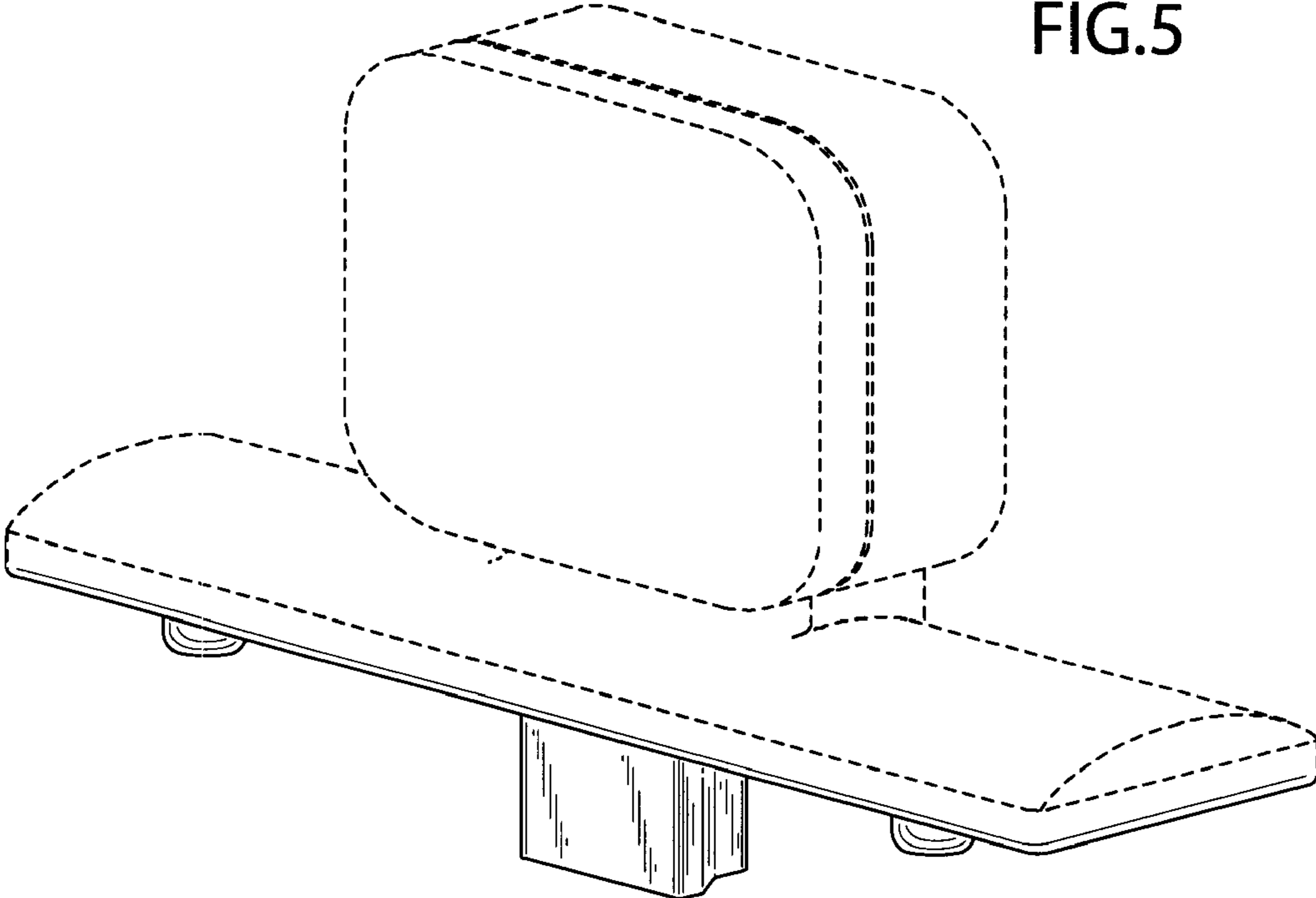


FIG. 5

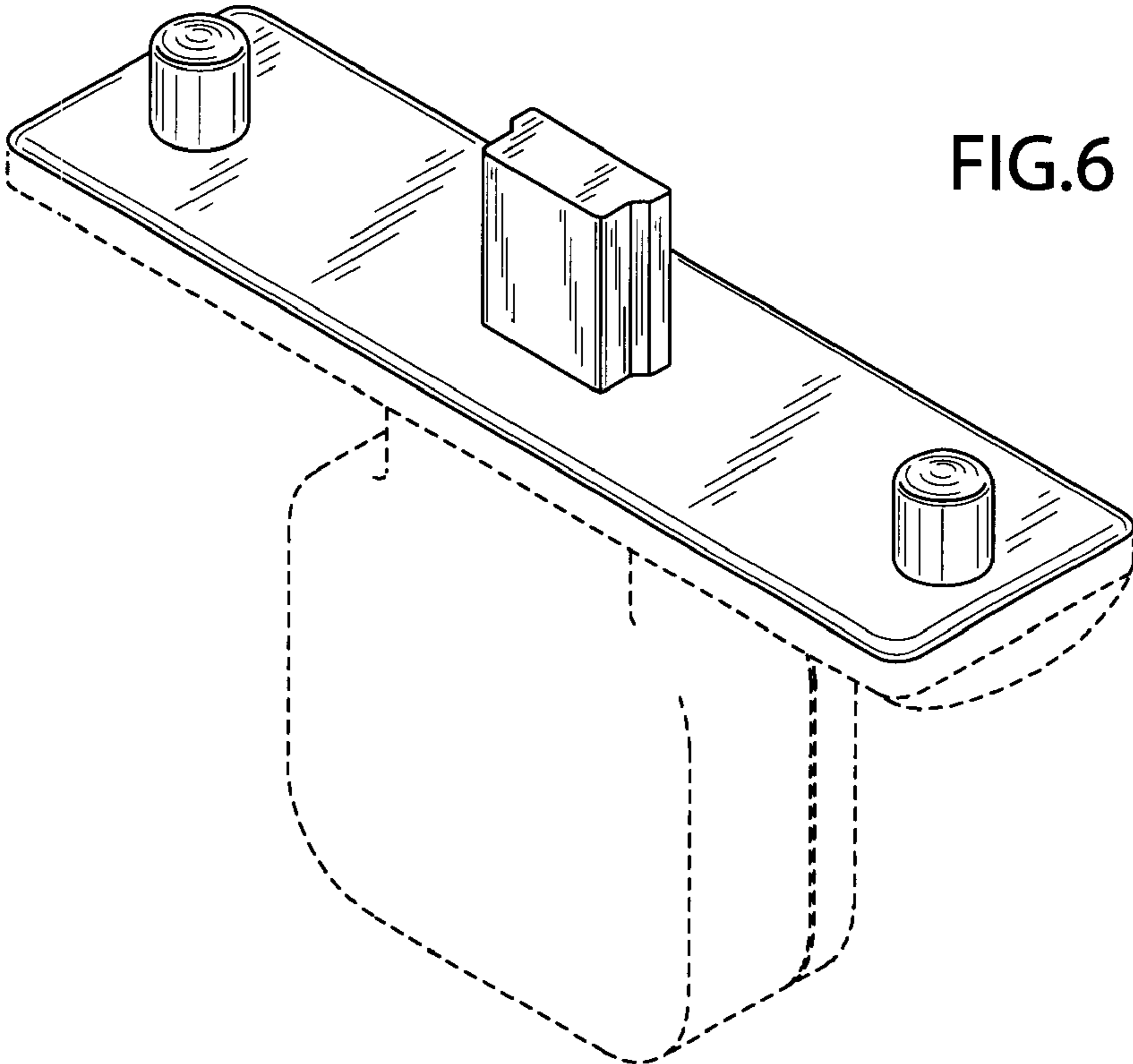


FIG. 6

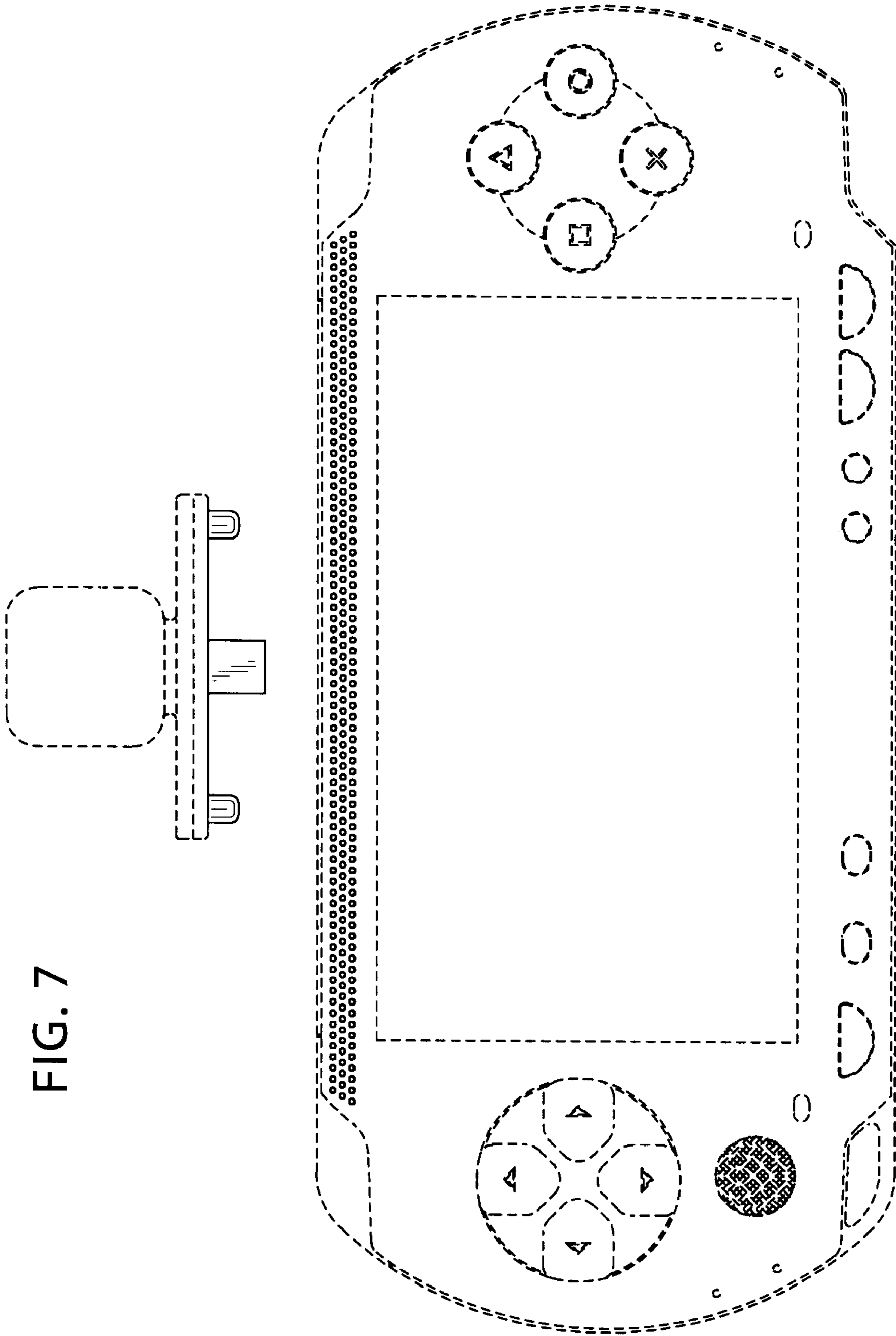


FIG. 7