



US00D532310S

(12) **United States Design Patent**  
**Yourist**

(10) **Patent No.:** **US D532,310 S**

(45) **Date of Patent:** **\*\* Nov. 21, 2006**

(54) **CONTAINER**

FOREIGN PATENT DOCUMENTS

(75) Inventor: **Sheldon Yourist**, York, PA (US)

GB 3000368 \* 9/2002

(73) Assignee: **Graham Packaging Co., L.P.**, York, PA (US)

\* cited by examiner

(\*\*) Term: **14 Years**

*Primary Examiner*—Ian Simmons

*Assistant Examiner*—Dana Sipos

(21) Appl. No.: **29/219,571**

(74) *Attorney, Agent, or Firm*—Venable LLP; James R. Burdett; Keith G. Haddaway

(22) Filed: **Dec. 20, 2004**

(57) **CLAIM**

(51) **LOC (8) Cl.** ..... **09-01**

The ornamental design for a container, as shown and described.

(52) **U.S. Cl.** ..... **D9/538**; D9/551; D9/558

**DESCRIPTION**

(58) **Field of Classification Search** ..... D9/516,  
D9/522, 530, 537–539, 541–542, 549–551,  
D9/556, 558, 560, 563–564, 569, 571–574,  
D9/763, 772–773, 776, 779; 215/379, 381–382,  
215/385; 220/660, 662, 669

FIG. 1 is a perspective view of a container according to the present invention;

FIG. 2 is a front view of a container according to the present invention, wherein the right side, left side, and back views are identical to the front view;

See application file for complete search history.

FIG. 3 is a side view of a container according to the present invention, taken along an edge;

(56) **References Cited**

U.S. PATENT DOCUMENTS

D213,544 S	*	3/1969	Koenigsberg	.....	D9/551
D216,541 S	*	2/1970	Koenigsberg	.....	D9/538
D227,658 S	*	7/1973	Mascia et al.	.....	D9/551
D227,872 S	*	7/1973	Stanley	.....	D9/773
D228,444 S	*	9/1973	Mascia et al.	.....	D9/551
4,256,231 A	*	3/1981	Cioc et al.	.....	215/12.2
D280,486 S	*	9/1985	Reay	.....	D9/500
D471,815 S	*	3/2003	Gnann et al.	.....	D9/503

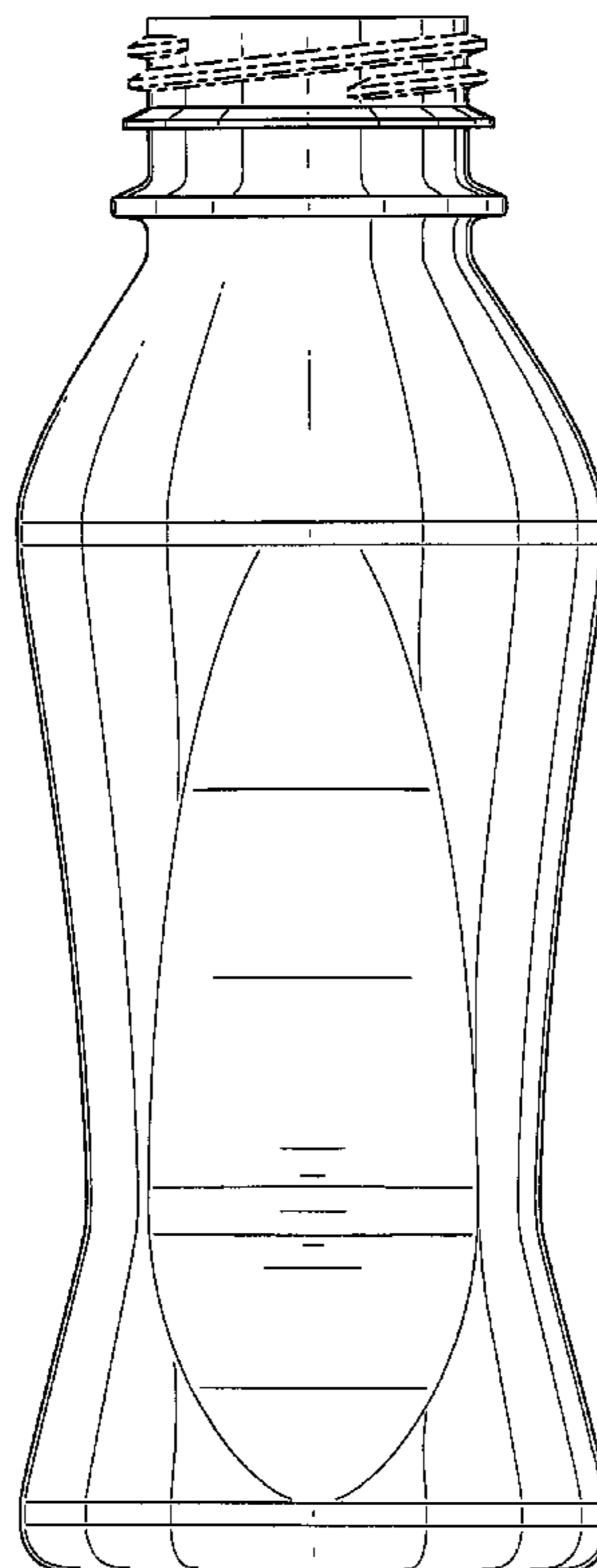
FIG. 4 a top view of a container according to the present invention;

FIG. 5 is a bottom view of a container according to the present invention; and,

FIG. 6 is a top perspective view of a container according to the present invention.

The broken lines shown in the drawings are for illustrative purposes only and form no part of the claimed design.

**1 Claim, 6 Drawing Sheets**



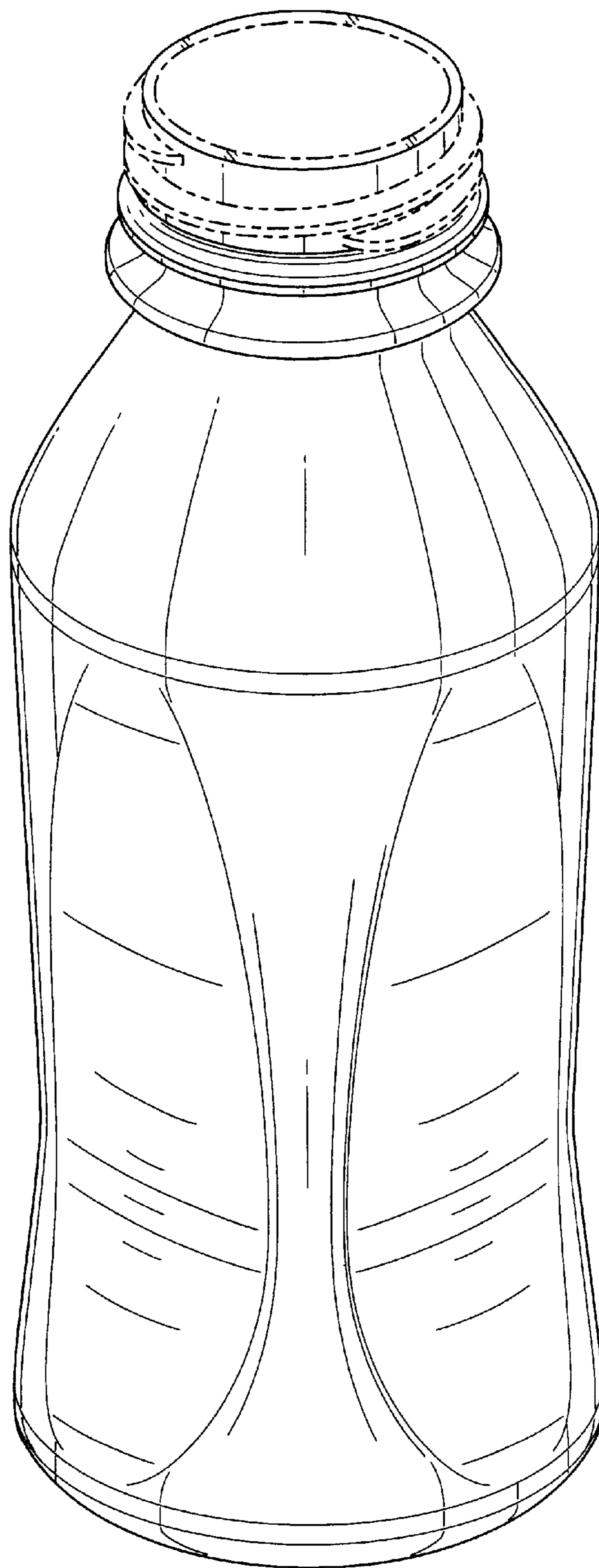


FIG. 1

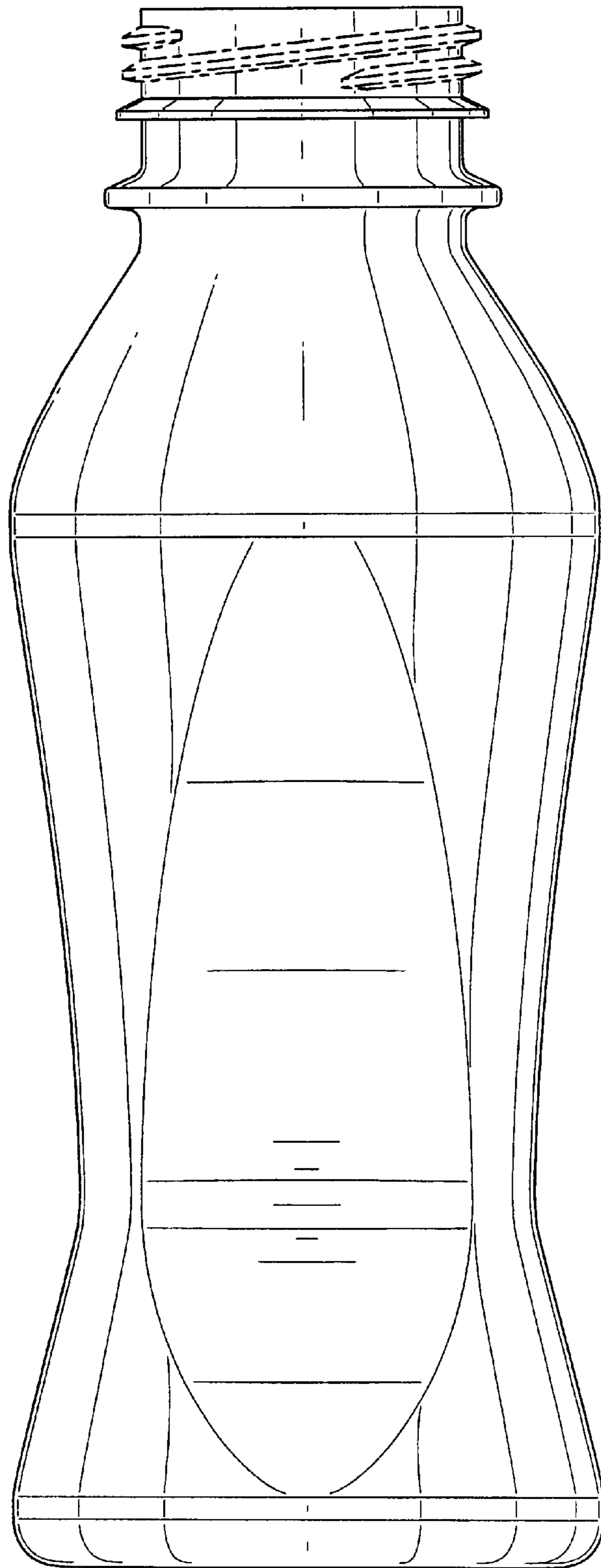


FIG. 2

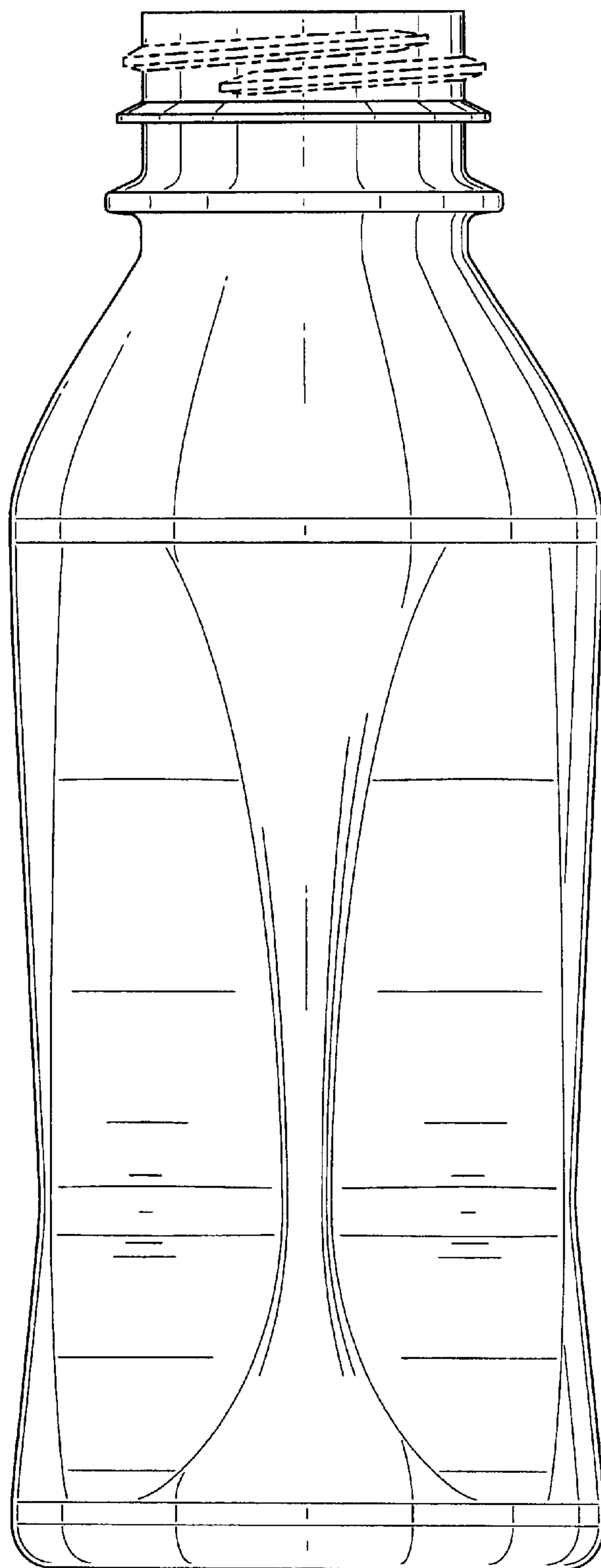


FIG. 3

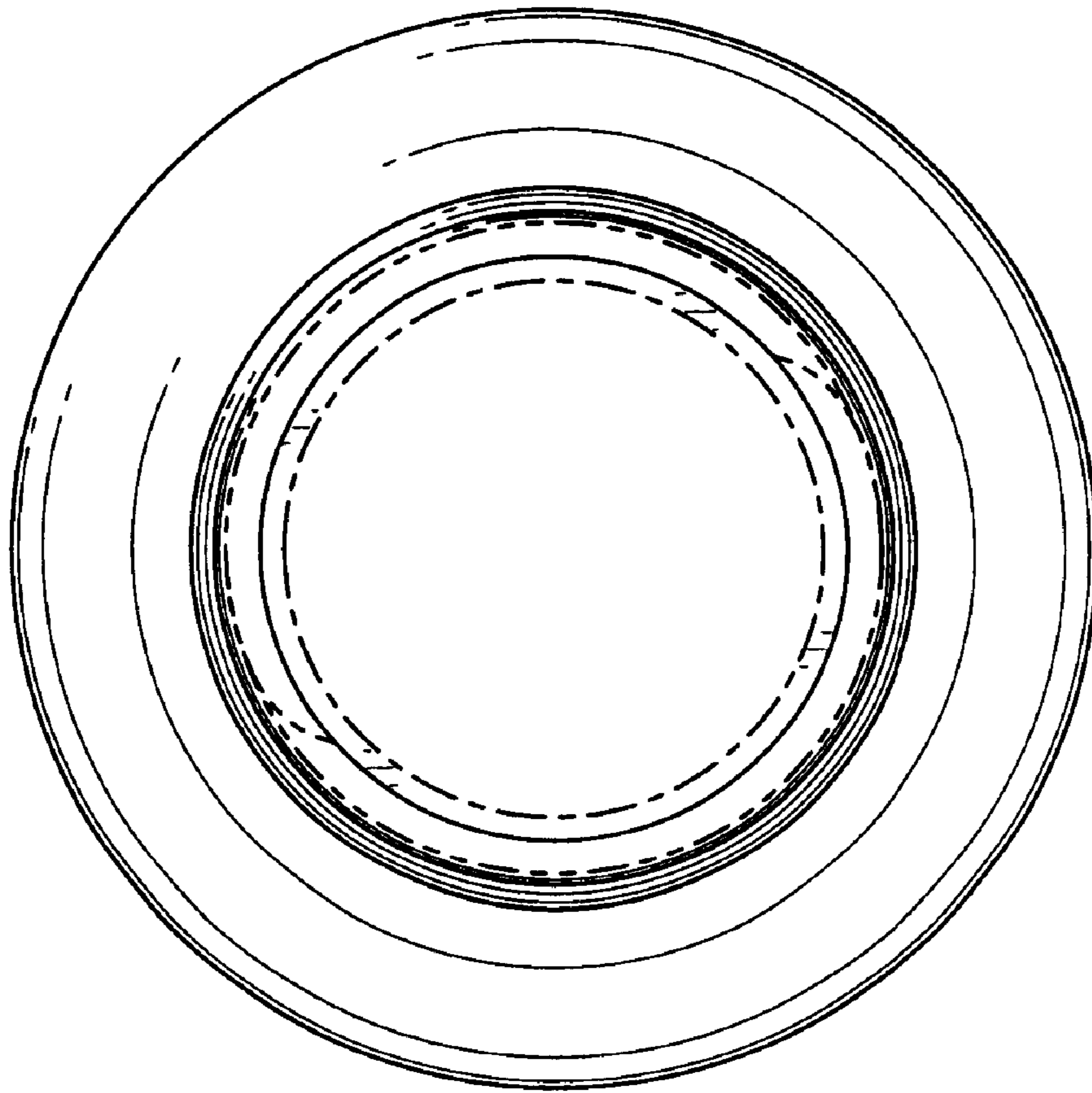


FIG. 4

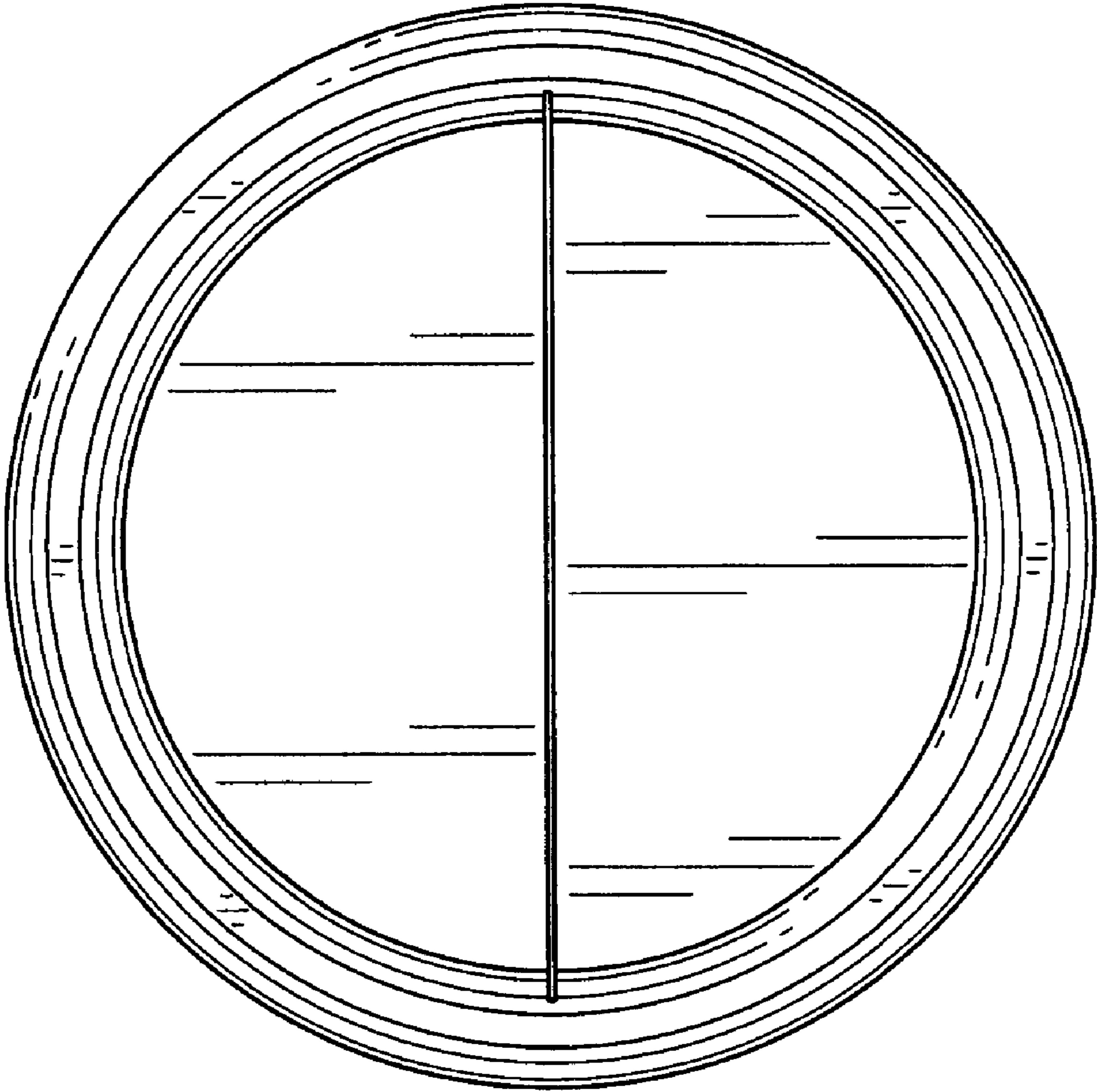


FIG. 5

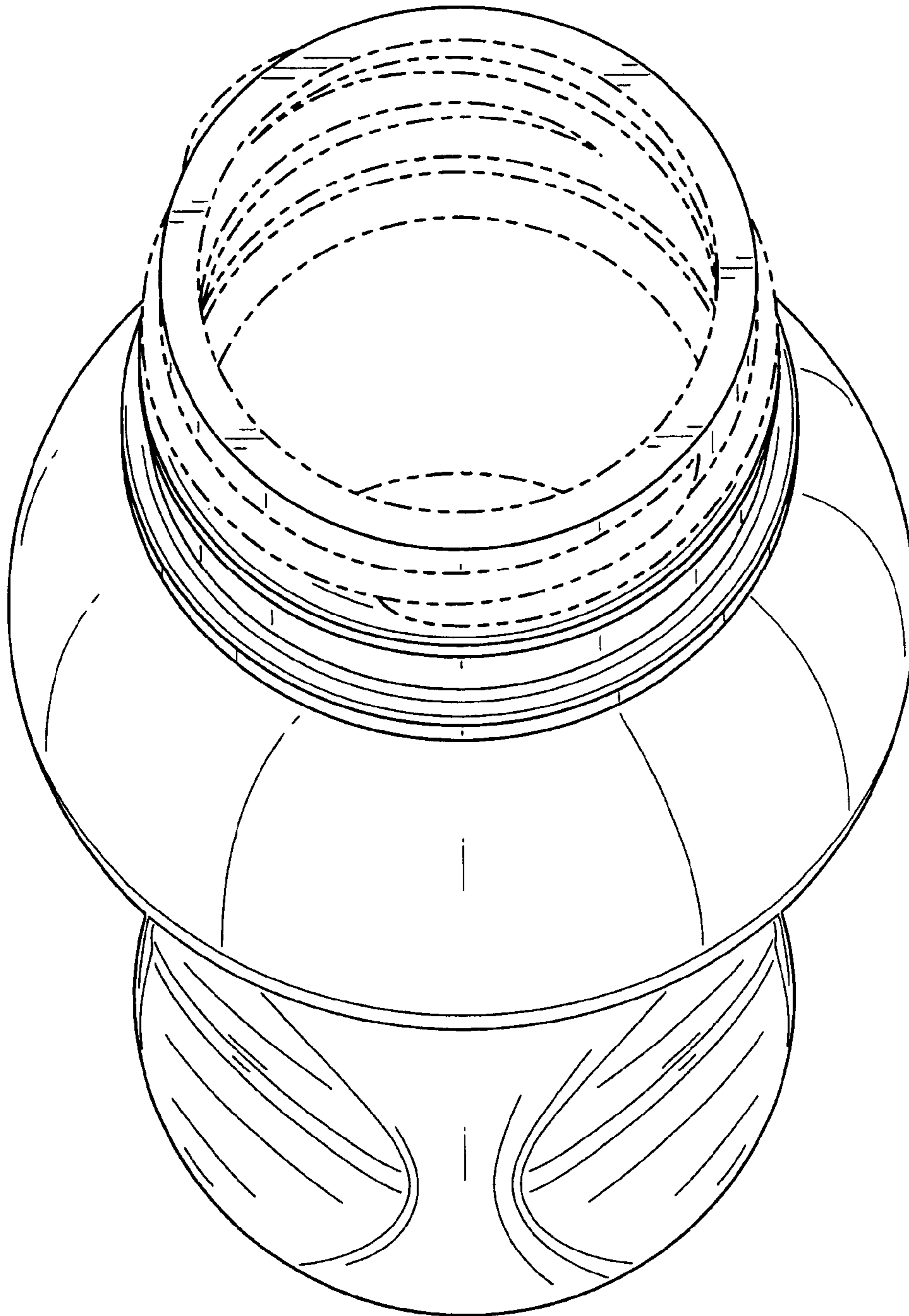


FIG. 6