



US00D532303S

(12) **United States Design Patent**
Decottignies

(10) **Patent No.:** **US D532,303 S**

(45) **Date of Patent:** **** Nov. 21, 2006**

(54) **PUSHBUTTON DISPENSER CAP**

D289,144 S * 4/1987 Geiger D9/448
D515,421 S * 2/2006 Rossignol D9/448

(75) Inventor: **Laurent Decottignies**, Cergy (FR)

* cited by examiner

(73) Assignee: **Airlessystems**, Charleval (FR)

Primary Examiner—Robert M. Spear

Assistant Examiner—Susan Bennett Hattan

(**) Term: **14 Years**

(74) *Attorney, Agent, or Firm*—Sughrue Mion, PLLC

(21) Appl. No.: **29/227,974**

(22) Filed: **Apr. 19, 2005**

(57) **CLAIM**

(30) **Foreign Application Priority Data**

The ornamental design for a pushbutton dispenser cap, as shown.

Oct. 19, 2004 (EM) 000241716

DESCRIPTION

(51) **LOC (8) Cl.** **09-07**

(52) **U.S. Cl.** **D9/448**

(58) **Field of Classification Search** D9/503,
D9/454, 449, 448, 447, 444, 434; D6/542;
222/556–569, 505, 380, 321.7, 321.6, 518,
222/509; 215/222, 214; 251/339; 267/161
See application file for complete search history.

FIG. 1 is a perspective view of the top, front and right side of a pushbutton dispenser cap showing my new design;

FIG. 2 is a front elevational view thereof;

FIG. 3 is a rear elevational view thereof;

FIG. 4 is a right side elevational view thereof;

FIG. 5 is a left side elevational view thereof; and,

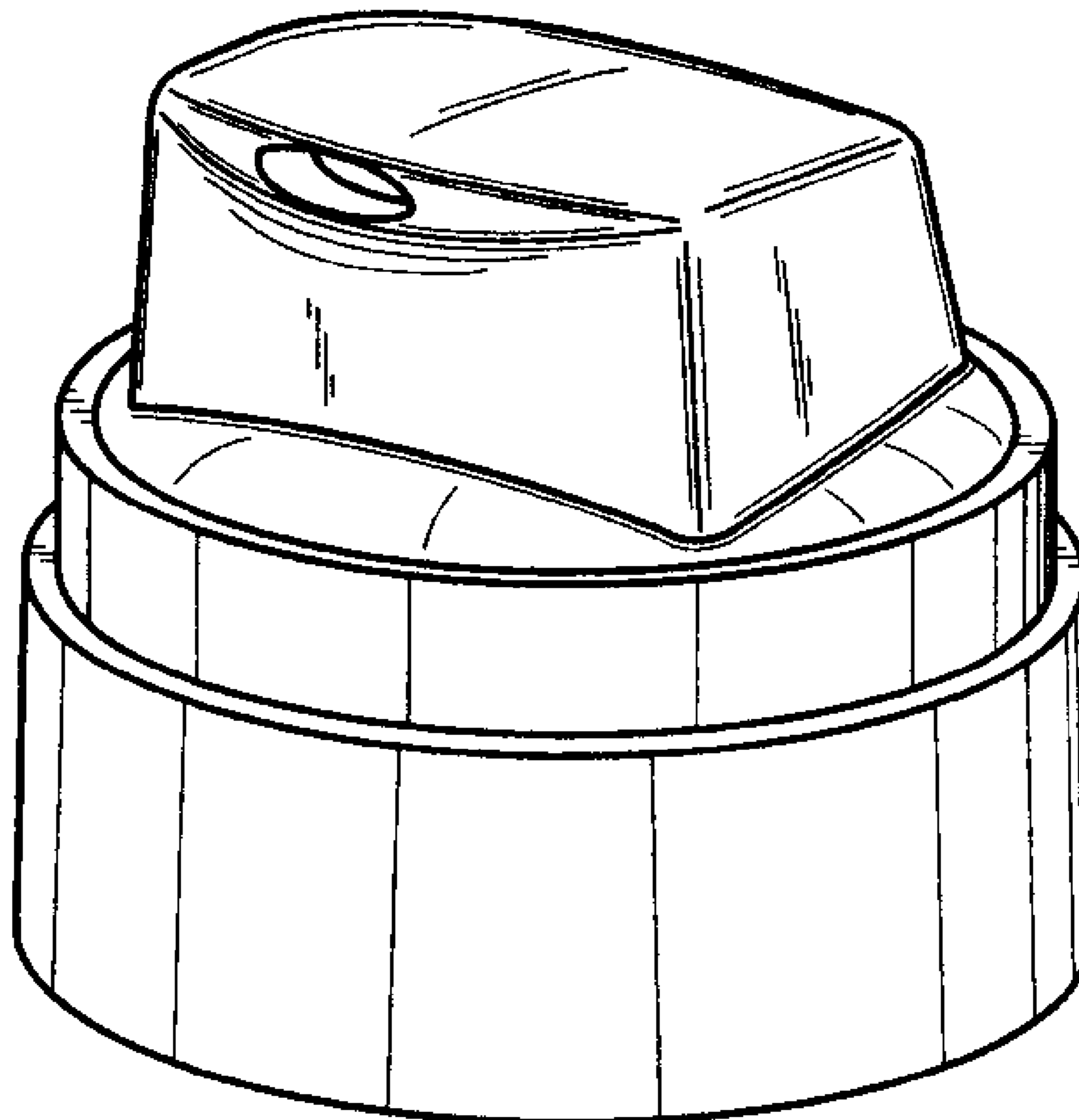
FIG. 6 is a top plan view thereof.

(56) **References Cited**

U.S. PATENT DOCUMENTS

D169,819 S * 6/1953 Huling D6/487

1 Claim, 4 Drawing Sheets



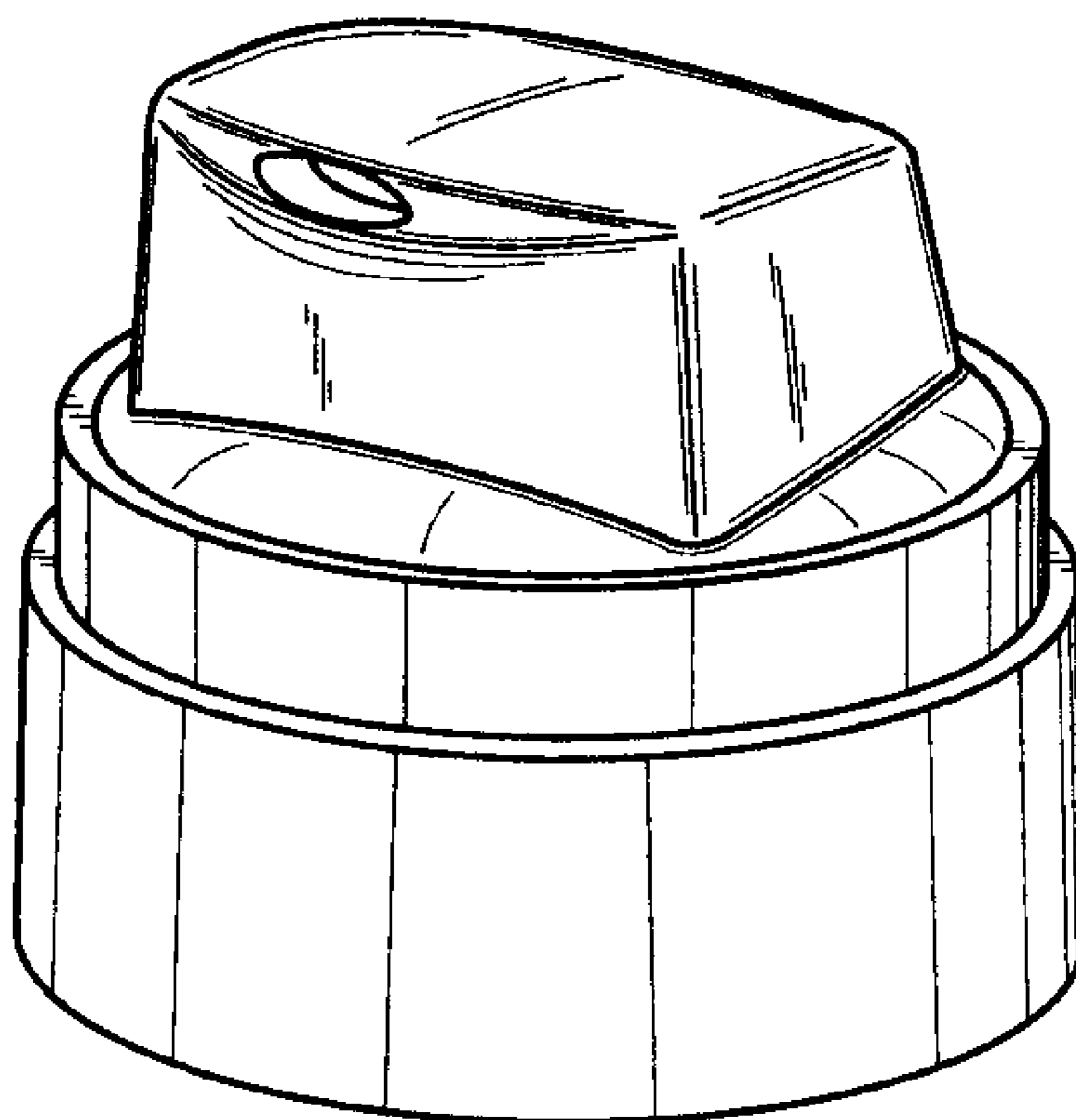


Fig. 1

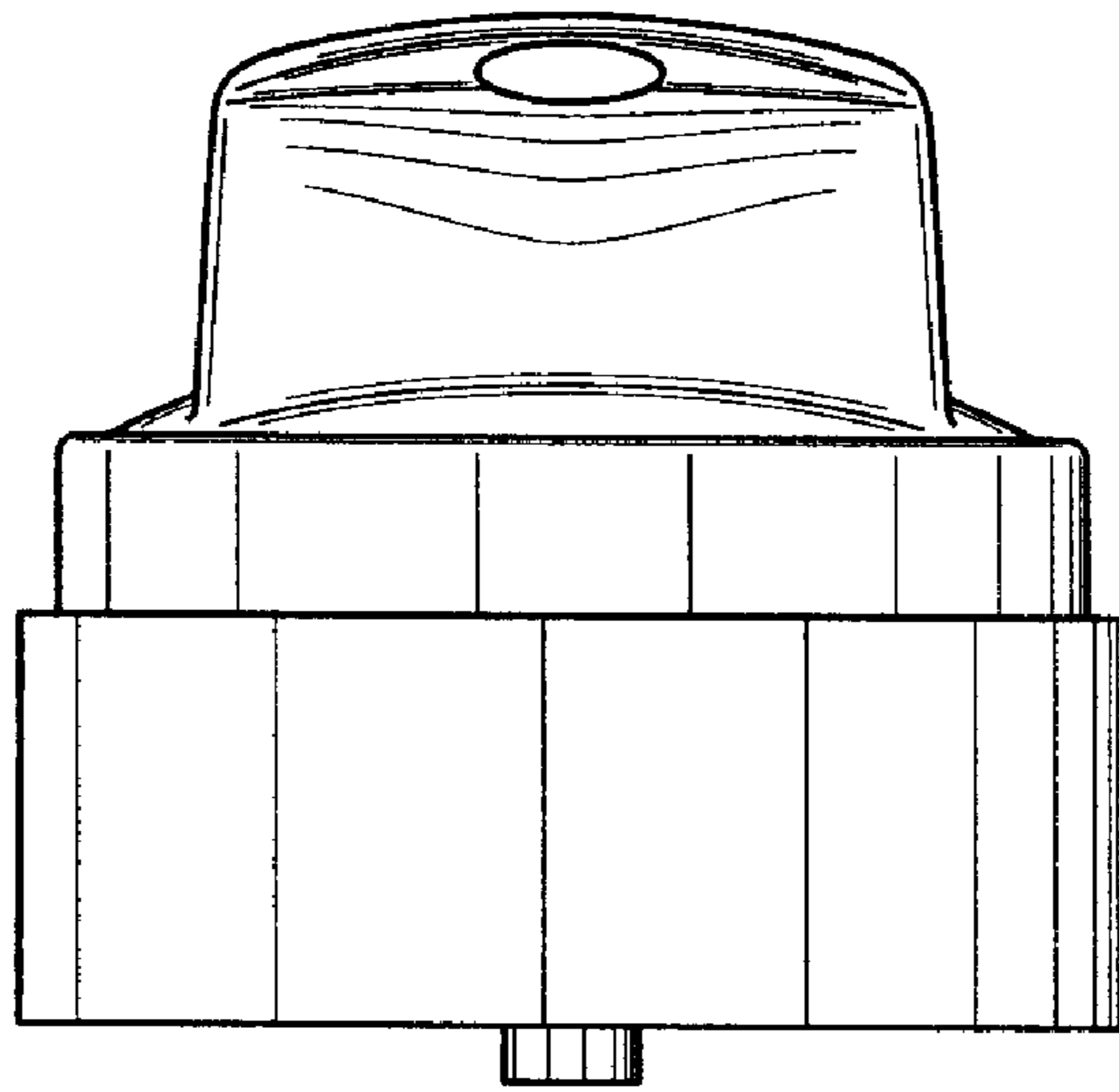


Fig. 2

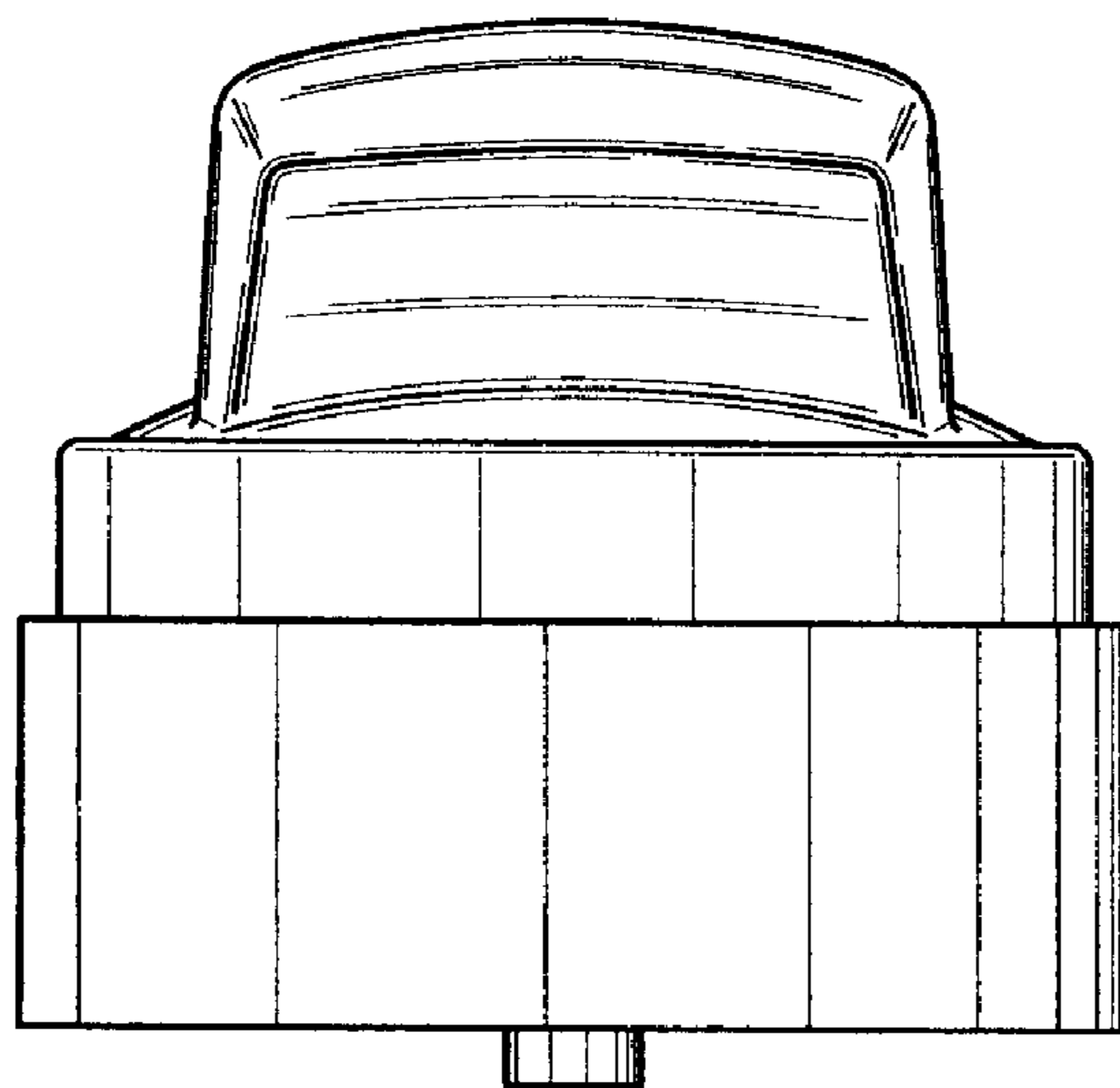


Fig. 3

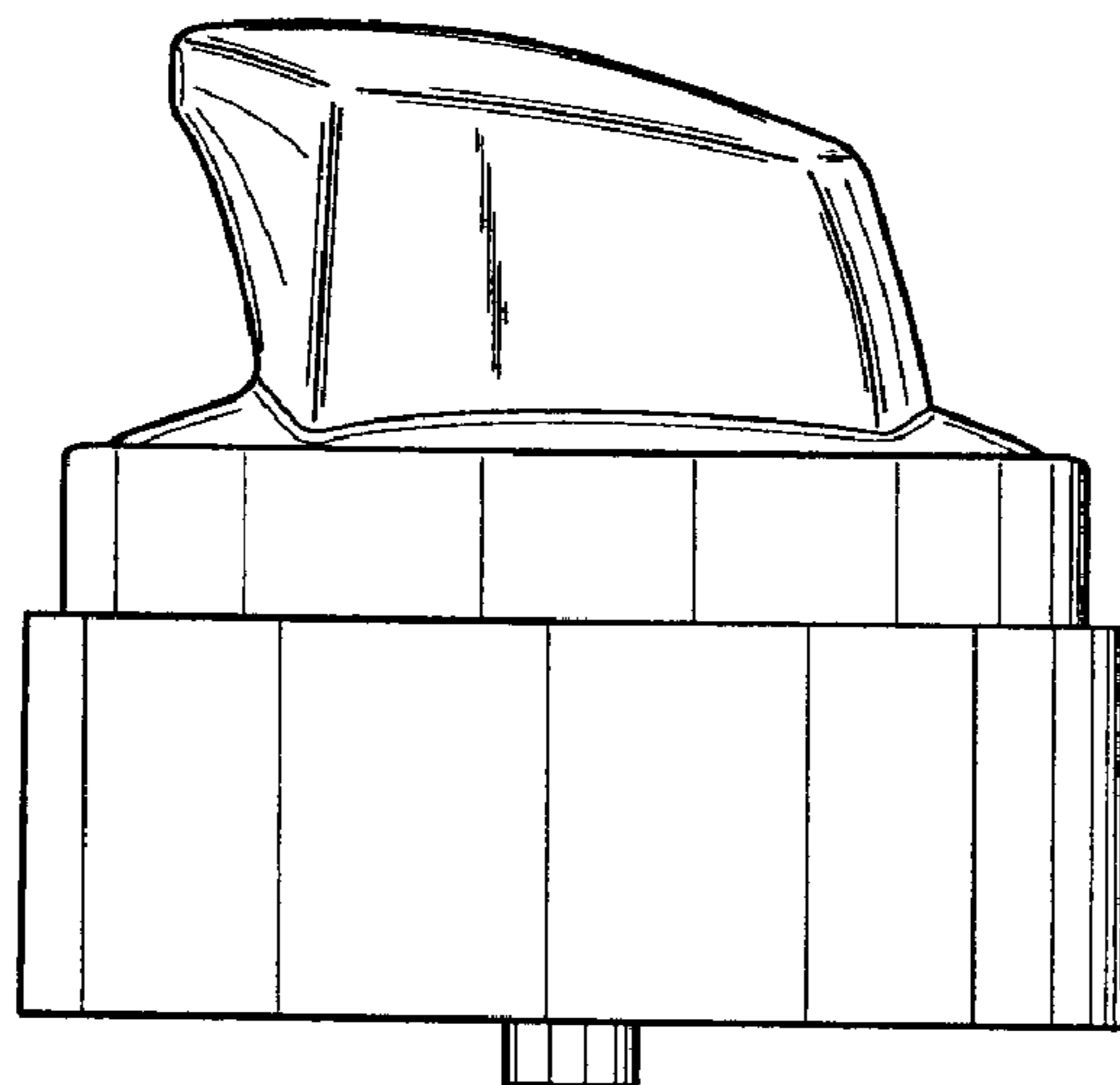


Fig. 4

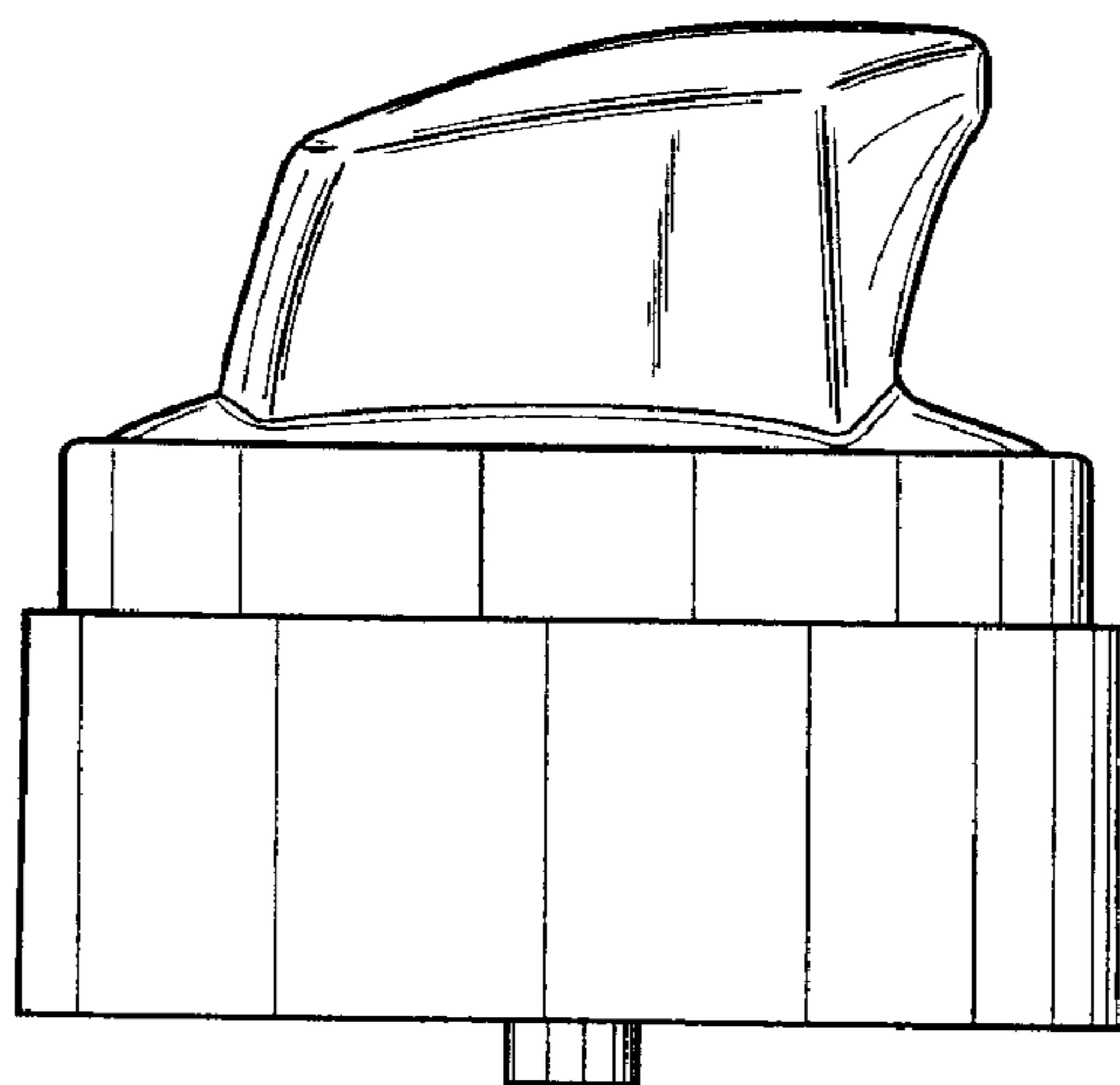


Fig. 5

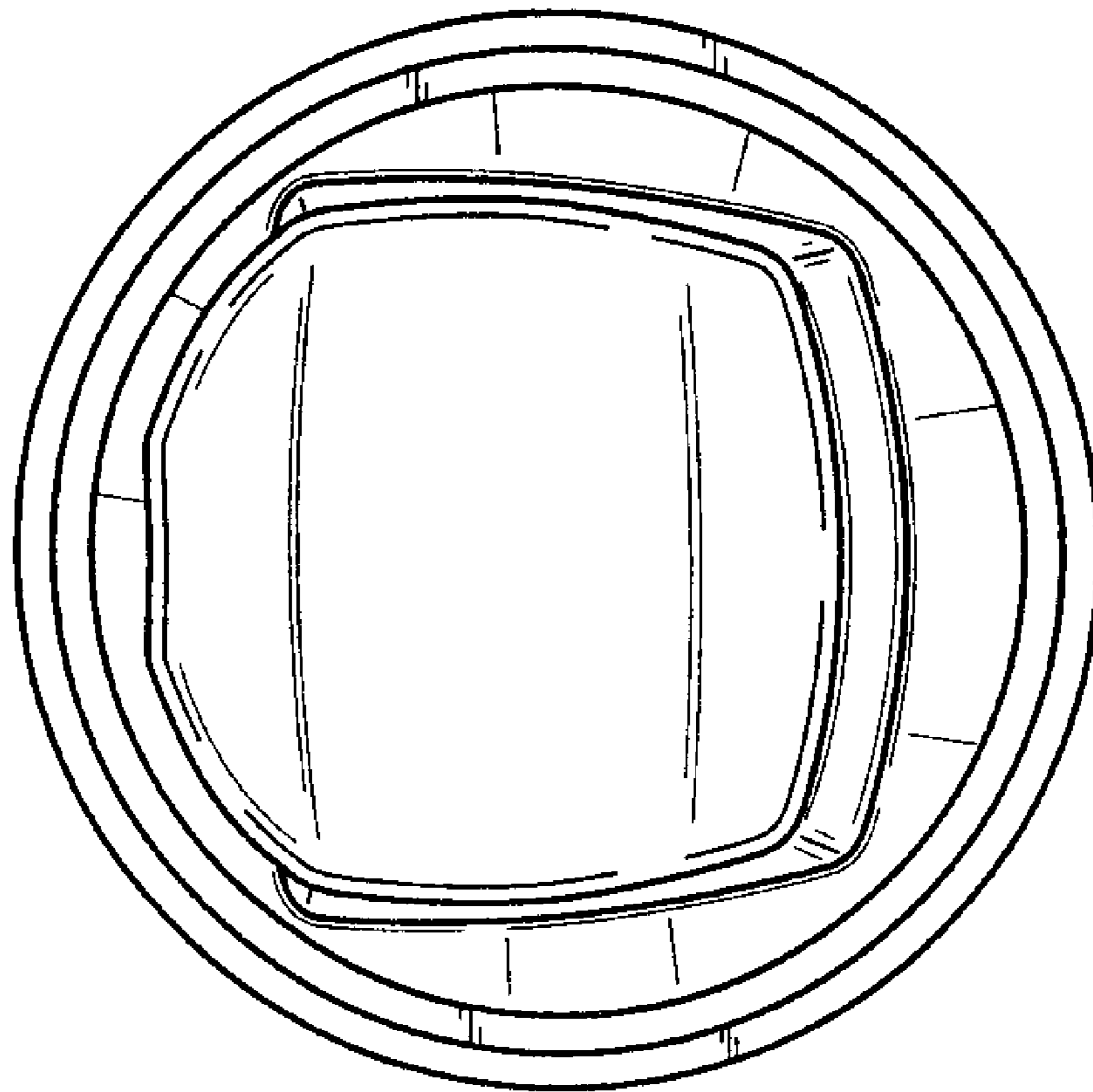


Fig. 6