



US00D532299S

(12) **United States Design Patent**
Kuo

(10) **Patent No.:** **US D532,299 S**

(45) **Date of Patent:** **** Nov. 21, 2006**

(54) **ATOMIZER HEAD**

D454,306 S * 3/2002 Sweeton et al. D9/448

(76) Inventor: **Roy Kuo**, 235 Chung-Ho Box 8-24,
Taipei (TW)

* cited by examiner

Primary Examiner—Robert M. Spear
Assistant Examiner—Susan Bennett-Hattan

(**) Term: **14 Years**

(57) **CLAIM**

(21) Appl. No.: **29/200,986**

The ornamental design for an atomizer head, as shown and described.

(22) Filed: **Mar. 9, 2004**

(51) **LOC (8) Cl.** **09-07**

DESCRIPTION

(52) **U.S. Cl.** **D9/448**

(58) **Field of Classification Search** D9/685,
D9/682, 448, 447, 434; D23/229, 227, 226,
D23/223, 213; 239/448, 331; 222/385, 383.3,
222/383.2, 323, 383.1, 324, 304, 1, 153.11-14
See application file for complete search history.

FIG. 1 is a perspective view of an atomizer head showing my new design;

FIG. 2 is a left elevational view thereof;

FIG. 3 is a rear elevational view thereof;

FIG. 4 is a front elevational view thereof;

FIG. 5 is a right elevational view thereof;

FIG. 6 is a top plan view thereof; and,

FIG. 7 is a bottom plan view thereof.

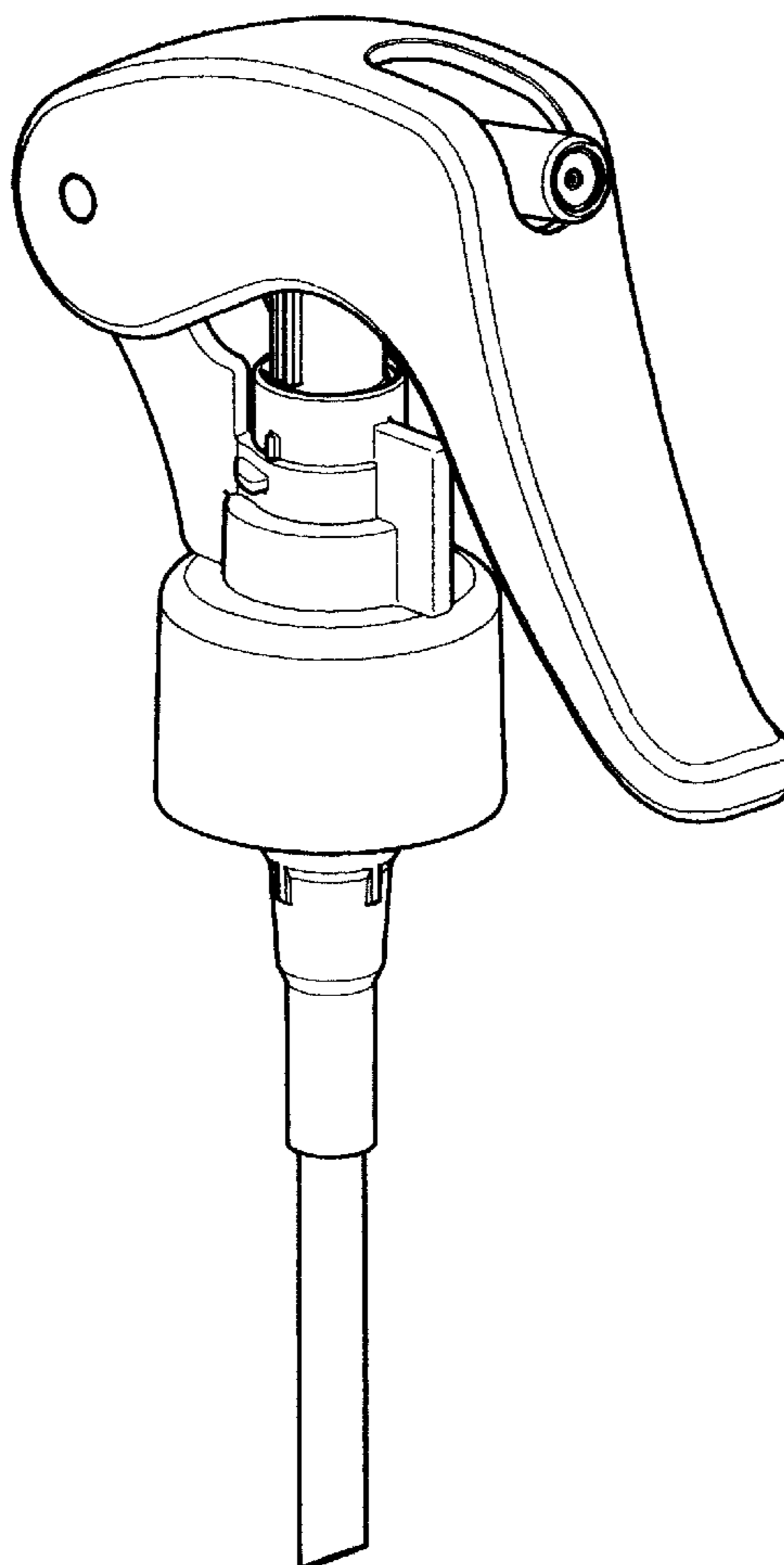
The broken lines in the drawings are for illustrative purposes only and ofrm no part of the claimed design.

(56) **References Cited**

U.S. PATENT DOCUMENTS

- D314,916 S * 2/1991 Brooks D9/448
- D331,365 S * 12/1992 Davis D9/447
- D342,898 S * 1/1994 Cane D9/447

1 Claim, 5 Drawing Sheets



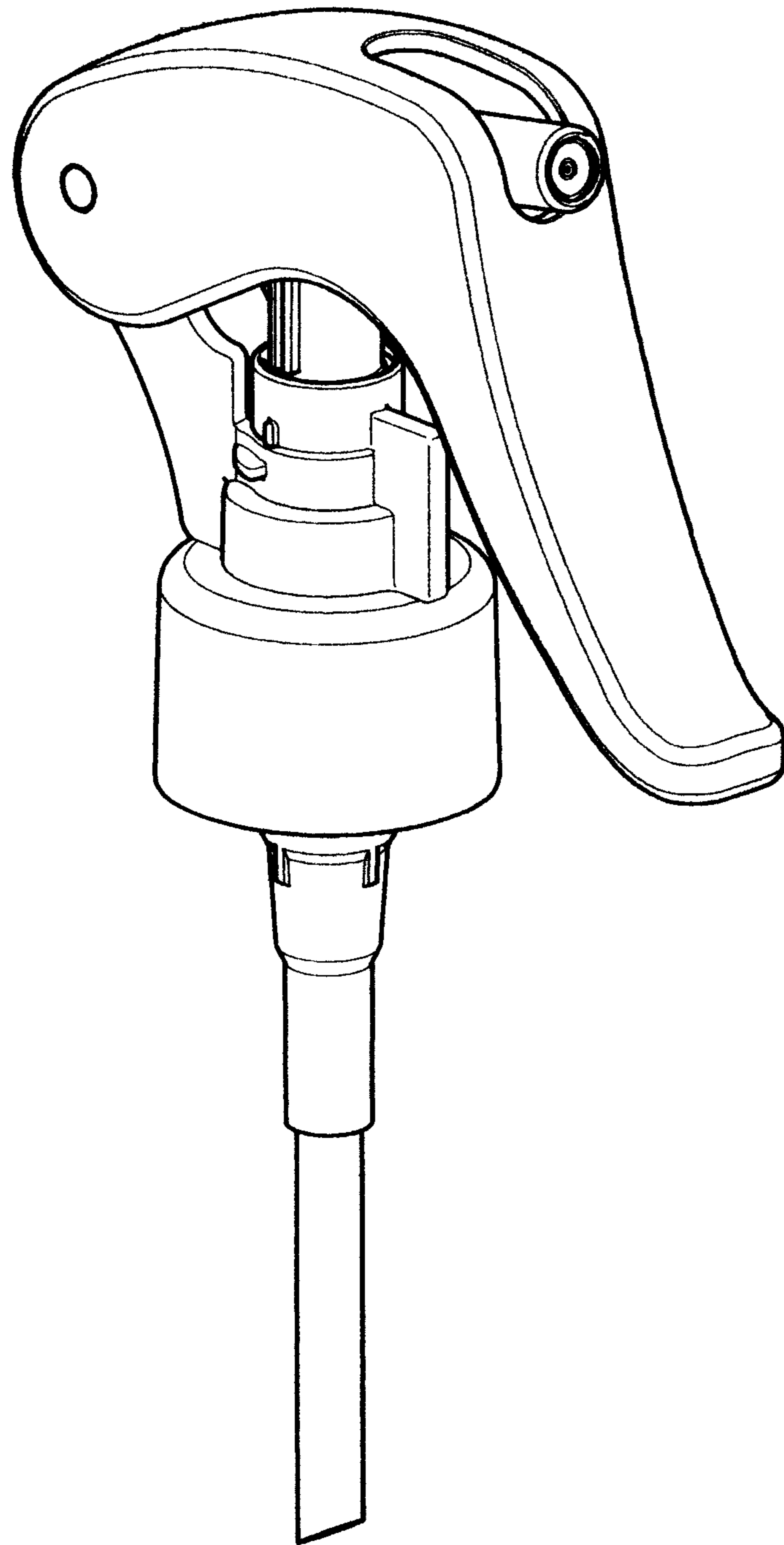


FIG. 1

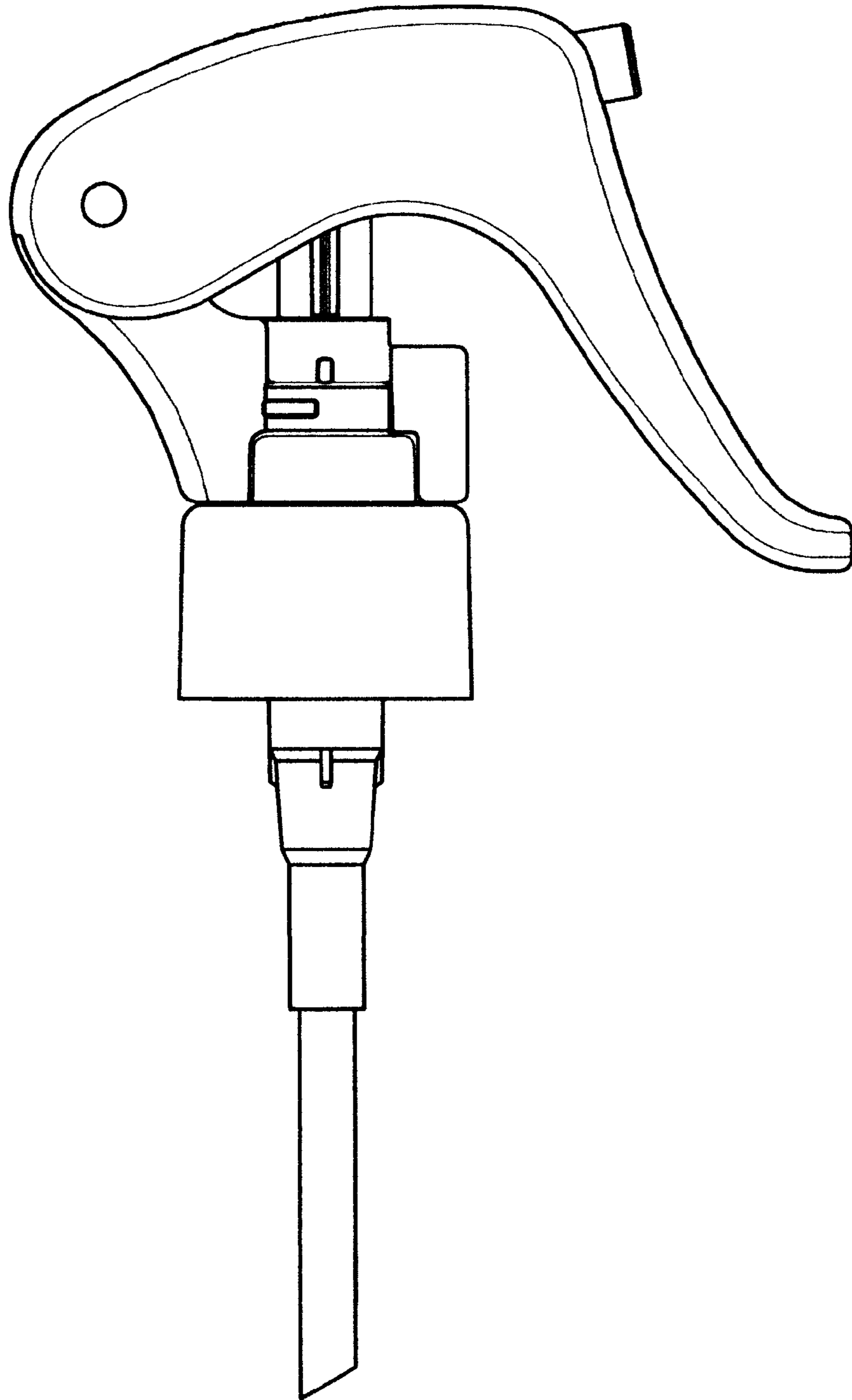


FIG. 2

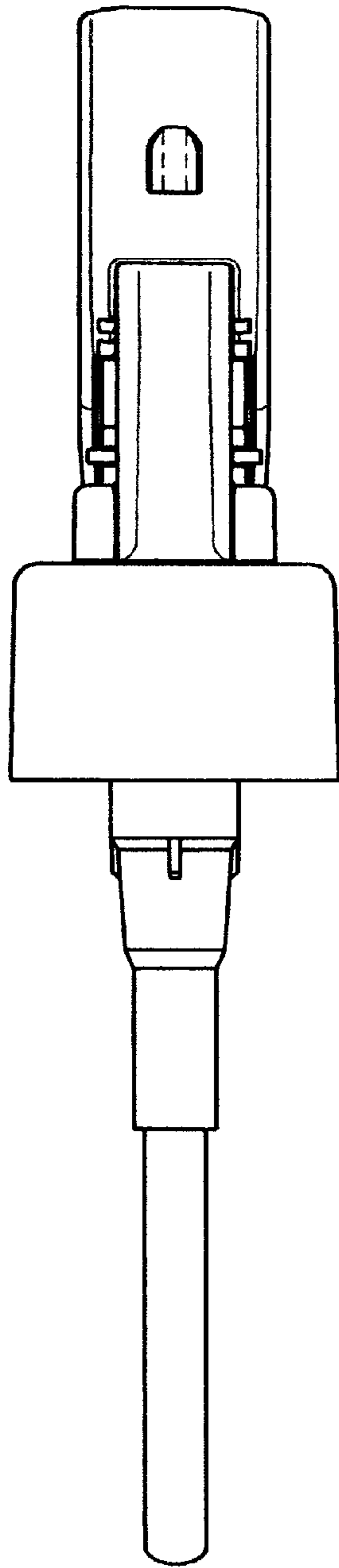


FIG. 3

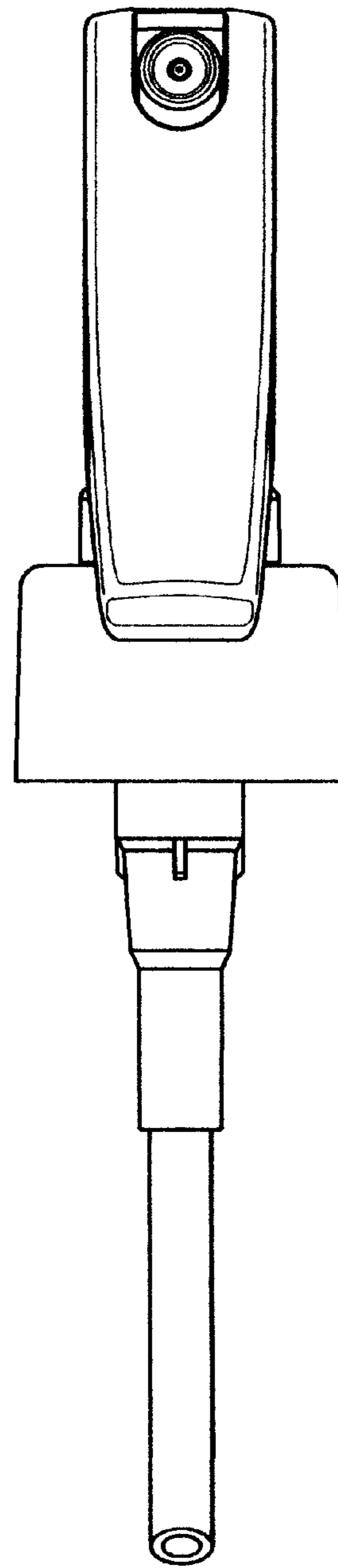


FIG. 4

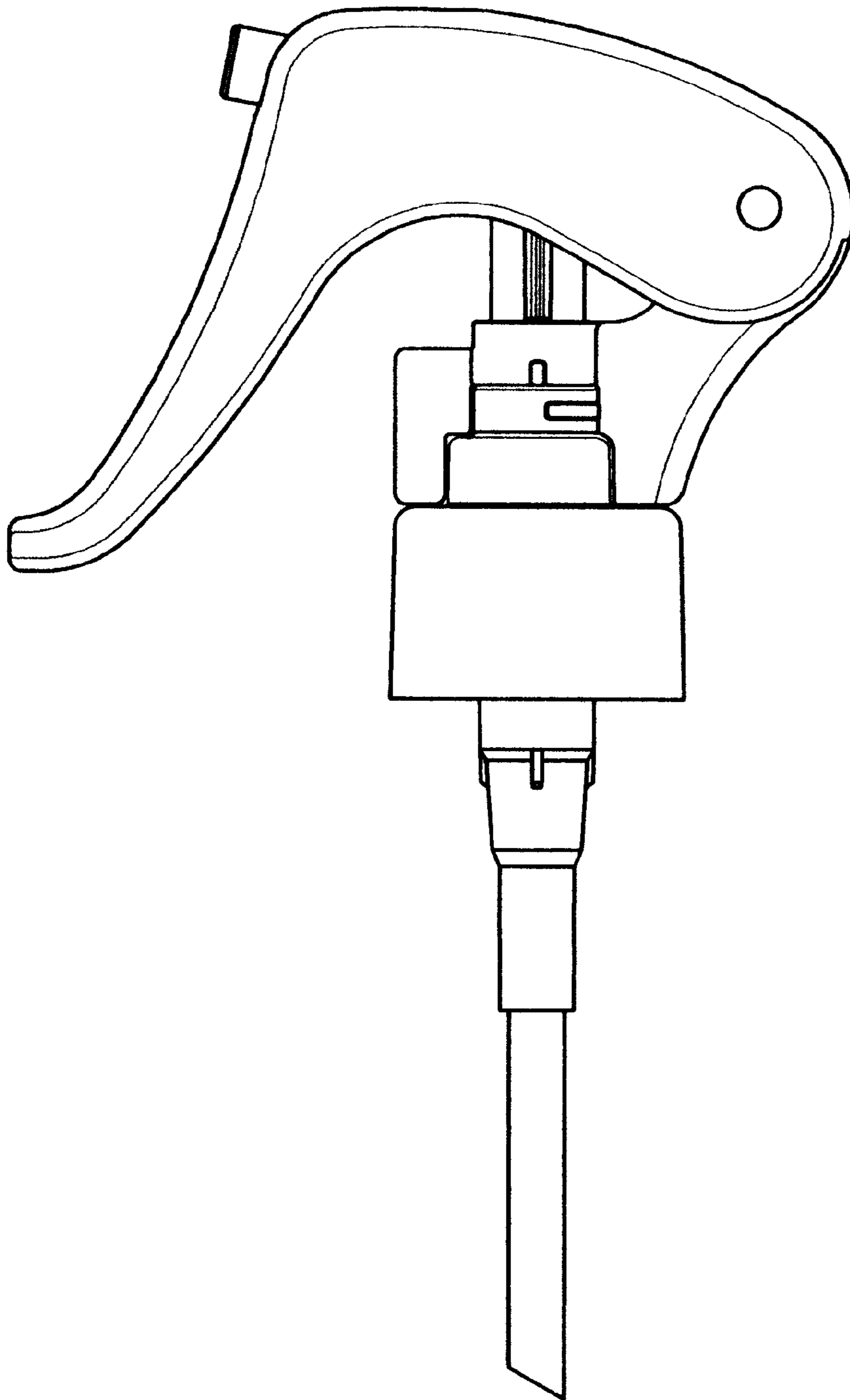


FIG. 5

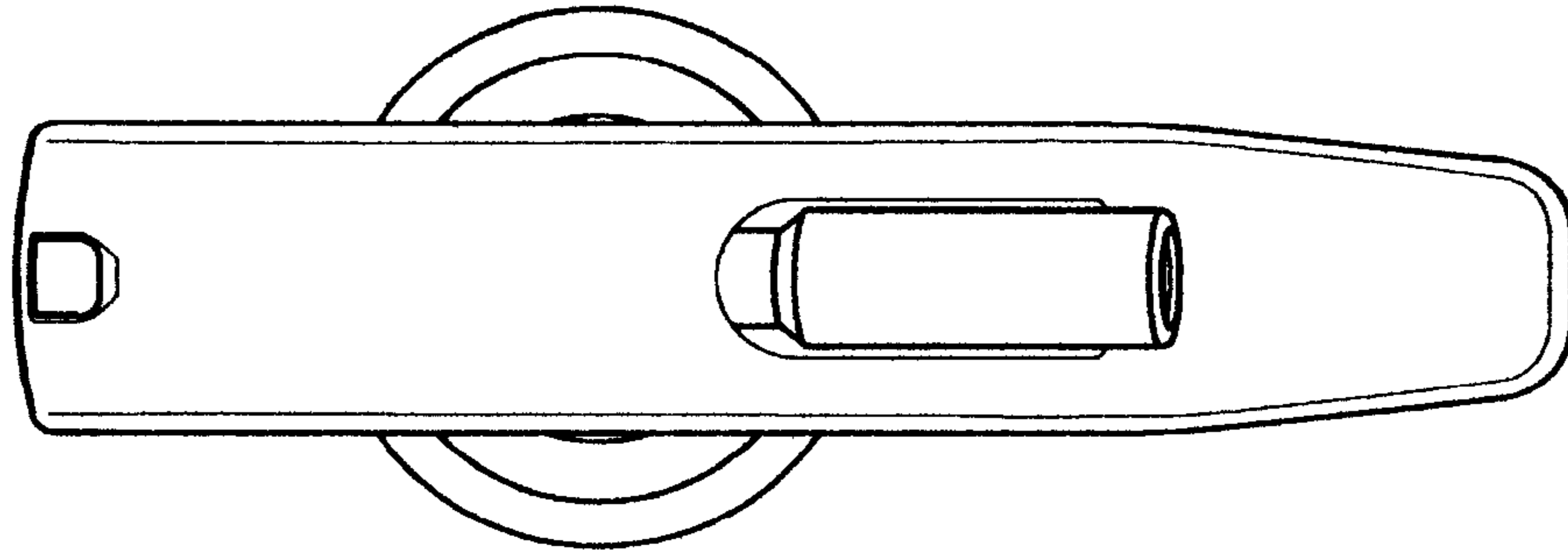


FIG. 6

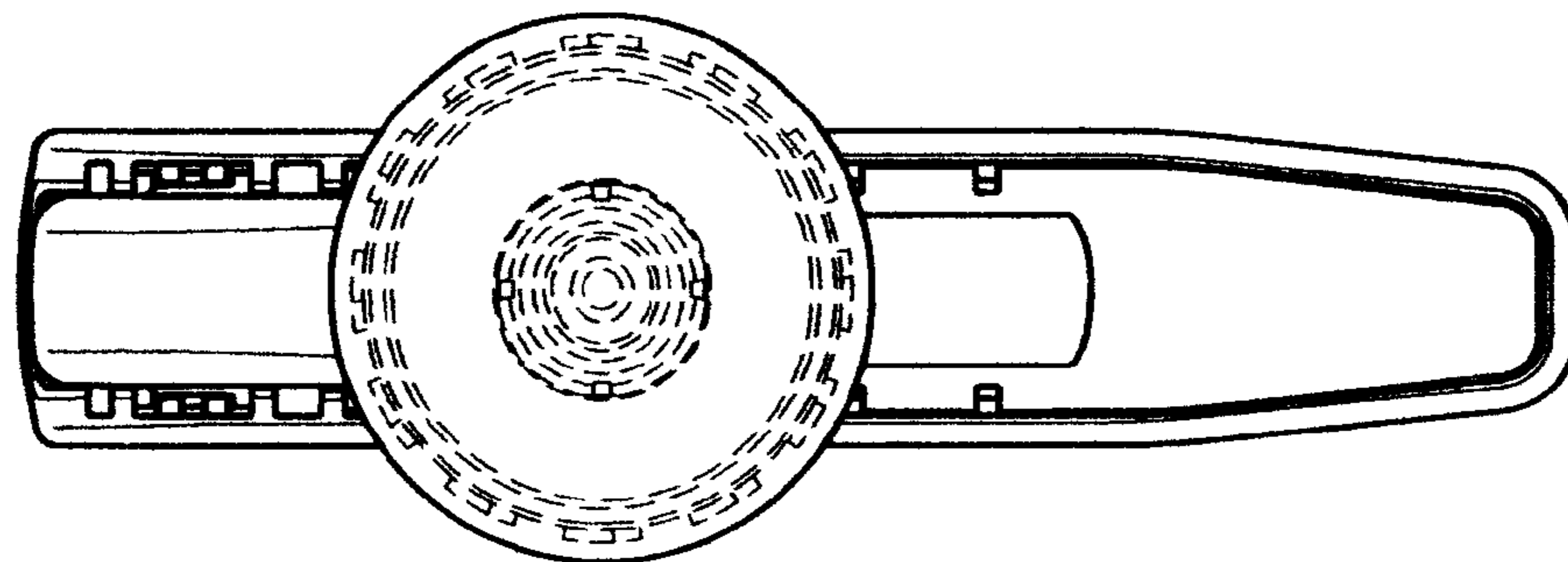


FIG. 7