



US00D532298S

(12) **United States Design Patent** (10) **Patent No.:** **US D532,298 S**
Vogel (45) **Date of Patent:** **** Nov. 21, 2006**

(54) **CLOSURE FOR A CONTAINER**
(75) Inventor: **William C. Vogel**, Mequon, WI (US)
(73) Assignee: **Gateway Plastics, Inc.**, Mequon, WI (US)
(**) Term: **14 Years**
(21) Appl. No.: **29/217,726**
(22) Filed: **Nov. 20, 2004**
(51) **LOC (8) Cl.** **09-07**
(52) **U.S. Cl.** **D9/447; D9/449**
(58) **Field of Classification Search** D9/450, D9/449, 447, 445, 440, 438, 435, 434; D7/596, D7/591; D32/29.1; 222/556, 546, 498, 480; 220/254.1-254.9, 835, 253; 215/344, 253, 215/245, 237, 235, 216
See application file for complete search history.

(56) **References Cited**
U.S. PATENT DOCUMENTS
181,615 A 8/1876 Albertson
199,896 A 2/1878 Burger
785,116 A 3/1905 Perry
847,726 A 3/1907 Brannon
893,469 A 7/1908 Essmuller

(Continued)
FOREIGN PATENT DOCUMENTS
EP 0 631 942 A1 1/1995
FR 1153553 3/1958
GB 2120219 11/1983

OTHER PUBLICATIONS
Cap of a type understood to be commercially available from Weatherchem Corporation (six photographs; one sheet).
Cap of a type understood to be commercially available from Weatherchem Corporation (seven photographs; one sheet).
Cap of a type understood to be commercially available from Weatherchem Corporation (seven photographs; one sheet).

Cap of a type understood to be commercially available from Weatherchem Corporation (seven photographs; one sheet).
Cap of a type understood to be commercially available from Weatherchem Corporation (seven photographs; one sheet).
Cap of a type understood to be commercially available from Weatherchem Corporation (six photographs; one sheet).
Cap of a type understood to be commercially available from Weatherchem Corporation (six photographs; one sheet).
Cap of a type understood to be commercially available from Kraft Foods North America, Inc. (six photographs; one sheet).
Cap of a type understood to be commercially available and having two flaps with two dispensing openings (six photographs; one sheet).
Cap of a type understood to be commercially available from Weatherchem Corporation (seven photographs; one sheets).
Cap of a type understood to be commercially available from Kraft Food North America, Inc. (fourteen photographs; one sheet).

(Continued)

Primary Examiner—Robert M. Spear
Assistant Examiner—Susan Bennett Hattan
(74) *Attorney, Agent, or Firm*—Foley & Lardner LLP

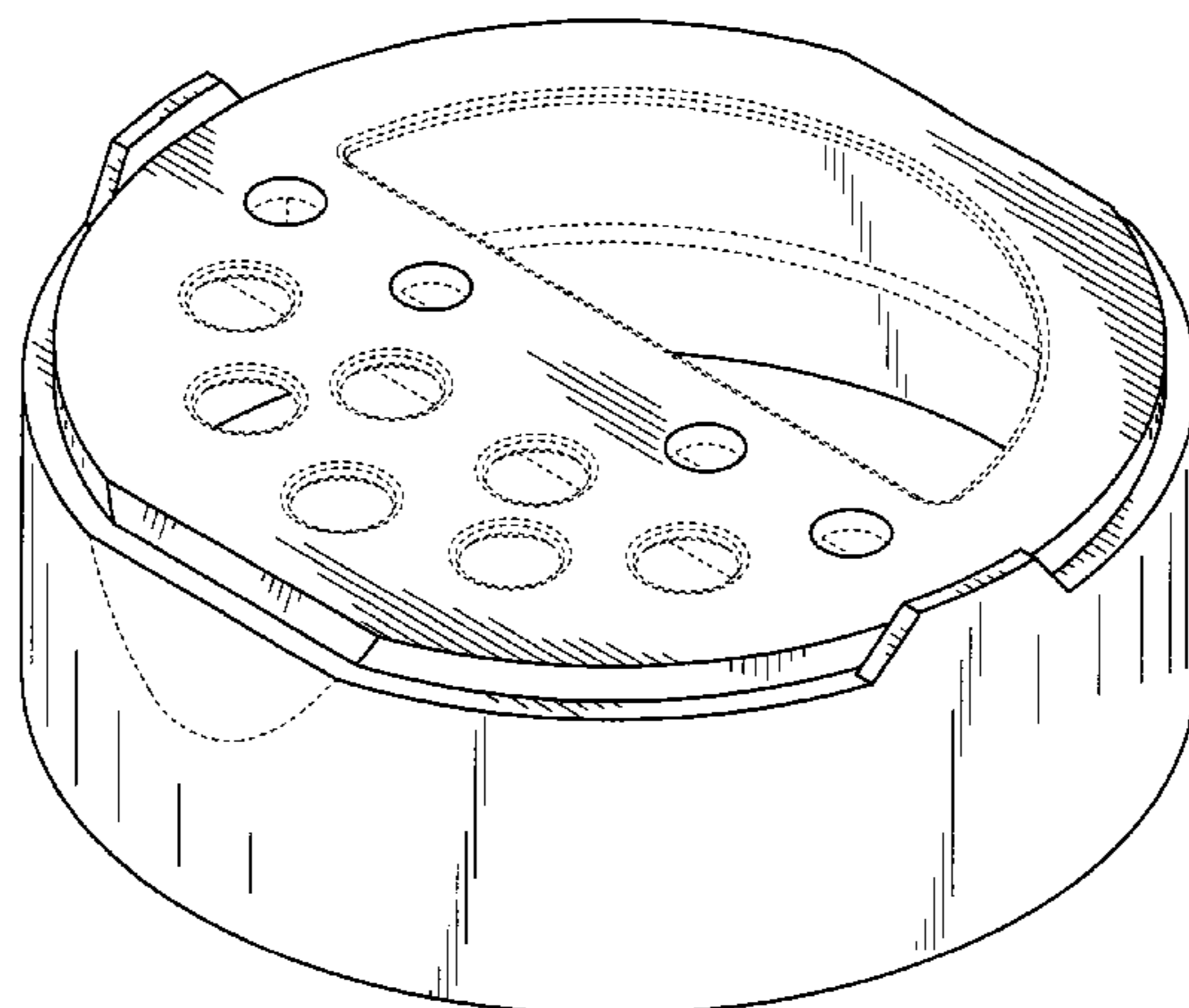
(57) **CLAIM**

We claim the ornamental design for a closure for a container, as shown and described.

DESCRIPTION

FIG. 1 is a top perspective view of a closure for a container; FIG. 2 is a top perspective view of the design of FIG. 1; FIG. 3 is a bottom perspective view of the design of FIG. 1; FIG. 4 is a bottom perspective view of the design of FIG. 1; FIG. 5 is a top view of the design of FIG. 1; FIG. 6 is a bottom view of the design of FIG. 1; FIG. 7 is a right side view of the design of FIG. 1, the left side view being a mirror image; FIG. 8 is a front view of the design of FIG. 1; and, FIG. 9 is a rear view of the design of FIG. 1. The broken lines in the drawings are for illustrative purposes only and form no part of the claimed design.

1 Claim, 7 Drawing Sheets



US D532,298 S

U.S. PATENT DOCUMENTS							
947,025	A	1/1910	Pearl et al.	3,952,912	A	4/1976	Perry
1,330,365	A	2/1920	Alexander	3,966,080	A	6/1976	Bittel
1,773,553	A	8/1930	Taylor et al.	4,022,352	A	5/1977	Pehr
2,094,600	A	10/1937	Hothersall	4,029,033	A	6/1977	Kerwin et al.
2,108,063	A	2/1938	Hothersall	4,029,202	A	6/1977	Lasich et al.
D110,872	S	8/1938	Lewis	4,030,630	A	6/1977	Yealy
2,177,589	A	10/1939	Jacker	D245,750	S	9/1977	Maclean
2,276,635	A	3/1942	Weber	4,059,201	A	11/1977	Foster
2,388,738	A	11/1945	Gudheim	4,069,942	A	1/1978	Marshall et al.
2,562,647	A	7/1951	Shaver	D247,475	S	3/1978	Newman
2,576,416	A	11/1951	Randlett	4,082,201	A	4/1978	Bittel
2,625,306	A	1/1953	Murphy	D248,204	S	* 6/1978	Daenen D7/591
2,690,861	A	10/1954	Tupper	D249,023	S	8/1978	Ames
2,780,395	A	2/1957	Schlabach et al.	4,106,672	A	8/1978	Tecco et al.
2,817,451	A	12/1957	Giles et al.	4,120,432	A	10/1978	Fuchs
2,826,343	A	3/1958	Albiani	4,144,985	A	3/1979	Kinslow
2,849,164	A	8/1958	Weisgerber	4,155,481	A	5/1979	Takahashi et al.
2,851,203	A	9/1958	Nowak	4,163,496	A	8/1979	Dogliotti
2,894,654	A	7/1959	Lohrer	4,165,015	A	8/1979	Hasegawa
2,954,148	A	9/1960	Corrinet et al.	4,170,315	A	10/1979	Dubach et al.
2,961,132	A	11/1960	Ankney	D255,326	S	6/1980	Pettengill
2,961,133	A	11/1960	Ankney	4,231,486	A	11/1980	Bock
2,971,681	A	2/1961	Galbierz	4,234,099	A	11/1980	Tarro
3,018,931	A	1/1962	Westgate	4,253,587	A	3/1981	Otterson
3,031,111	A	4/1962	Stull	4,258,876	A	3/1981	Ljungcrantz
3,036,746	A	5/1962	Hagen	4,267,937	A	5/1981	Piltz et al.
3,058,630	A	10/1962	Abt	4,274,563	A	6/1981	Otterson
3,059,816	A	10/1962	Goldstein	4,280,636	A	7/1981	Lewis
3,100,589	A	8/1963	Love, Jr.	4,284,200	A	8/1981	Bush et al.
3,113,693	A	12/1963	Stull	4,291,818	A	9/1981	Nozawa et al.
3,117,701	A	1/1964	Stull	4,299,339	A	11/1981	Giroux et al.
3,140,019	A	7/1964	Barr	4,346,823	A	8/1982	Eppenbach
3,143,256	A	8/1964	Lazure et al.	D266,390	S	10/1982	Haner
3,155,285	A	11/1964	Van Baam	4,359,171	A	11/1982	Lewis
D200,024	S	1/1965	Lombardo	4,361,250	A	11/1982	Foster
D200,270	S	2/1965	Waterman	4,362,253	A	* 12/1982	Wortley et al. 220/276
3,180,537	A	4/1965	Collins	4,369,901	A	1/1983	Hidding
3,181,746	A	5/1965	Tupper	4,414,705	A	11/1983	Ostrowsky
3,203,571	A	8/1965	Plunkett	D272,807	S	2/1984	Ruhl
3,217,921	A	11/1965	Frehse	4,442,950	A	4/1984	Wilson
3,217,949	A	11/1965	Davis	4,457,458	A	7/1984	Heinol
D204,509	S	4/1966	Waterman	4,463,869	A	8/1984	Lewis
3,262,606	A	7/1966	Waterman	4,467,938	A	8/1984	Allen
3,281,982	A	11/1966	Salisbury	D276,981	S	1/1985	Cleevely
3,322,308	A	5/1967	Foster	4,494,679	A	1/1985	Cleevely
3,323,671	A	6/1967	Minarik, Jr. et al.	4,500,016	A	2/1985	Funfstuck
3,351,242	A	11/1967	Lodding et al.	4,503,991	A	3/1985	Joyce
3,370,757	A	2/1968	Foster	D278,602	S	4/1985	Rosenstein
3,372,832	A	3/1968	Yeater et al.	4,533,058	A	8/1985	Uhlig
3,397,823	A	8/1968	Kirkpatrick	4,538,731	A	9/1985	Cillario
3,412,890	A	11/1968	Rich	4,541,541	A	9/1985	Hickman et al.
3,428,208	A	2/1969	Kosar	4,545,495	A	10/1985	Kinsley
3,463,364	A	8/1969	Rehag	4,545,508	A	10/1985	Cribb, Jr. et al.
3,469,732	A	9/1969	Foster	4,580,687	A	4/1986	Lewis
3,486,665	A	12/1969	La Croce	4,610,371	A	9/1986	Karkiewicz
3,499,588	A	3/1970	Bartilson et al.	4,611,725	A	9/1986	Kacalief
D218,289	S	8/1970	Posada	4,621,744	A	11/1986	Foster
3,542,235	A	11/1970	Hidding	4,629,081	A	12/1986	McLaren
3,563,426	A	2/1971	Bartilson	4,648,528	A	3/1987	LaBarge et al.
3,651,992	A	3/1972	Hazard	4,651,885	A	3/1987	Gach
3,659,756	A	5/1972	Lancaster	4,658,980	A	4/1987	Lindstrom
3,675,812	A	7/1972	Foster	D291,411	S	8/1987	Crawford
3,741,377	A	6/1973	Krellen	4,693,399	A	9/1987	Hickman et al.
3,744,662	A	7/1973	Zundel	D292,491	S	10/1987	Ross et al.
3,782,583	A	1/1974	Abbey	4,714,181	A	12/1987	Kozlowski et al.
3,788,510	A	1/1974	Collins	4,723,693	A	2/1988	DeCoster
3,871,550	A	3/1975	Chiappe	4,726,091	A	2/1988	Joyce
3,874,580	A	4/1975	Weatherhead, III	4,735,334	A	4/1988	Abbott
3,877,604	A	4/1975	Brown	4,739,906	A	4/1988	LoTurco
3,888,373	A	6/1975	Gach et al.	4,752,014	A	6/1988	House et al.
				4,778,071	A	10/1988	Fillmore

US D532,298 S

4,792,054 A	12/1988	Weidman	5,489,035 A	2/1996	Fuchs
4,793,501 A	12/1988	Beck	5,494,200 A	2/1996	Sheffler et al.
4,793,502 A	12/1988	Beck	5,499,736 A	3/1996	Kohl
4,823,995 A	4/1989	Lewis	5,507,419 A	4/1996	Martin et al.
4,838,441 A	6/1989	Chernack	5,509,582 A	4/1996	Robbins, III
4,848,612 A	7/1989	Beck	5,511,679 A	4/1996	Beck
4,854,473 A	8/1989	Dubach	5,542,579 A	8/1996	Robbins, III
4,878,589 A	11/1989	Webster et al.	5,566,850 A	10/1996	Forsyth et al.
4,881,668 A	11/1989	Kitterman et al.	5,579,957 A	12/1996	Gentile et al.
4,881,688 A	11/1989	Hankvist et al.	5,588,546 A	12/1996	Farside
D305,206 S	12/1989	Hickman et al.	5,601,213 A	2/1997	Daniello
D305,734 S	1/1990	Allen	5,632,417 A	5/1997	Robbins, III et al.
4,898,292 A	2/1990	VerWeyst et al.	5,642,824 A	7/1997	Hess, III et al.
D306,563 S	3/1990	Johnson	5,667,089 A	9/1997	Moore
D306,701 S	3/1990	Beck	5,680,968 A	10/1997	Moore
4,925,067 A *	5/1990	Zemlo et al. 222/480	D385,791 S	11/1997	Forsyth et al.
4,927,065 A	5/1990	Beck	5,697,509 A *	12/1997	Hayes 215/235
4,934,590 A	6/1990	Robichaud et al.	5,743,444 A	4/1998	Beck et al.
4,936,494 A	6/1990	Weidman	5,762,216 A	6/1998	Takeuchi
4,938,390 A	7/1990	Markva	5,785,193 A	7/1998	Kobayashi et al.
4,940,167 A	7/1990	Fillmore et al.	5,799,838 A	9/1998	Miller
4,955,504 A	9/1990	Lesscher	5,829,609 A	11/1998	Beck
4,955,513 A	9/1990	Bennett	5,829,611 A	11/1998	Beck
4,967,941 A	11/1990	Beck	5,842,592 A	12/1998	Beck
4,971,213 A	11/1990	Ishinabe et al.	5,865,353 A	2/1999	Baudin
4,984,716 A	1/1991	Beck	5,875,907 A	3/1999	Lay
4,993,606 A	2/1991	Bolen, Jr. et al.	D407,976 S	4/1999	Ekkert
5,007,555 A	4/1991	Beck	5,913,435 A	6/1999	Fuchs
5,016,787 A	5/1991	Beck	D413,064 S	8/1999	Bansal
D318,777 S *	8/1991	Freese D7/392	D414,698 S	10/1999	Mogard et al.
D318,778 S	8/1991	Fiore et al.	5,971,231 A	10/1999	Samz et al.
D319,588 S	9/1991	Beck	5,975,368 A	11/1999	Wood
5,048,730 A	9/1991	Forsyth et al.	5,996,859 A	12/1999	Beck
D320,739 S	10/1991	Camus	D419,069 S	1/2000	Beck et al.
D320,746 S	10/1991	Bolen, Jr. et al.	6,024,256 A	2/2000	Beck et al.
D321,137 S	10/1991	Hofmann et al.	6,102,257 A	8/2000	Goyet
5,052,572 A	10/1991	Pherigo	D435,445 S	12/2000	Arai et al.
D321,476 S	11/1991	Alcover	6,158,632 A	12/2000	Ekkert
5,067,624 A	11/1991	Thanisch	6,164,503 A	12/2000	Forsyth et al.
D323,461 S	1/1992	Beck	D436,040 S	1/2001	Warner et al.
D323,462 S	1/1992	Beck	6,170,664 B1	1/2001	Dar
5,083,671 A	1/1992	Hayes	6,202,872 B1	3/2001	Smeyak et al.
D324,175 S	2/1992	Beck	D440,156 S	4/2001	Lonczak et al.
5,085,331 A	2/1992	Groya et al.	6,250,507 B1	6/2001	Ekkert
5,129,531 A	7/1992	Beck et al.	6,250,517 B1	6/2001	Samz et al.
5,129,533 A	7/1992	Loffler	6,283,317 B1	9/2001	Benoit-gonin et al.
5,143,234 A	9/1992	Lohrman et al.	6,289,906 B1	9/2001	Vanden Dries et al.
D331,877 S	12/1992	Robichaud et al.	6,296,130 B1	10/2001	Forsyth et al.
D331,878 S	12/1992	Forsyth	6,299,033 B1	10/2001	VerWeyst et al.
5,167,338 A	12/1992	Kick	6,308,870 B1	10/2001	Samz et al.
5,183,171 A *	2/1993	Pherigo 220/258.3	6,321,923 B1	11/2001	Wood
5,197,634 A	3/1993	Beck	6,325,231 B1	12/2001	Ketting et al.
5,211,301 A	5/1993	Groya et al.	6,332,551 B1	12/2001	Copeland
5,215,204 A	6/1993	Beck et al.	D453,892 S	2/2002	Lindsay et al.
5,219,100 A	6/1993	Beck et al.	RE37,634 E	4/2002	Hickman et al.
D339,065 S	9/1993	Forsyth et al.	6,364,169 B1 *	4/2002	Knickerbocker 222/189.02
D340,187 S	10/1993	Forsyth	6,382,476 B1	5/2002	Randall et al.
D340,188 S	10/1993	Forsyth	6,405,885 B1	6/2002	Elliott
5,282,540 A	2/1994	Beck	6,439,410 B1	8/2002	Dubach
5,297,688 A	3/1994	Beck et al.	6,460,712 B1	10/2002	Smith et al.
5,305,931 A	4/1994	Martin et al.	6,460,718 B1	10/2002	Vogel
D346,958 S	5/1994	Olson	6,460,726 B1	10/2002	Hierzer et al.
5,314,093 A	5/1994	Gross et al.	6,464,113 B1	10/2002	Vogel
D347,974 S	6/1994	McBride	6,474,491 B1	11/2002	Benoit Gonin et al.
5,328,063 A	7/1994	Beck et al.	6,477,743 B1	11/2002	Gross et al.
5,330,082 A	7/1994	Forsyth	6,481,589 B1	11/2002	Blomdahl et al.
5,339,993 A	8/1994	Groya et al.	6,488,187 B1	12/2002	Sheffler et al.
5,356,017 A	10/1994	Rohr et al.	6,494,346 B1	12/2002	Gross et al.
D355,121 S	2/1995	Kohl	D468,639 S	1/2003	Wennerstrom et al.
5,423,442 A	6/1995	Nozawa et al.	6,508,373 B1	1/2003	Robinson
5,467,879 A	11/1995	Moore	6,510,971 B1	1/2003	Martin

6,575,323	B1	6/2003	Martin et al.	
D476,892	S	7/2003	Martin et al.	
6,691,901	B1	2/2004	Parve et al.	
D509,426	S *	9/2005	Samz et al.	D9/447
7,007,830	B1 *	3/2006	Parve et al.	222/556
D522,362	S *	6/2006	Liebe	D9/449
2003/0071041	A1	4/2003	Vogel	
2003/0090036	A1	5/2003	Vogel	
2003/0111495	A1	6/2003	Parve et al.	
2004/0089678	A1 *	5/2004	Martin	222/556
2004/0118846	A1 *	6/2004	Merolla	220/254.2
2004/0134942	A1	7/2004	Parve et al.	
2004/0173645	A1	9/2004	Vogel et al.	
2004/0226950	A1	11/2004	Samz et al.	
2005/0023304	A1	2/2005	Vogel et al.	

OTHER PUBLICATIONS

Cap of a type understood to be commercially available from Kraft Food North America, Inc. (ten photographs; two sheets).

Cap of a type understood to be commercially available from Nestle Purina Petcare Company (twelve photographs; two sheet).

Cap of a type understood to be commercially available from Resibel N. V. in or about 1996 and made available/obtained during discovery in *Gateway Plastics, Inc v. Weatherchem Corp.*, Case No. 02-C-0870 (E.D. Wis.) (twelve photographs; two sheet).

Amended complaint, *Gateway Plastics, Inc. v. Weatherchem Corporation*, Case No. 02-C-0870 (E.D. Wis.) Dated Nov. 18, 2002, with legible copy of Exhibit D.

Answer and Counterclaim, *Gateway Plastics, Inc. v. Weatherchem Corporation*, Case No. 02-C-0870 (E.D. Wis.), Dated Dec. 5, 2002.

Amended Answer and Counterclaim, *Gateway Plastics, Inc. v. Weatherchem Corp.*, Case No. 02-C-0870 (E.D. Wis.); filed Sep. 2, 2003.

Brief in Support of Motion by Plaintiff Gateway Plastics, Inc. for a Preliminary Injunction, *Gateway Plastics, Inc. v. Weatherchem Corp.*, Case No. 02-C-0870 (E.D. Wis.); filed Dec. 19, 2003.

Weatherchem's Brief in Opposition to Gateway's Motion for Preliminary Injunction, *Gateway Plastics, Inc. v. Weatherchem Corp.*, Case No. 02-C-0870 (E.D. Wis.); filed Feb. 4, 2004.

Decision and Order; *Gateway Plastics, Inc. v. Weatherchem Corp.*, Case No. 02-C-0870 (E.D. Wis.); filed Dec. 17, 2003.

Weatherchem Exhibit Nos. WC 601-WC 648 and WC 651-WC 653B in Opposition to Preliminary Injunction, *Gateway Plastics, Inc. v. Weatherchem Corp.*, Case No. 02-C-0870 (E.D. Wis.); filed Feb. 4, 2004.

* cited by examiner

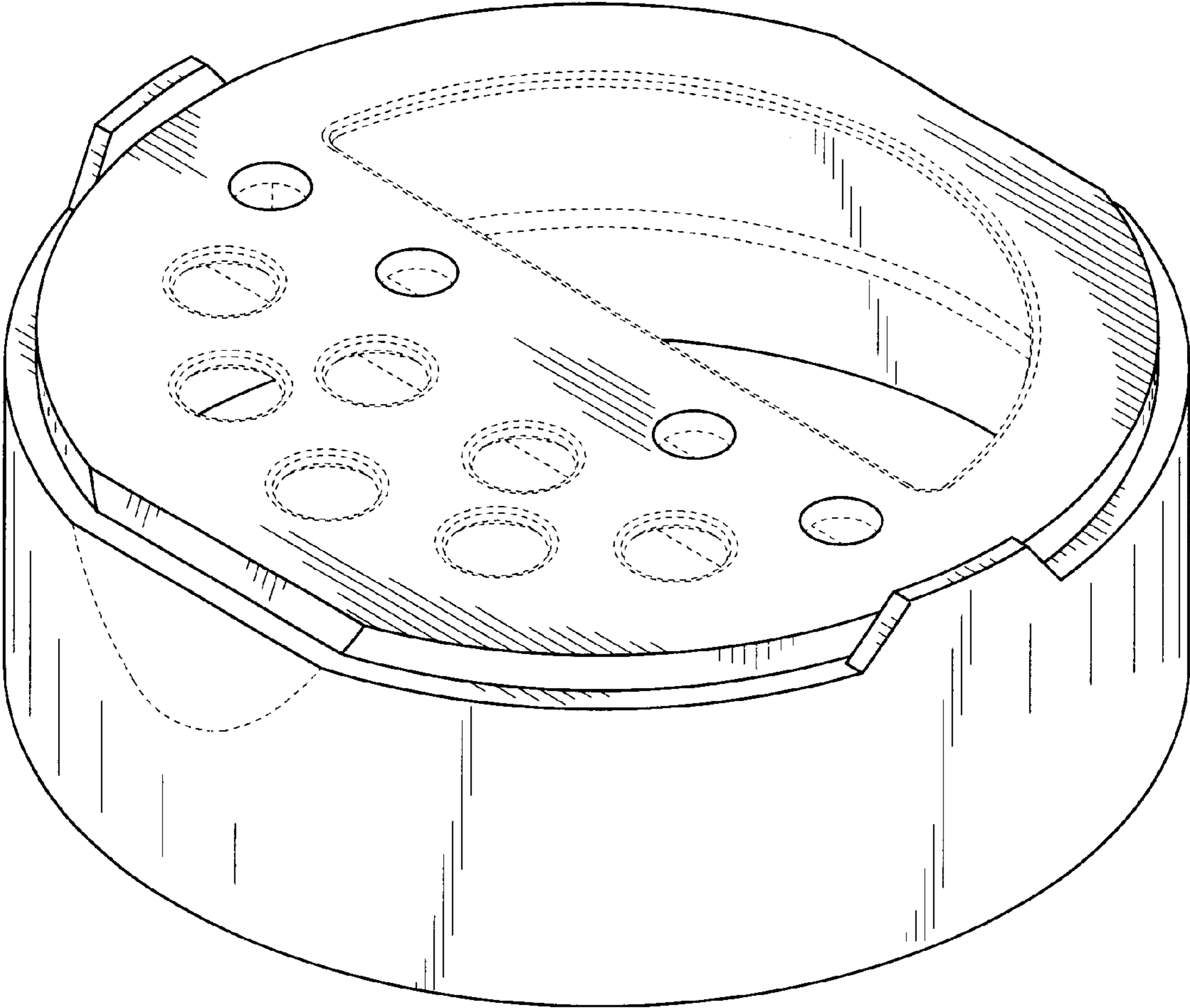


FIGURE 1

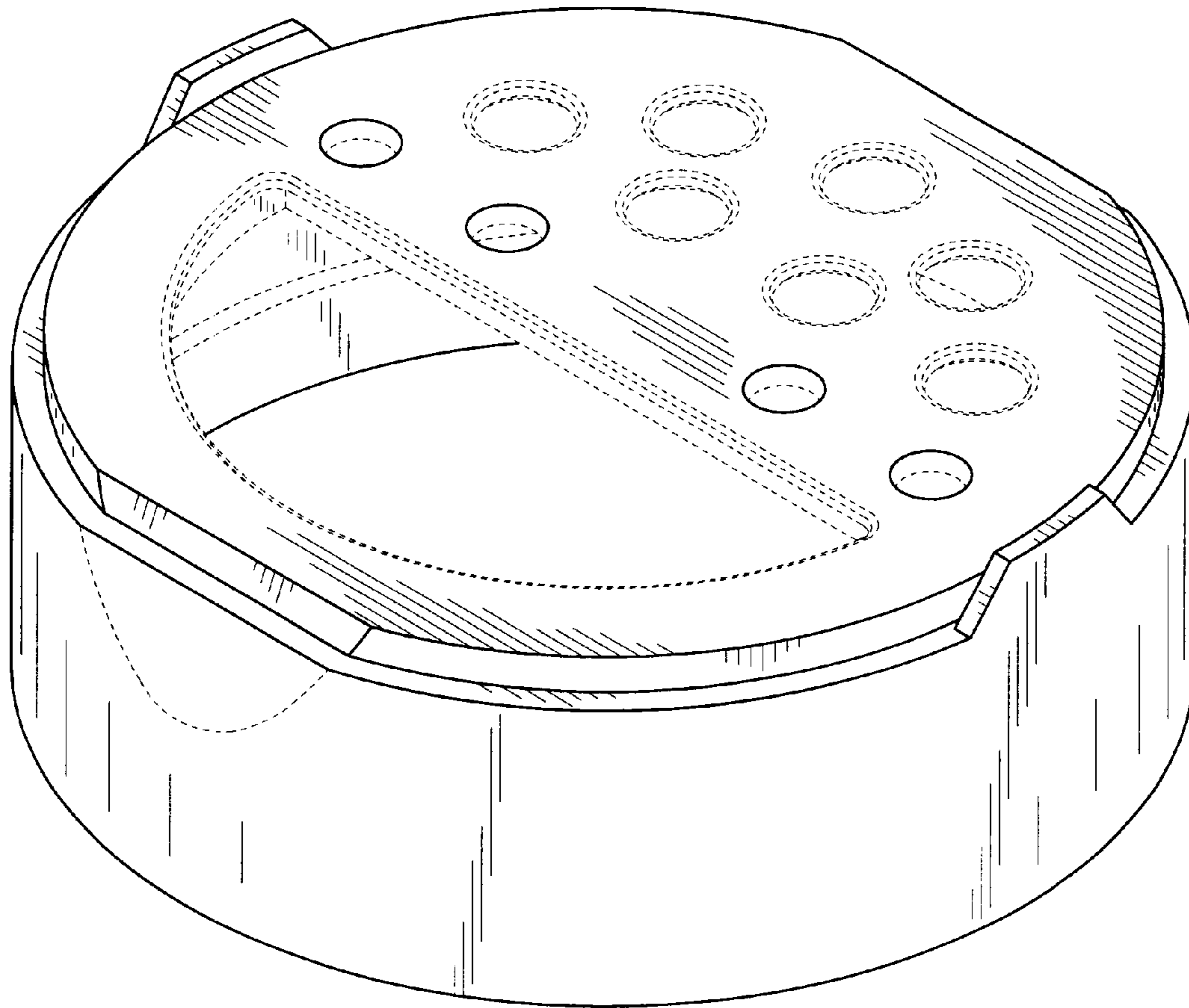


FIGURE 2

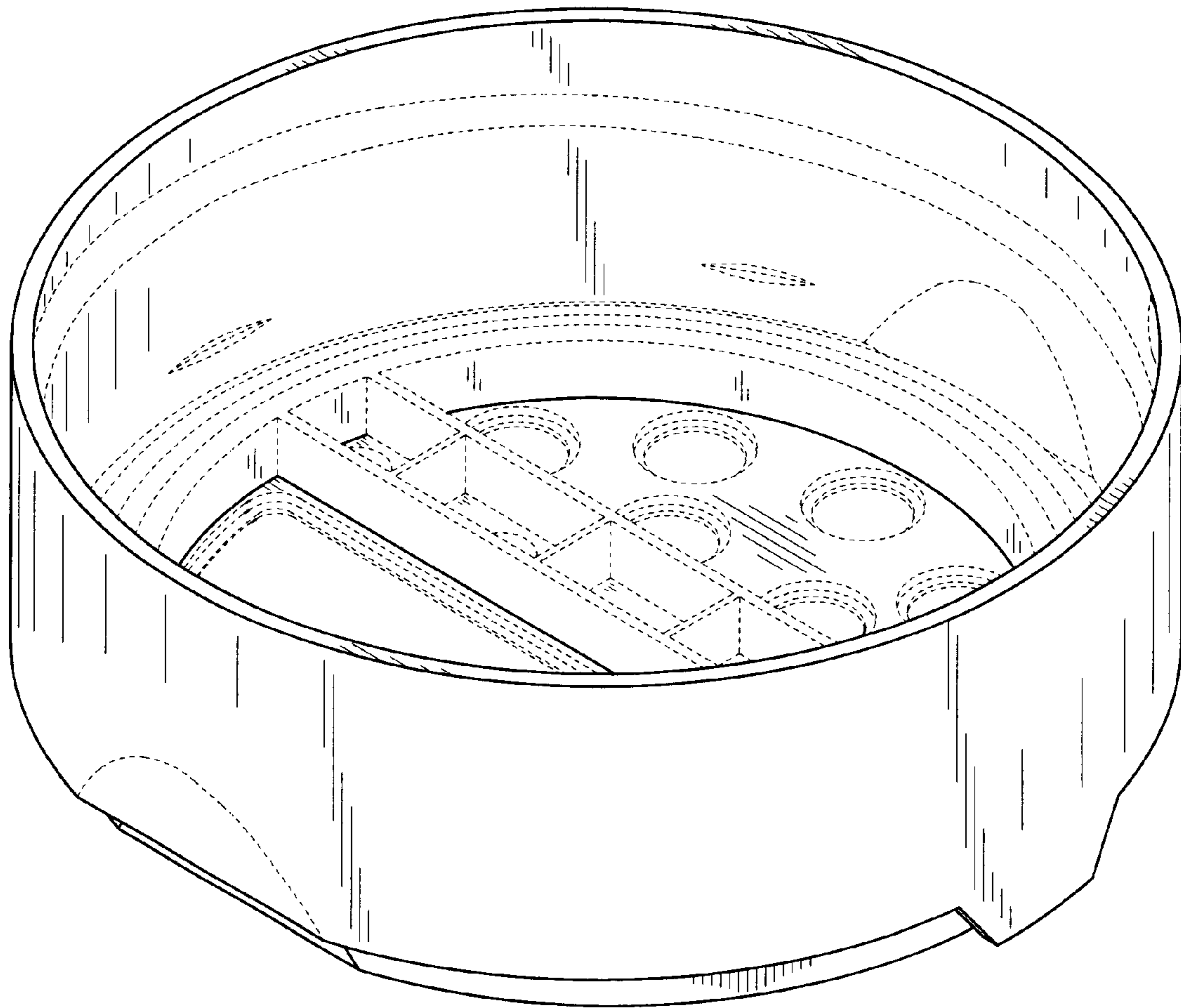


FIGURE 3

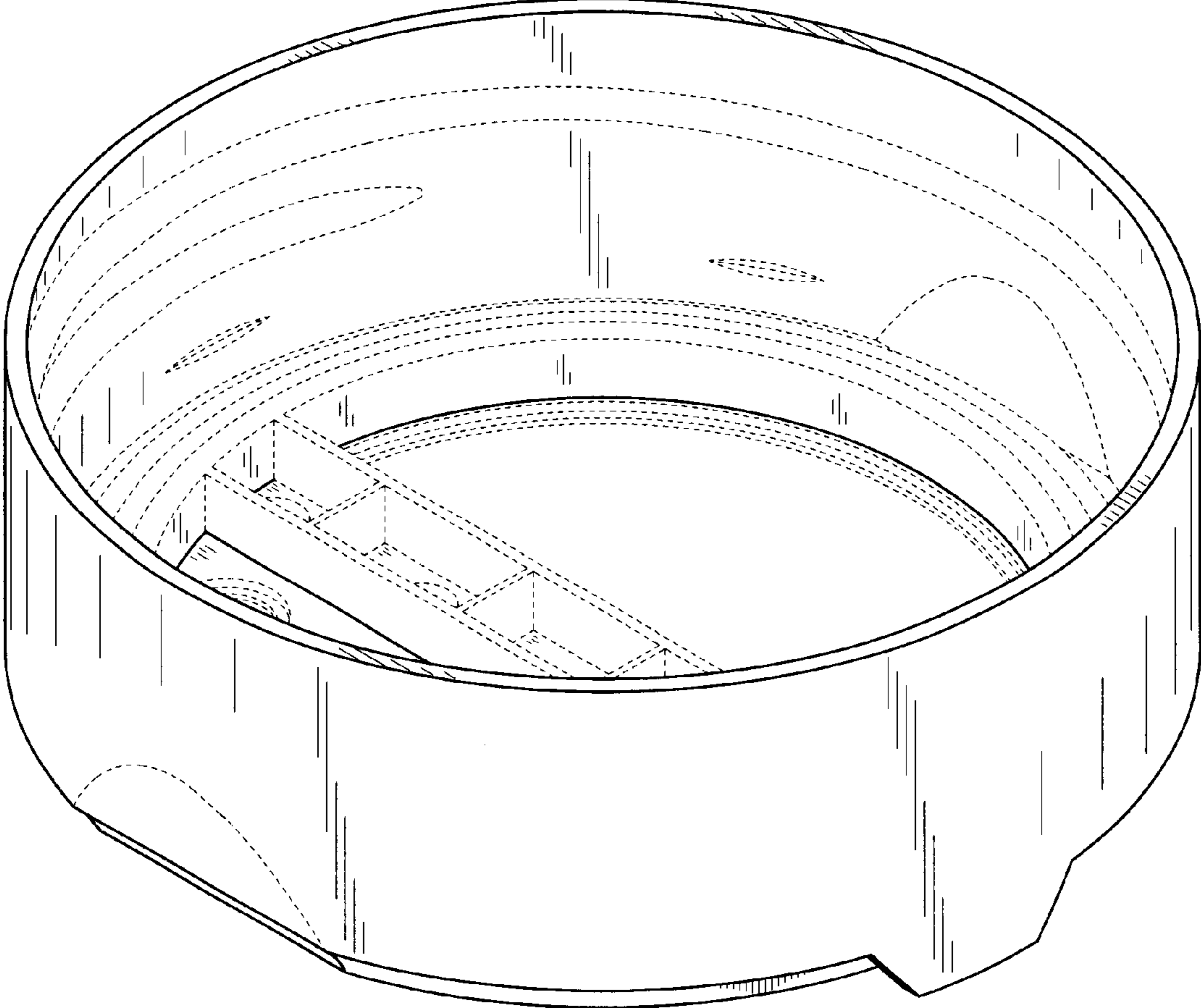


FIGURE 4

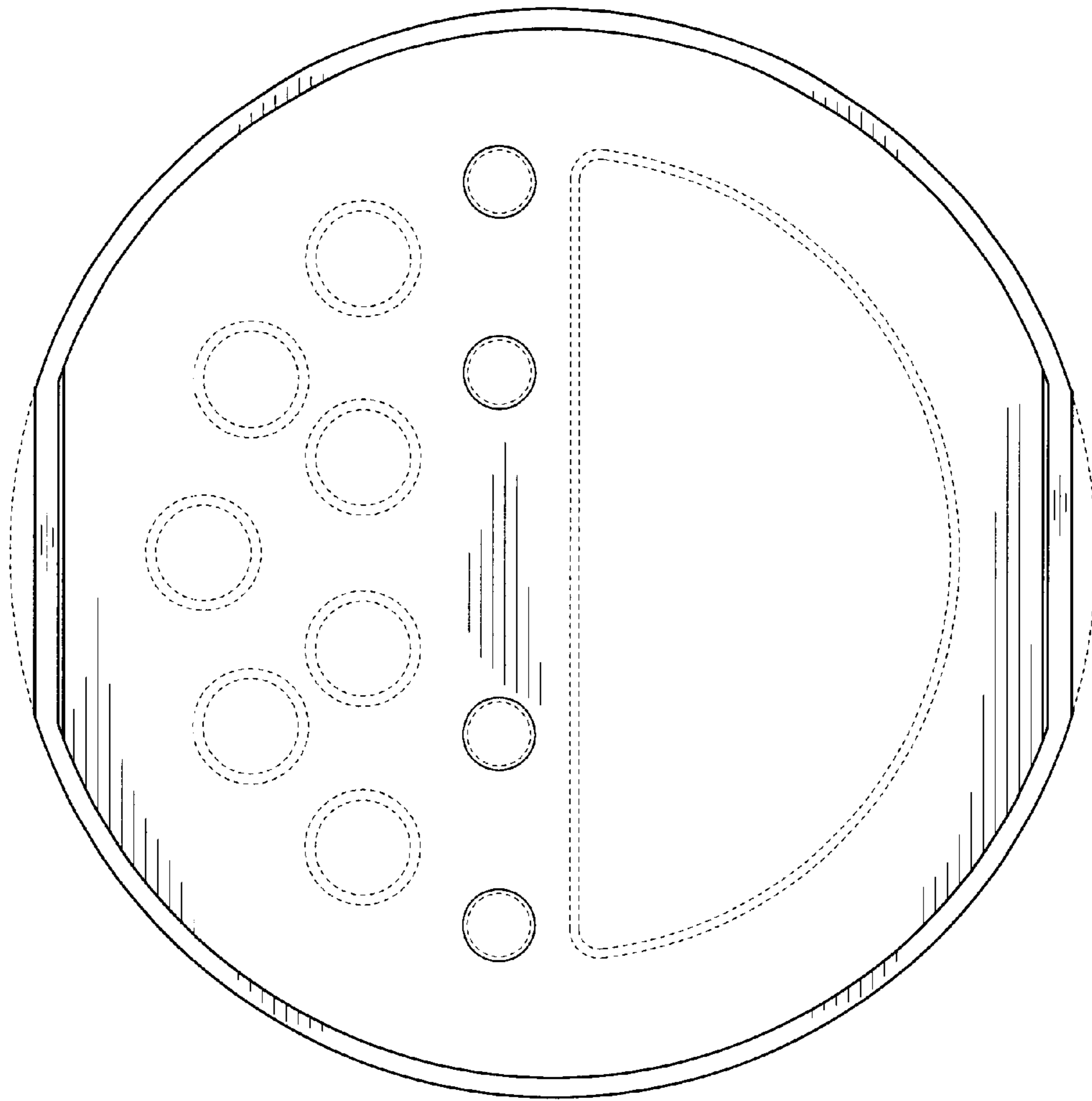


FIGURE 5

FIGURE 6

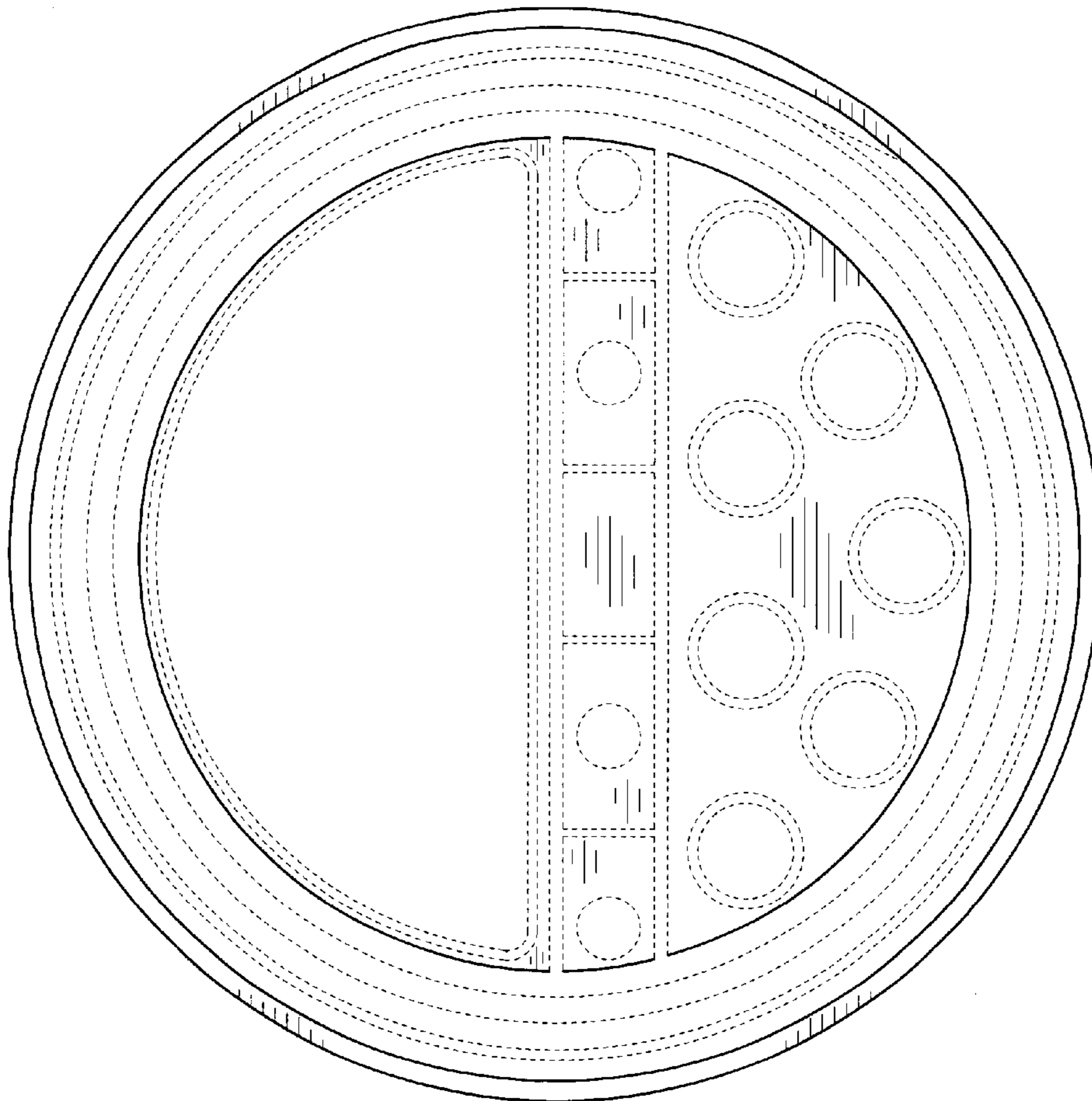


FIGURE 7

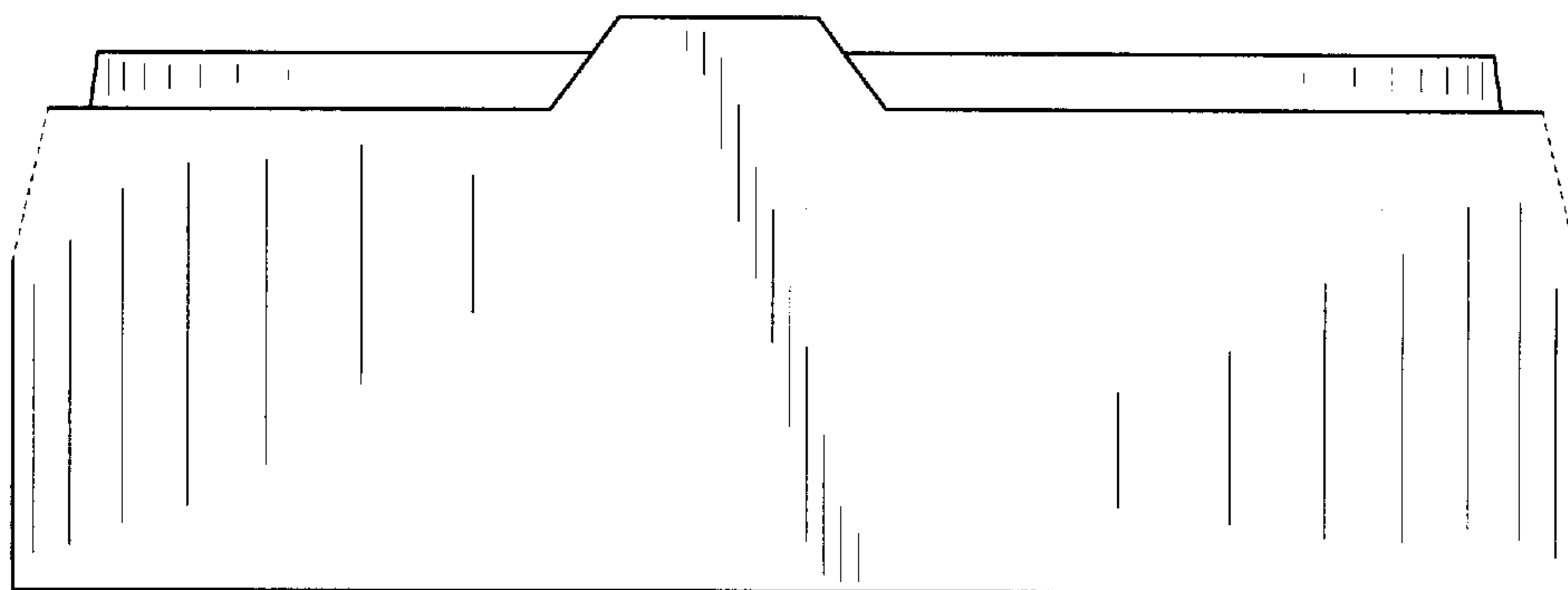


FIGURE 8

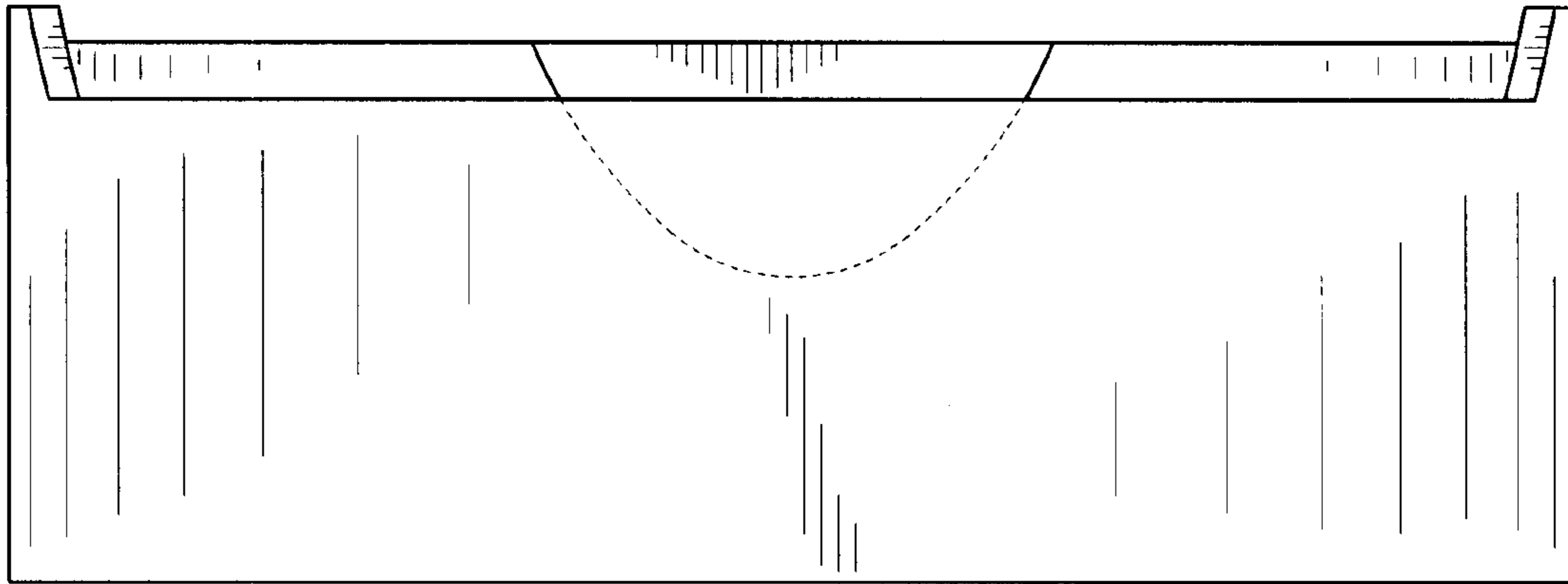


FIGURE 9

