

US00D532297S

(12) **United States Design Patent**  
**Myers et al.**

(10) **Patent No.:** **US D532,297 S**

(45) **Date of Patent:** **\*\* Nov. 21, 2006**

(54) **CAN GUARD**

(76) Inventors: **Jean Marie Myers**, 3148 Shawnee Trail, New Haven, IN (US) 46774;  
**Kermit Lee Myers**, 3148 Shawnee Trail, New Haven, IN (US) 46774

(\*\*) Term: **14 Years**

(21) Appl. No.: **29/214,662**

(22) Filed: **Oct. 7, 2004**

(51) **LOC (8) Cl.** ..... **09-07**

(52) **U.S. Cl.** ..... **D9/447**

(58) **Field of Classification Search** ..... D9/447,  
D9/444, 440, 436, 435; D7/900, 619.1, 396.2,  
D7/392.1, 300.2; 220/713, 711, 709, 705,  
220/253

See application file for complete search history.

(56) **References Cited**

**U.S. PATENT DOCUMENTS**

- 4,869,389 A \* 9/1989 Cerrone, Jr. .... D9/435
- 4,938,379 A \* 7/1990 Kellner ..... 220/370
- 5,269,432 A \* 12/1993 Beckertgis ..... 220/253
- D362,804 S \* 10/1995 Warren ..... D7/369
- 5,547,100 A \* 8/1996 Johnson ..... 220/253

- 5,720,412 A \* 2/1998 Ficken ..... 220/253
- 5,887,742 A \* 3/1999 Lewis ..... 220/253
- D487,699 S \* 3/2004 Myers et al. .... D9/447

\* cited by examiner

*Primary Examiner*—Robert M. Spear

*Assistant Examiner*—Susan Bennett Hattan

(74) *Attorney, Agent, or Firm*—Theresa M. Seal

(57) **CLAIM**

The ornamental design for a can guard, as shown and described.

**DESCRIPTION**

The within application is a related patent to Jean Marie Myers and Kermit Lee Myers previously granted U.S. Pat. No. D 487,699.

FIG. 1 is a perspective view of a can guard in accordance with the invention as used on a can;

FIG. 2 is an elevational top view thereof;

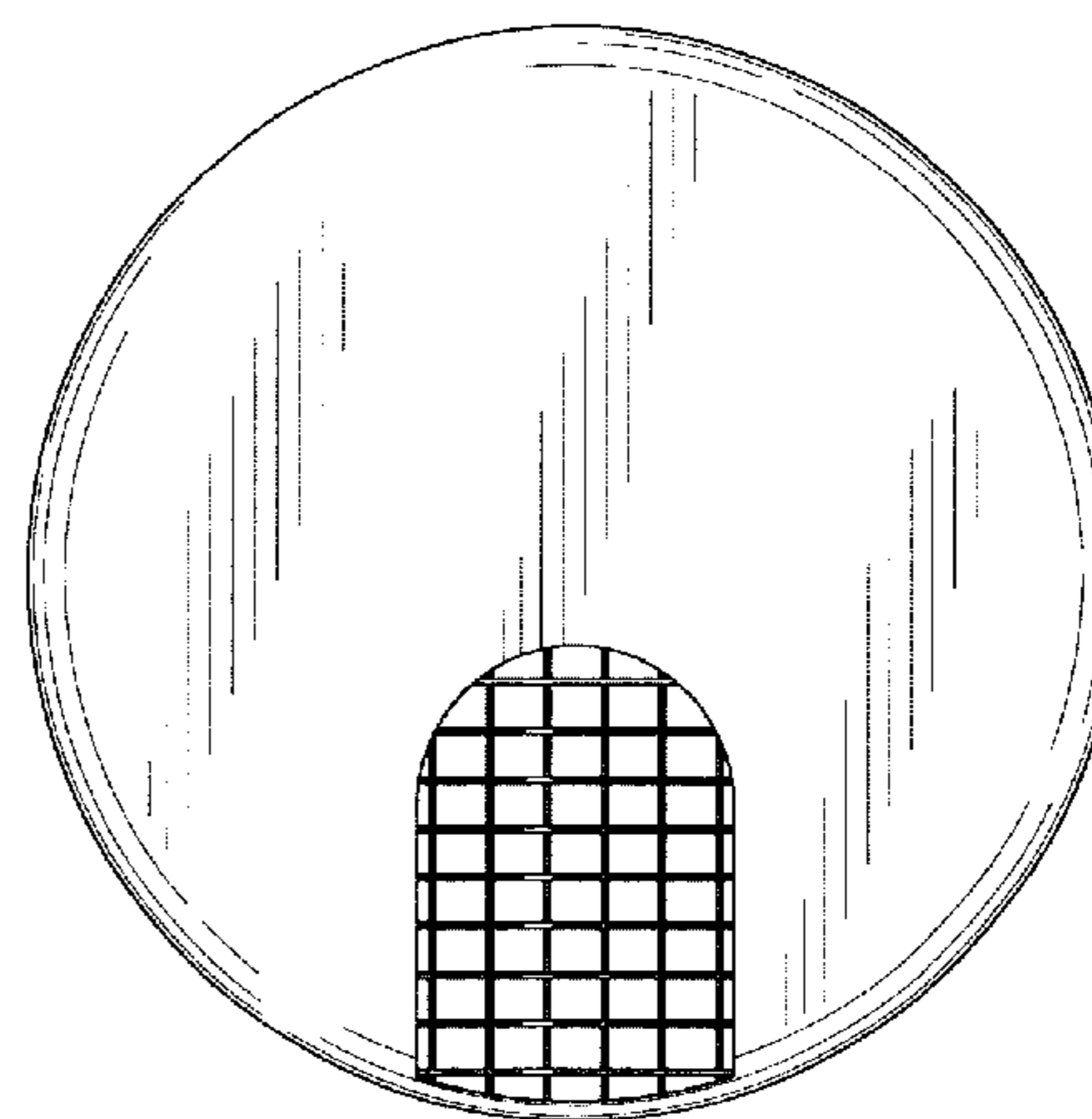
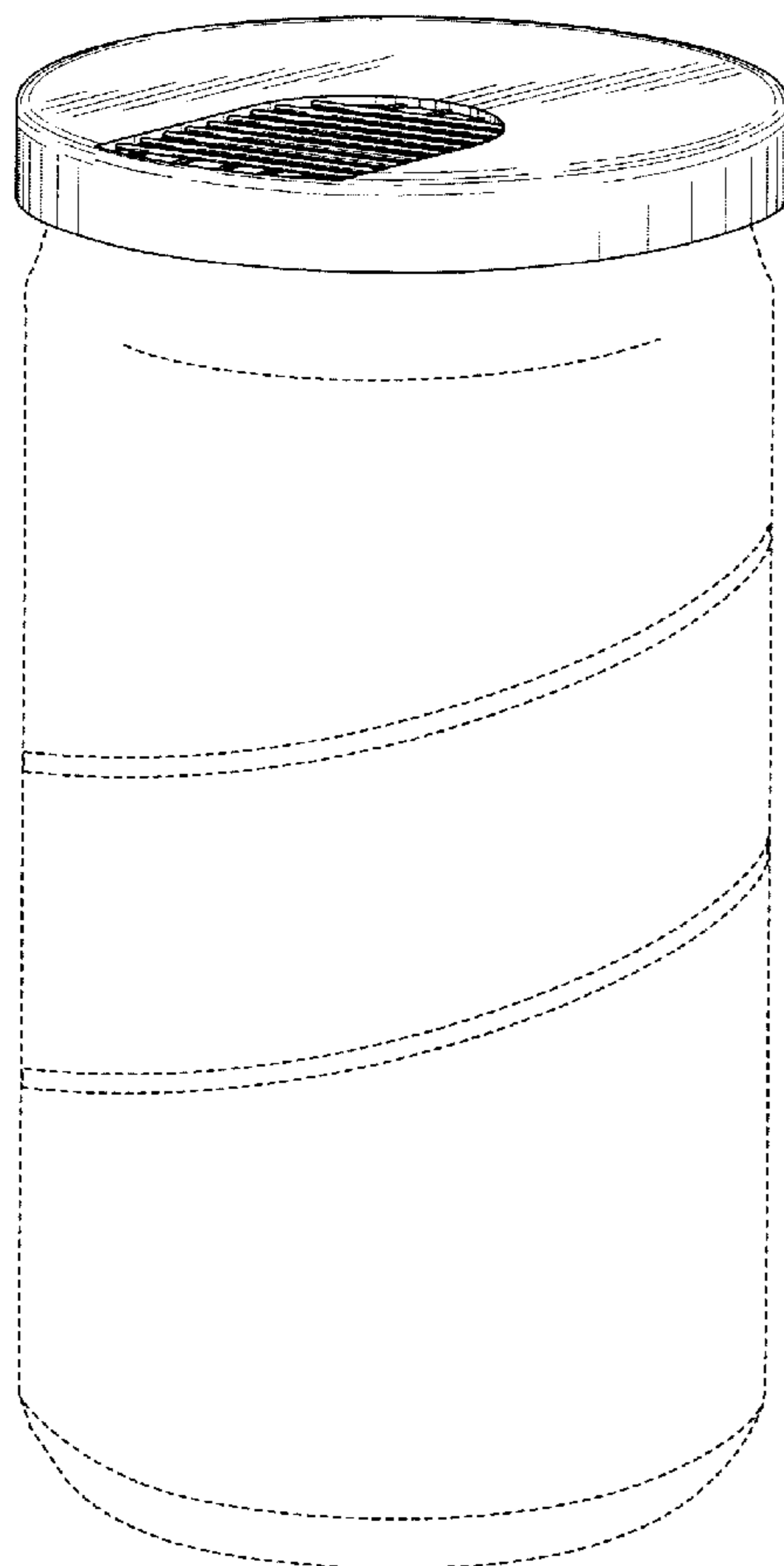
FIG. 3 is an elevational side view, all sides being a mirror image, thereof;

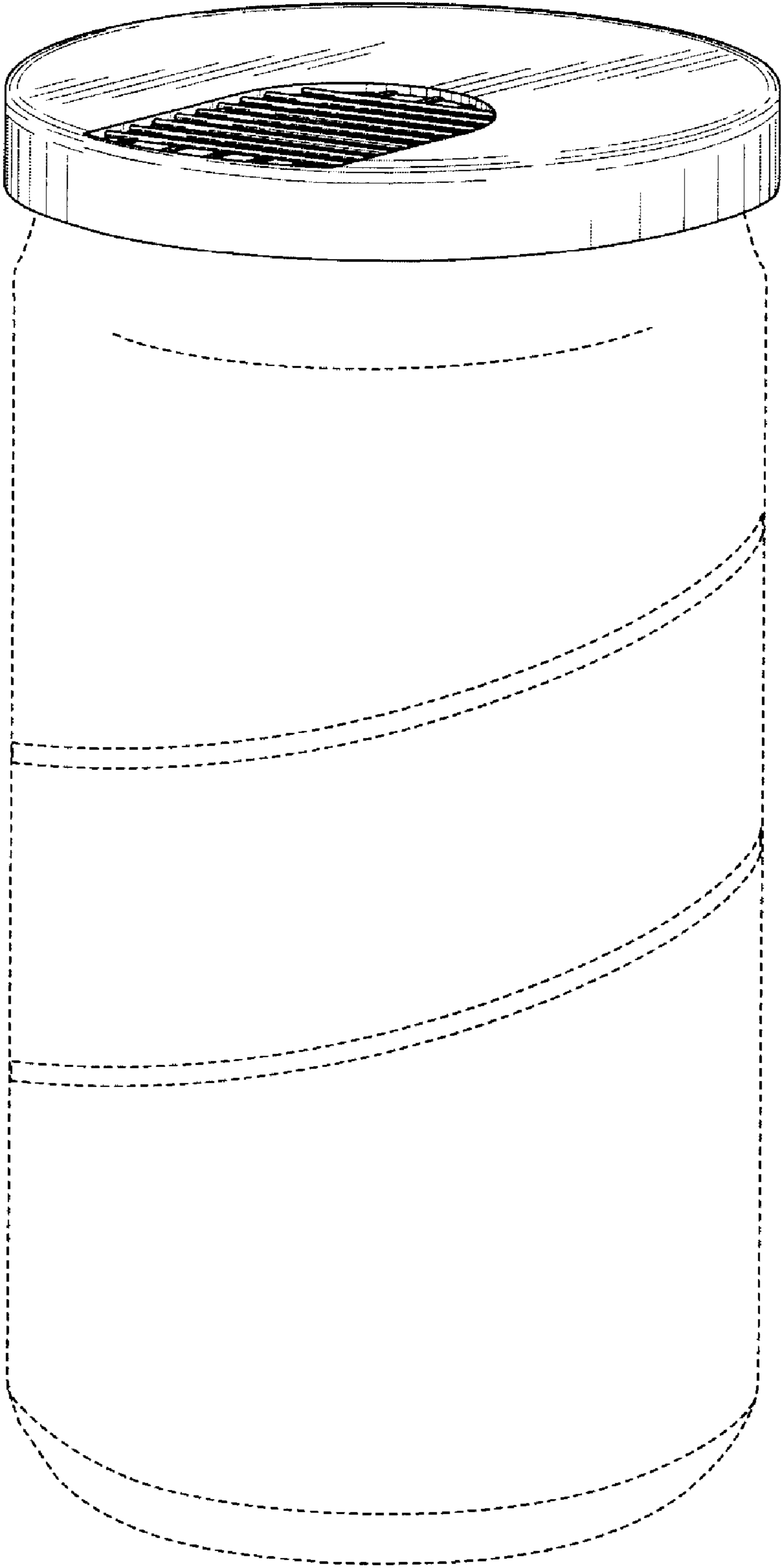
FIG. 4 is an elevational top view thereof; and,

FIG. 5 is an elevational bottom view thereof.

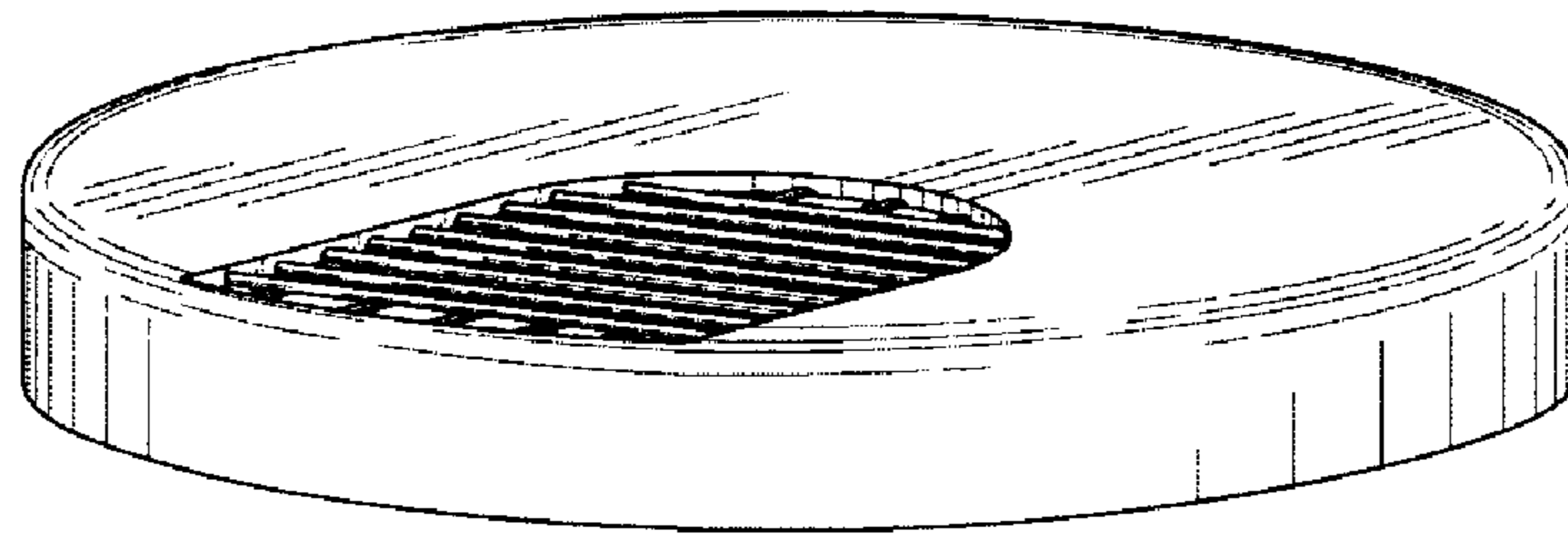
The broken lines in the figures are for illustrative purposes only and form no part of the claimed design.

**1 Claim, 3 Drawing Sheets**





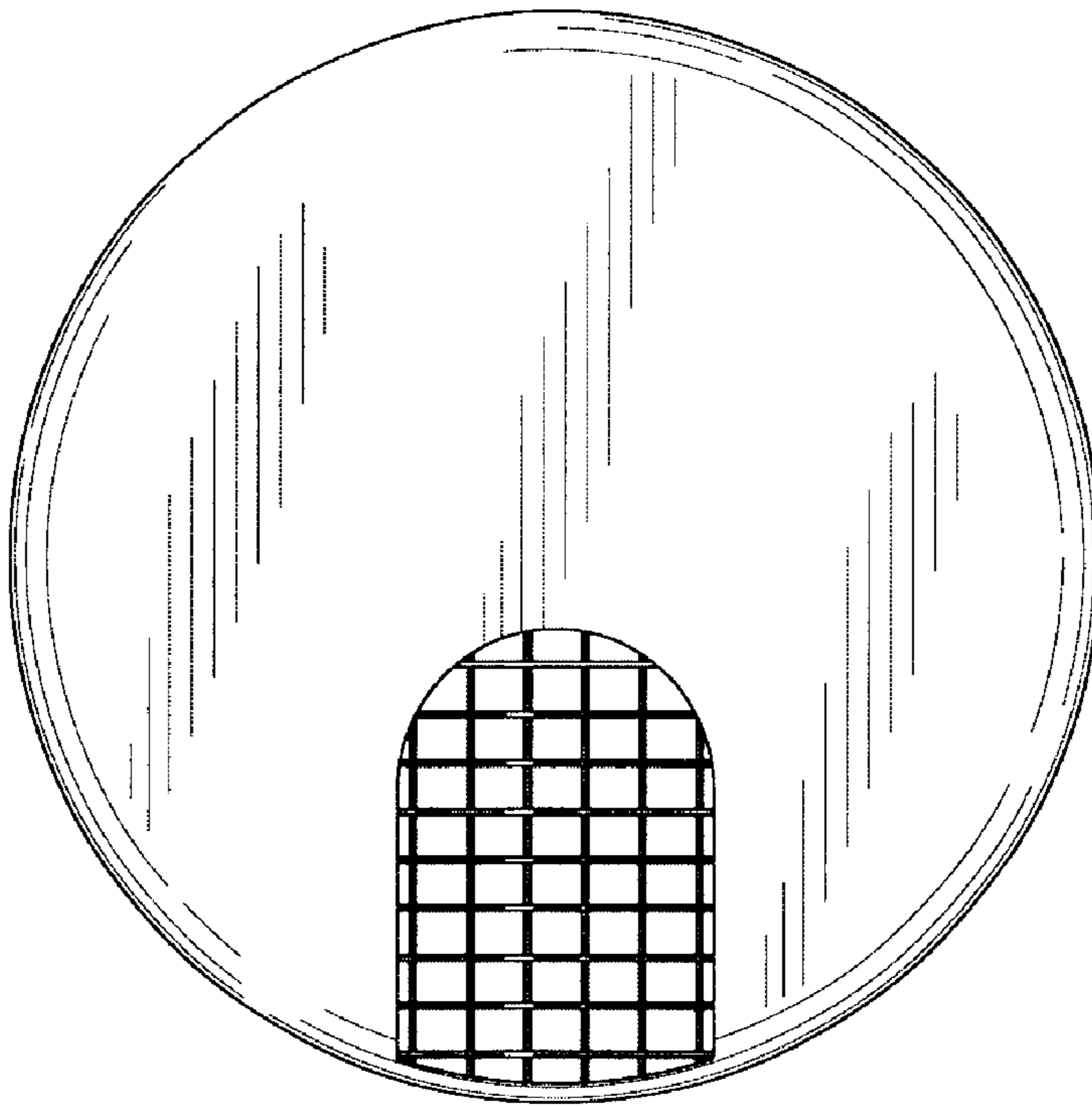
**Fig. 1**



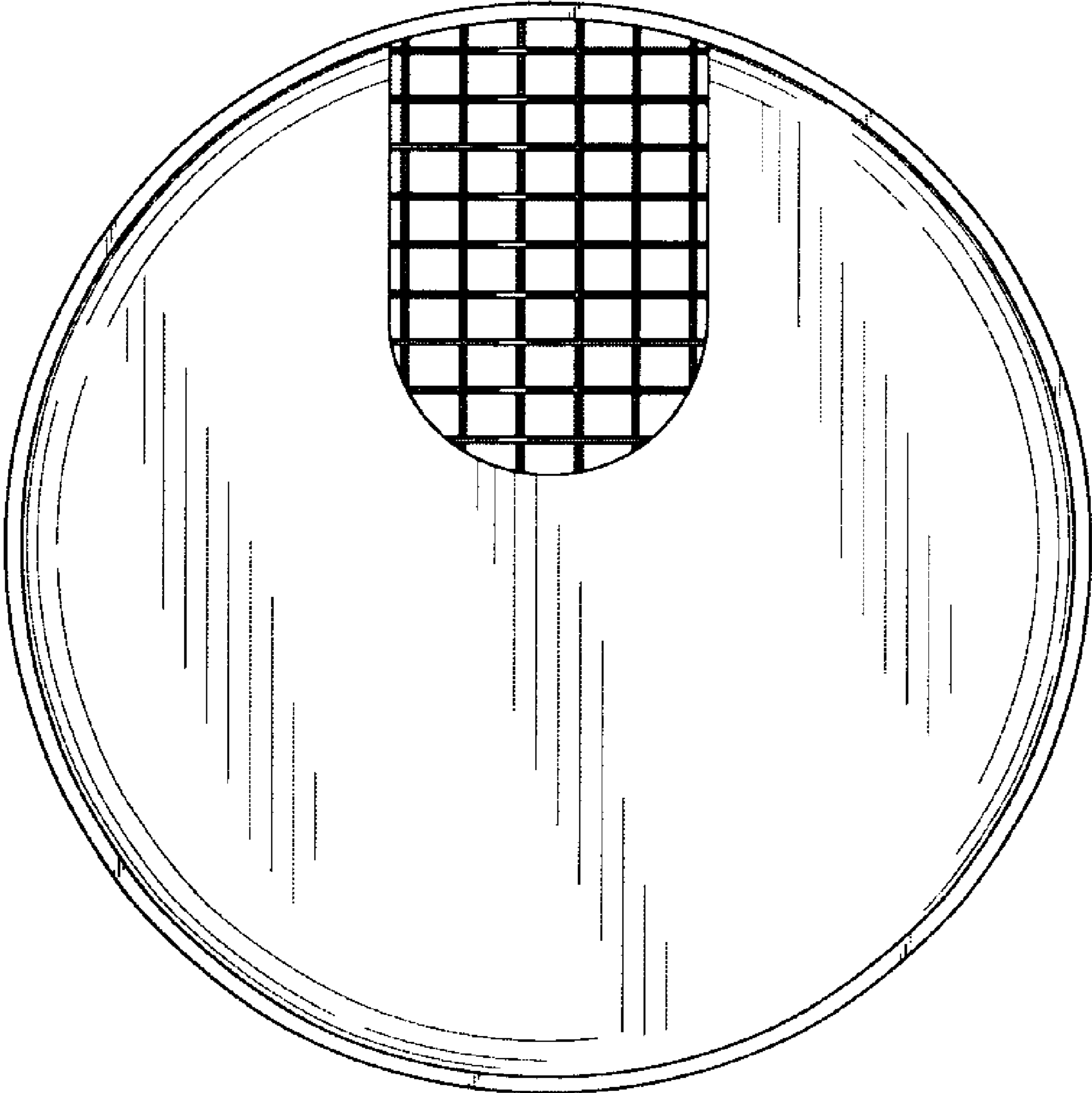
**Fig. 2**



**Fig. 3**



**Fig. 4**



**Fig. 5**