



US00D532291S

(12) **United States Design Patent** (10) **Patent No.:** **US D532,291 S**
Geers (45) **Date of Patent:** **** Nov. 21, 2006**

(54) **GUTTER GUARD CLIP**

(76) Inventor: **John F. Geers**, 15030 Santa Maria Dr., Brookfield, WI (US) 53005

(**) Term: **14 Years**

(21) Appl. No.: **29/208,669**

(22) Filed: **Jul. 1, 2004**

(51) **LOC (8) Cl.** **08-08**

(52) **U.S. Cl.** **D8/394**

(58) **Field of Classification Search** D8/349,
D8/371, 382, 394-396; D23/267; 52/11,
52/12; 248/48.1, 227.1, 73

See application file for complete search history.

(56) **References Cited**

U.S. PATENT DOCUMENTS

2,144,663	A	1/1939	Petersen	
2,365,845	A	12/1944	Schweda	
2,431,012	A	11/1947	Alig	
D168,008	S	10/1952	Woodruff	
2,636,458	A	4/1953	Harris	
2,847,949	A	8/1958	Pond	
2,873,700	A	2/1959	Heier	
3,420,378	A	1/1969	Turner	
3,436,878	A	4/1969	Singer	
4,036,761	A	7/1977	Rankin	
D255,983	S	* 7/1980	Armstrong et al.	D8/382
4,254,595	A	3/1981	Crosslen	
4,286,418	A	9/1981	Snyder	
4,404,775	A	9/1983	Demartini	
4,447,994	A	5/1984	Garneau	
4,455,791	A	6/1984	Elko et al.	
4,493,588	A	1/1985	Duffy	
D277,546	S	* 2/1985	Trotta	D8/349
4,497,146	A	2/1985	Demartini	
4,551,956	A	11/1985	Axford	
4,604,837	A	8/1986	Beam	
4,631,875	A	12/1986	Olson	
D289,972	S	5/1987	Fogelman	
4,745,710	A	5/1988	Davis	
4,750,300	A	6/1988	Winger, Jr.	
4,866,890	A	9/1989	Otto	

4,876,827	A	10/1989	Williams	
4,937,986	A	7/1990	Way, Sr. et al.	
D316,811	S	* 5/1991	Paul	D8/382
5,016,404	A	5/1991	Briggs	
D318,608	S	* 7/1991	Schenker	D8/382
5,072,551	A	12/1991	Manoogian, Jr.	
5,181,350	A	1/1993	Meckstroth	
5,189,849	A	3/1993	Collins	
5,216,851	A	6/1993	Kuhns	
5,271,192	A	12/1993	Nothum, Sr. et al.	
5,375,379	A	12/1994	Meckstroth	
5,457,916	A	10/1995	Tenute	
D366,825	S	* 2/1996	Cox	D8/382
5,537,785	A	7/1996	Zaccagni	
D372,548	S	8/1996	Carbone	
D373,068	S	* 8/1996	Airey	D8/349
5,557,891	A	9/1996	Albracht	
5,640,809	A	6/1997	Iannelli	
5,660,001	A	8/1997	Albracht	
D384,574	S	* 10/1997	Cox	D8/349
5,819,476	A	10/1998	Anstedt, Sr.	
D416,079	S	11/1999	Hallett, II	
D427,893	S	* 7/2000	Lappin et al.	D8/382
D428,328	S	* 7/2000	Jarnagin et al.	D8/382

(Continued)

Primary Examiner—Holly H. Baynham
Assistant Examiner—Cynthia M. Chin
(74) *Attorney, Agent, or Firm*—Quarles & Brady LLP

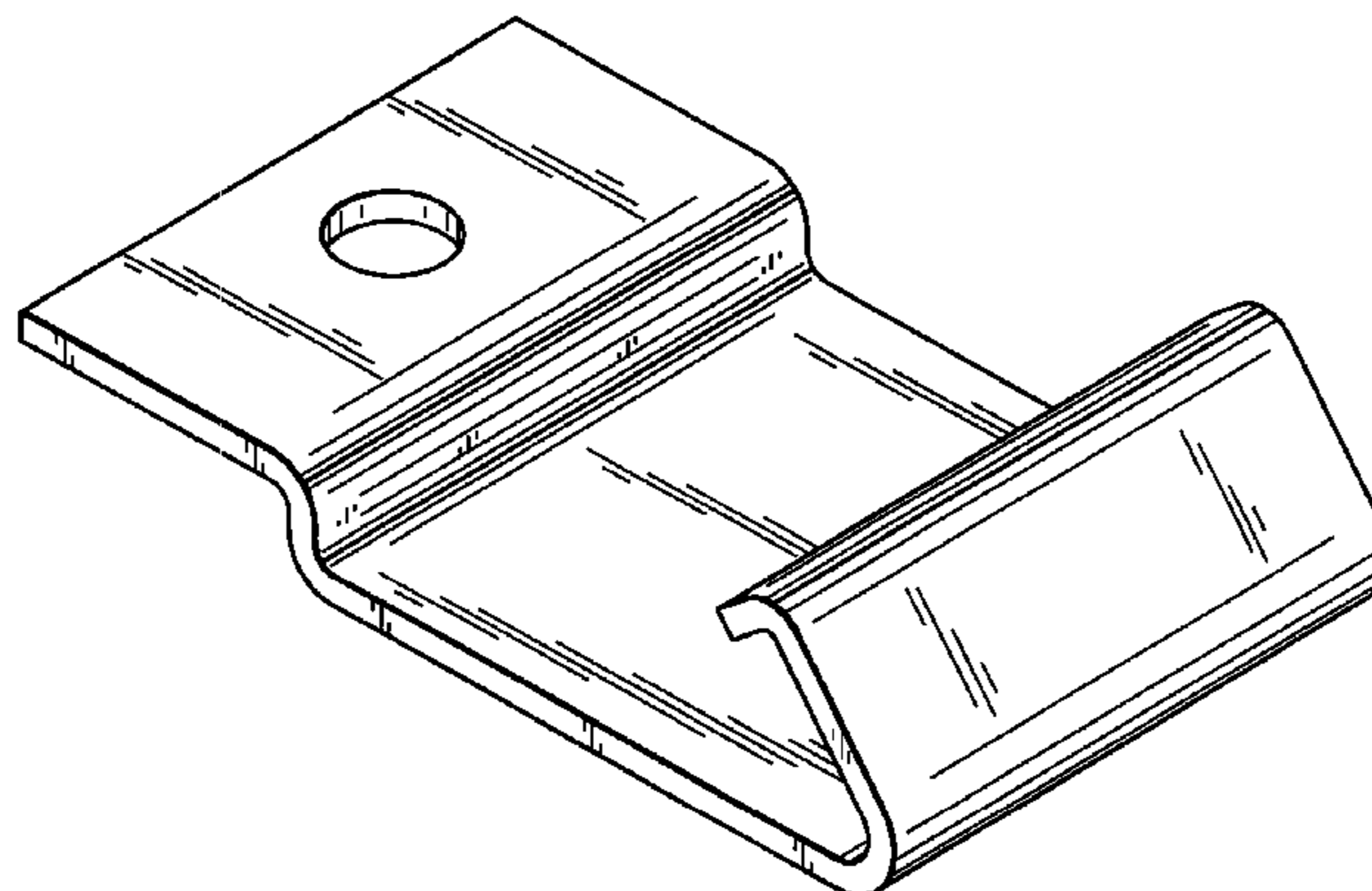
(57) **CLAIM**

The ornamental design for a gutter guard clip, as shown and described.

DESCRIPTION

In a preferred embodiment, the nature of this product is as a clip for supporting a gutter guard.
FIG. 1 is a top, front perspective view of a clip showing my new design;
FIG. 2 is a top plan view thereof;
FIG. 3 is a bottom plan view thereof;
FIG. 4 is a front elevational view thereof;
FIG. 5 is a side elevational view thereof; and,
FIG. 6 is a rear elevational view thereof.

1 Claim, 3 Drawing Sheets



US D532,291 S

Page 2

U.S. PATENT DOCUMENTS

6,098,344 A	8/2000	Albracht			
D436,311 S	*	1/2001	Edvardsson	D8/382
D449,776 S	*	10/2001	Barnett et al.	D8/382
D468,812 S	*	1/2003	Doyle et al.	D23/267
					* cited by examiner
				D471,794 S	* 3/2003 Wall
				D8/382
				6,726,155 B1	* 4/2004 Zimmerman
				248/48.1
				D492,394 S	* 6/2004 Bullinger
				D23/267
				6,854,692 B1	* 2/2005 Winkel
				248/48.1

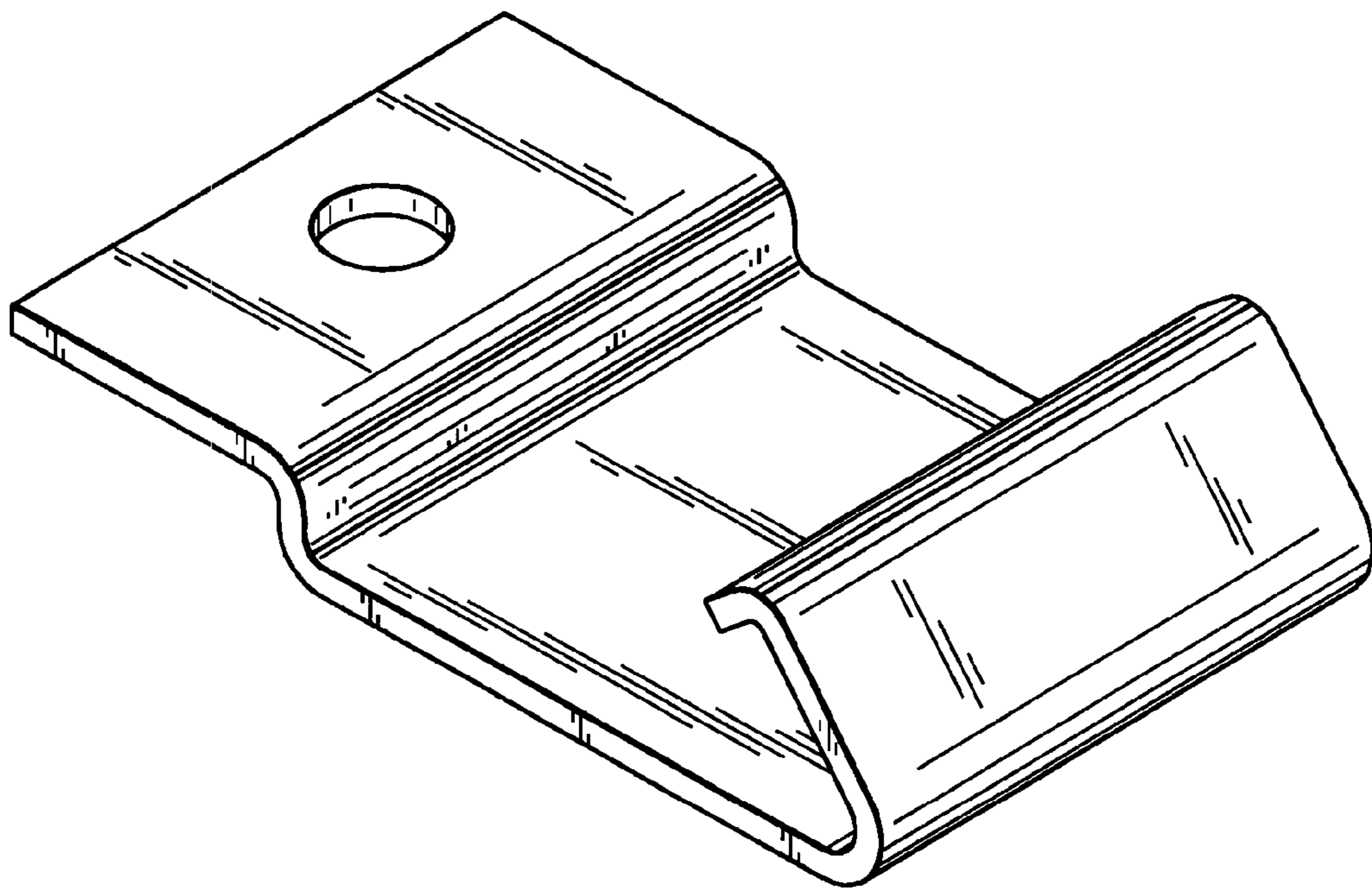


FIG. 1

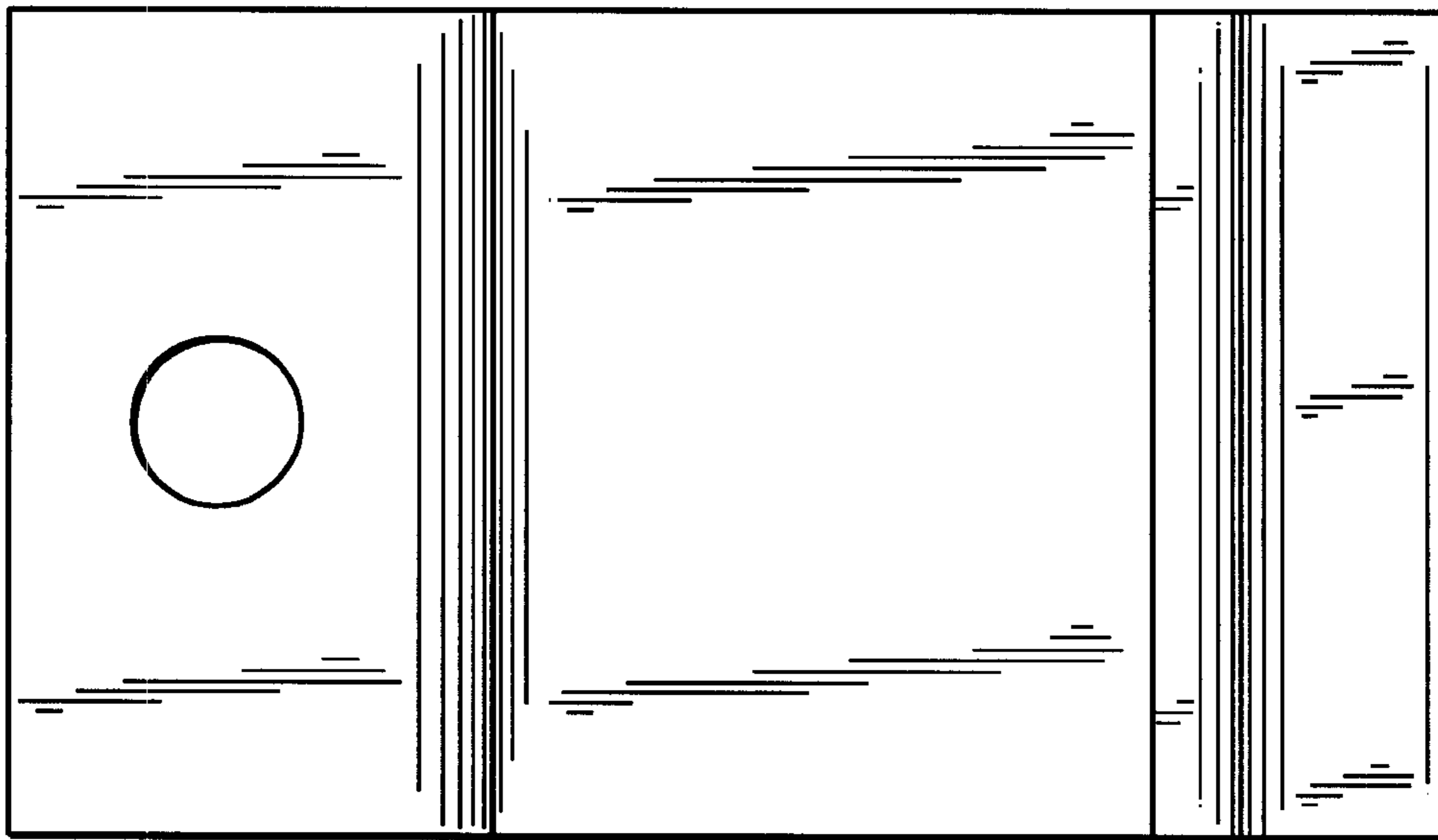


FIG. 2

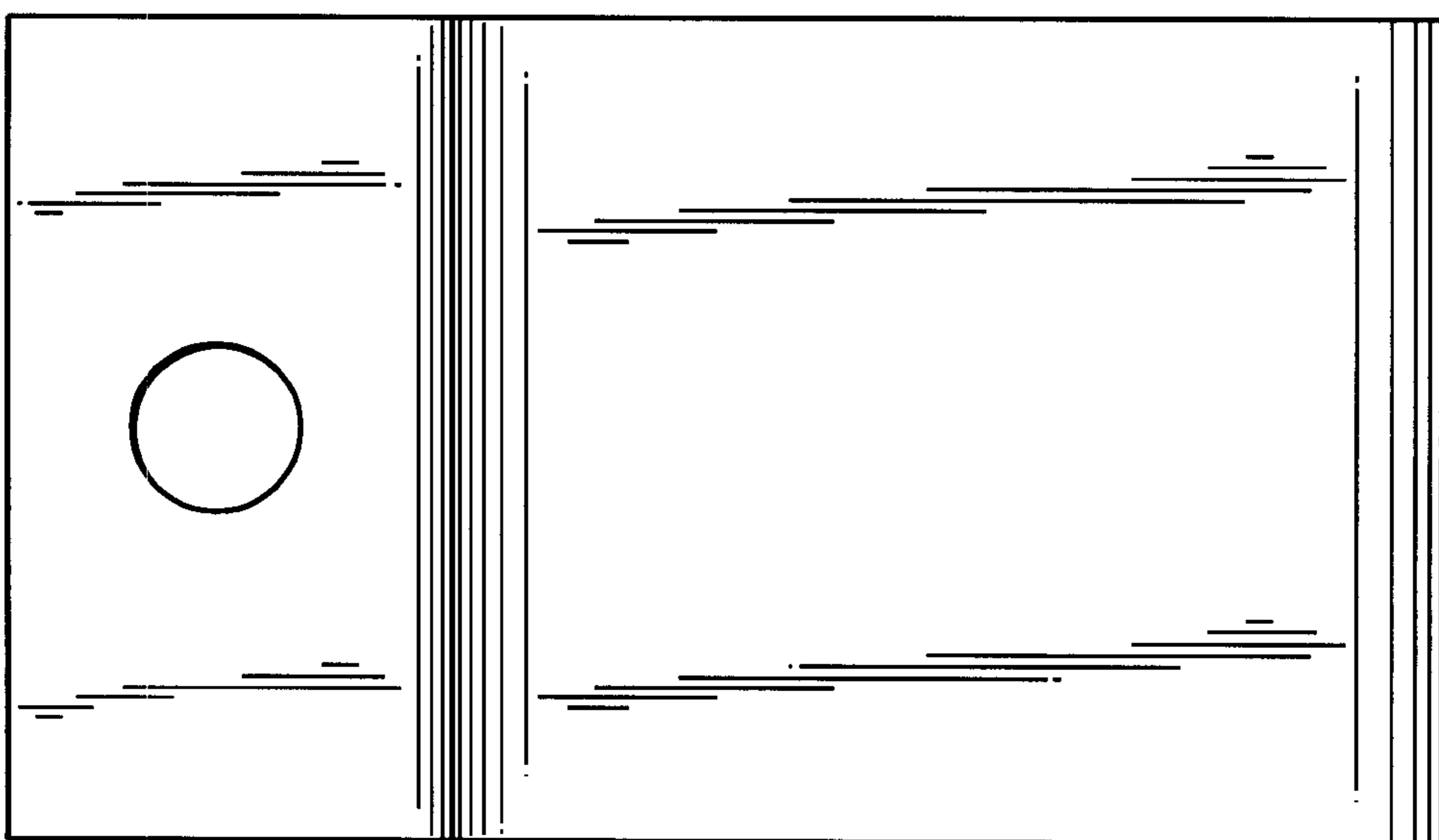


FIG. 3

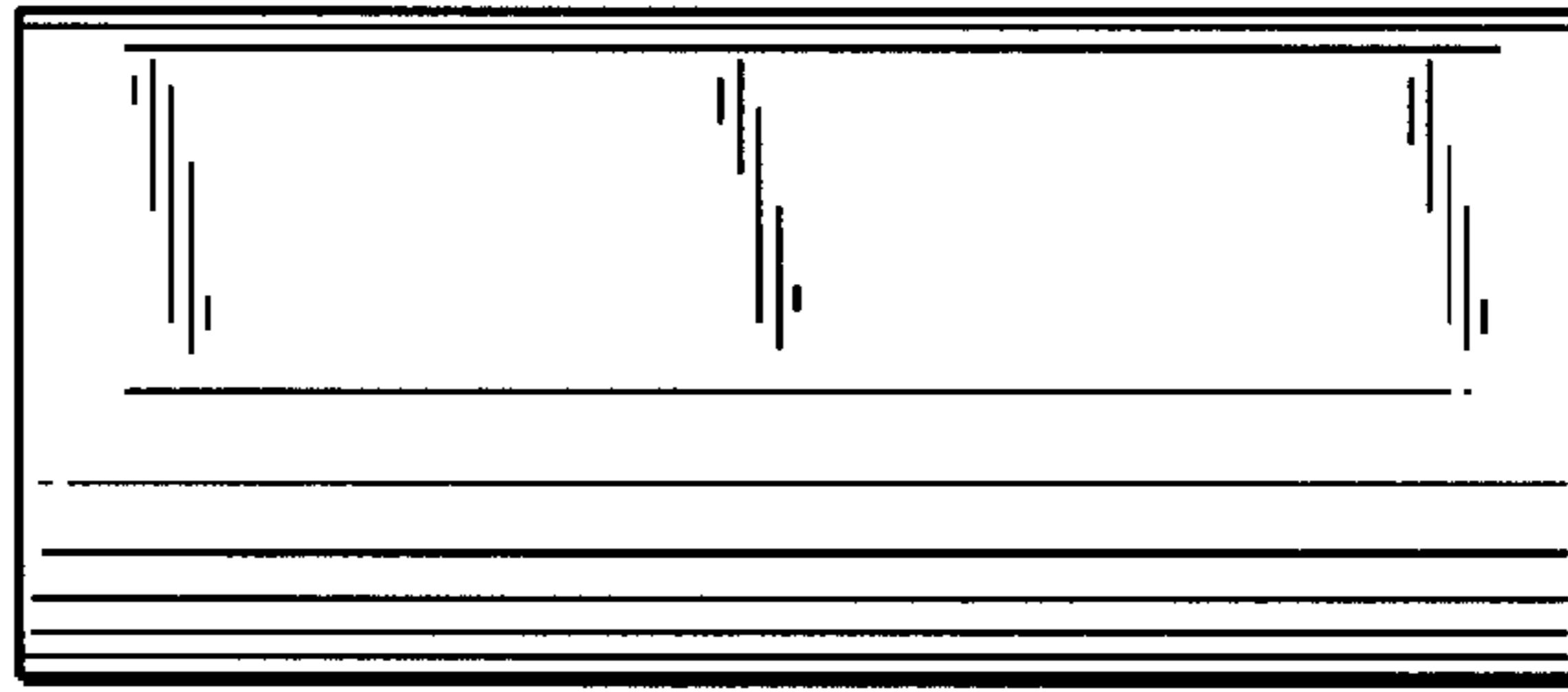


FIG. 4



FIG. 5

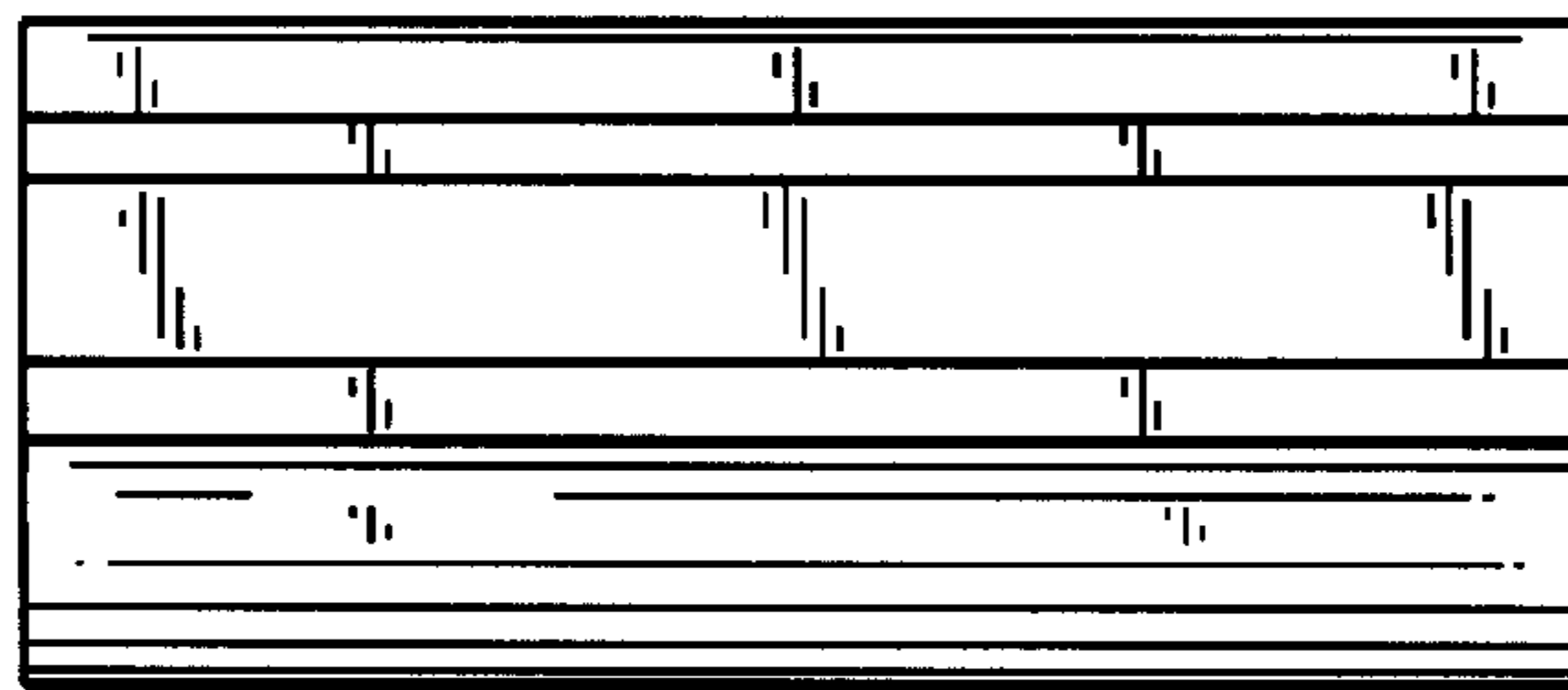


FIG. 6