



US00D532290S

(12) **United States Design Patent**
David

(10) **Patent No.:** **US D532,290 S**

(45) **Date of Patent:** **** Nov. 21, 2006**

(54) **FLAT TELEVISION WALL MOUNTING
HARDWARE WITH LOCKABLE BOTTOM
TILT POSITIONING**

D494,978 S 8/2004 Pfister
D495,713 S 9/2004 Pfister et al.
D495,714 S 9/2004 Pfister
D496,367 S 9/2004 Pfister
2002/0084396 A1 7/2002 Weaver

(76) Inventor: **Mike David**, 1230 Quarry St., Corona,
CA (US) 92879

* cited by examiner

(**) Term: **14 Years**

Primary Examiner—Holly Baynham

(21) Appl. No.: **29/222,813**

(74) *Attorney, Agent, or Firm*—Buhler & Associates; Kirk
A. Buhler

(22) Filed: **Feb. 7, 2005**

(57) **CLAIM**

(51) **LOC (8) Cl.** **08-05**

The ornamental design for a flat television wall mounting
hardware with Lockable Bottom Tilt Positioning.

(52) **U.S. Cl.** **D8/373**

(58) **Field of Classification Search** D8/373,
D8/363, 354; 248/284.1; D14/451

See application file for complete search history.

DESCRIPTION

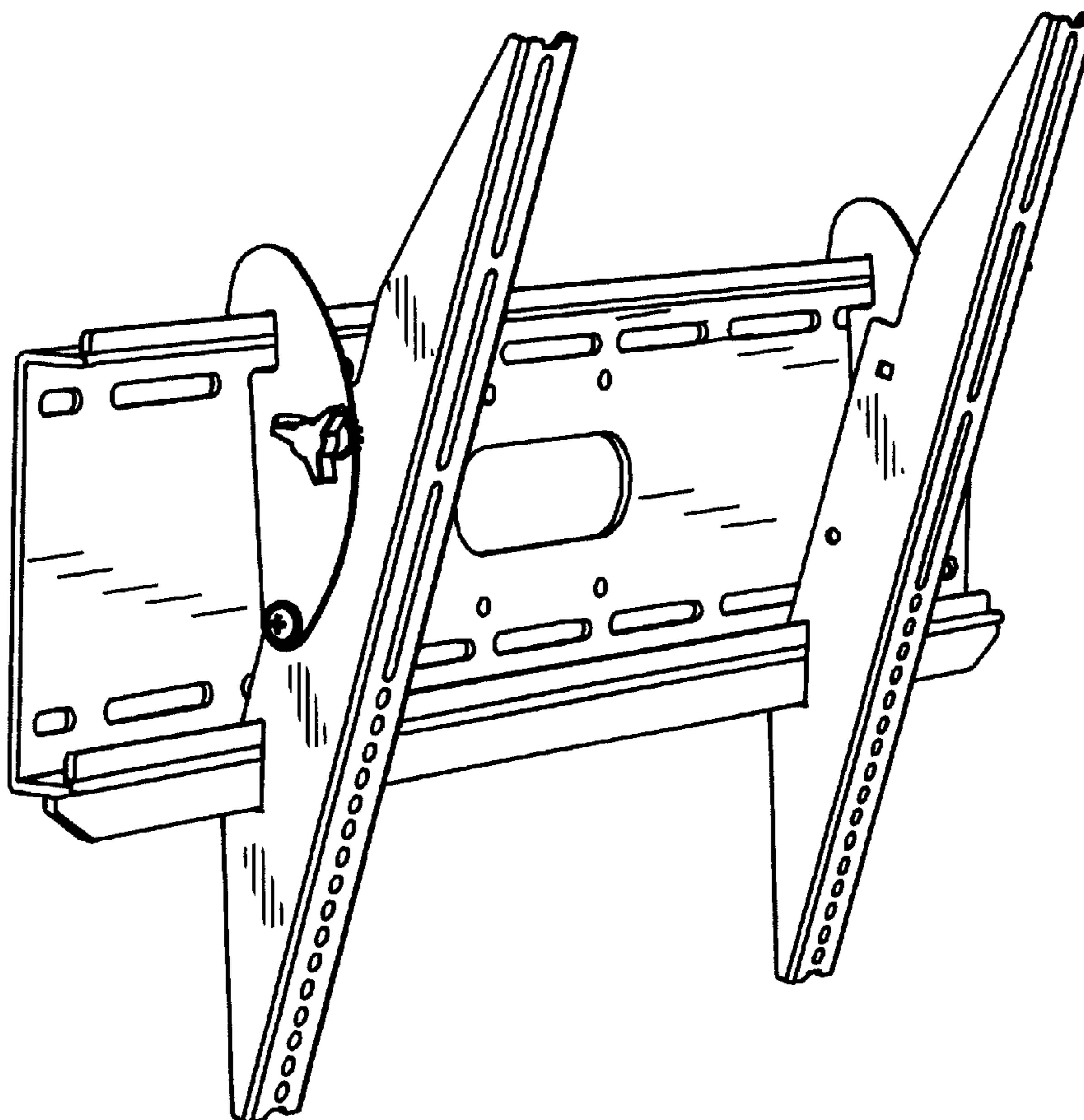
FIG. 1 is a right isometric view.
FIG. 2 is a right side view.
FIG. 3 is a bottom view
FIG. 4 is a top view.
FIG. 5 is a left side view.
FIG. 6 is a left isometric view.
FIG. 7 is a front view; and,
FIG. 8 is a back view.

(56) **References Cited**

U.S. PATENT DOCUMENTS

D415,768 S 10/1999 Howell
6,273,382 B1 8/2001 Pemberton
6,402,109 B1 * 6/2002 Dittmer 248/284.1
D493,800 S 8/2004 Pfister et al.
D494,596 S 8/2004 Pfister

1 Claim, 3 Drawing Sheets



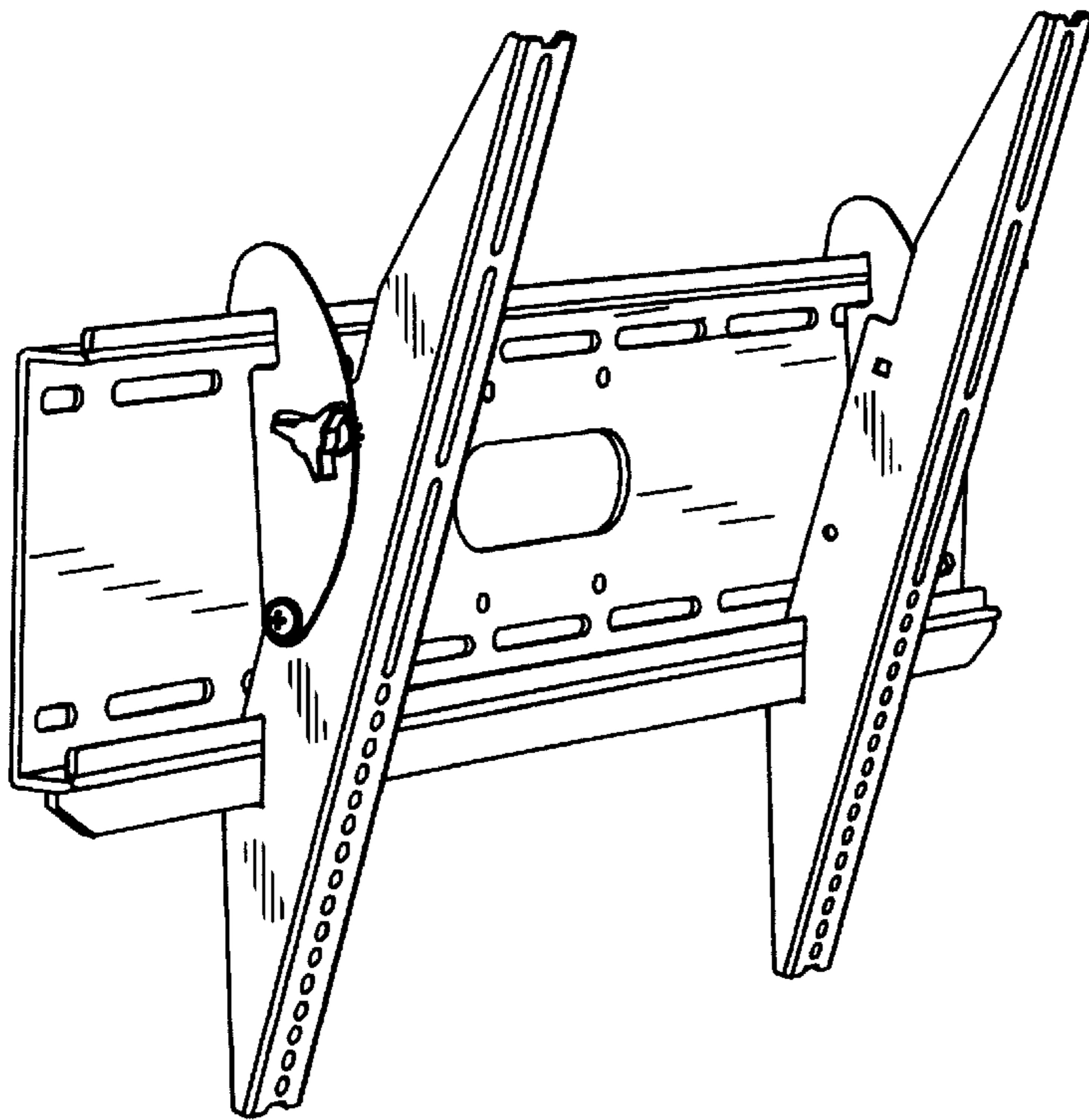


FIGURE 1

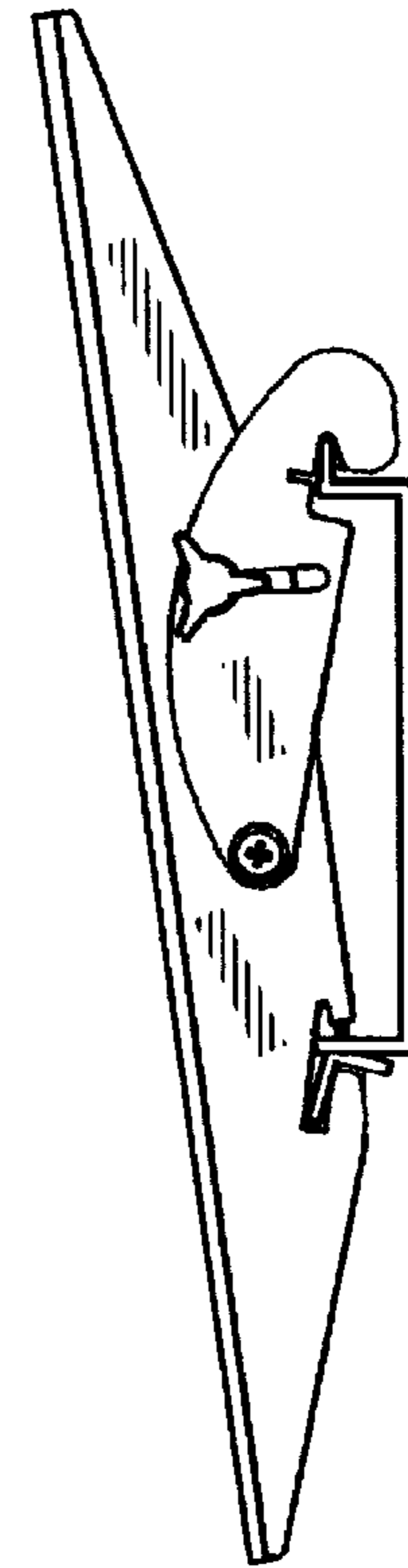


FIGURE 2



FIGURE 3

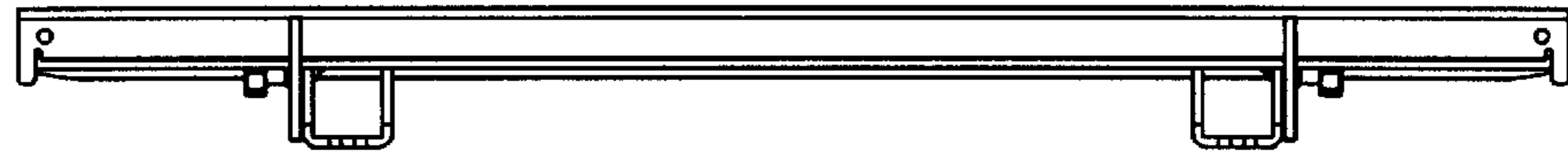


FIGURE 4

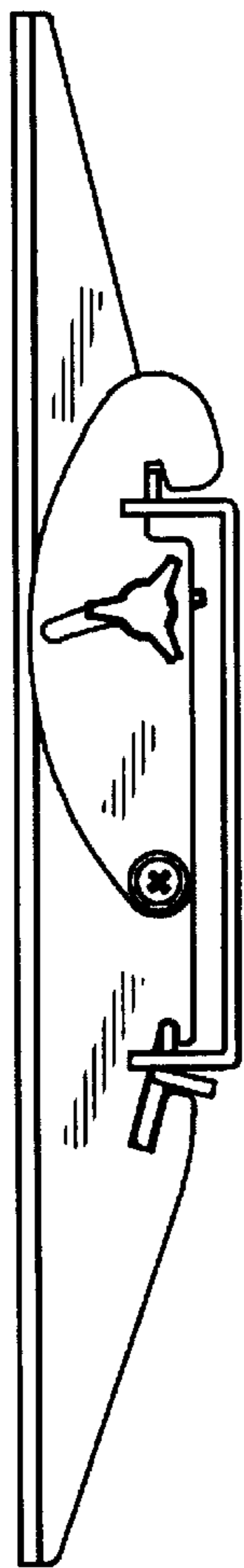


FIGURE 5

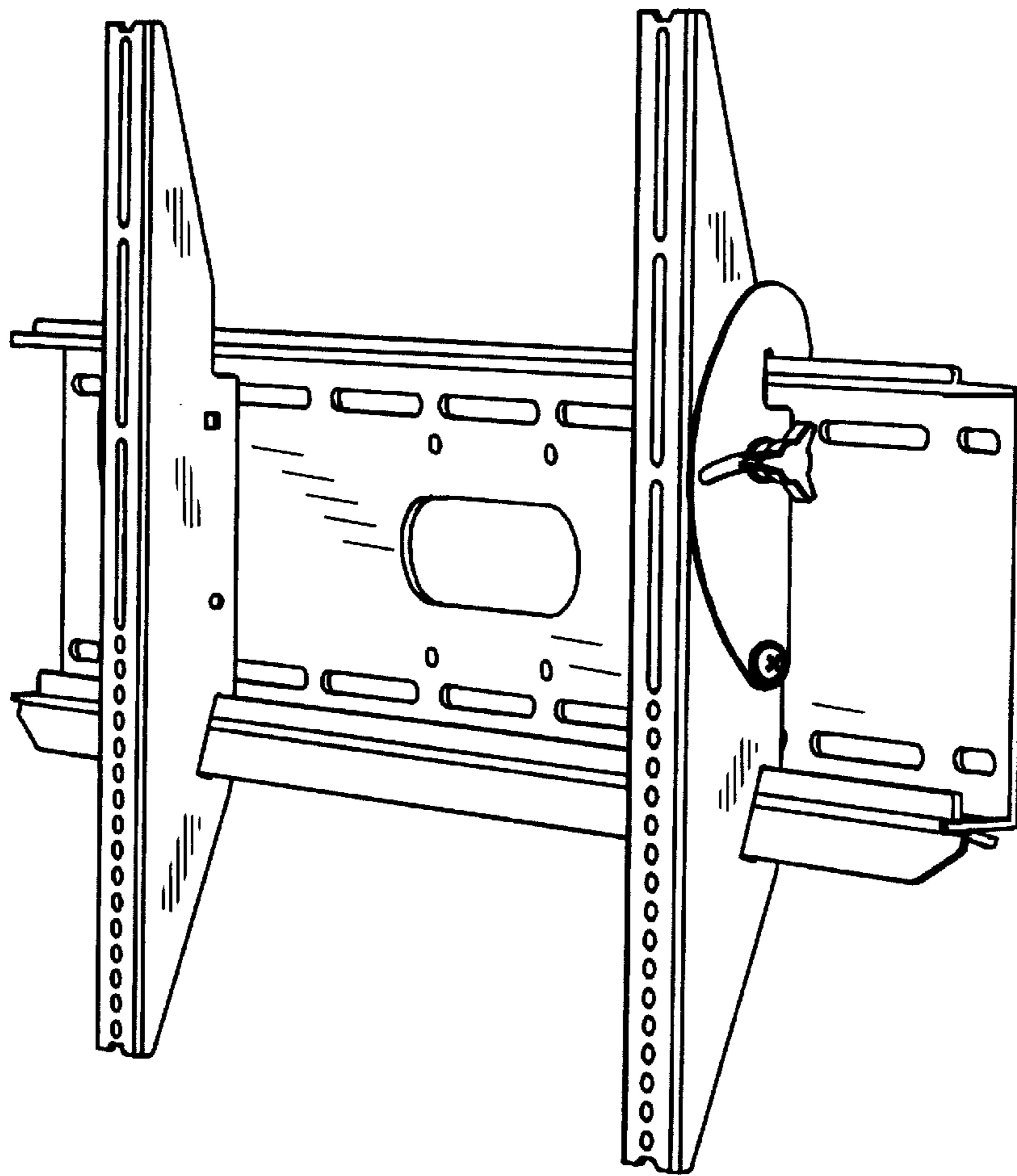


FIGURE 6

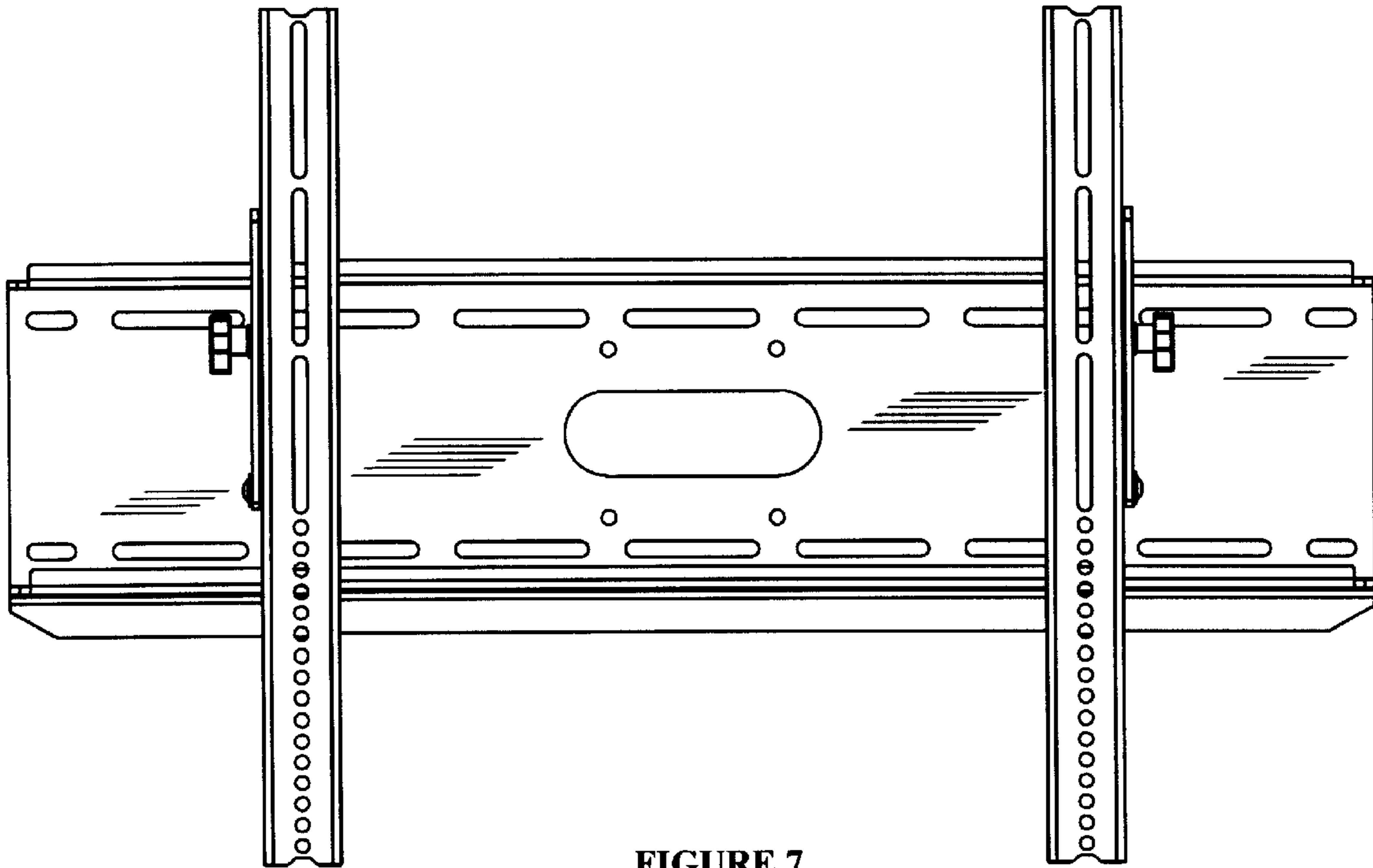


FIGURE 7

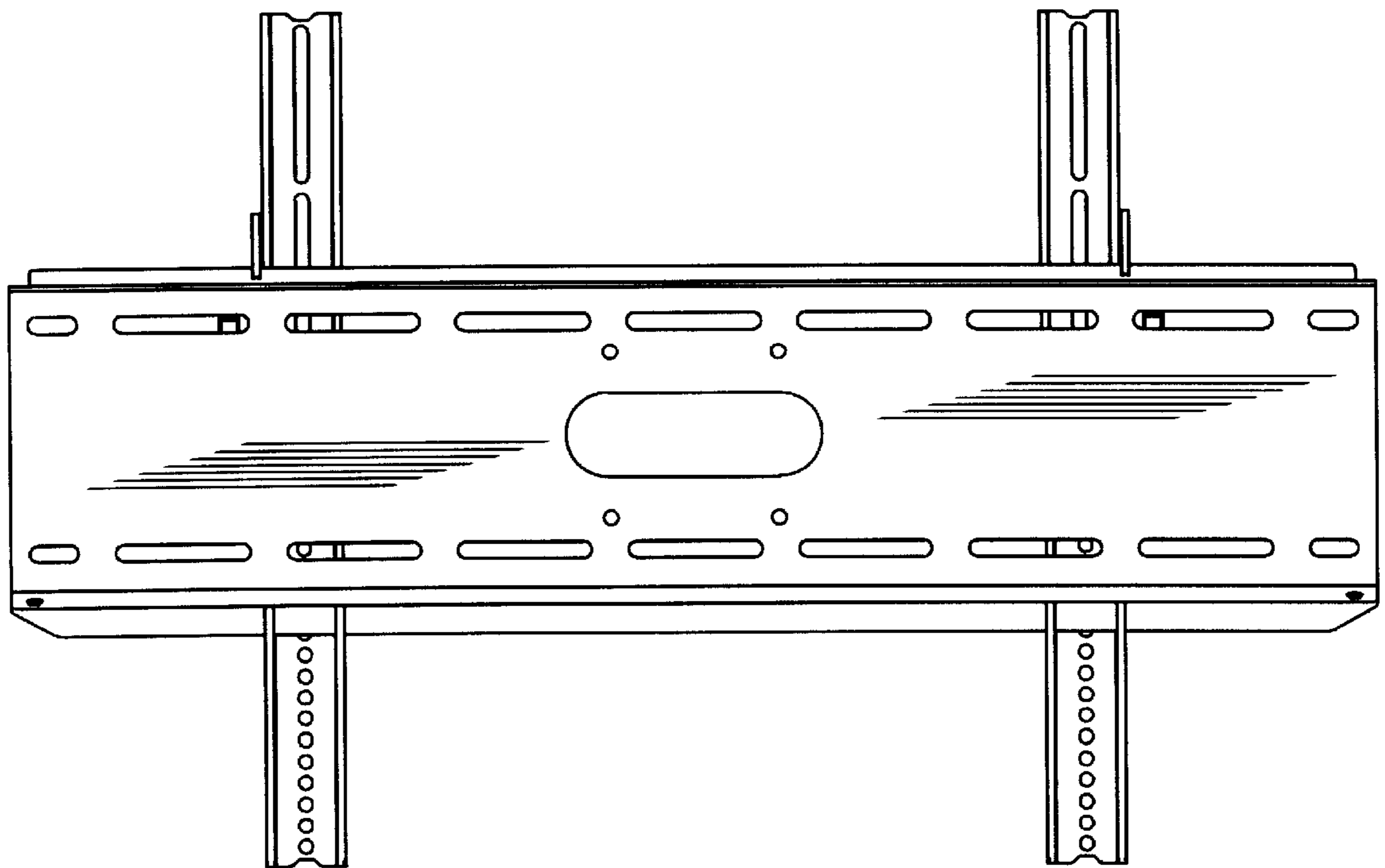


FIGURE 8