

US00D532289S

(12) **United States Design Patent**
Shea

(10) **Patent No.:** **US D532,289 S**

(45) **Date of Patent:** **** Nov. 21, 2006**

(54) **FIXED MERCHANDISE BRACKET
EXHIBITING A BENT PRODUCT DISPLAY
ARM**

D483,656 S * 12/2003 Shea D8/381

* cited by examiner

(76) **Inventor:** **Thomas M. Shea**, 984 Livernois, Troy,
MI (US) 48083

Primary Examiner—Holly Baynham
(74) *Attorney, Agent, or Firm*—Gifford, Krass, Groh,
Sprinkle, Anderson & Citkowski, P.C.

(**) **Term:** **14 Years**

(57) **CLAIM**

(21) **Appl. No.:** **29/210,499**

I claim the ornamental design for a fixed merchandise
bracket exhibiting a bent product display
arm, as shown and
described.

(22) **Filed:** **Aug. 2, 2004**

(51) **LOC (8) Cl.** **08-05**

(52) **U.S. Cl.** **D8/373**

(58) **Field of Classification Search** D8/354,
D8/373, 363, 381; 211/86.01; 248/214–215,
248/227.1, 227.4, 235, 247, 300

See application file for complete search history.

DESCRIPTION

(56) **References Cited**

U.S. PATENT DOCUMENTS

5,957,422 A	9/1999	Shea	248/220.31
6,202,866 B1	3/2001	Shea	211/87.01
D463,251 S	* 9/2002	Shea	D8/354
D465,371 S	11/2002	Shea	D6/567
D466,352 S	12/2002	Shea	D6/567
D477,769 S	* 7/2003	Shea	D8/363

FIG. 1 is an environmental perspective of the fixed mer-
chandise bracket exhibiting a bent product display arm
according to the present design;

FIG. 2 is right side view of the present design;

FIG. 3 is a left side view of the present design;

FIG. 4 is front view of the present design;

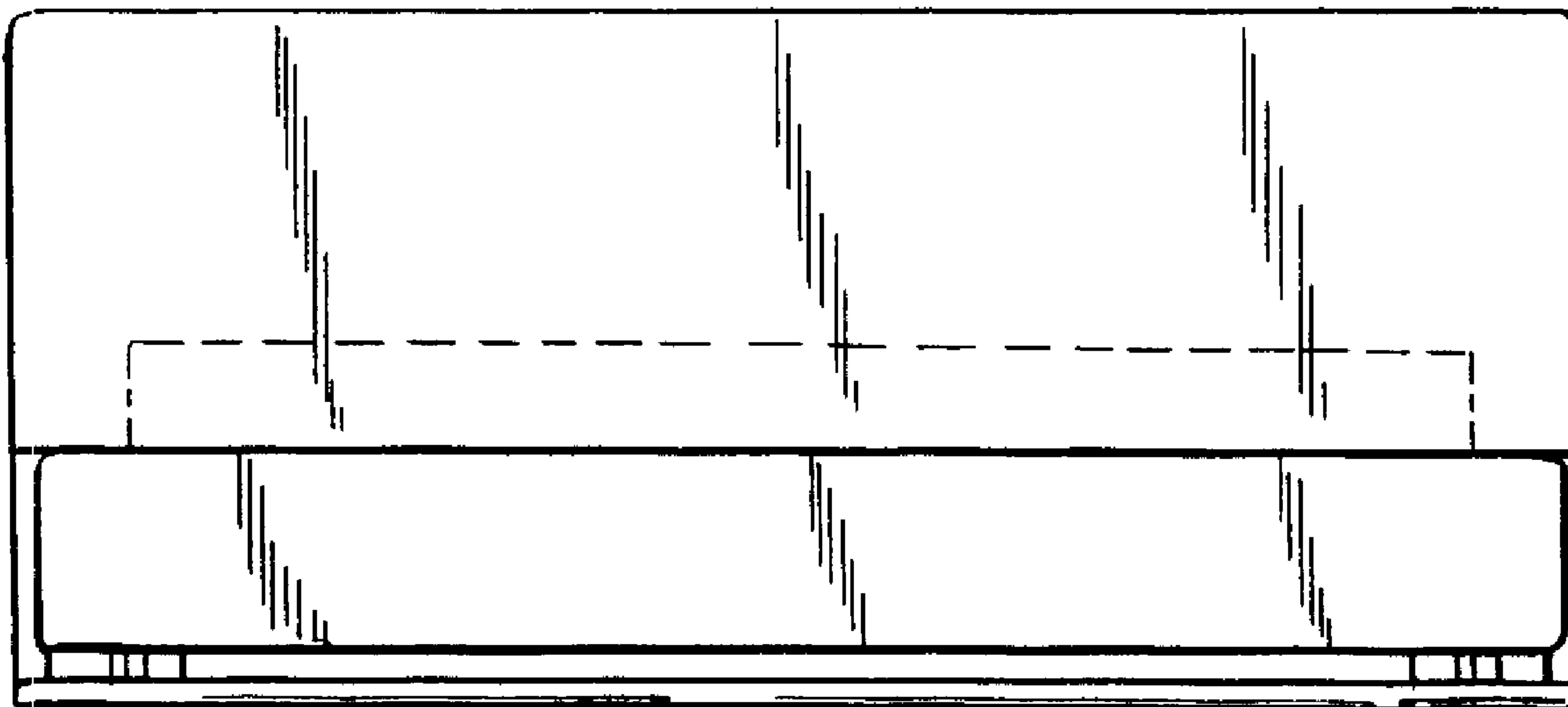
FIG. 5 is a rear view of the present design;

FIG. 6 is a top elevational view of the present design; and,

FIG. 7 is a bottom elevational view of the present design.

The broken line showing is for illustrative purposes only and
forms no part of the claimed design.

1 Claim, 2 Drawing Sheets



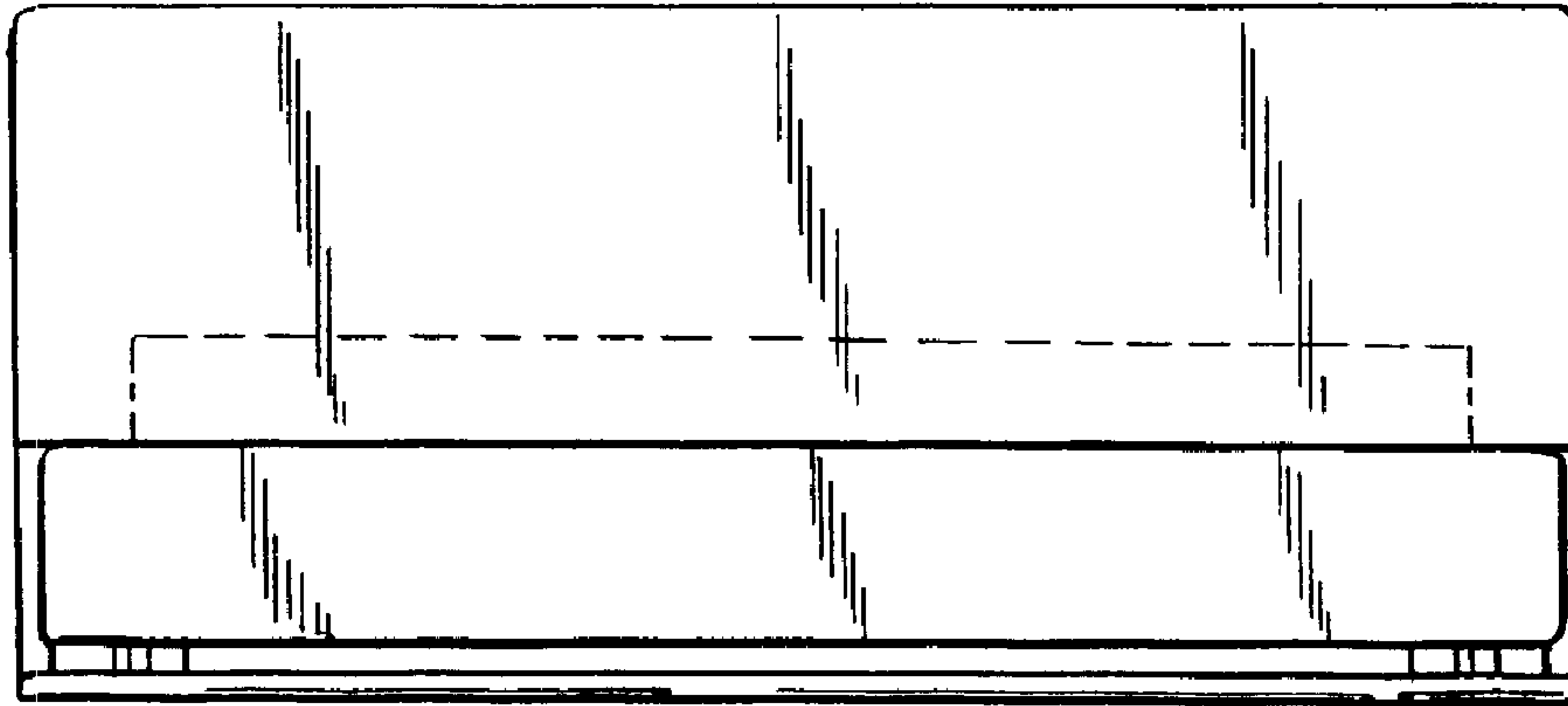


FIG. 1

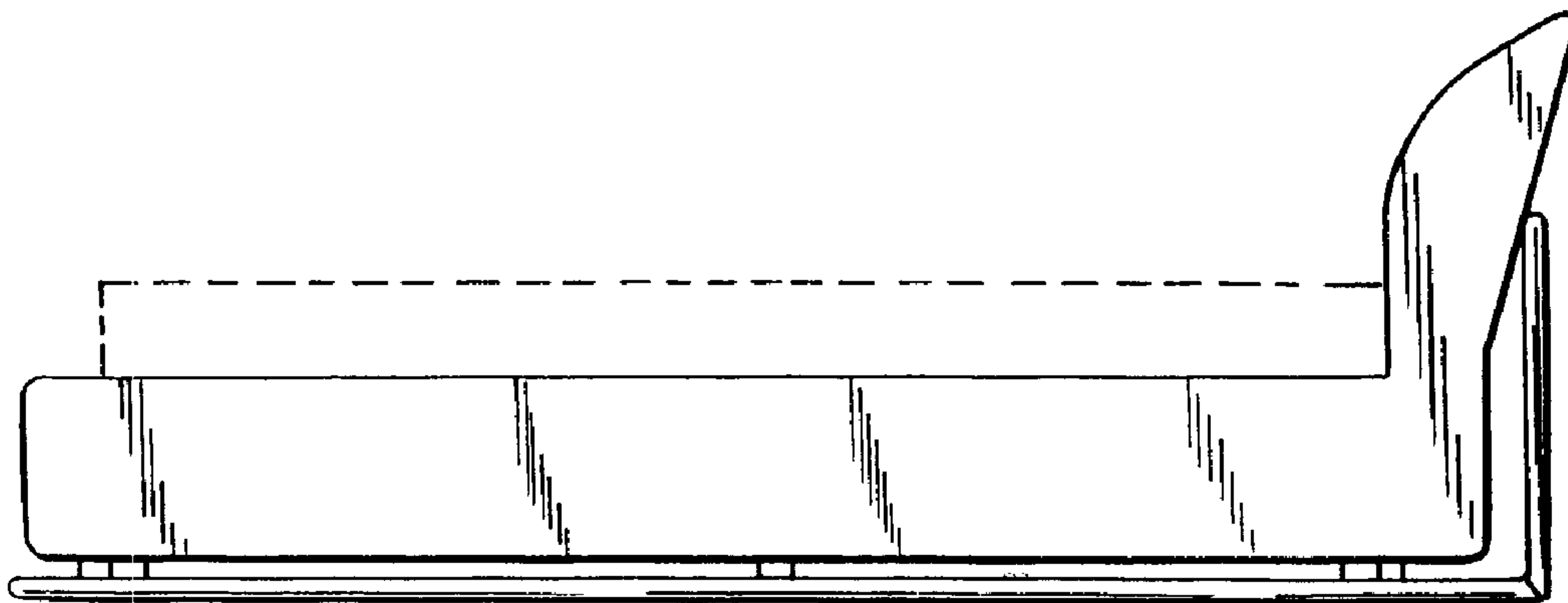


FIG. 2

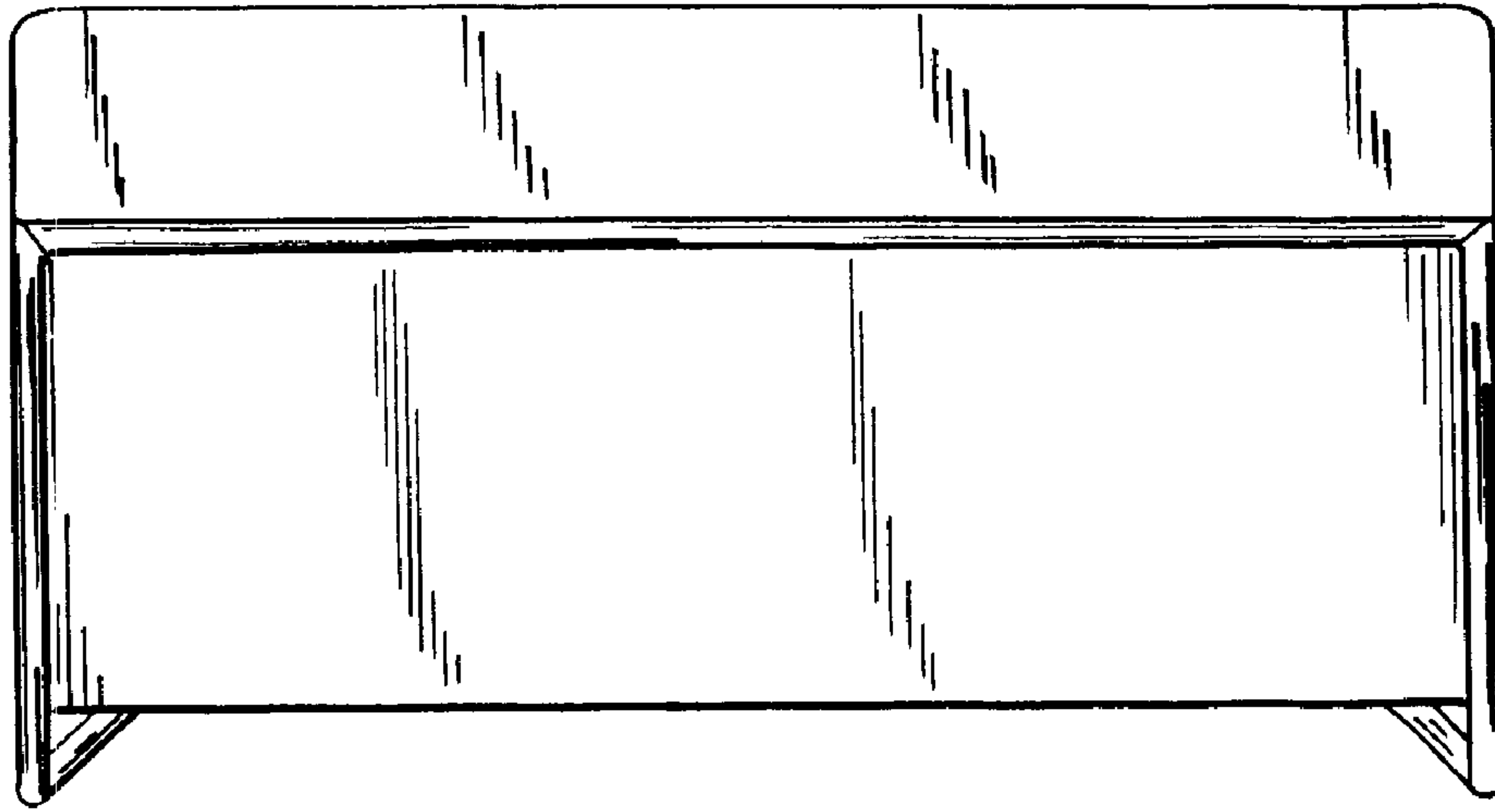


FIG. 3

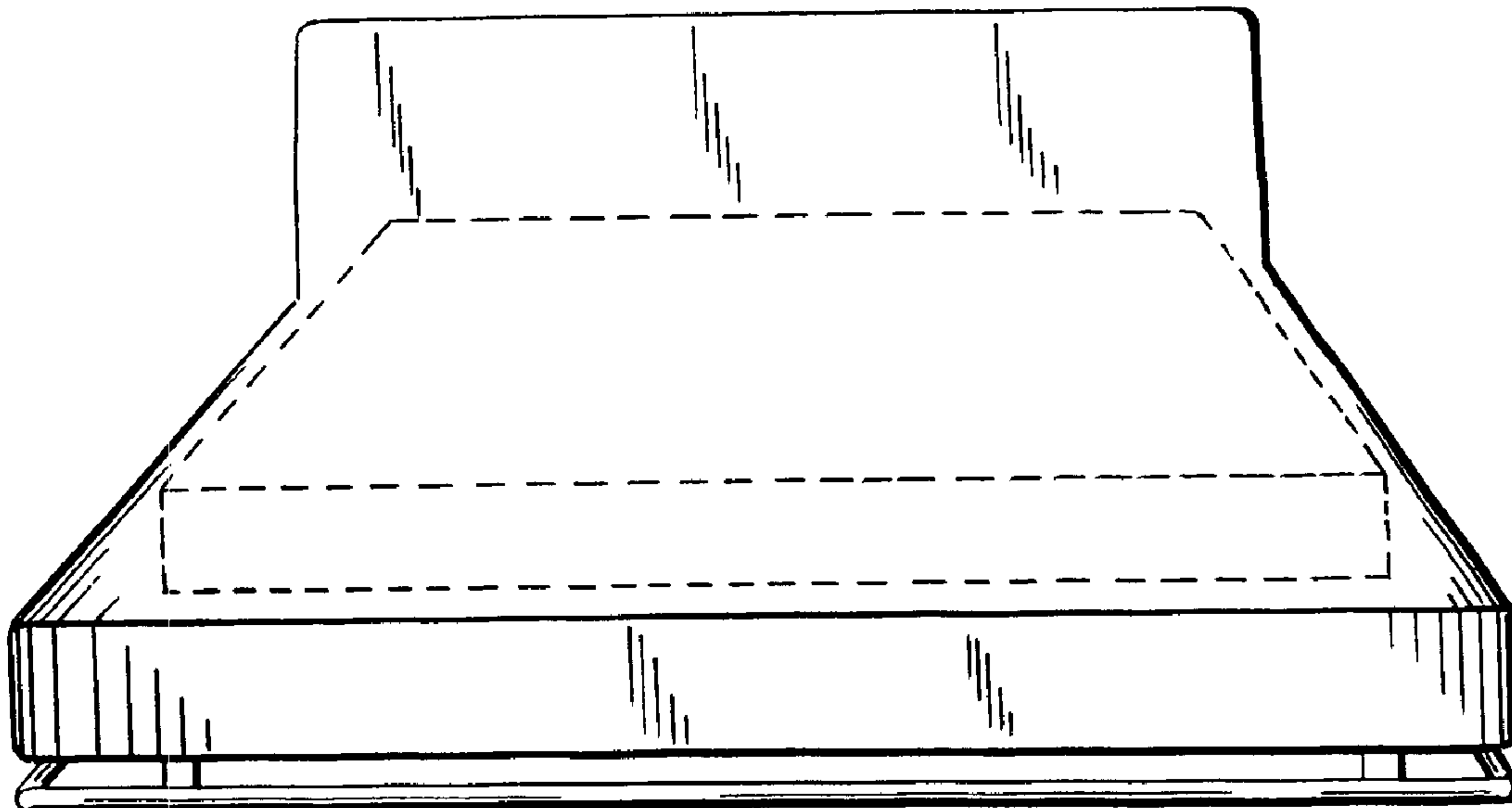


FIG. 4

UNITED STATES PATENT AND TRADEMARK OFFICE
CERTIFICATE OF CORRECTION

PATENT NO. : Des. 532,289 S
APPLICATION NO. : 29/210499
DATED : November 21, 2006
INVENTOR(S) : Shea

Page 1 of 6

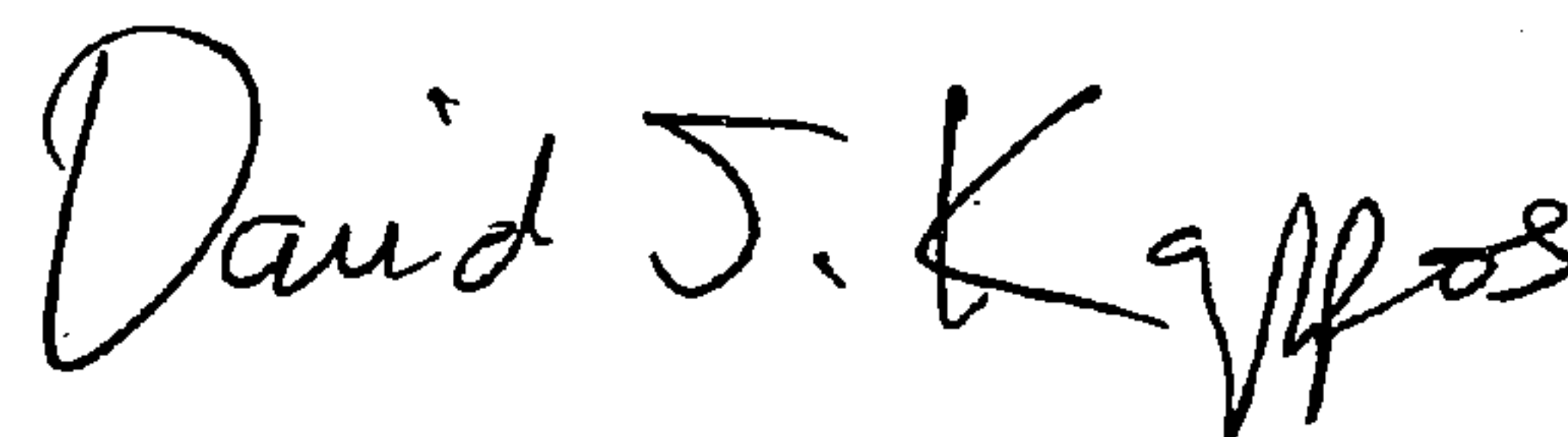
It is certified that error appears in the above-identified patent and that said Letters Patent is hereby corrected as shown below:

The title page showing the illustrative figure should be deleted to be replaced with the attached title page.

The drawing sheets, consisting of Figs. 1-4, should be deleted to be replaced with the drawing sheets, consisting of Figs. 1-14, as shown on the attached pages.

Signed and Sealed this

Twenty-seventh Day of October, 2009

A handwritten signature in black ink that reads "David J. Kappos". The signature is written in a cursive, slightly slanted style.

David J. Kappos
Director of the United States Patent and Trademark Office

(12) **United States Design Patent**
Shea

(10) **Patent No.:** US D532,289 S
 (45) **Date of Patent:** ** Nov. 21, 2006

(54) **FIXED MERCHANDISE BRACKET
 EXHIBITING A BENT PRODUCT DISPLAY
 ARM**

D483,656 S * 12/2003 Shea D8/381

* cited by examiner

(76) **Inventor:** Thomas M. Shea, 984 Livernois, Troy, MI (US) 48083

Primary Examiner—Holly Baynham
 (74) *Attorney, Agent, or Firm* Gifford, Krass, Groh, Sprinkle, Anderson & Citkowski, P.C.

(**) **Term:** 14 Years

(57) **CLAIM**

(21) **Appl. No.:** 29/210,499

I claim the ornamental design for a fixed merchandise bracket exhibiting a bent product display arm, as shown and described.

(22) **Filed:** Aug. 2, 2004

(51) **LOC (8) Cl.** 08-05

(52) **U.S. Cl.** D8/373

(58) **Field of Classification Search** D8/354,
 D8/373, 363, 381; 211/86.01; 248/214-215,
 248/227.1, 227.4, 235, 247, 300

See application file for complete search history.

DESCRIPTION

FIG. 1 is an environmental perspective of the fixed merchandise bracket exhibiting a bent product display arm according to the present design;

FIG. 2 is right side view of the present design;

FIG. 3 is a left side view of the present design;

FIG. 4 is front view of the present design;

FIG. 5 is a rear view of the present design;

FIG. 6 is a top elevational view of the present design; and,

FIG. 7 is a bottom elevational view of the present design.

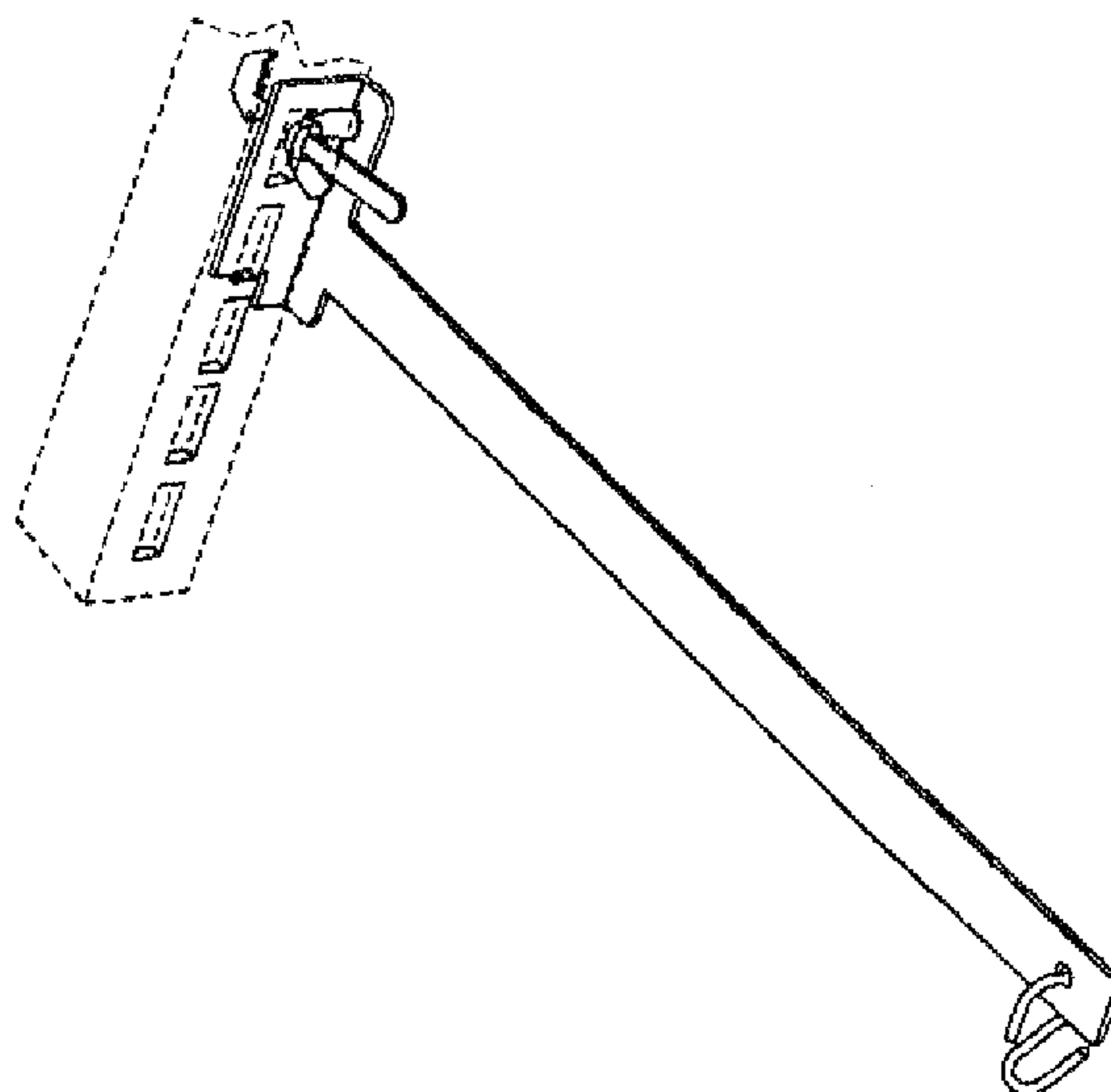
The broken line showing is for illustrative purposes only and forms no part of the claimed design.

(56) **References Cited**

U.S. PATENT DOCUMENTS

5,957,422 A	9/1999	Shea	248/220.31
6,202,866 B1	3/2001	Shea	211/87.01
D463,251 S *	9/2002	Shea	D8/354
D465,371 S	11/2002	Shea	D6/567
D466,352 S	12/2002	Shea	D6/567
D477,769 S *	7/2003	Shea	D8/363

1 Claim, 2 Drawing Sheets



U.S. Patent

Nov. 21, 2006

Sheet 1 of 4

D532,289 S

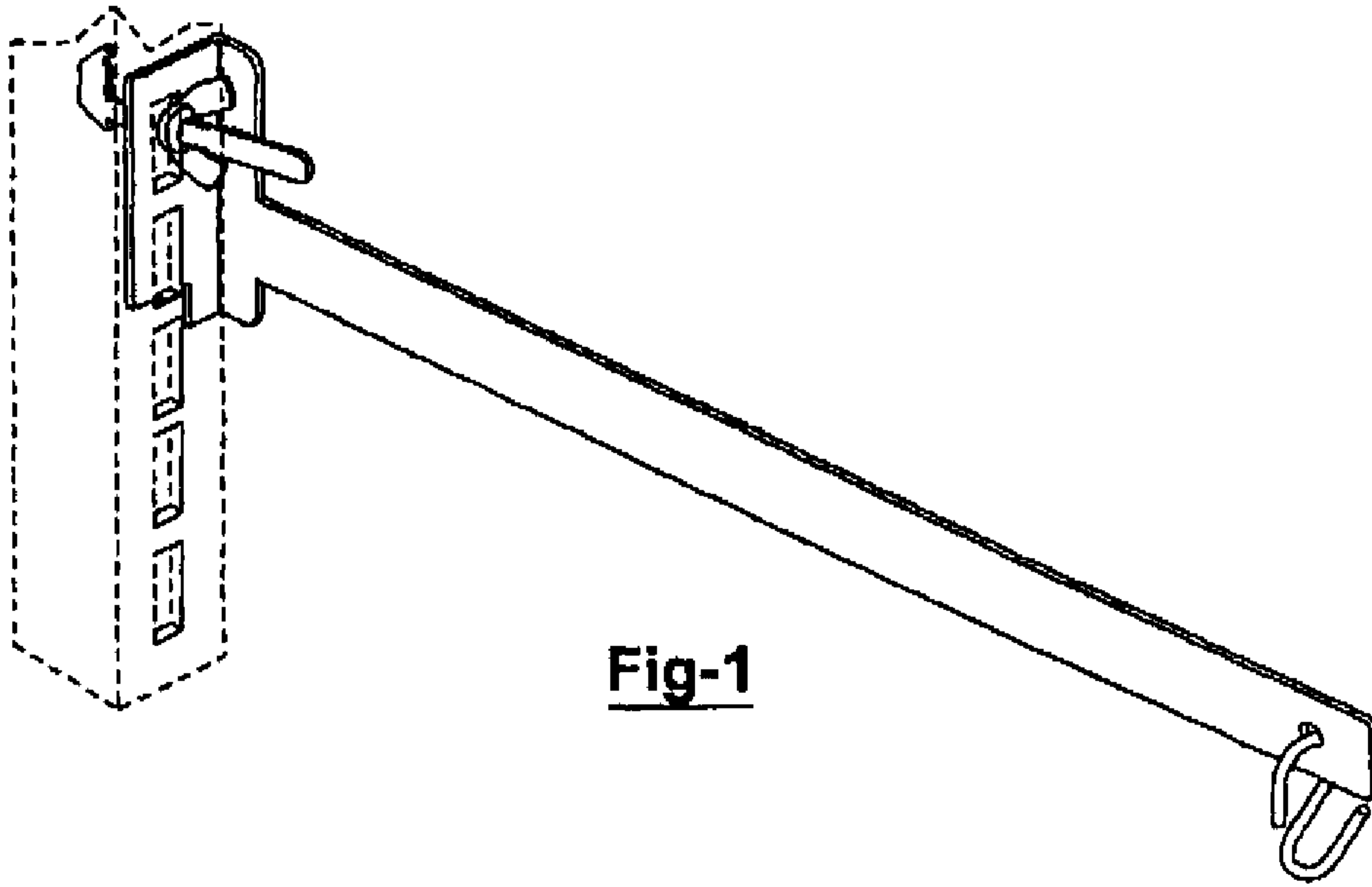


Fig-1

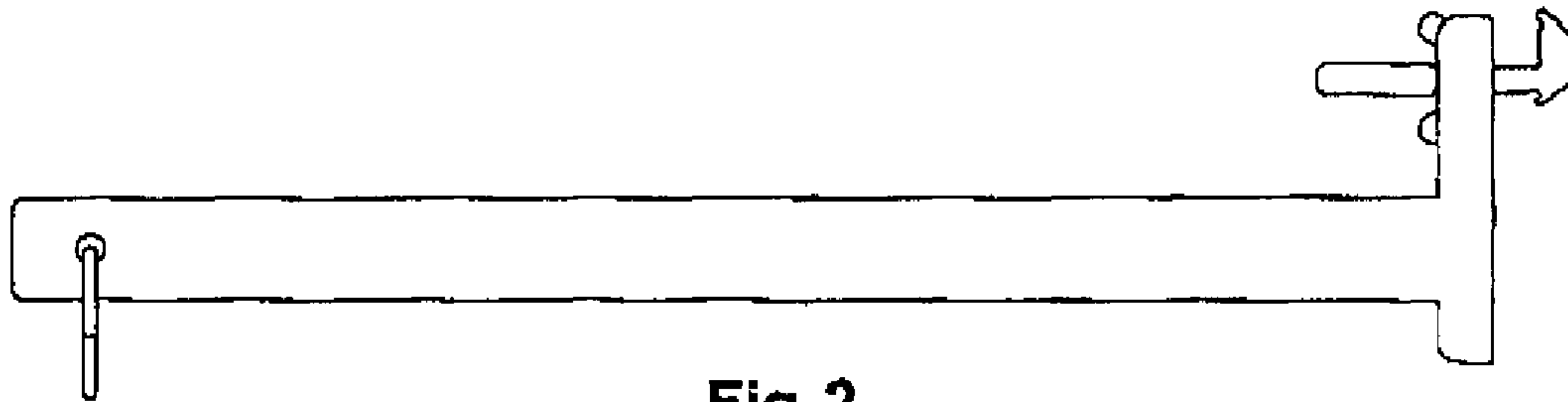


Fig-2

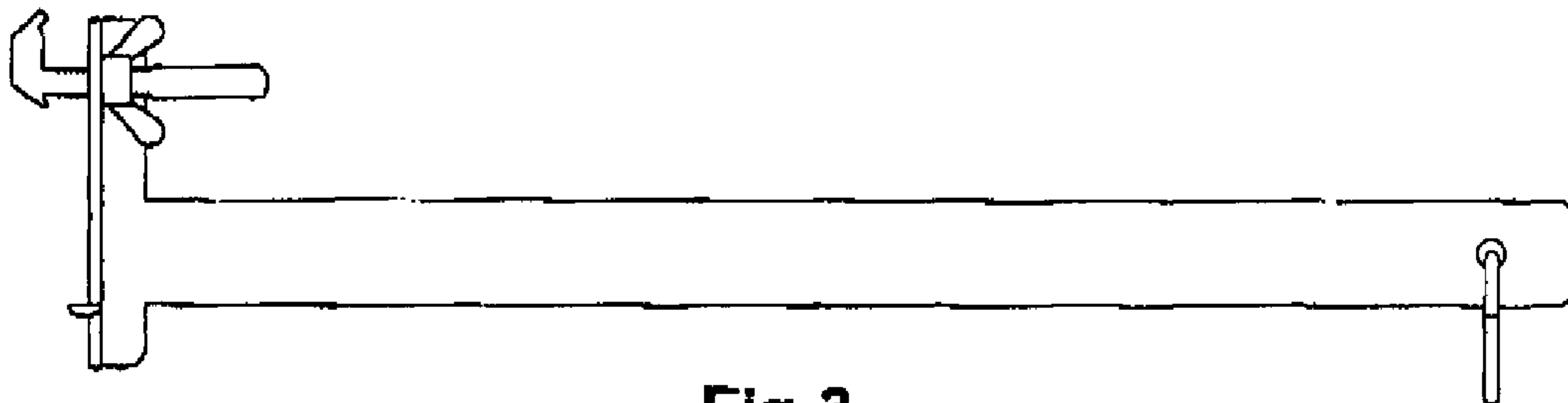


Fig-3

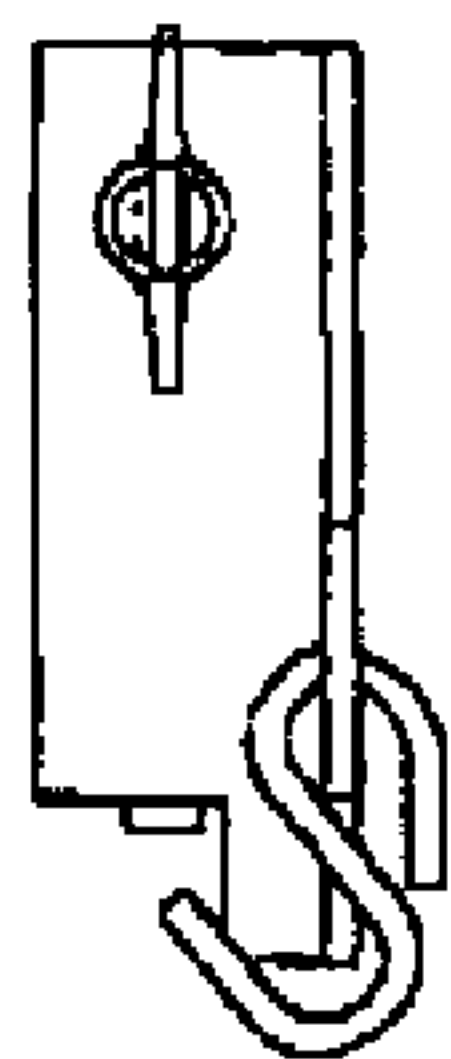


Fig-4

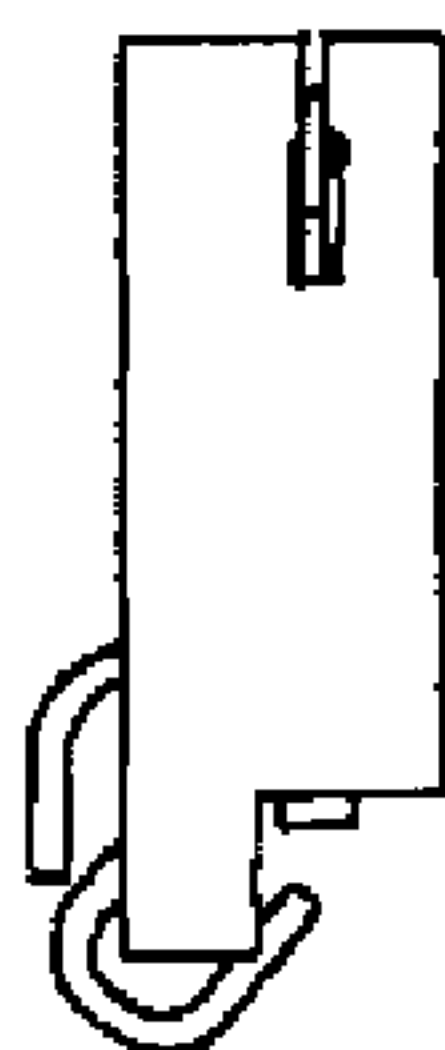


Fig-5

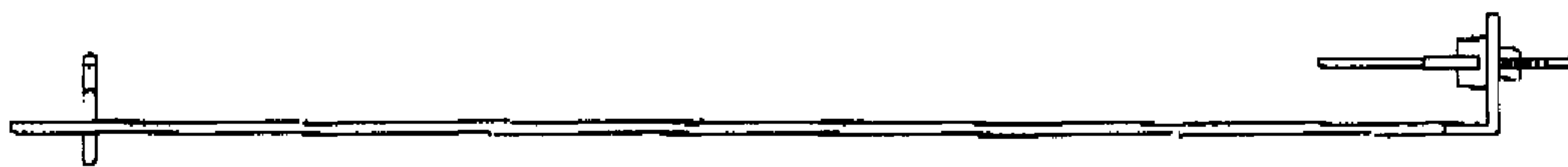


Fig-6

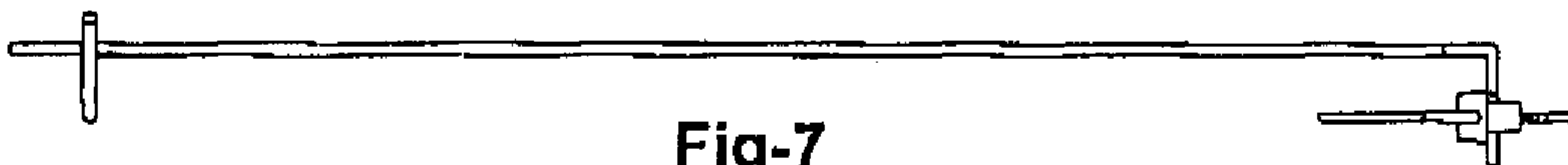


Fig-7

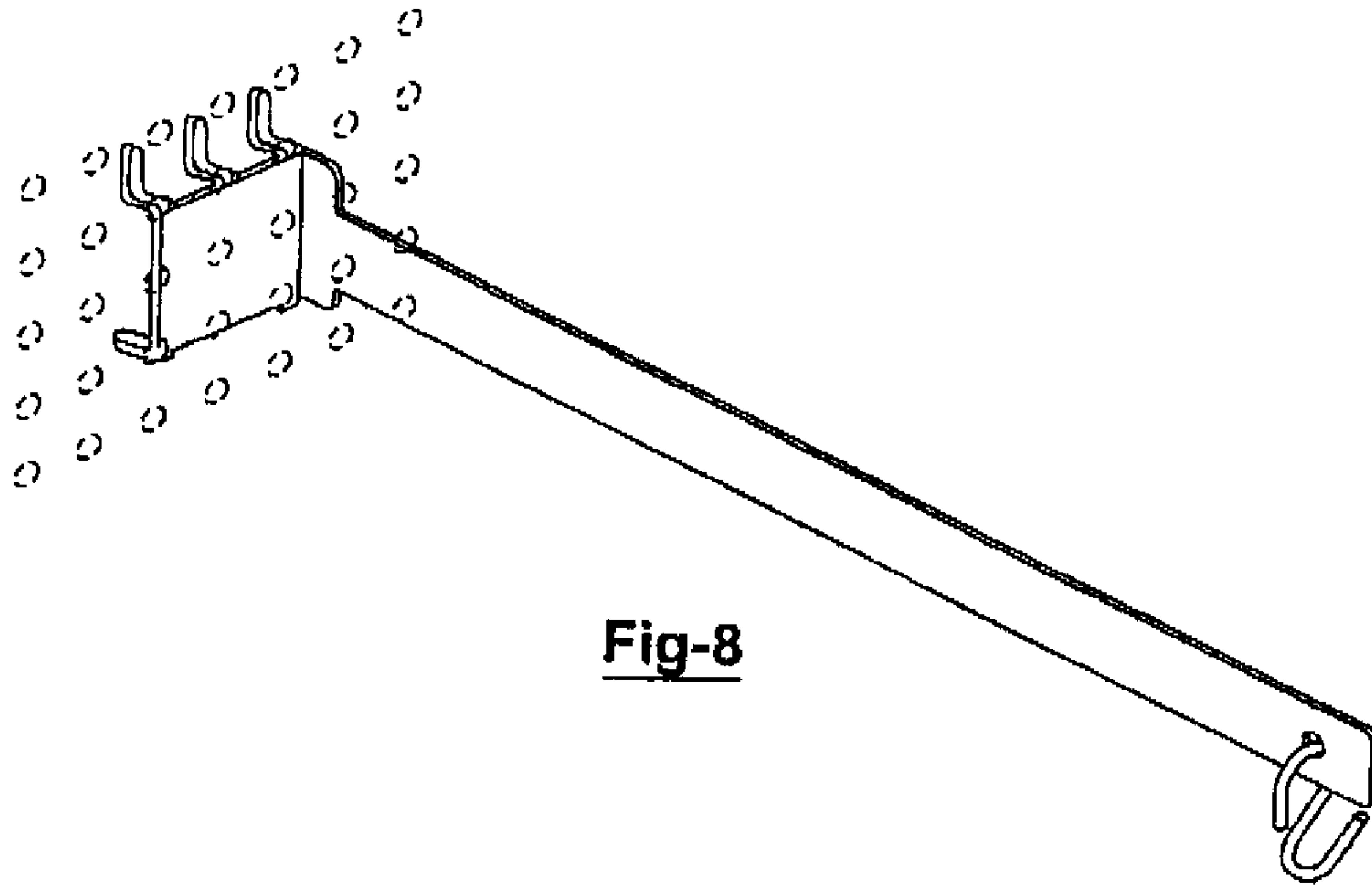


Fig-8

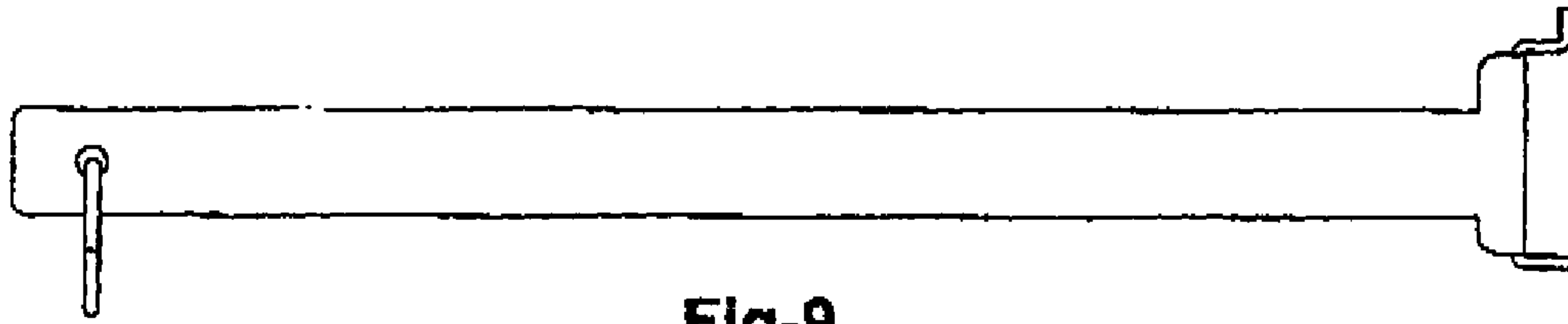


Fig-9

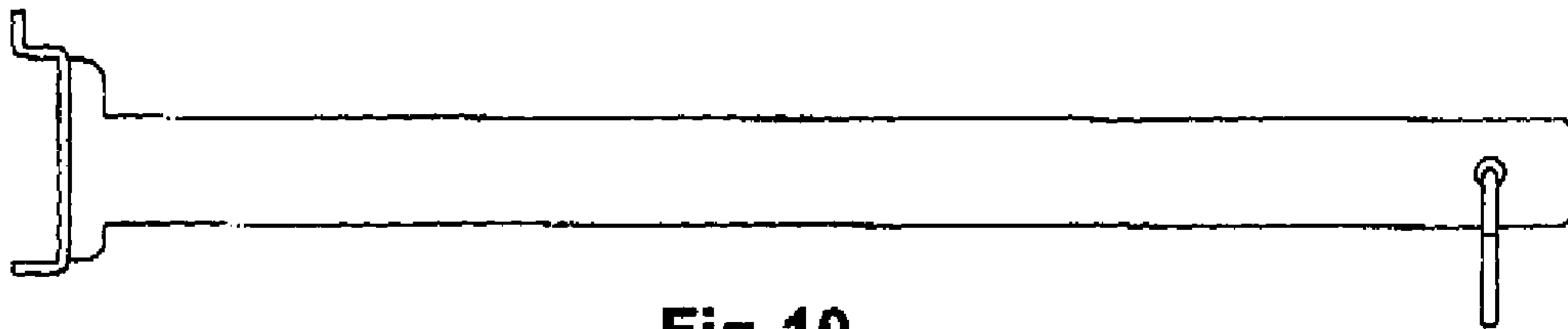


Fig-10

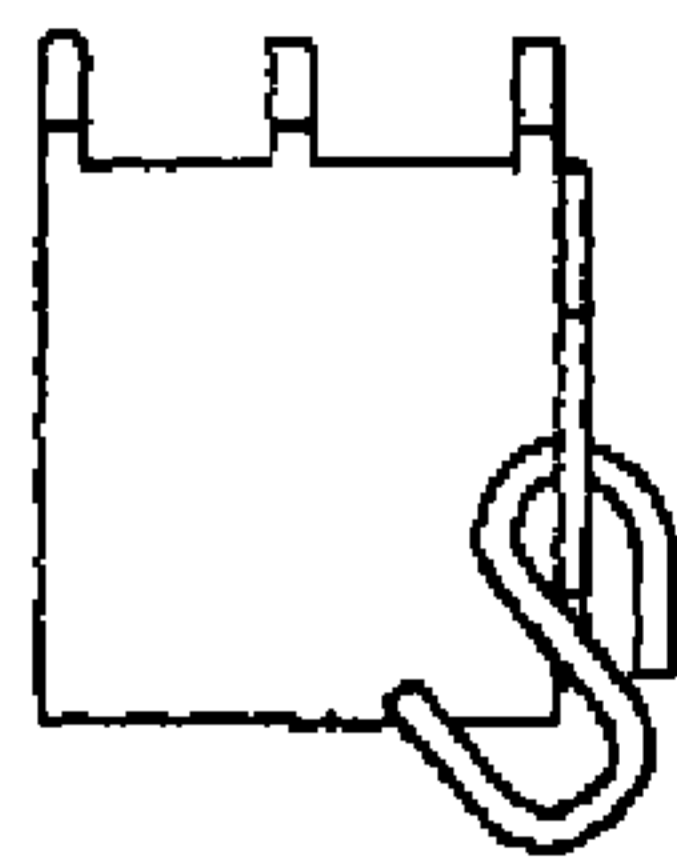


Fig-11

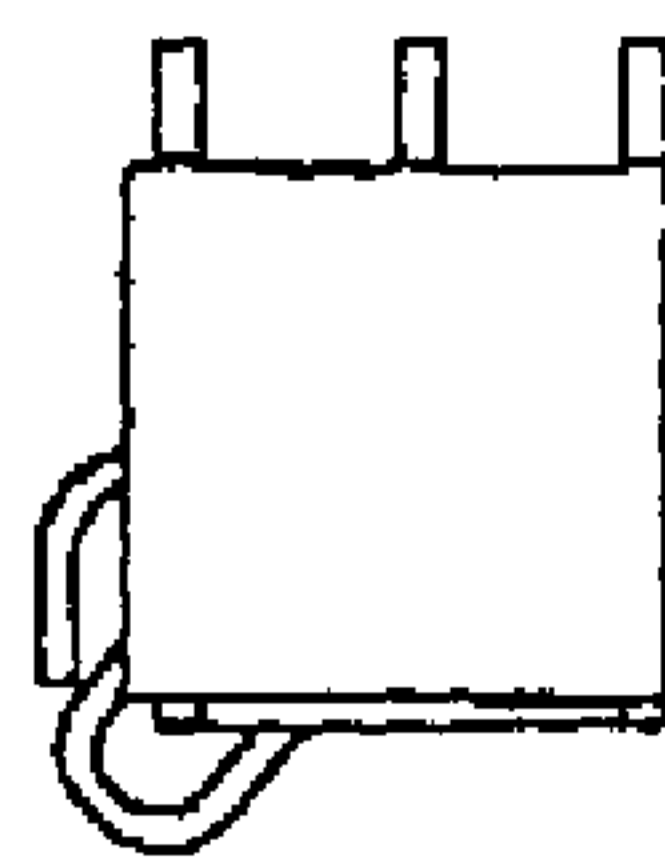


Fig-12



Fig-13



Fig-14