



US00D532287S

(12) **United States Design Patent**  
**Daugherty**

(10) **Patent No.:** **US D532,287 S**

(45) **Date of Patent:** **\*\* Nov. 21, 2006**

- (54) **KEY**
- (75) Inventor: **Eugene F. Daugherty**, San Antonio, TX (US)
- (73) Assignee: **Southern Folger Detention Equipment Company, LLC**, San Antonio, TX (US)
- (\*\*) Term: **14 Years**
- (21) Appl. No.: **29/256,667**
- (22) Filed: **Mar. 23, 2006**
- (51) **LOC (8) Cl.** ..... **08-07**
- (52) **U.S. Cl.** ..... **D8/347**
- (58) **Field of Classification Search** ..... D8/347, D8/348; 70/347, 271, 278.2, 336, 344, 348, 70/357, 382, 393, 429, 402-414, 469, 448  
See application file for complete search history.

(56) **References Cited**

**U.S. PATENT DOCUMENTS**

289,284	A	*	11/1883	Lincoln	.....	70/393
365,304	A	*	6/1887	Gurney	.....	70/393
371,823	A	*	10/1887	Cowles	.....	70/393
600,618	A	*	3/1898	Lockwood	.....	70/393
D36,741	S	*	1/1904	Oaley	.....	D8/347

D155,297	S	*	9/1949	Kushner	.....	D8/82
3,541,818	A	*	11/1970	Dana	.....	70/393
5,560,234	A	*	10/1996	Ross et al.	.....	70/352
D433,315	S	*	11/2000	Chen	.....	D8/347
6,519,989	B1	*	2/2003	Hirvi	.....	70/492
6,755,061	B1	*	6/2004	Herzenberg	.....	70/408
2003/0134600	A1	*	7/2003	Picone et al.	.....	455/68

\* cited by examiner

*Primary Examiner*—Prabhakar Deshmukh

(74) *Attorney, Agent, or Firm*—David O. Seeley; Thomas J. Rossa; Holme Roberts & Owen, LLP

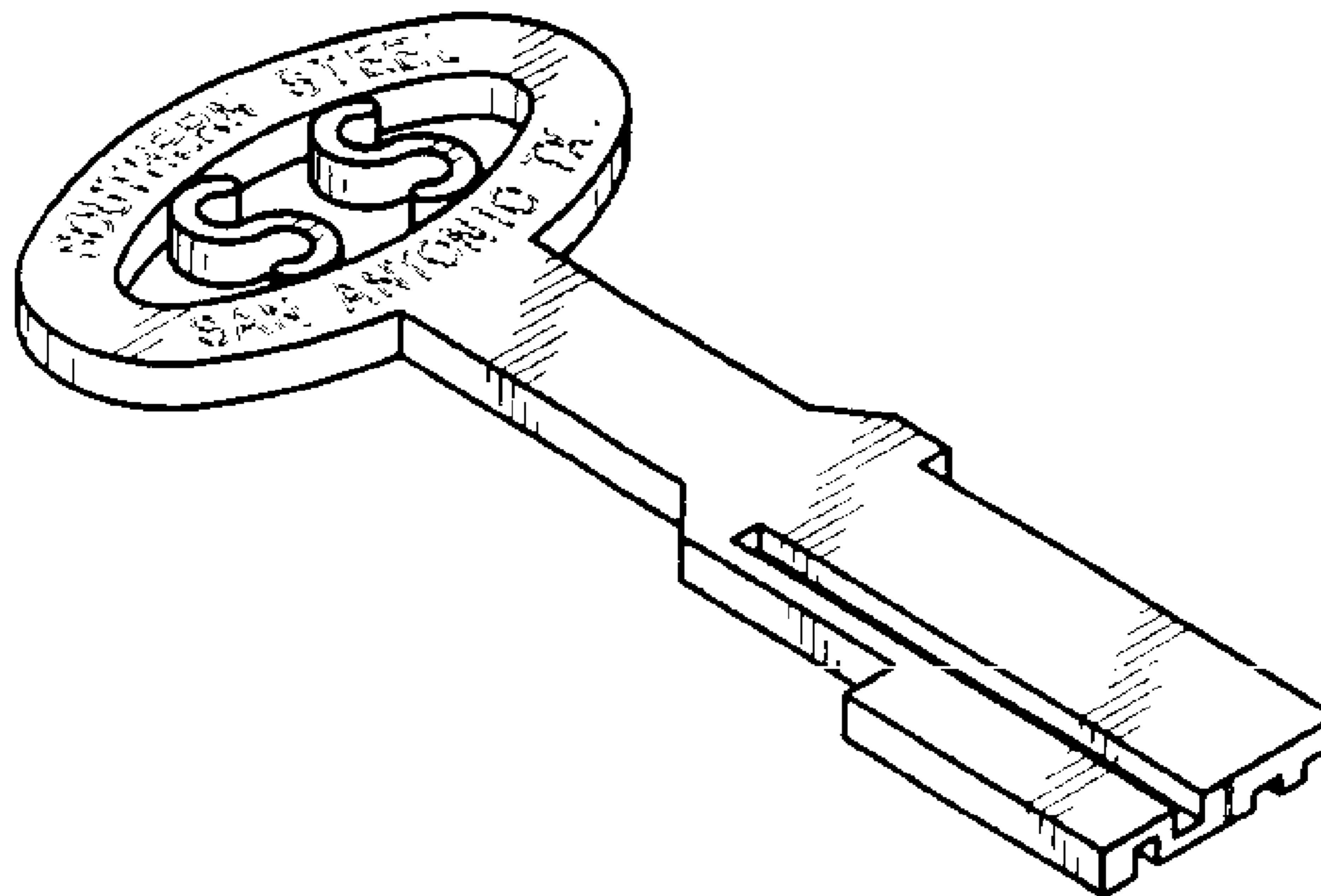
(57) **CLAIM**

The ornamental design for a key, as shown.

**DESCRIPTION**

FIG. 1 is a front perspective view of the key.  
 FIG. 2 is a back perspective view of the key.  
 FIG. 3 is a front view of the key.  
 FIG. 4 is a back view of the key.  
 FIG. 5 is a right side view of the key.  
 FIG. 6 is a left side view of the key.  
 FIG. 7 is a top view of the key; and,  
 FIG. 8 is a bottom view of the key.

**1 Claim, 1 Drawing Sheet**



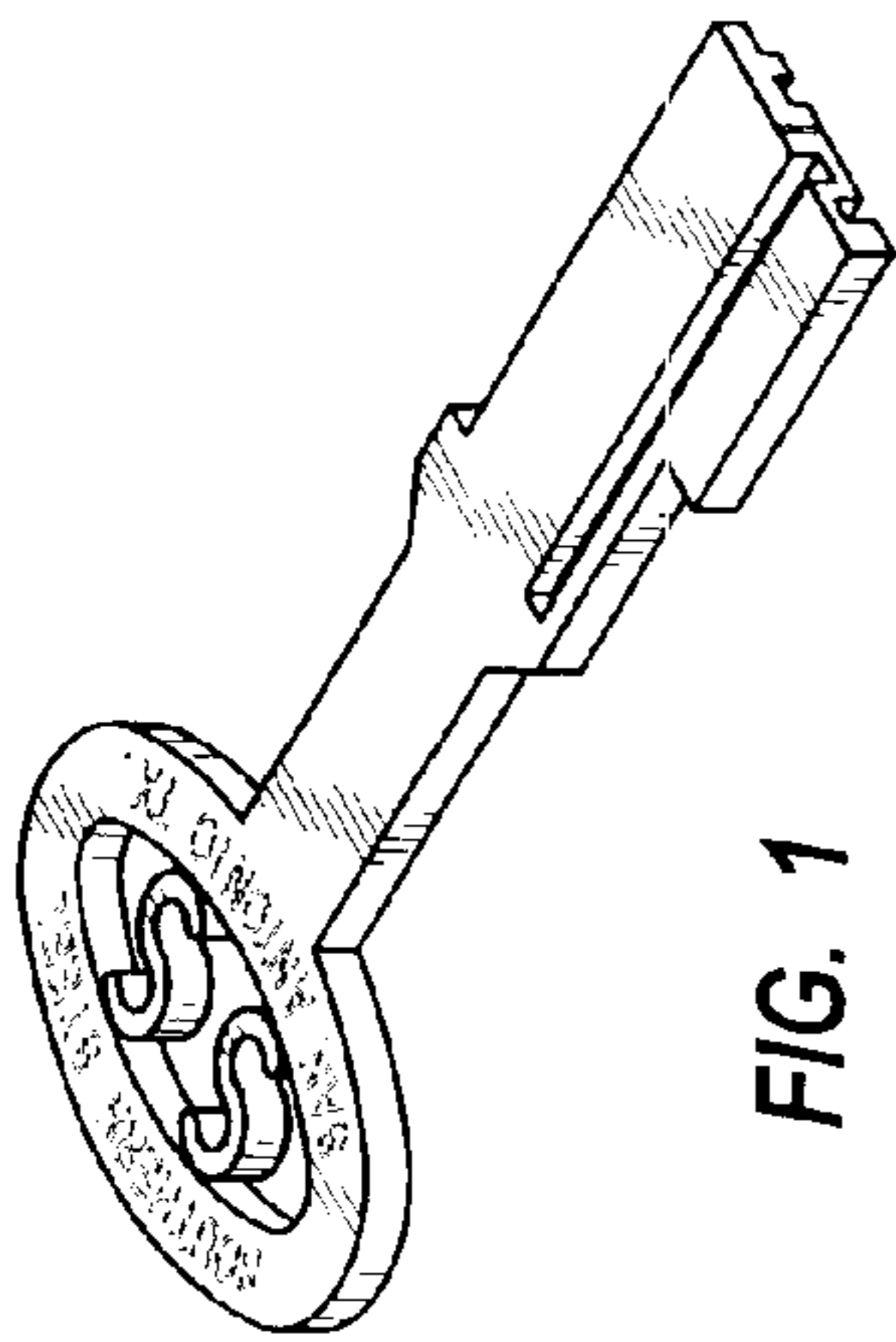


FIG. 1

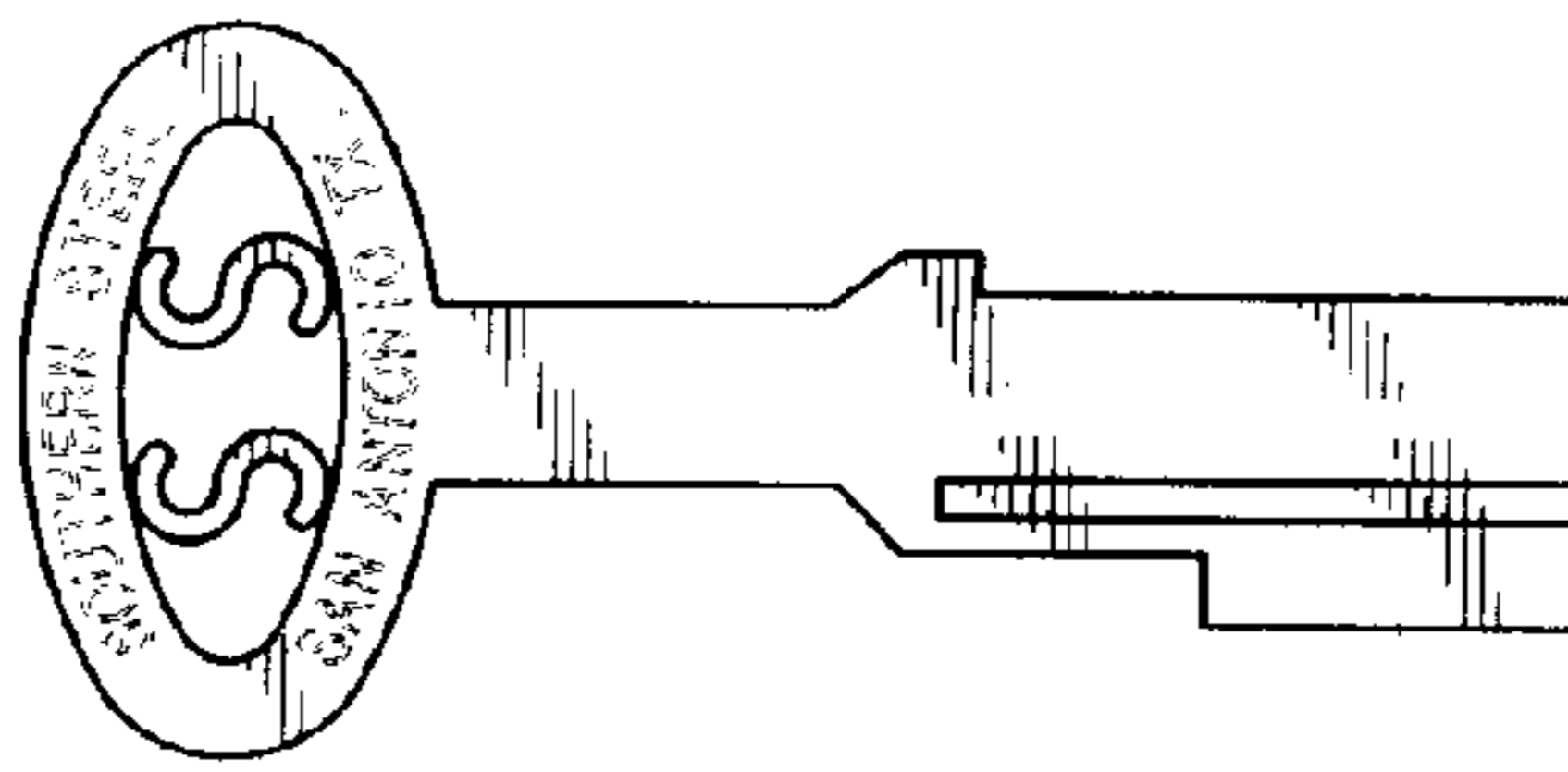


FIG. 3

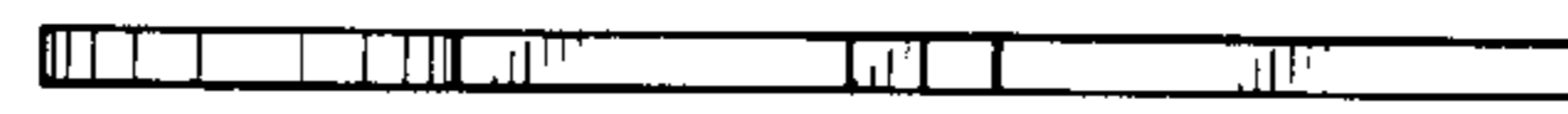


FIG. 5

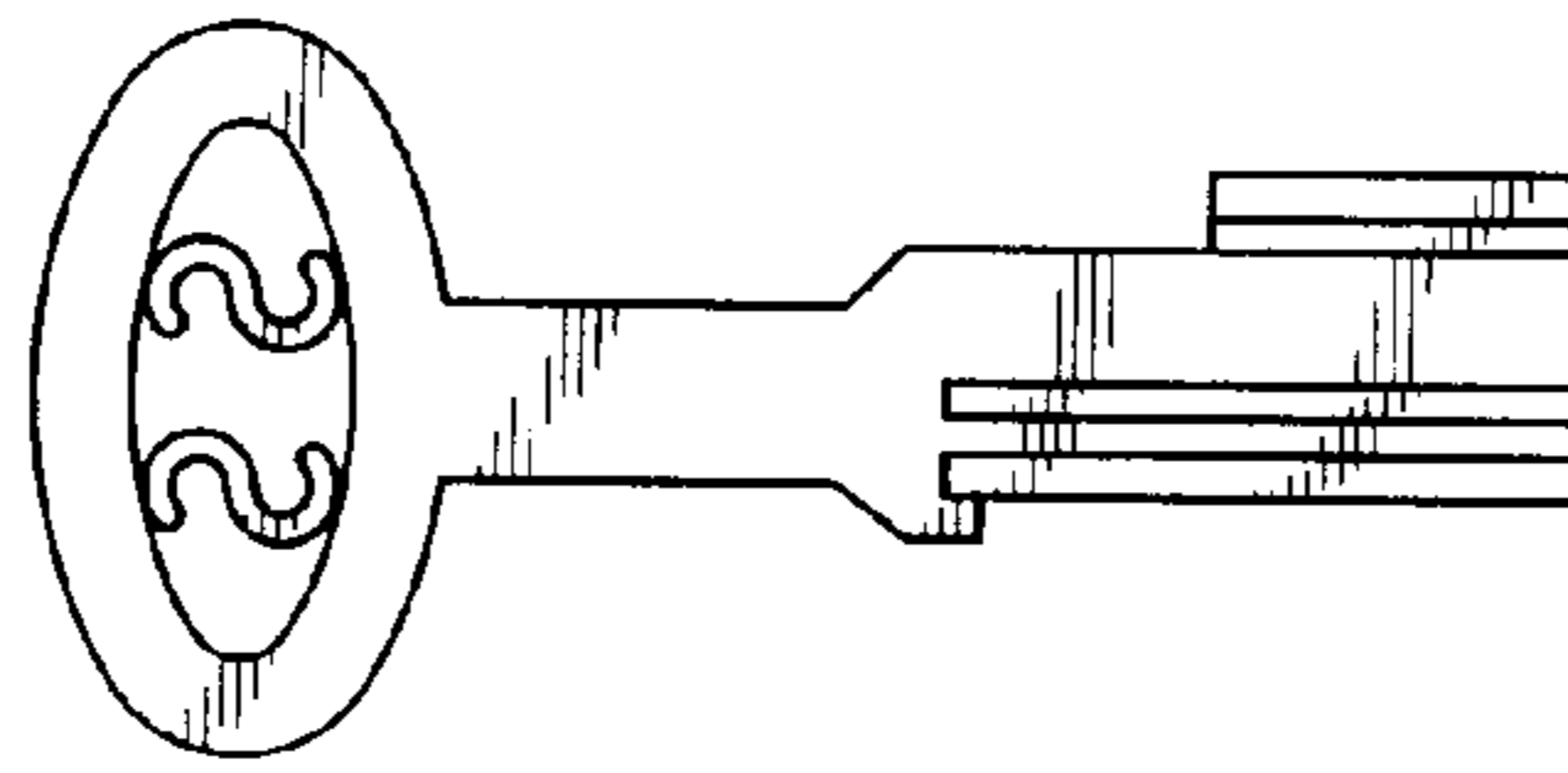


FIG. 4

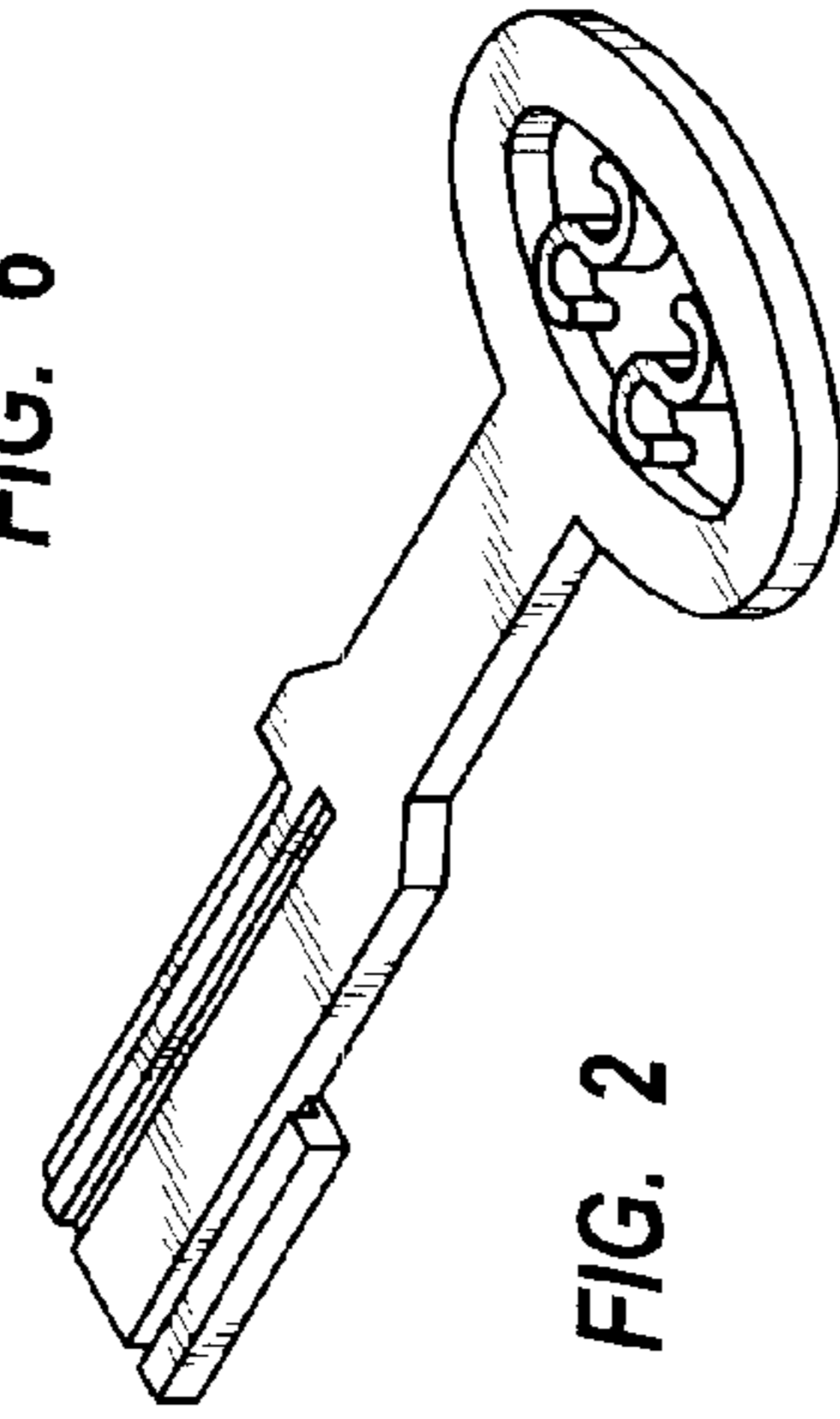


FIG. 2



FIG. 7

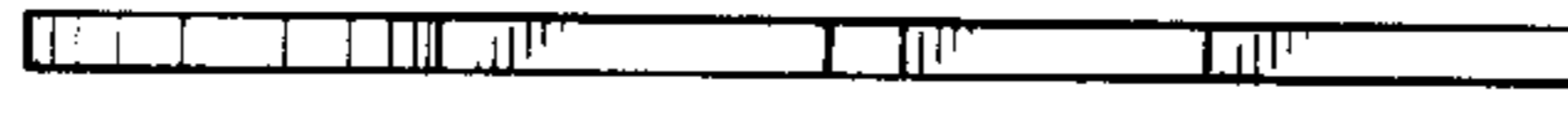


FIG. 6



FIG. 8



US00D532287C1

(12) **EX PARTE REEXAMINATION CERTIFICATE** (6457th)  
**United States Patent**  
**Daugherty**

(10) **Number:** **US D532,287 C1**  
(45) **Certificate Issued:** **Sep. 30, 2008**

(54) **KEY**

(75) **Inventor:** **Eugene F. Daugherty**, San Antonio, TX (US)

(73) **Assignee:** **Southern Folger Detention Equipment Company, LLC**, San Antonio, TX (US)

**Reexamination Request:**

No. 90/008,715, Jun. 15, 2007

**Reexamination Certificate for:**

Patent No.: **Des. 532,287**  
Issued: **Nov. 21, 2006**  
Appl. No.: **29/256,667**  
Filed: **Mar. 23, 2006**

(51) **LOC (8) Cl.** ..... **08-07**

(52) **U.S. Cl.** ..... **D8/347**

(58) **Field of Classification Search** ..... D8/347,  
D8/348; 70/271, 278.2, 336, 344, 347, 348,  
70/357, 402-414

See application file for complete search history.

(56) **References Cited**

**U.S. PATENT DOCUMENTS**

444,885	A	*	1/1891	Hyatt	.....	70/81
D51,619	S	*	12/1917	Vance	.....	D8/347
3,863,473	A	*	2/1975	Neale	.....	70/186
D532,284	S		11/2006	Daugherty		
D532,285	S		11/2006	Daugherty		
D533,438	S		12/2006	Daugherty		
D533,440	S		12/2006	Daugherty		
2004/0016273	A1	*	1/2004	Keller	.....	70/409

**OTHER PUBLICATIONS**

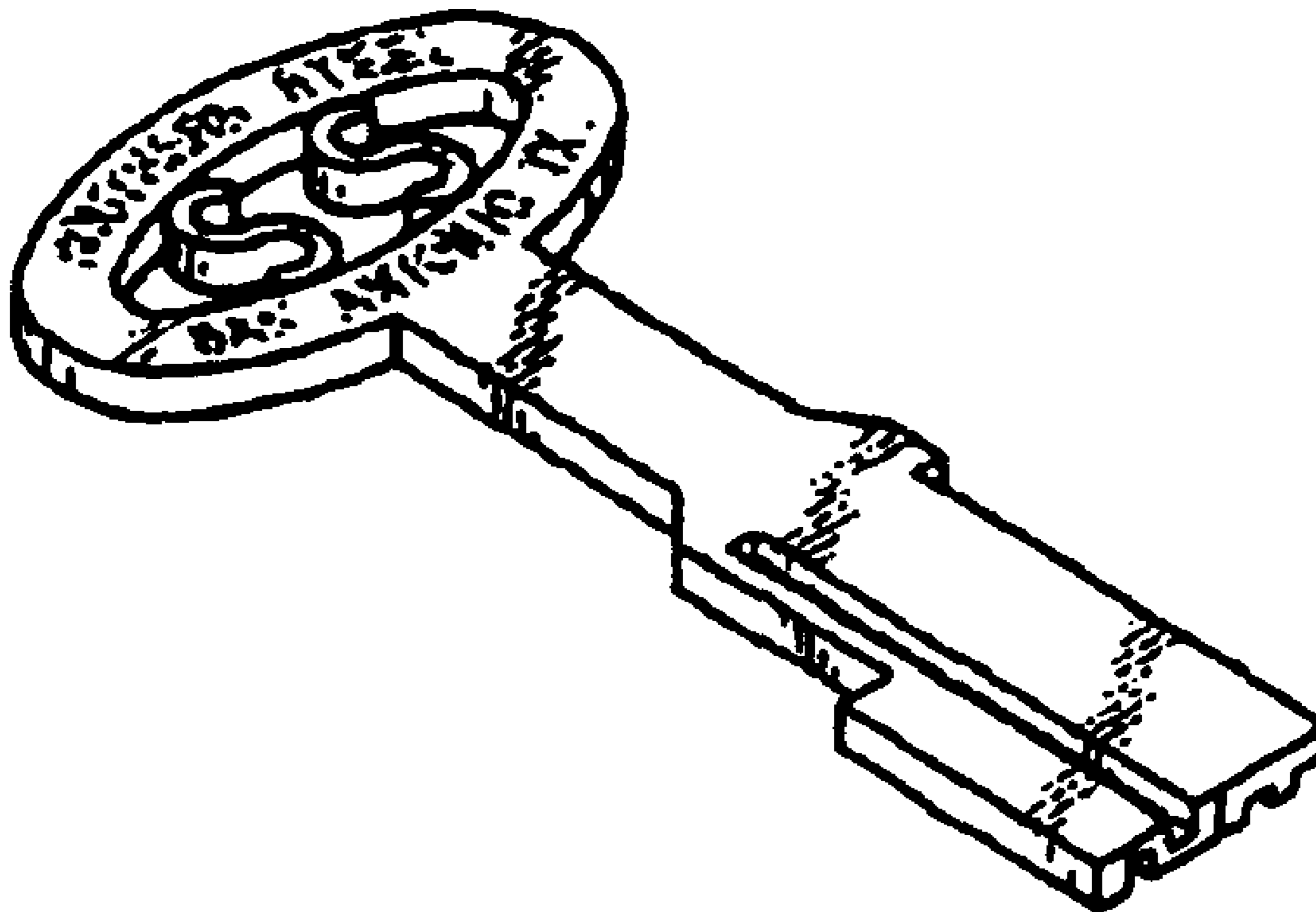
An Open Letter to Detention Professionals, Correctional News, Jan./Feb. 2005, p. 10, Emlen Publications, Inc./Emlen Media, Inc., San Rafael, CA 94901.

Southern Steel Company, There is Another Source For Detention Locks . . . Southern Steel (circa 1970-1980).

1997 Price List, Detention Equipment by Southern Steel.

\* cited by examiner

*Primary Examiner*—Selina Sikder



**EX PARTE  
REEXAMINATION CERTIFICATE  
ISSUED UNDER 35 U.S.C. 307**

AS A RESULT OF REEXAMINATION, IT HAS BEEN  
DETERMINED THAT:

The sole claim is cancelled.

The ornamental design for a key, as shown.

\* \* \* \* \*