

US00D532282S

(12) **United States Design Patent**
Johansson

(10) **Patent No.:** **US D532,282 S**

(45) **Date of Patent:** **** Nov. 21, 2006**

(54) **SLIDING DOOR LATCH**

(75) Inventor: **Henric Johansson**, Husby-Rekarne
(SE)

(73) Assignee: **Southco, Inc.**, Concordville, PA (US)

(**) Term: **14 Years**

(21) Appl. No.: **29/233,183**

(22) Filed: **Jun. 29, 2005**

(51) **LOC (8) Cl.** **08-07**

(52) **U.S. Cl.** **D8/339**

(58) **Field of Classification Search** D8/330,
D8/331, 339, 341, 343, 301, 302; 70/14,
70/51, 52, 69-76, 110, 111, 164, 237, 240,
70/241, 141, DIG. 80, 95; 292/4.95, 129,
292/288, 300, 358, 359, DIG. 14, DIG. 46
See application file for complete search history.

(56) **References Cited**

U.S. PATENT DOCUMENTS

- 2,575,465 A * 11/1951 Patton 292/78
- 2,802,685 A * 8/1957 Duvall 292/337
- 4,553,353 A * 11/1985 Simpson 49/161
- 4,752,091 A * 6/1988 Jackson 292/126
- 4,995,649 A 2/1991 Magnusson
- 5,096,240 A * 3/1992 Schultz 292/153

- D354,428 S 1/1995 Magnusson
- 5,806,900 A * 9/1998 Bratcher et al. 292/137
- D399,121 S * 10/1998 Alyanakian et al. D8/339
- 6,050,618 A * 4/2000 Tieu 292/175
- D490,685 S * 6/2004 Beaudoin et al. D8/339
- D498,407 S * 11/2004 Layton D8/331

* cited by examiner

Primary Examiner—Prabhakar Deshmukh

(74) *Attorney, Agent, or Firm*—Paul & Paul

(57) **CLAIM**

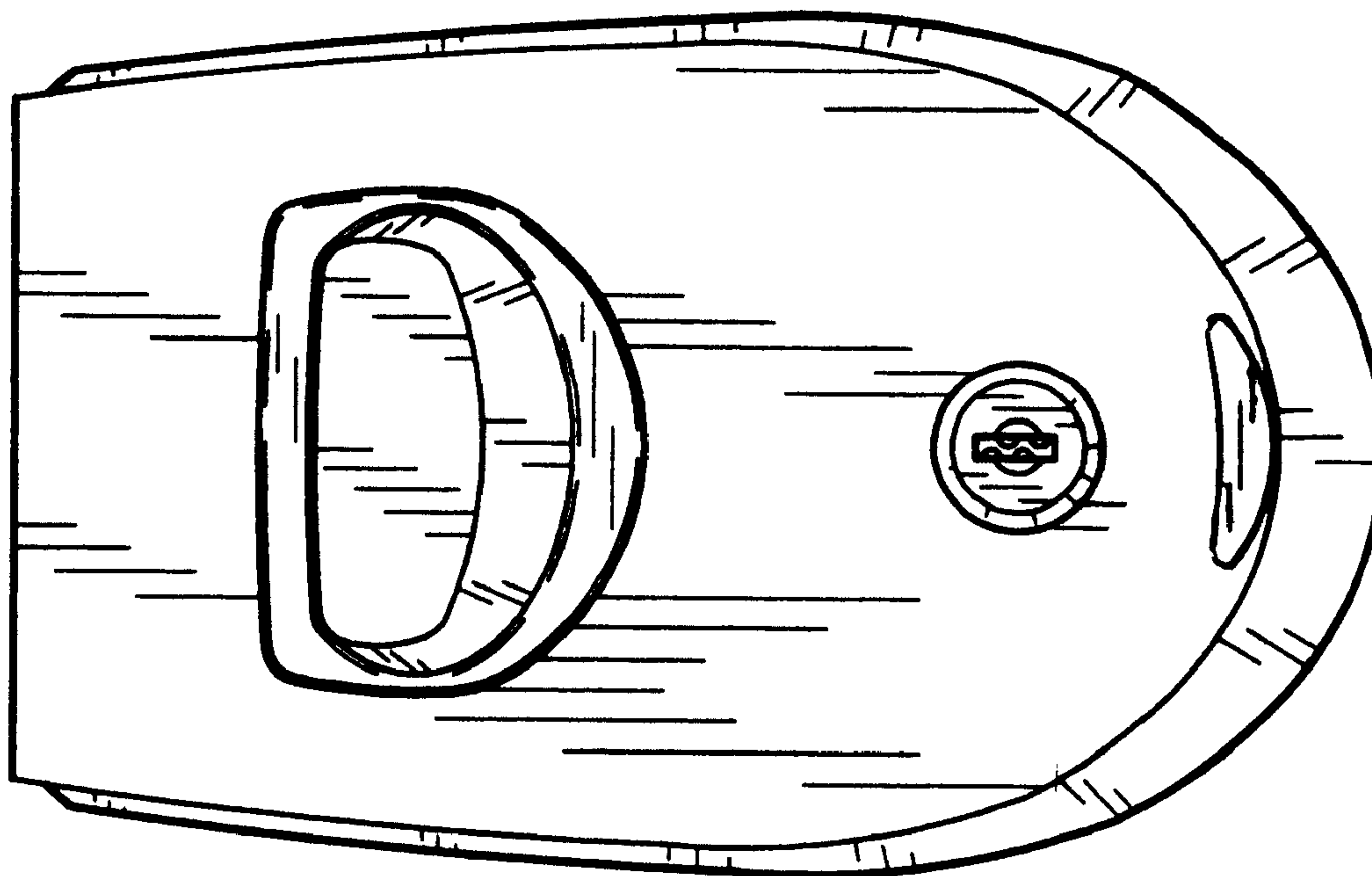
The ornamental design for a sliding door latch, as shown and described.

DESCRIPTION

FIG. 1 is a front elevational view of a sliding door latch showing my new design;
FIG. 2 is a rear elevational view thereof;
FIG. 3 is a left side elevational view thereof;
FIG. 4 is a right side elevational view thereof;
FIG. 5 is a top plan view thereof;
FIG. 6 is a bottom plan view thereof; and,
FIG. 7 is a perspective view thereof, shown in its environmental use.

The broken lines are for illustrative purpose only and form no part of the claimed design.

1 Claim, 2 Drawing Sheets



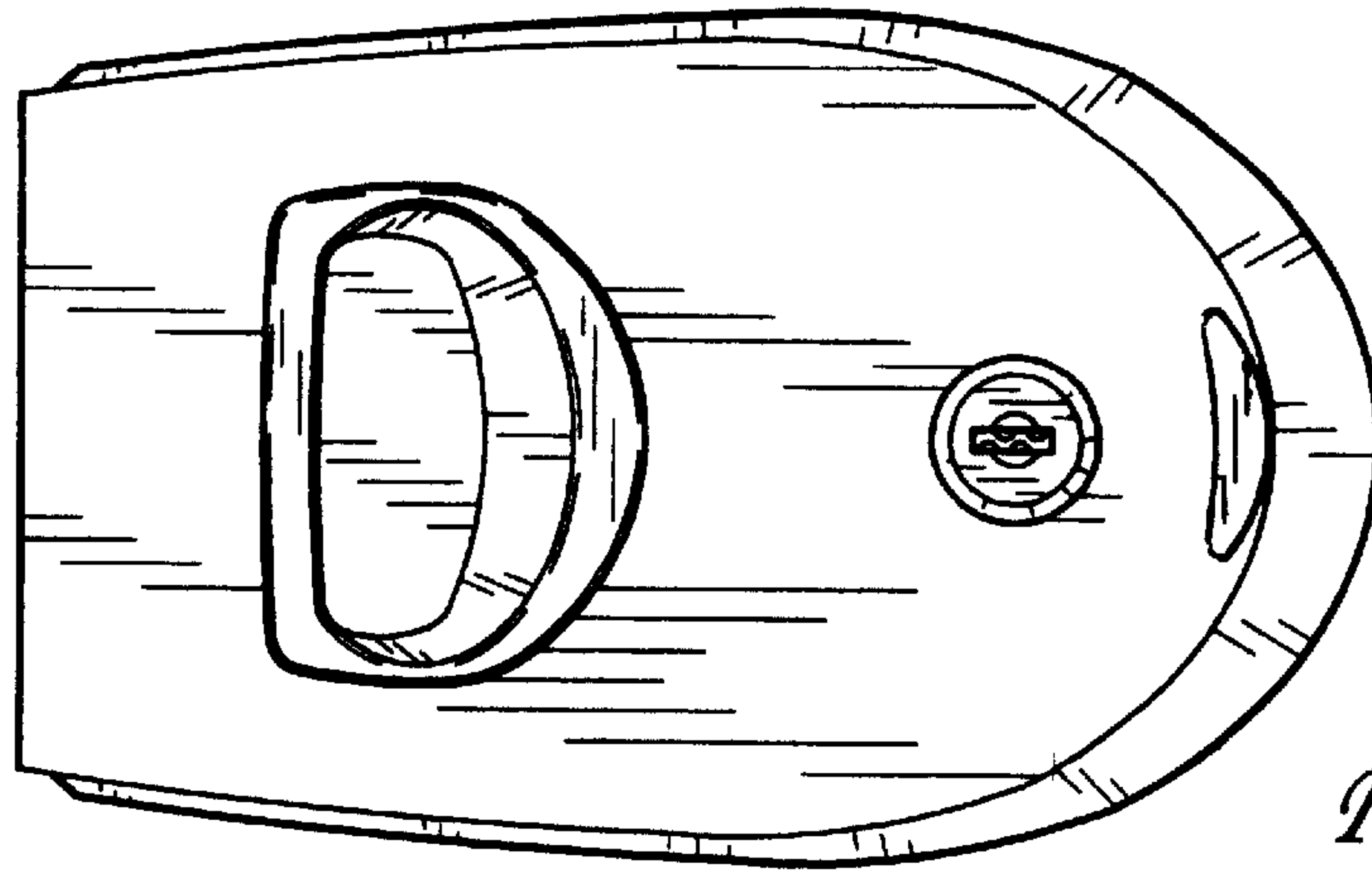


FIG. 1

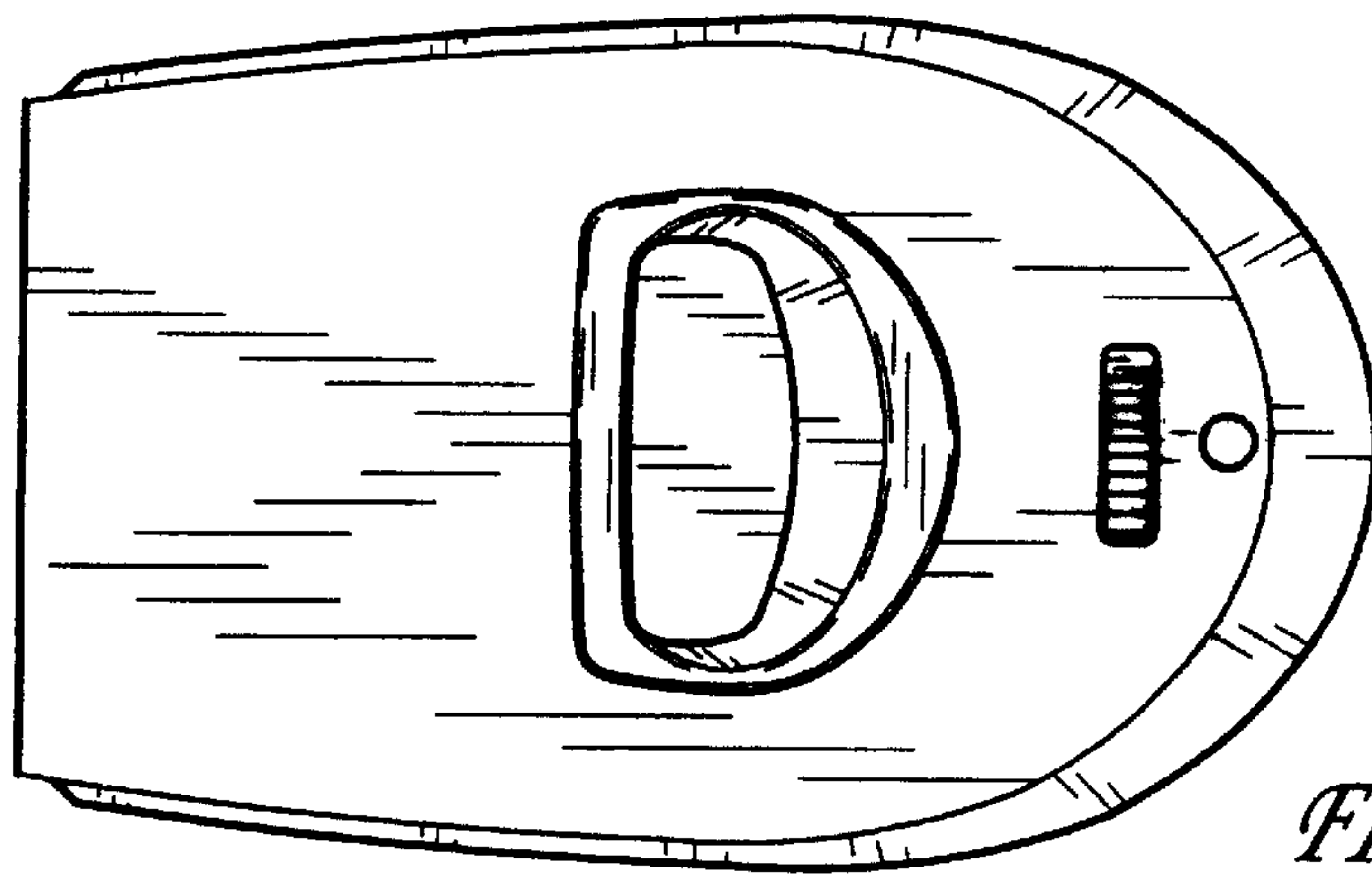


FIG. 2

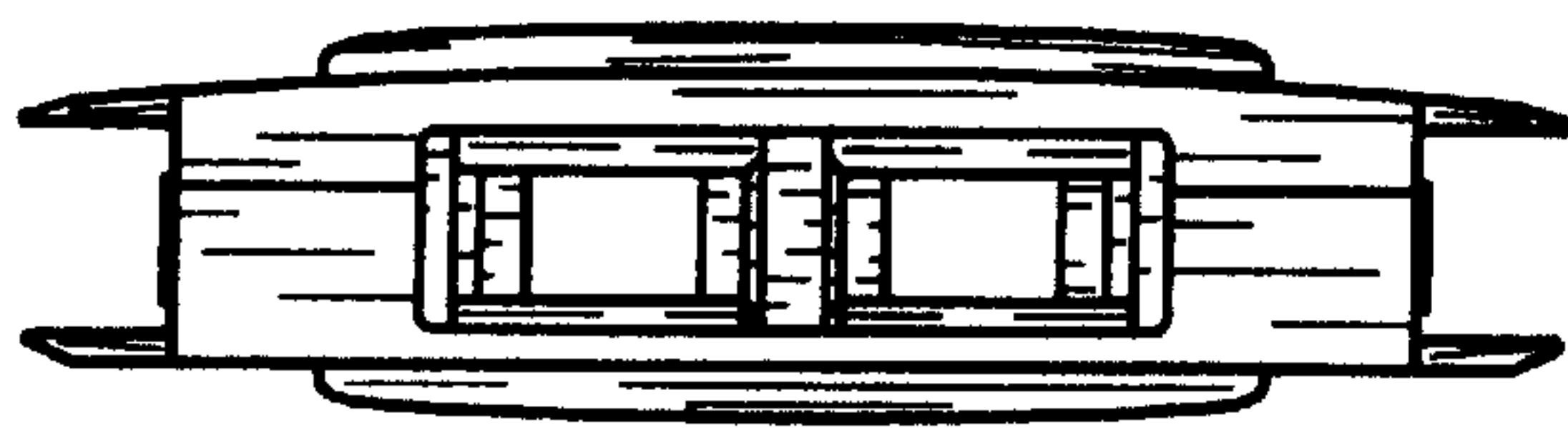


FIG. 3

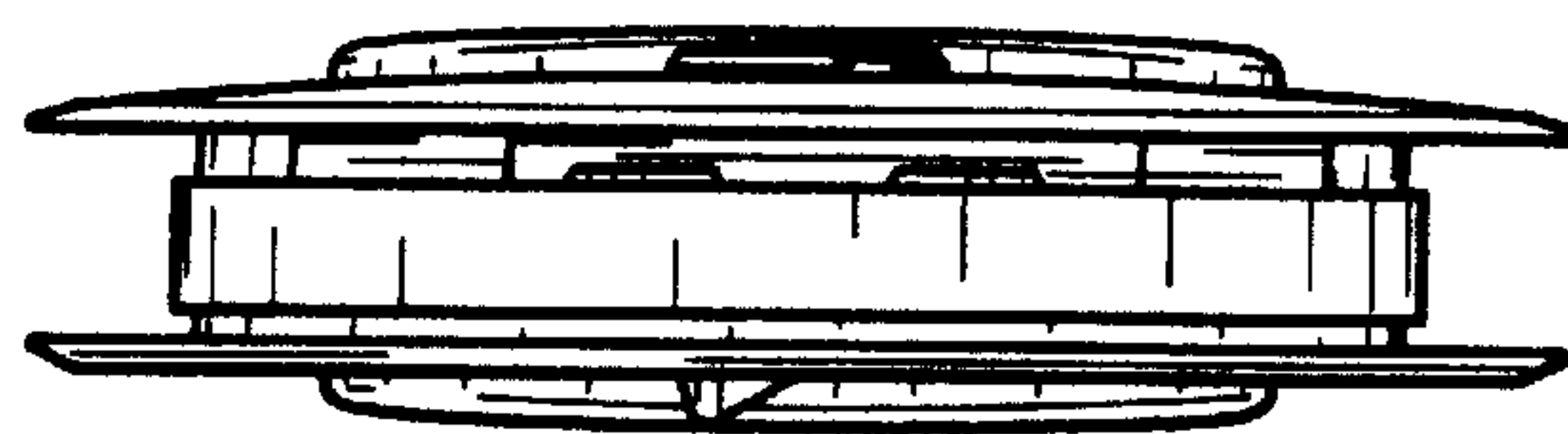


FIG. 4

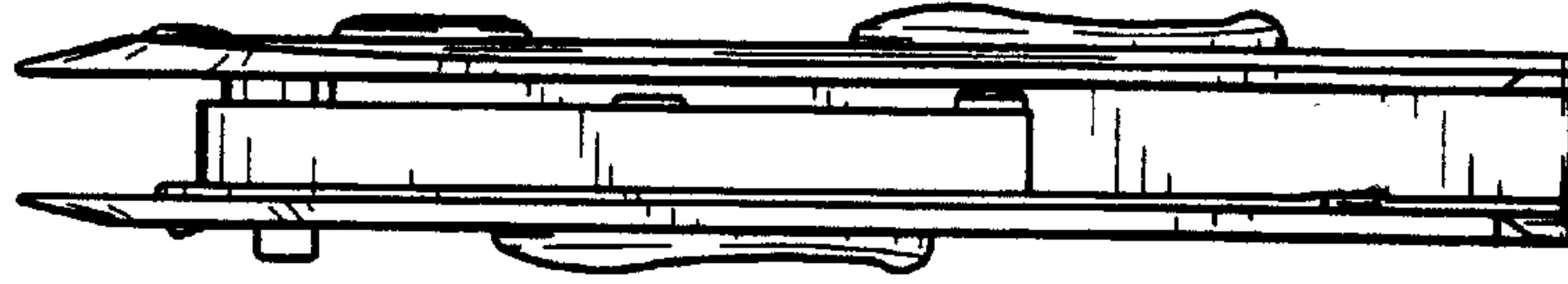


FIG. 5

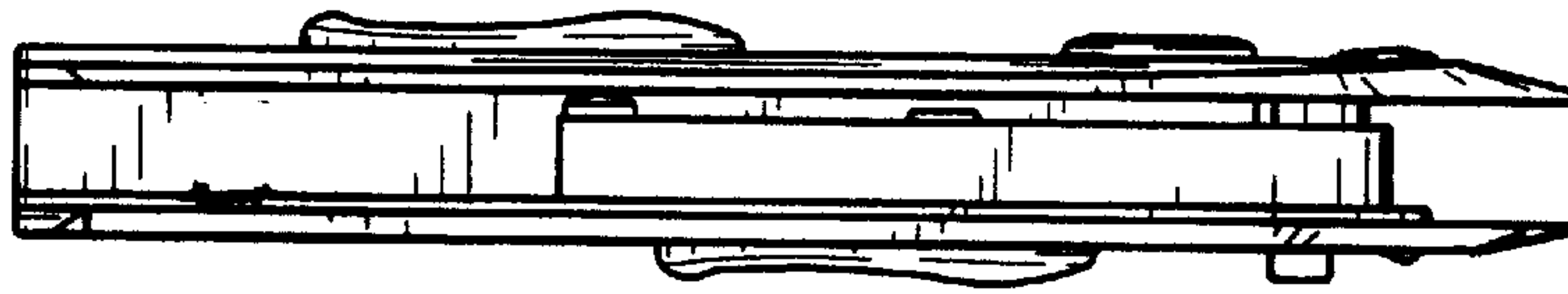


FIG. 6

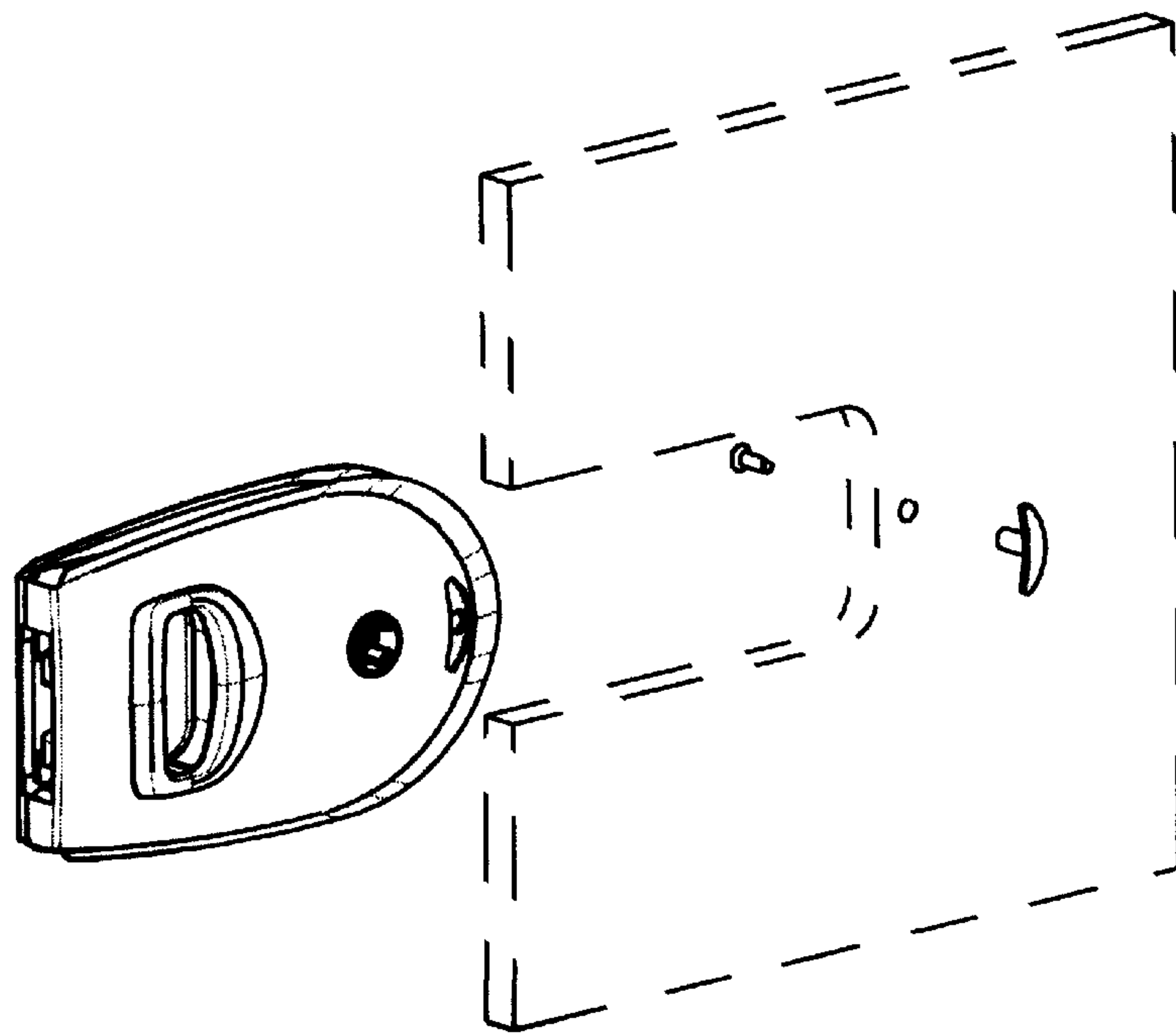


FIG. 7

UNITED STATES PATENT AND TRADEMARK OFFICE
CERTIFICATE OF CORRECTION

PATENT NO. : Des. 532,282 S
APPLICATION NO. : 29/233183
DATED : November 21, 2006
INVENTOR(S) : Henric Johansson


Page 1 of 1

It is certified that error appears in the above-identified patent and that said Letters Patent is hereby corrected as shown below:

Title page, Description, first line, replace "font" with --front--.

Signed and Sealed this

Thirteenth Day of February, 2007

A handwritten signature in black ink on a light gray dotted background. The signature reads "Jon W. Dudas" in a cursive style.

JON W. DUDAS

Director of the United States Patent and Trademark Office