



US00D532281S

(12) **United States Design Patent**
Vegvary

(10) **Patent No.:** **US D532,281 S**

(45) **Date of Patent:** **** Nov. 21, 2006**

(54) **WHEEL LOCK**

(76) **Inventor:** **Alfred Michael Vegvary**, Unit 2, 3,
Scenic Crescent, South Perth, Western
Australia 6151 (AU)

(**) **Term:** **14 Years**

(21) **Appl. No.:** **29/225,592**

(22) **Filed:** **Mar. 18, 2005**

(30) **Foreign Application Priority Data**

Sep. 20, 2004 (AU) 14483/2004

(51) **LOC (8) Cl.** **08-07**

(52) **U.S. Cl.** **D8/330; D8/343**

(58) **Field of Classification Search** D8/330,
D8/331, 343, 336, 339; 70/14, 19, 57, 57.1,
70/237, 258-260, 431, 465

See application file for complete search history.

(56) **References Cited**

U.S. PATENT DOCUMENTS

1,329,691	A	*	12/1920	Anable	70/18
1,386,367	A	*	8/1921	Schenk	70/260
4,649,724	A	*	3/1987	Raine	70/226
4,888,969	A	*	12/1989	Suroff	70/226
4,913,265	A	*	4/1990	Richards	188/32

5,131,246	A	*	7/1992	Bonzer	70/260
5,427,210	A	*	6/1995	Willaford	188/32
5,689,981	A	*	11/1997	DeLuca et al.	70/226
6,434,980	B1	*	8/2002	Foster	70/19
D508,645	S	*	8/2005	Marr	D8/343
6,938,734	B1	*	9/2005	Curl	188/32
D511,957	S	*	11/2005	Petrick et al.	D8/331
D519,825	S	*	5/2006	Marr	D8/343

FOREIGN PATENT DOCUMENTS

AU 150402 1/2003

* cited by examiner

Primary Examiner—Prabhakar Deshmukh

(74) *Attorney, Agent, or Firm*—James Creighton Wray

(57) **CLAIM**

The ornamental design for a wheel lock, as shown and described.

DESCRIPTION

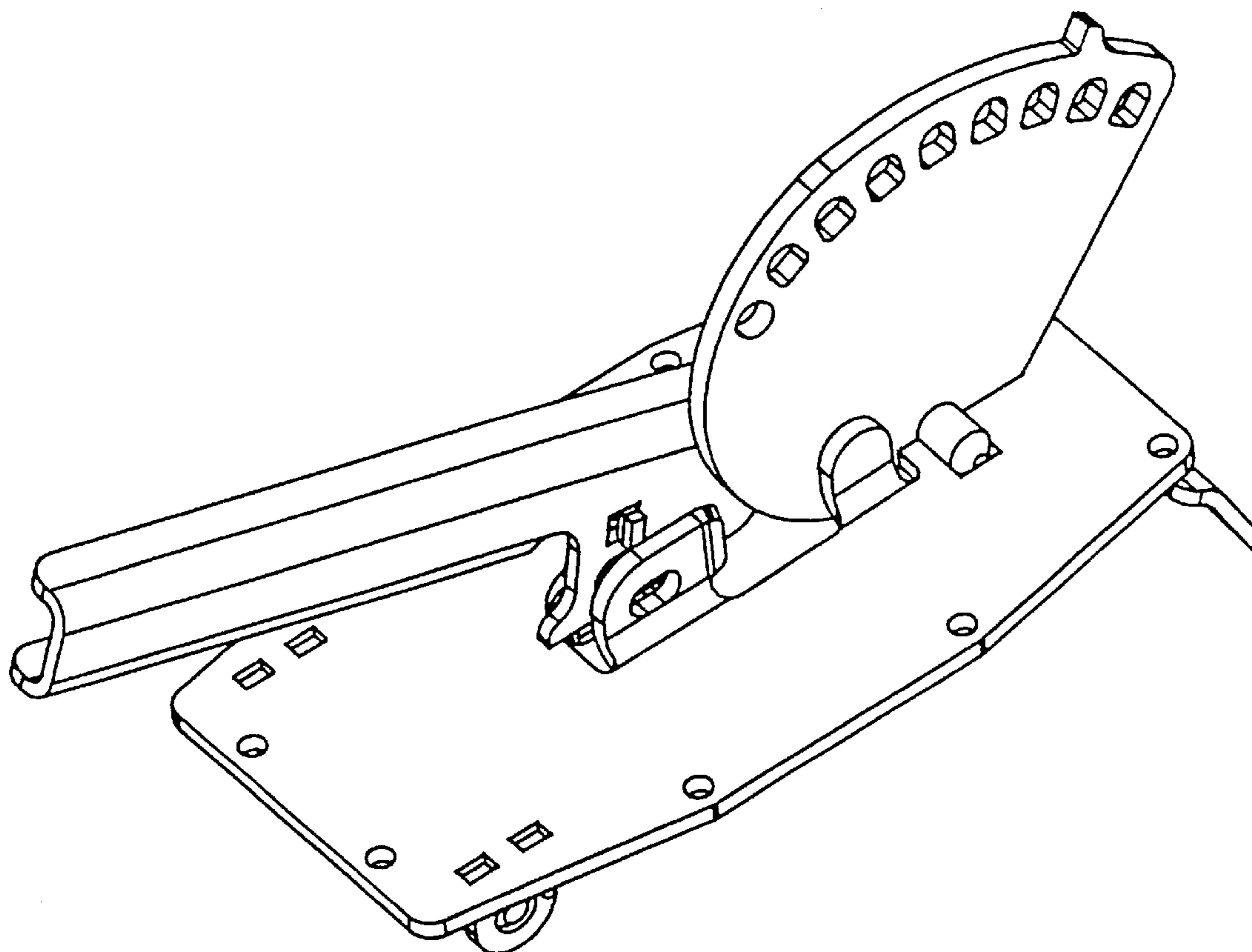
FIG. 1, is a first upper perspective view of a wheel lock showing my new design.

FIG. 2 is a side view of the wheel lock of FIG. 1.

FIG. 3 is a front view of the wheel lock of FIG. 1; and,

FIG. 4 is a top plan view of the wheel lock of FIG. 1.

1 Claim, 4 Drawing Sheets



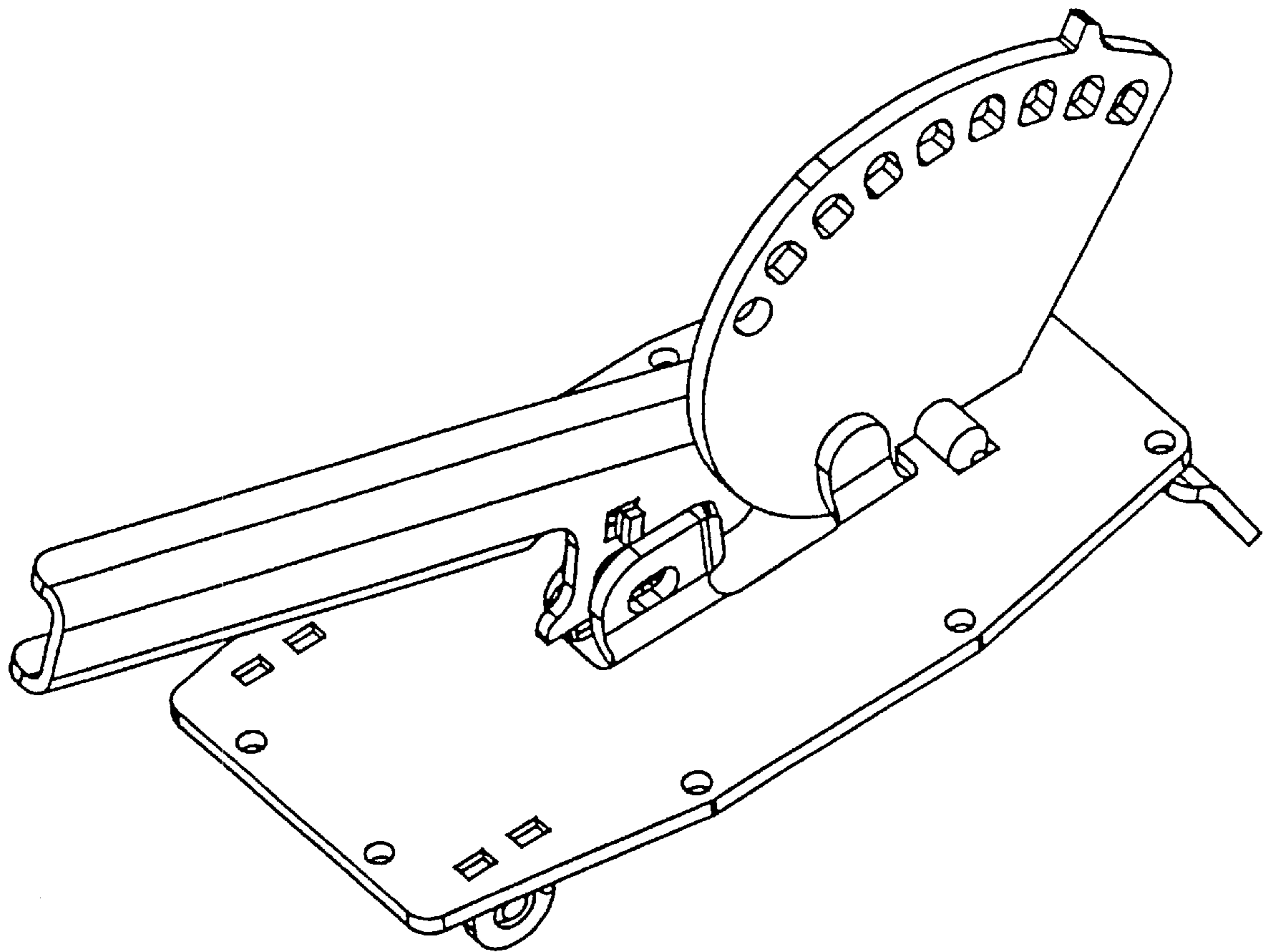


FIGURE 1

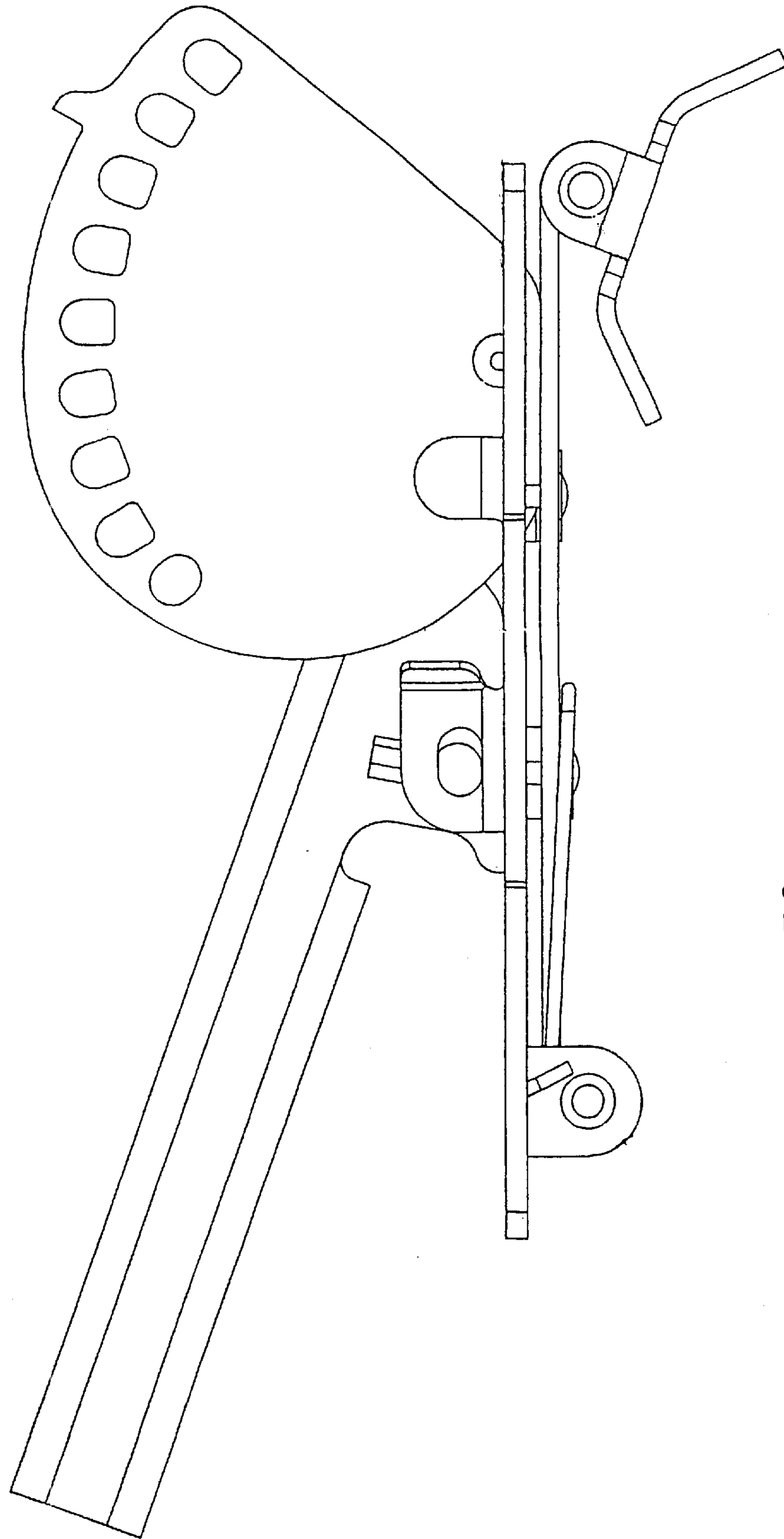


FIGURE 2

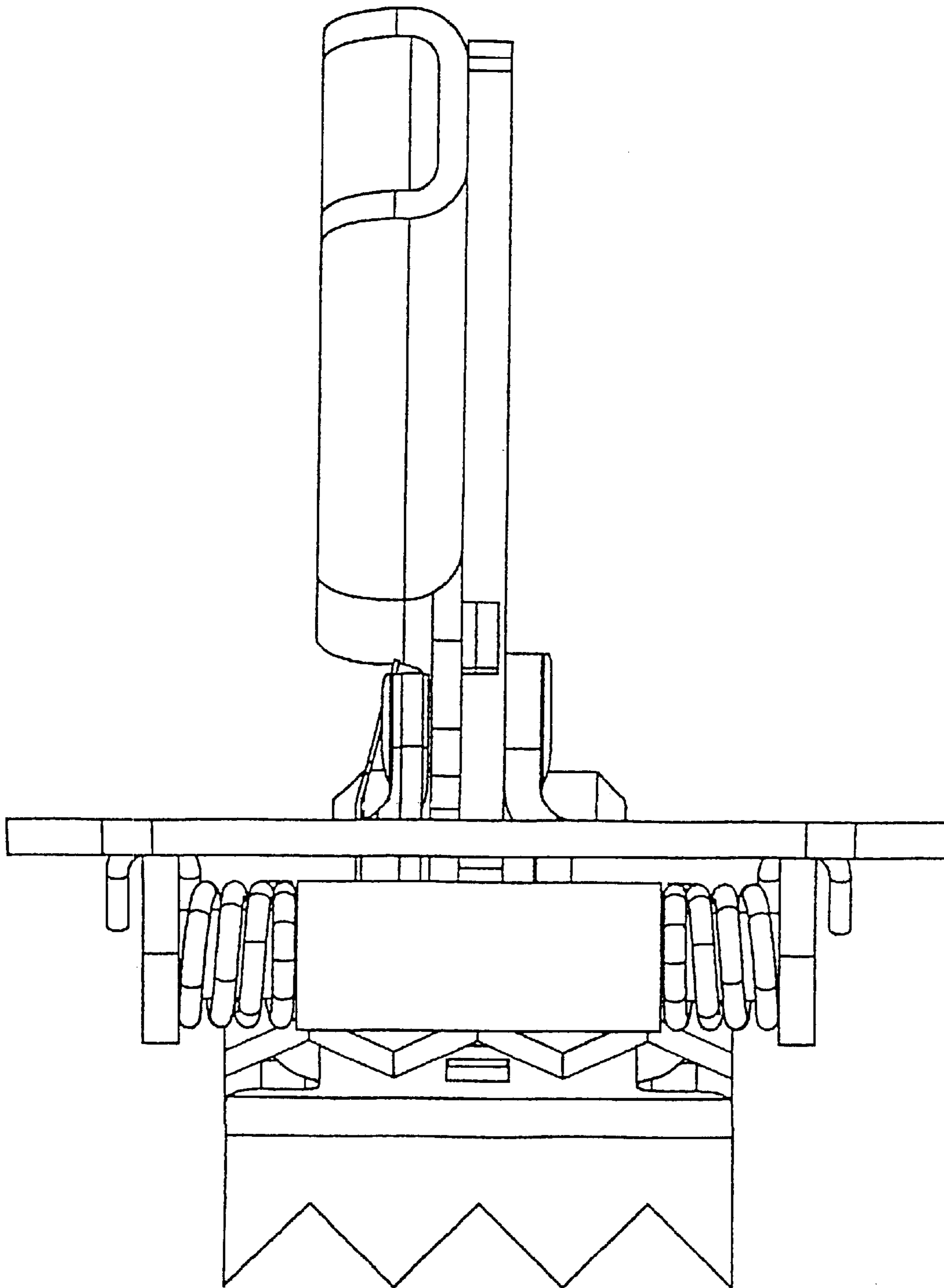


FIGURE 3

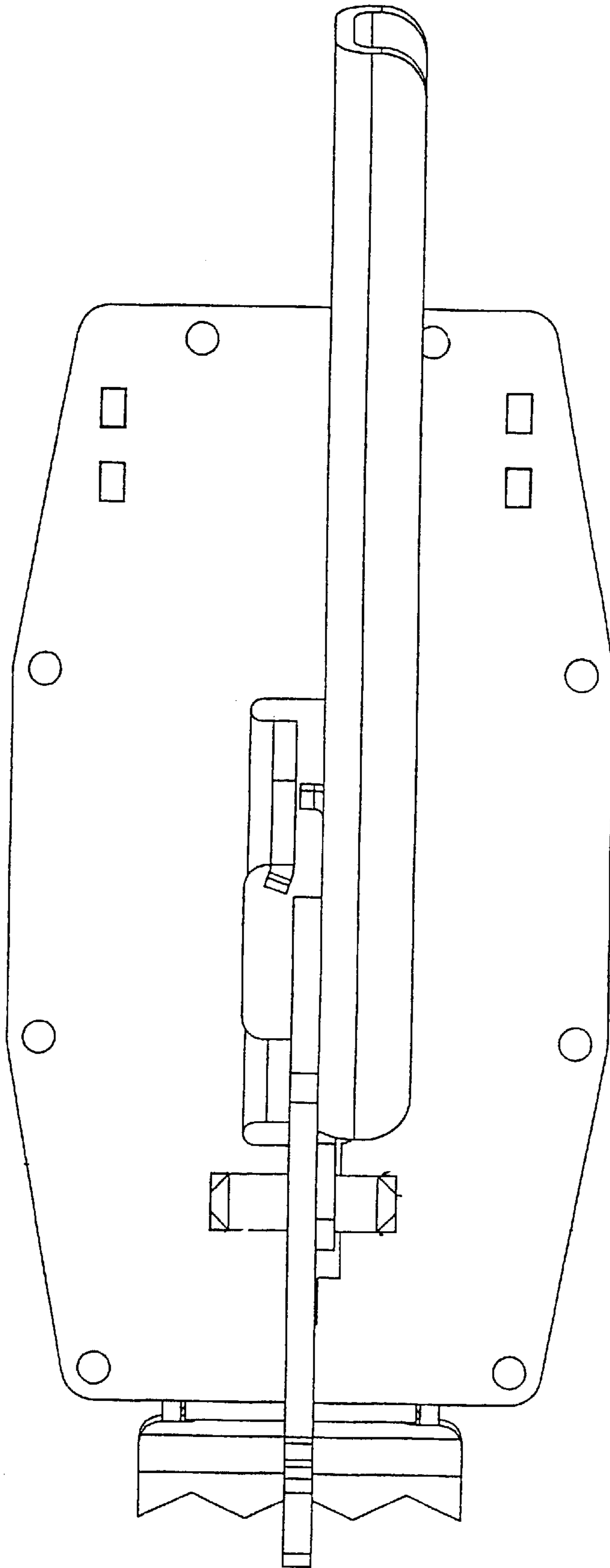


FIGURE 4