



US00D532272S

(12) **United States Design Patent**
Chen

(10) **Patent No.:** **US D532,272 S**

(45) **Date of Patent:** **** Nov. 21, 2006**

(54) **HAMMER HEAD**

(76) Inventor: **John Chen**, No. 1, Alley 66, Lane 216,
Gongye Rd., Longjing Township,
Taichung County 434 (TW)

(**) Term: **14 Years**

(21) Appl. No.: **29/224,959**

(22) Filed: **Mar. 9, 2005**

(51) **LOC (8) Cl.** **08-02**

(52) **U.S. Cl.** **D8/78; D8/77**

(58) **Field of Classification Search** D8/75,
D8/76, 77, 78, 79, 80, 81; 81/19, 20, 21,
81/22; 254/26 R; 7/143

See application file for complete search history.

(56) **References Cited**

U.S. PATENT DOCUMENTS

| | | | | | |
|-------------|---|--------|---------------|-------|-------|
| D206,782 S | * | 1/1967 | Blanchini | | D8/77 |
| D264,931 S | * | 6/1982 | Jones | | D8/78 |
| D274,496 S | * | 7/1984 | Grover et al. | | D8/77 |
| 4,683,784 A | * | 8/1987 | Lamont | | 81/22 |
| D302,932 S | * | 8/1989 | Chapin et al. | | D8/75 |

| | | | | | |
|-------------|---|---------|-------------------|-------|-------|
| 5,248,002 A | * | 9/1993 | Williams | | 173/1 |
| D463,725 S | * | 10/2002 | Wroblewski et al. | | D8/77 |
| D490,679 S | * | 6/2004 | Hung | | D8/77 |

* cited by examiner

Primary Examiner—Philip S. Hyder

(74) *Attorney, Agent, or Firm*—Bacon & Thomas, PLLC

(57) **CLAIM**

The ornamental design for a hammer head, as shown and described.

DESCRIPTION

FIG. 1 is a perspective view of the hammer head showing my new design, wherein the hammer head is attached to a handle shown in broken lines;

FIG. 2 is a front elevational view thereof;

FIG. 3 is a rear elevational view thereof;

FIG. 4 is a left side elevational view thereof;

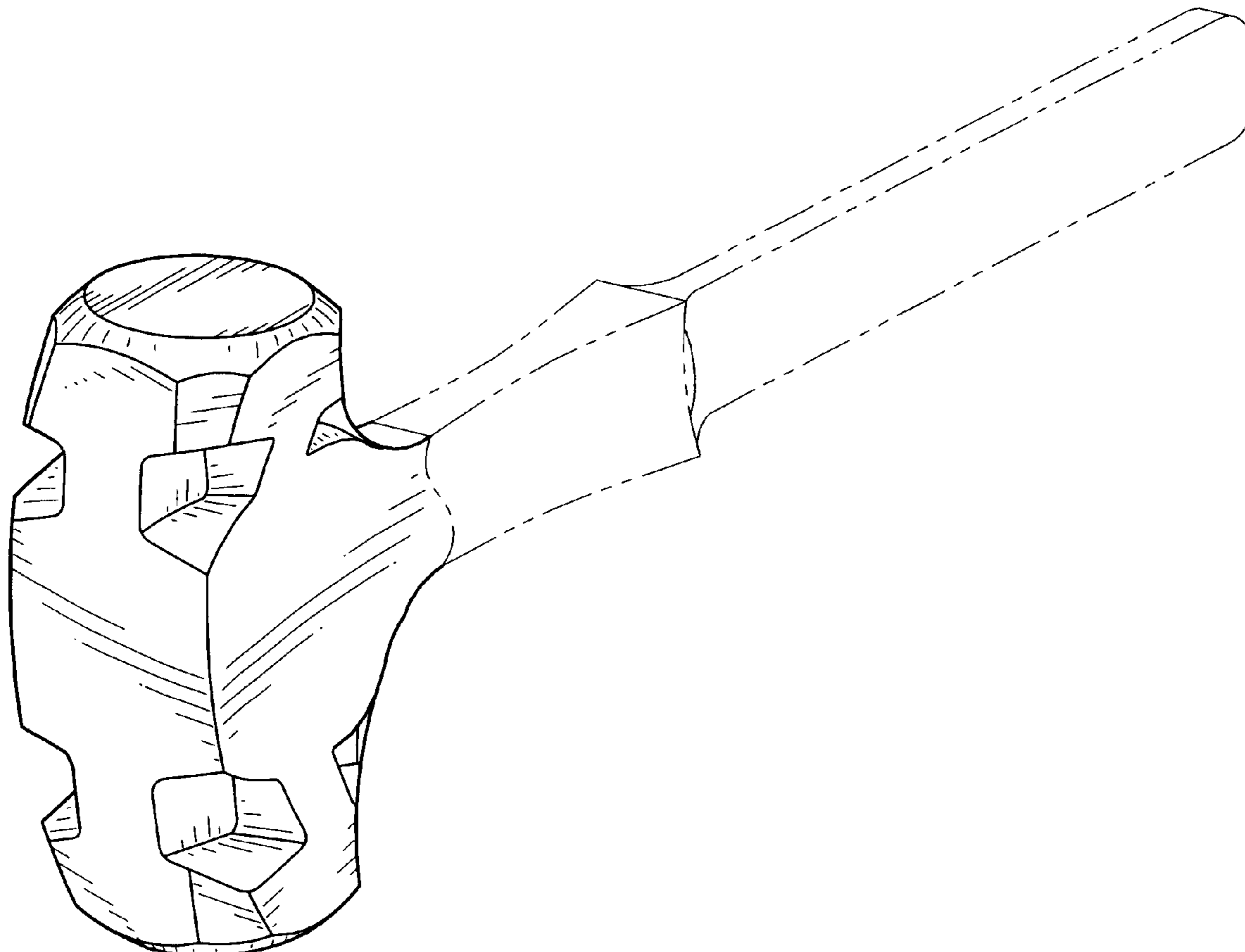
FIG. 5 is a right side elevational view thereof;

FIG. 6 is a top plan view thereof; and,

FIG. 7 is a bottom view thereof.

The broken line showing in FIGS. 1–7 is for illustrative purposes only and forms no part of the claimed design.

1 Claim, 7 Drawing Sheets



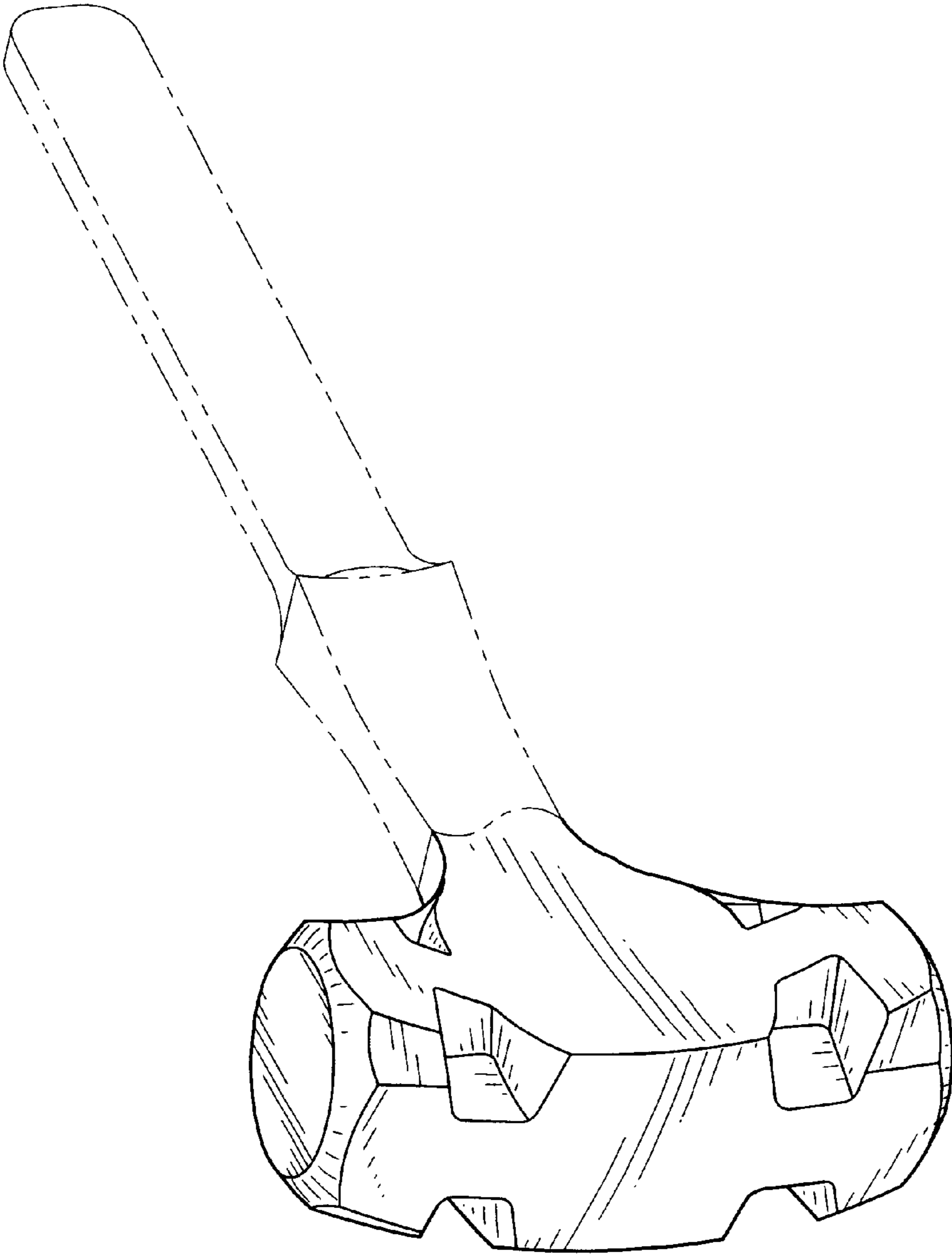


FIG. 1

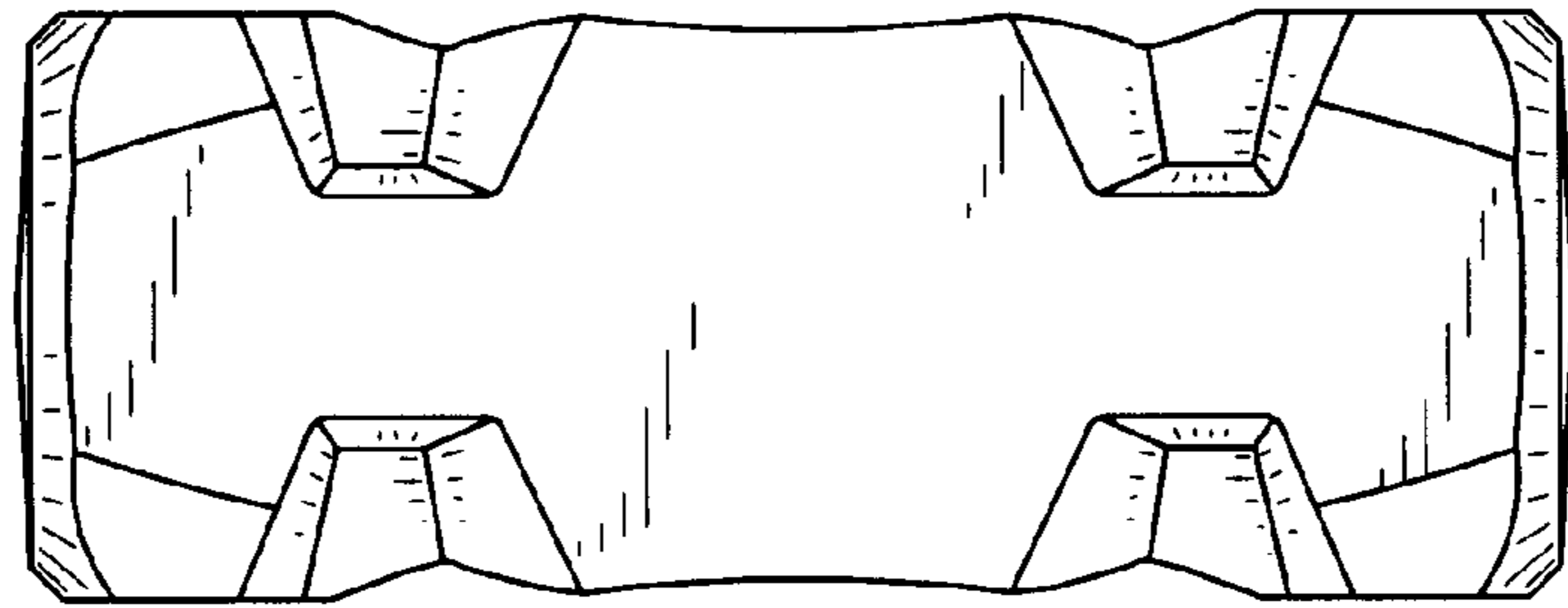


FIG. 2

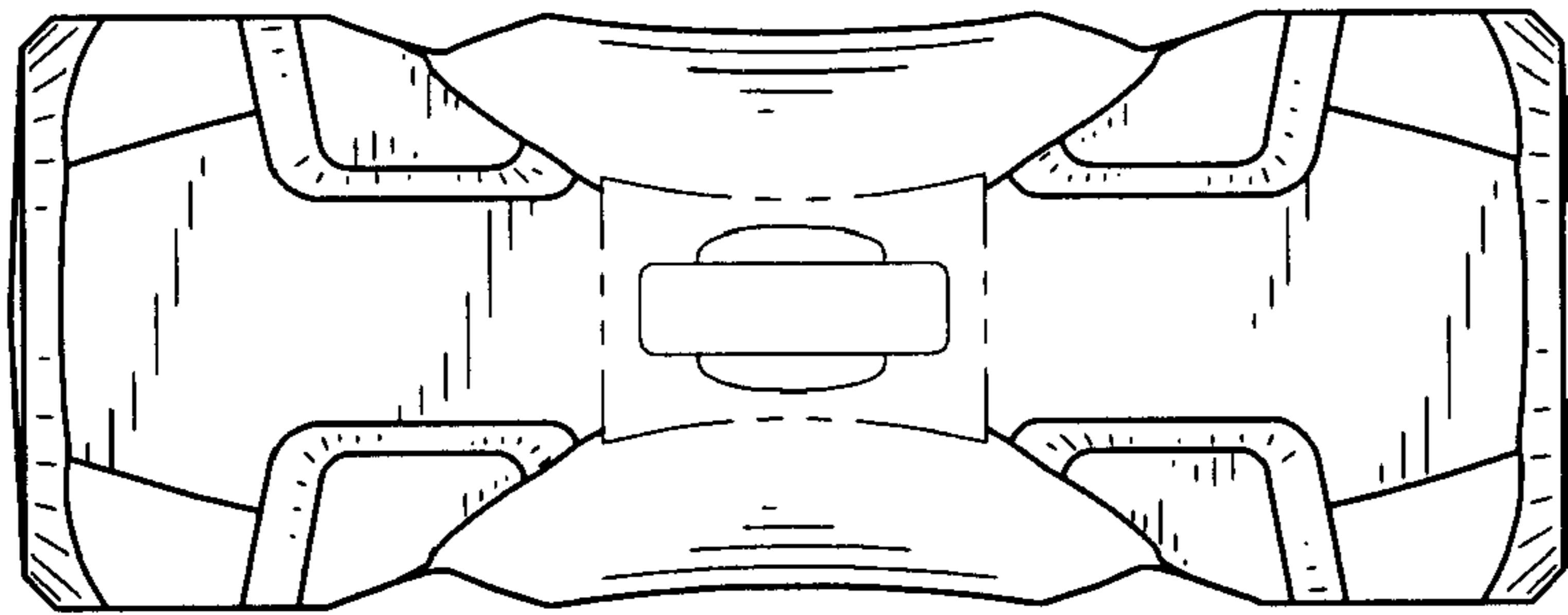


FIG. 3

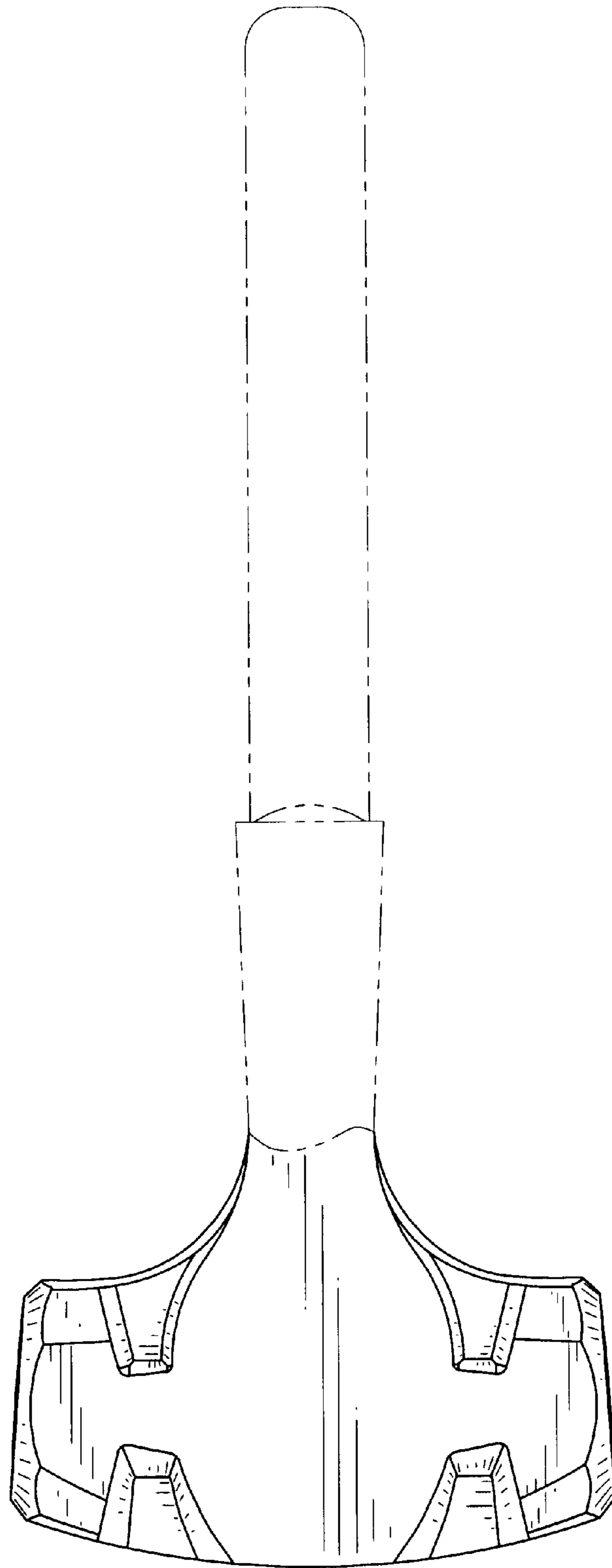


FIG. 4

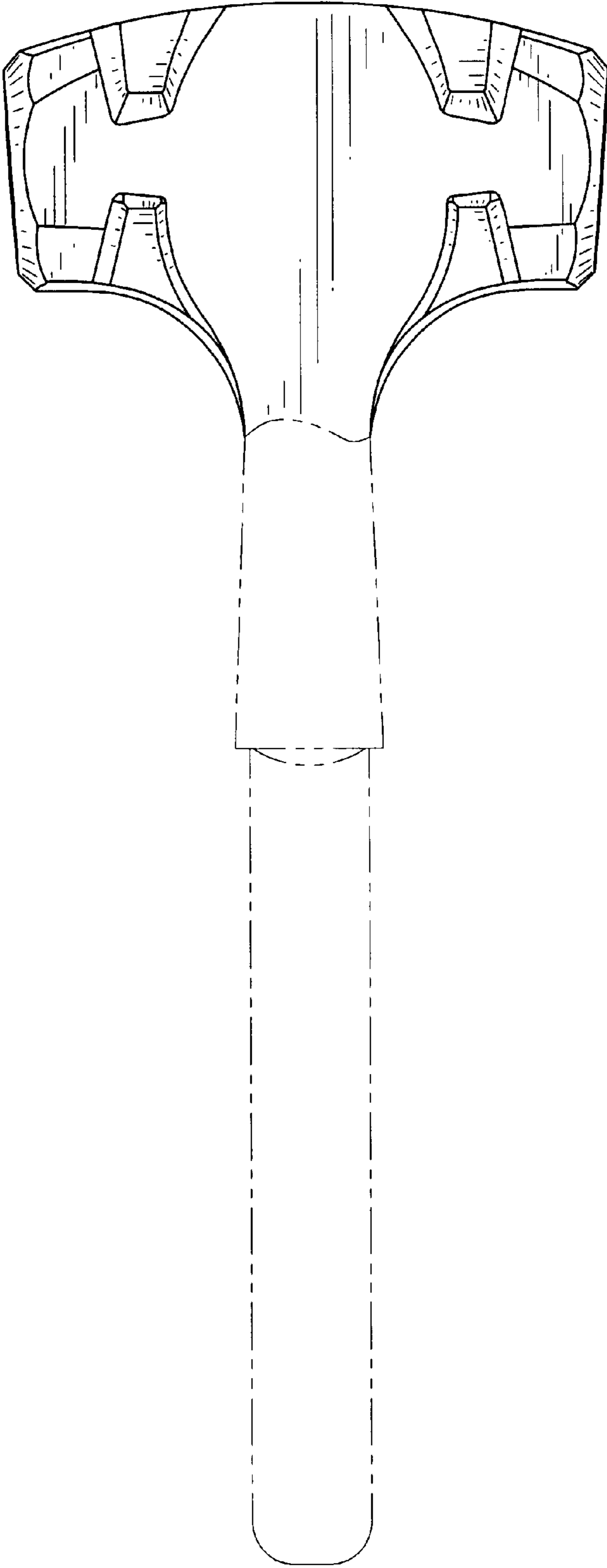


FIG. 5

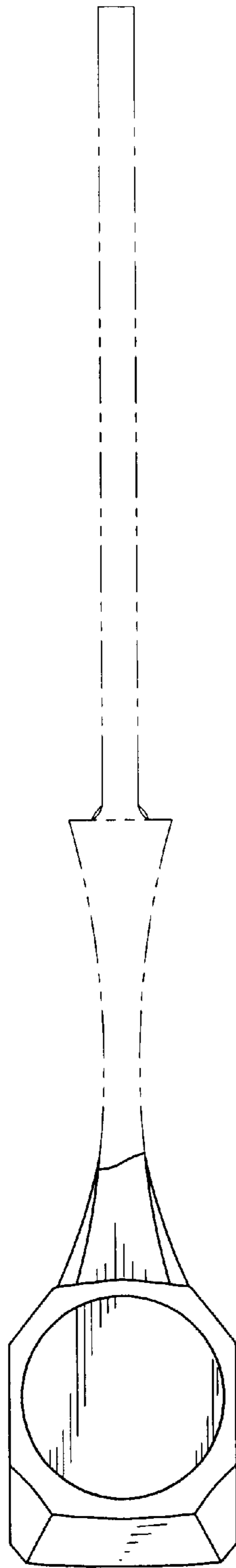


FIG. 6

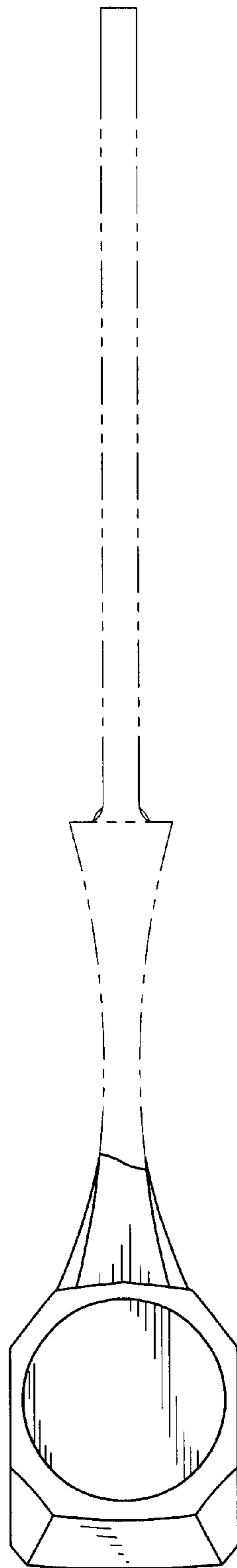


FIG. 7