



US00D532270S

(12) **United States Design Patent**
Concari

(10) **Patent No.:** **US D532,270 S**

(45) **Date of Patent:** **** Nov. 21, 2006**

(54) **DRILL CHUCK**

(75) Inventor: **Gabriel E Concari**, Eldersburg, MD
(US)

(73) Assignee: **Black & Decker Inc.**, Newark, DE
(US)

(**) Term: **14 Years**

(21) Appl. No.: **29/223,885**

(22) Filed: **Feb. 18, 2005**

(51) **LOC (8) Cl.** **08-01**

(52) **U.S. Cl.** **D8/70; D15/138**

(58) **Field of Classification Search** D8/61,
D8/62, 63, 64, 65, 66, 67, 68, 69, 70, 71;
279/60, 61, 62, 63, 64, 65, 66, 157, 901,
279/902; 408/56, 240; D15/132, 133, 138,
D15/139, 140

See application file for complete search history.

(56) **References Cited**

U.S. PATENT DOCUMENTS

4,955,623	A	*	9/1990	Rohm	279/60
5,135,241	A	*	8/1992	Huff et al.	279/157
D346,541	S	*	5/1994	Somers	D8/70
5,465,983	A	*	11/1995	Owens et al.	279/60
D386,193	S	*	11/1997	Steadings	D8/70
5,988,653	A		11/1999	Kuo		
5,992,859	A		11/1999	Lin		
D421,615	S	*	3/2000	Argo et al.	D8/70
6,247,706	B1		6/2001	Kuo		
6,257,596	B1		7/2001	Yang		
D461,696	S	*	8/2002	Chunn et al.	D8/70

6,488,286	B1		12/2002	Yaksich		
6,517,295	B1		2/2003	Lin		
6,554,289	B1		4/2003	Lin		
6,729,812	B1		5/2004	Yaksich et al.		
2004/0041357	A1	*	3/2004	Zhou	279/62
2005/0212223	A1	*	9/2005	Tian et al.	279/62
2006/0027978	A1	*	2/2006	Young et al.	279/62

* cited by examiner

Primary Examiner—T. Chase Nelson

(74) *Attorney, Agent, or Firm*—Harness, Dickey & Pierce, P.L.C.

(57) **CLAIM**

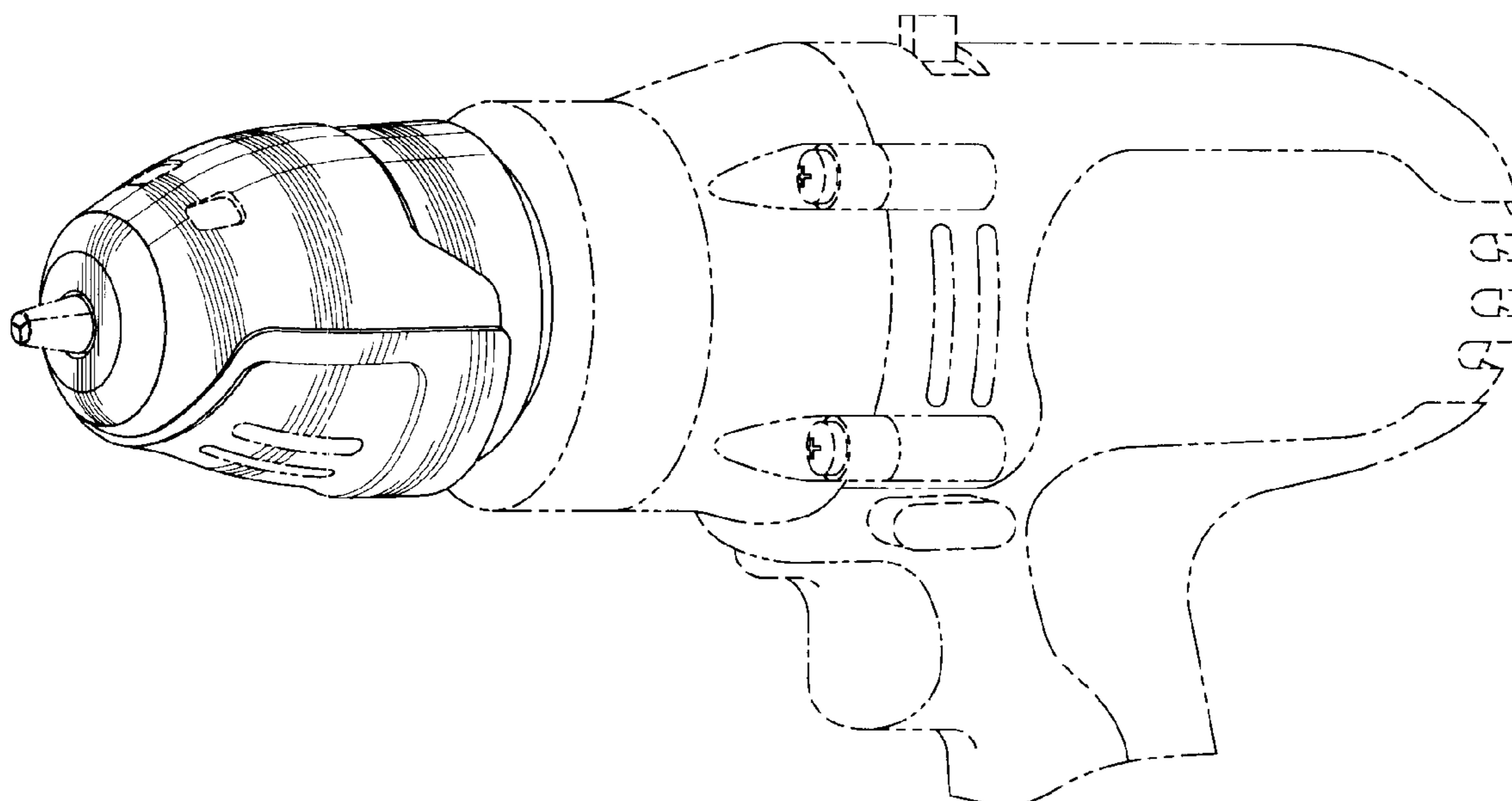
The ornamental design for a drill chuck, as shown and described.

DESCRIPTION

FIG. 1 is a front isometric view of a drill chuck in accordance with the present invention;
 FIG. 2 is a front elevation view of the drill chuck shown in FIG. 1;
 FIG. 3 is a rear elevation view of the drill chuck shown in FIG. 1;
 FIG. 4 is a left side view of the drill chuck shown in FIG. 1, the right side view being a mirror image thereof;
 FIG. 5 is a top plan view of the drill chuck shown in FIG. 1; and,
 FIG. 6 is a bottom plan view of the drill chuck shown in FIG. 1.

It is to be understood that the broken lines shown in the figures illustrate structure and features which form no part of the claimed design.

1 Claim, 3 Drawing Sheets



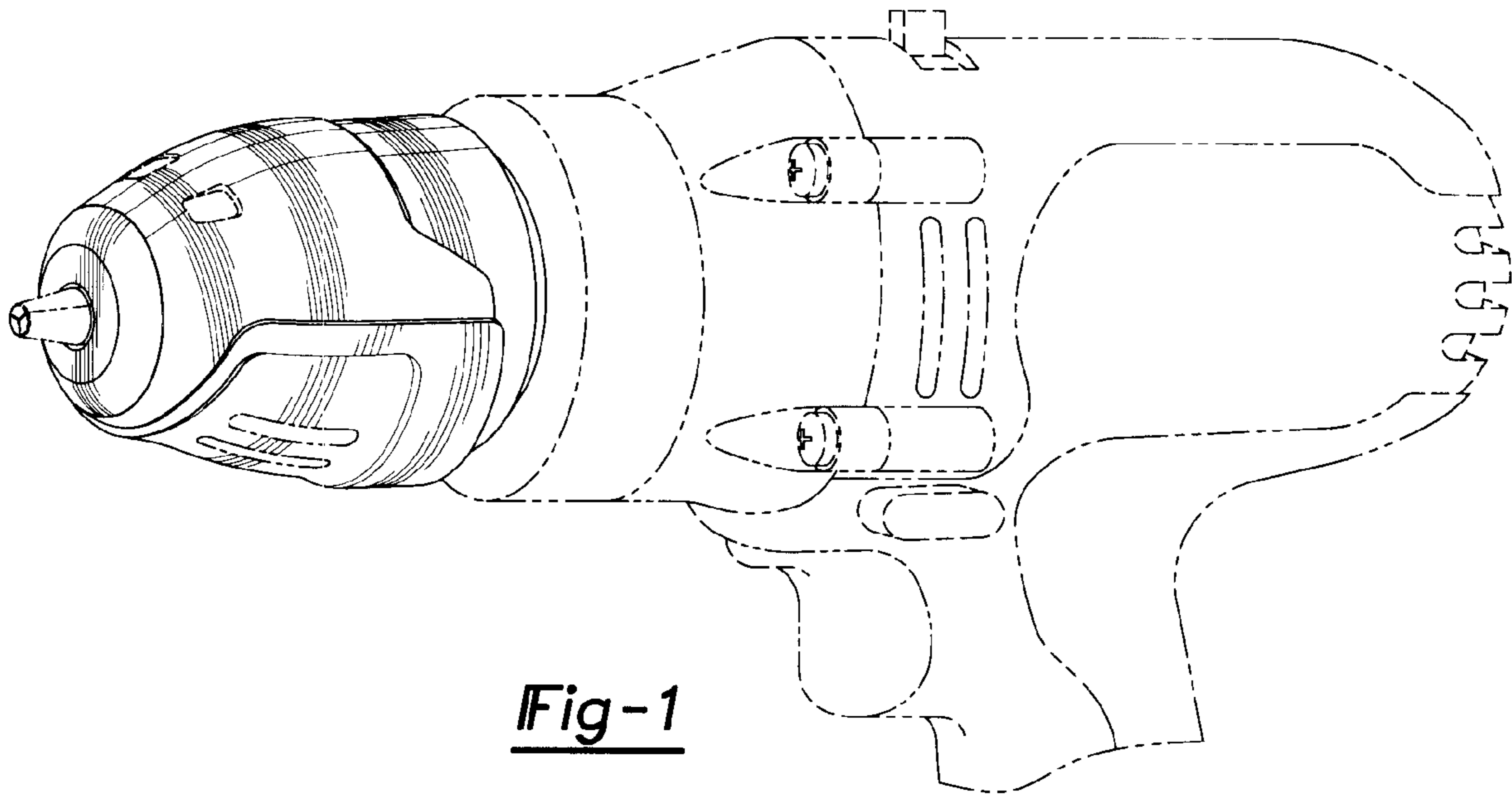


Fig-1

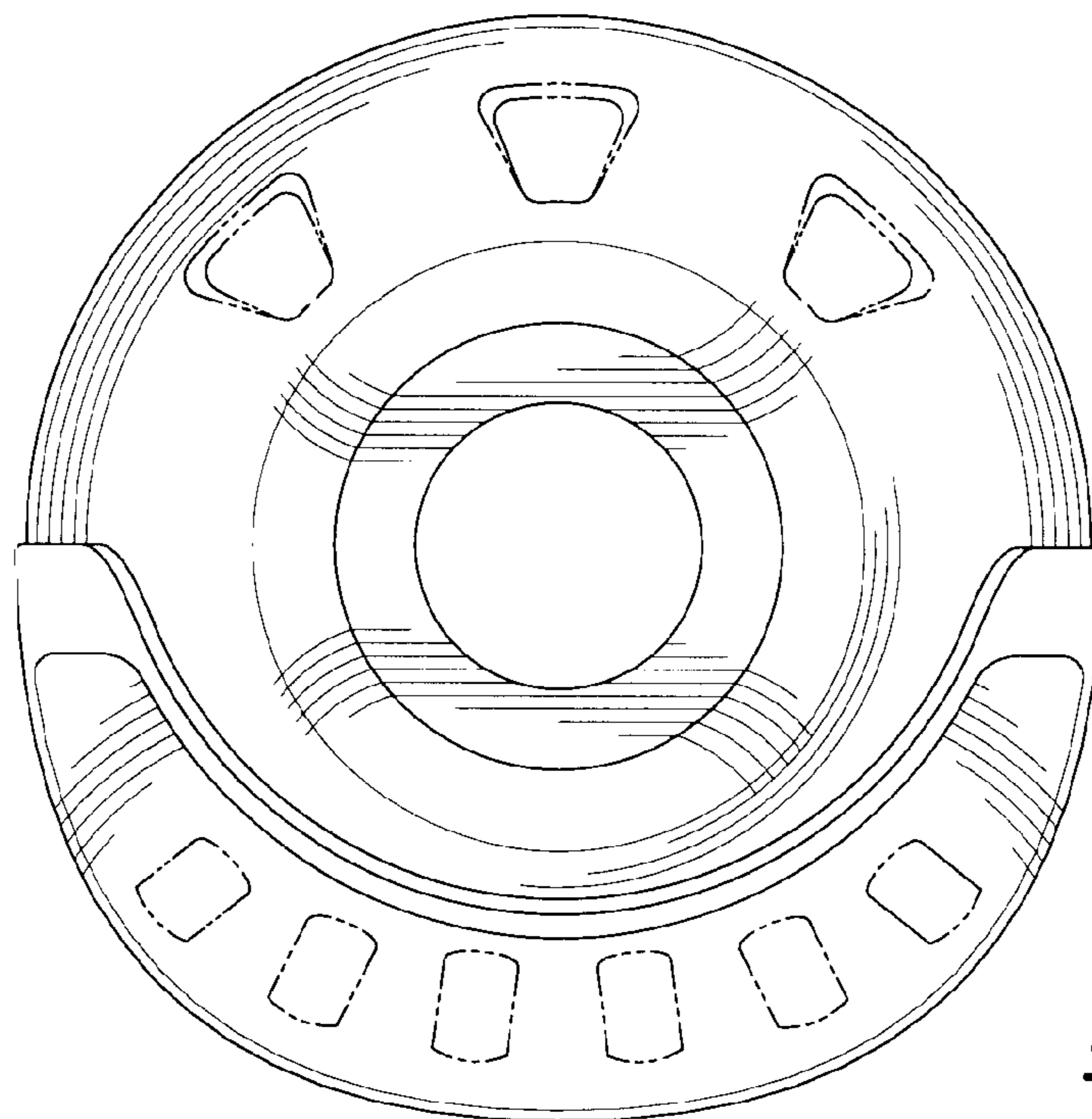


Fig-2

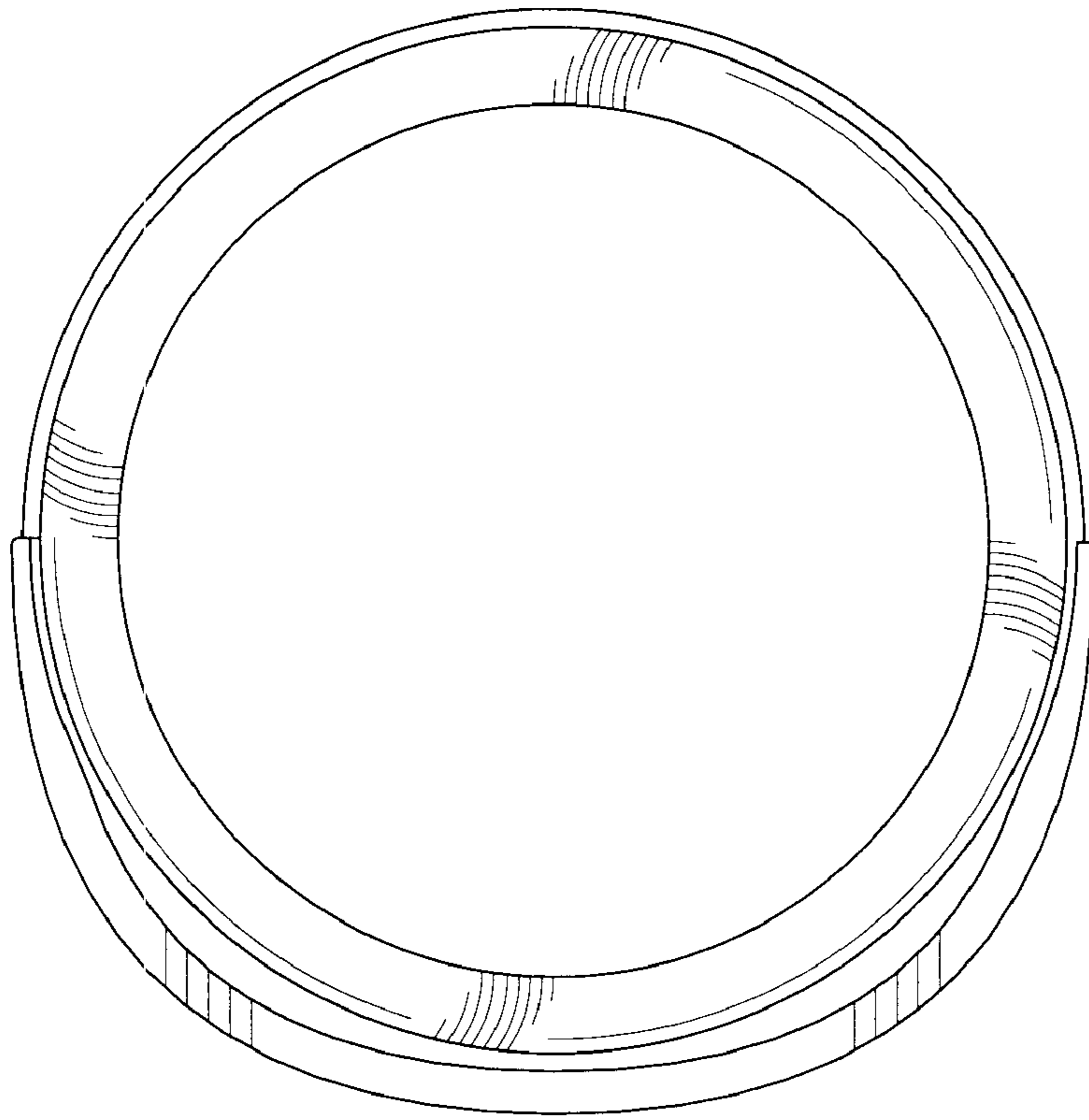


Fig-3

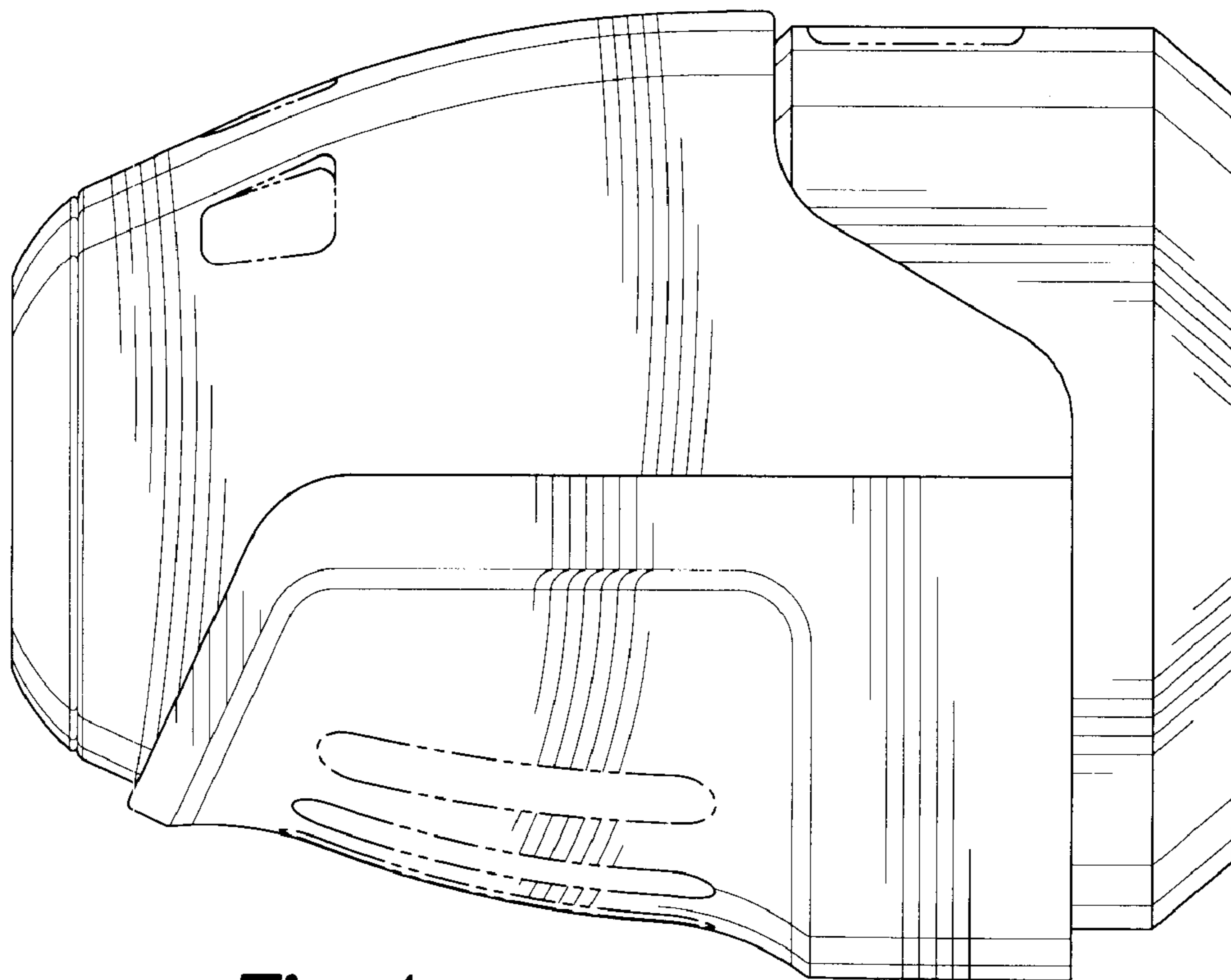


Fig-4

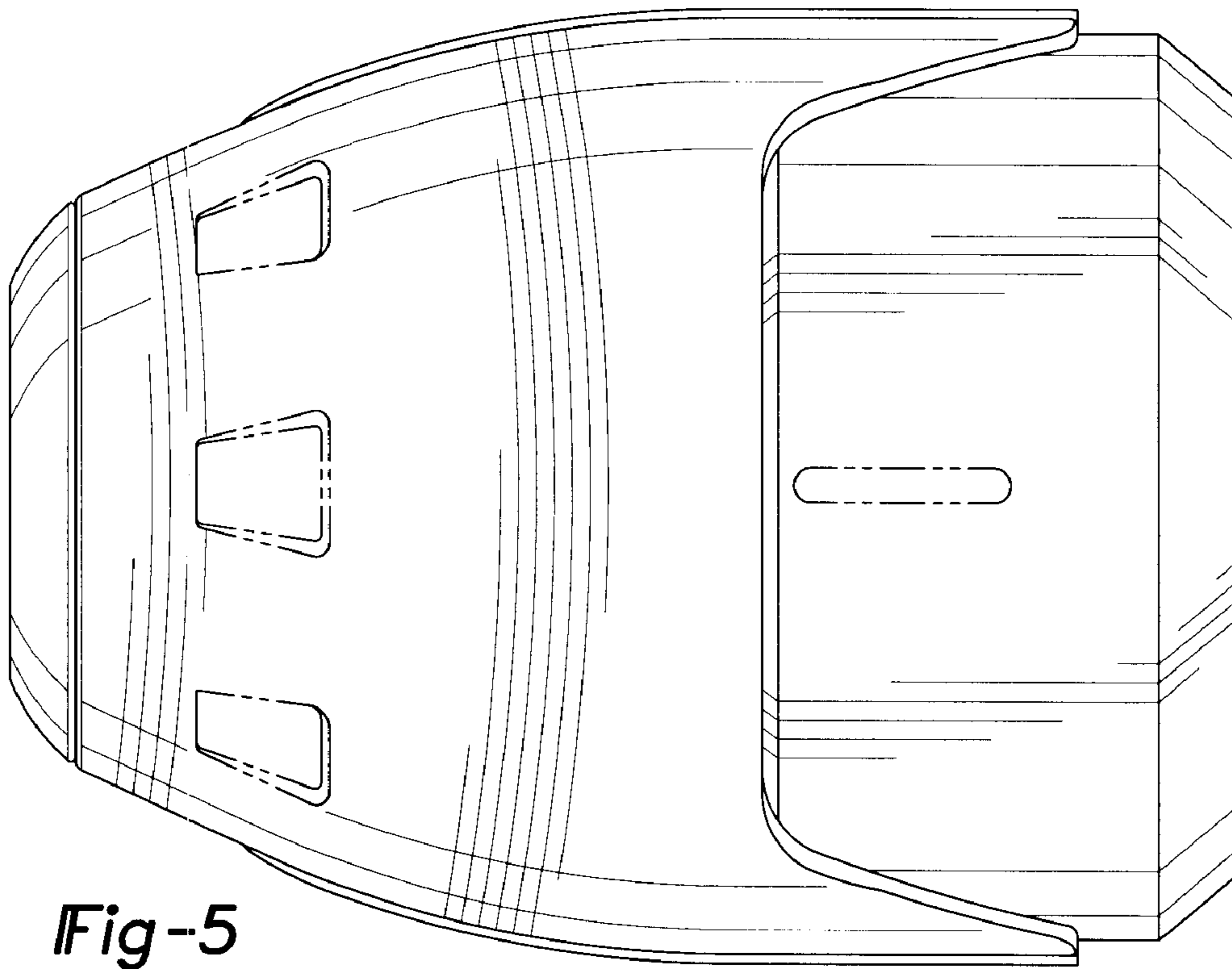


Fig-5

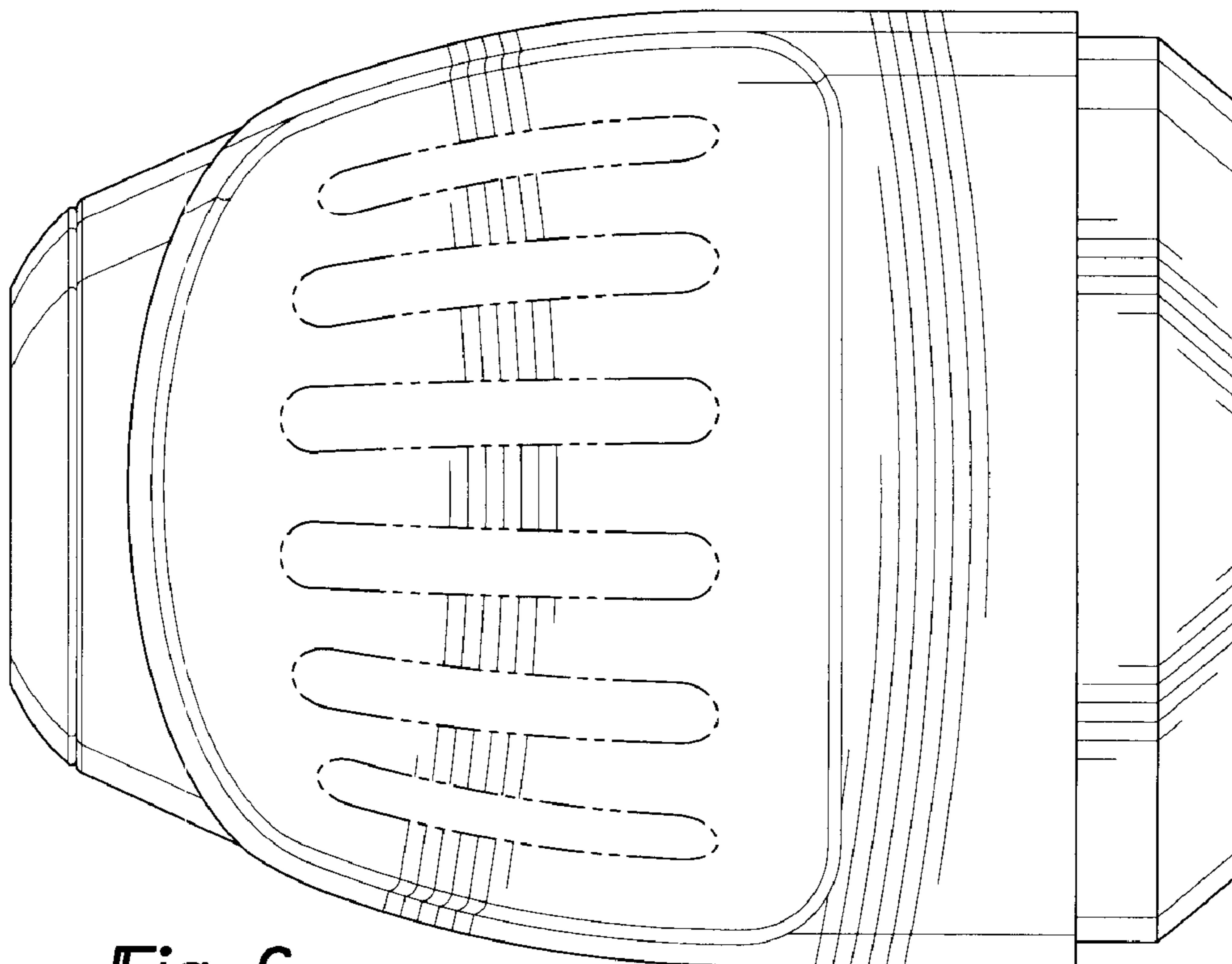


Fig-6