



US00D532264S

(12) **United States Design Patent**
Aniceto

(10) **Patent No.:** **US D532,264 S**

(45) **Date of Patent:** **** Nov. 21, 2006**

(54) **STAPLER**

(76) **Inventor:** **Ronald Aniceto**, 644 Lafayette Ave,
Apt., R4, Hawthorne, NJ (US) 07506

(**) **Term:** **14 Years**

(21) **Appl. No.:** **29/251,295**

(22) **Filed:** **Jan. 4, 2006**

(51) **LOC (8) Cl.** **08-01**

(52) **U.S. Cl.** **D8/50**

(58) **Field of Classification Search** D8/49,
D8/50, 61; D19/72; 227/120, 127, 128, 131,
227/132, 134, 156

See application file for complete search history.

(56) **References Cited**

U.S. PATENT DOCUMENTS

D414,999 S	*	10/1999	Wilson et al.	D8/50
D416,774 S	*	11/1999	Huang	D8/50
D436,009 S	*	1/2001	Chi Kuo	D8/50
D436,010 S	*	1/2001	Nakamura	D8/50
D466,774 S	*	12/2002	Lee	D8/50

D478,798 S	*	8/2003	Huang	D8/50
6,601,747 B1	*	8/2003	Chi Kuo	227/76
D479,449 S	*	9/2003	Kramer et al.	D8/50
D482,729 S	*	11/2003	Chi Kuo	D19/72
D502,850 S	*	3/2005	Sauter et al.	D8/50
D517,883 S	*	3/2006	Tsai	D8/50

* cited by examiner

Primary Examiner—Cathron C. Brooks

Assistant Examiner—Austin Murphy

(74) *Attorney, Agent, or Firm*—Sofer & Haroun, LLP

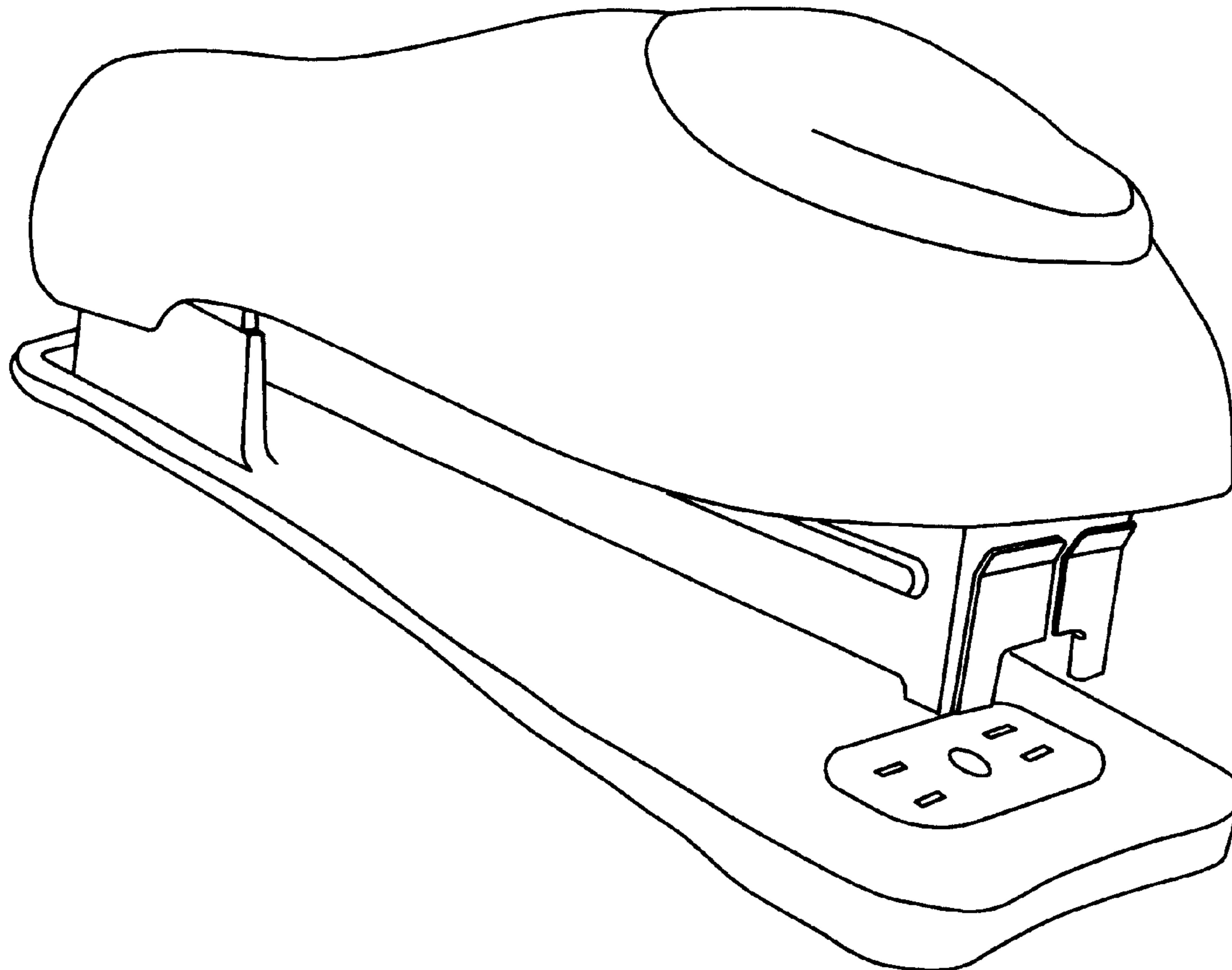
(57) **CLAIM**

I claim the ornamental design for a stapler, as shown.

DESCRIPTION

FIG. 1 is a plan view of a stapler showing my new design; FIG. 2 is a bottom view of the stapler as shown in FIG. 1; FIG. 3 is a top view of the stapler as shown in FIG. 1; FIG. 4 is a side elevation view of the stapler as shown in FIG. 1; and, FIG. 5 is a front elevation view of the stapler as shown in FIG. 1.

1 Claim, 5 Drawing Sheets



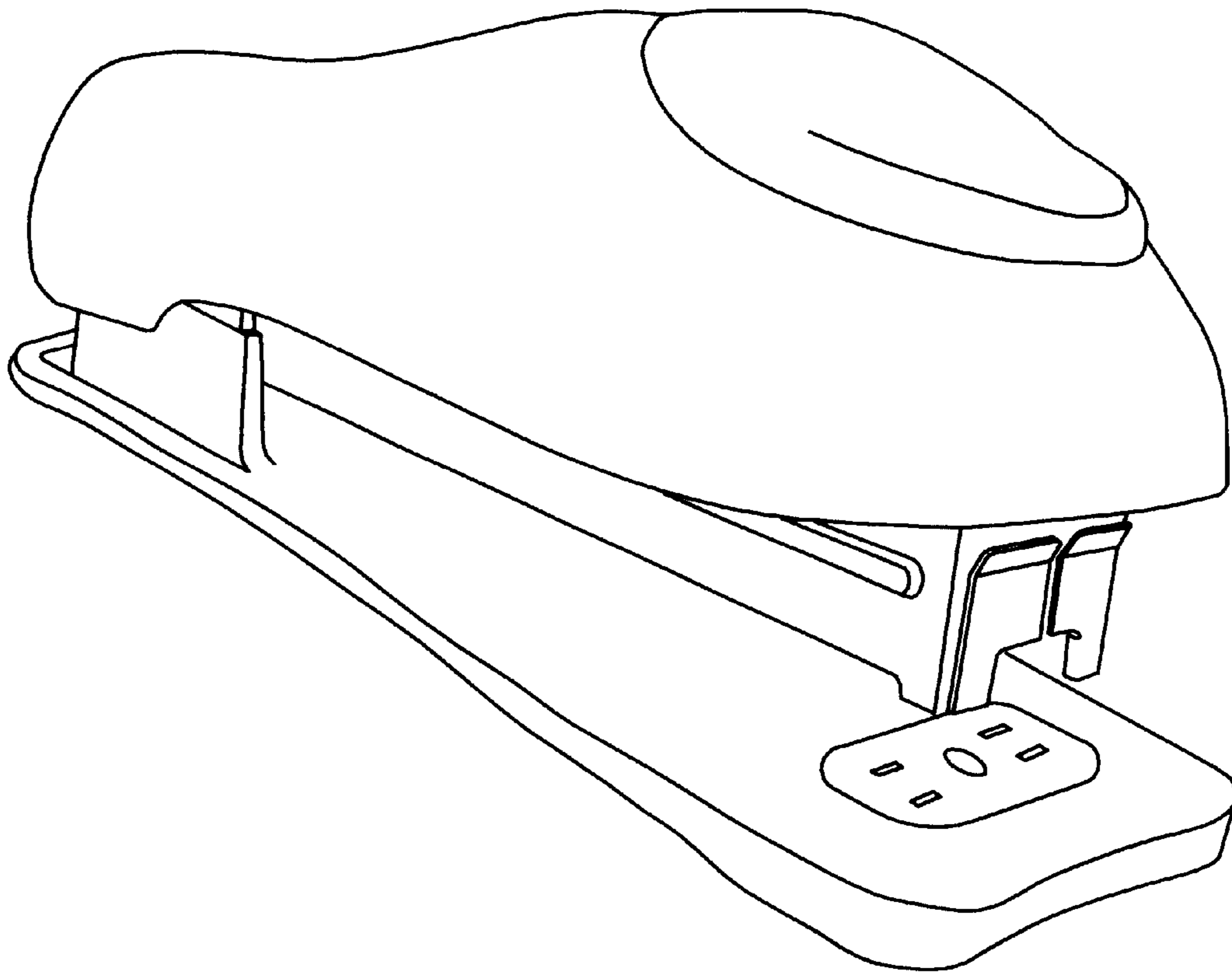


FIG. 1

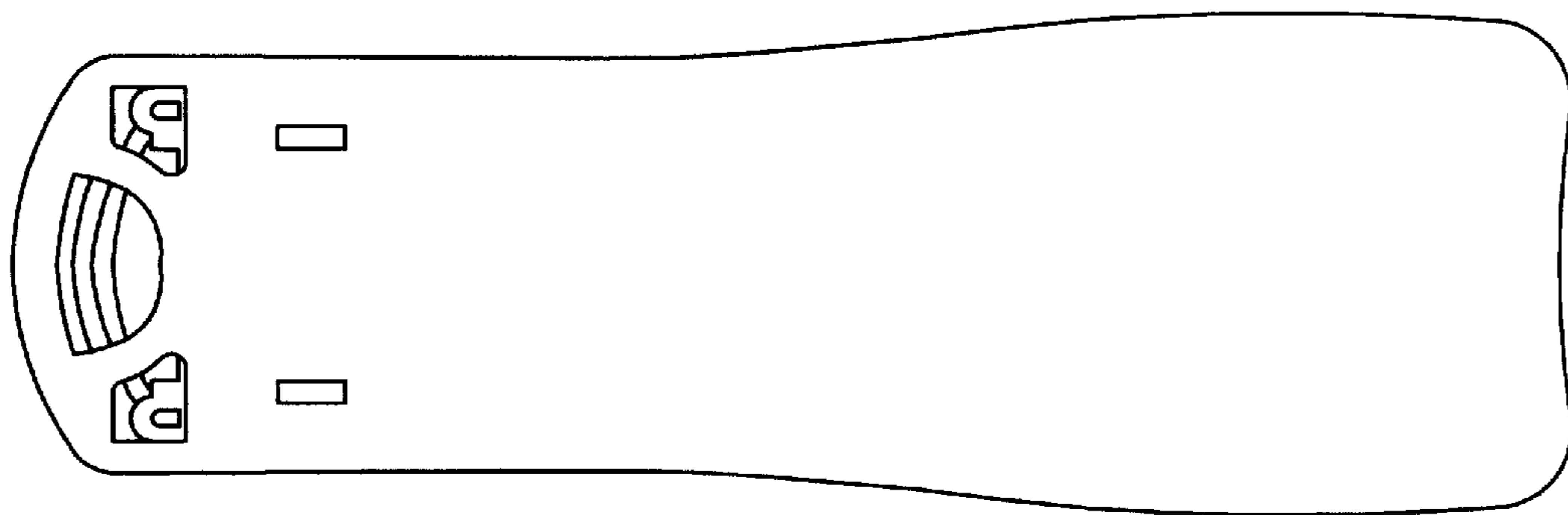


FIG. 2

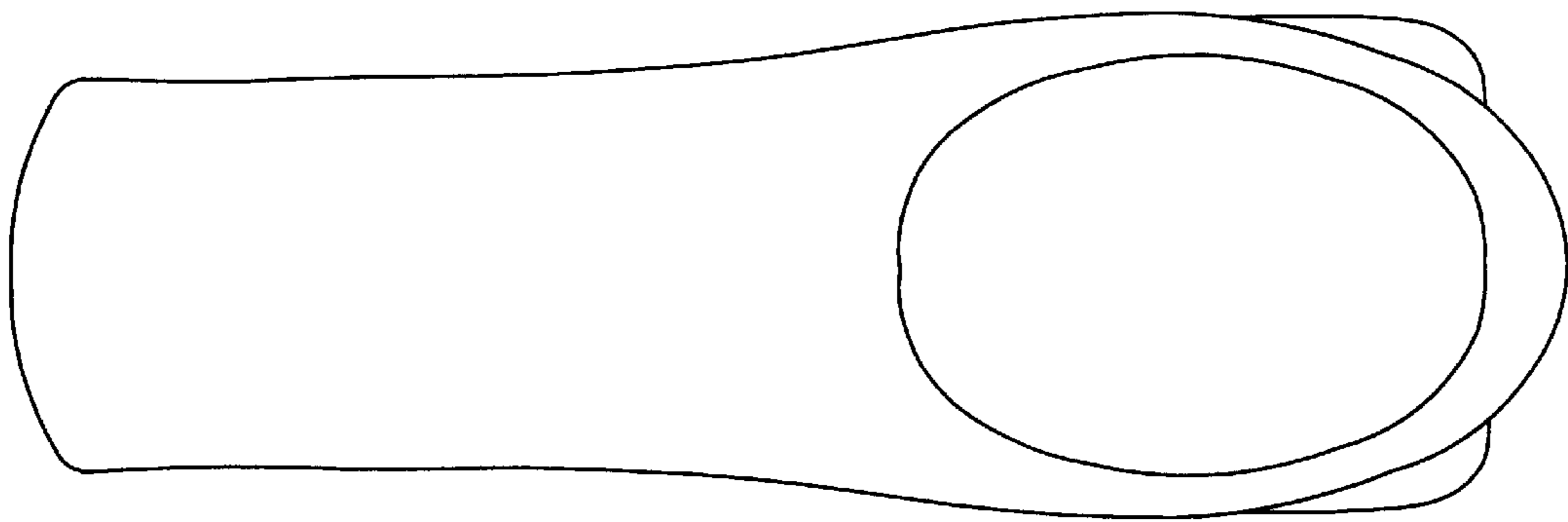


FIG. 3

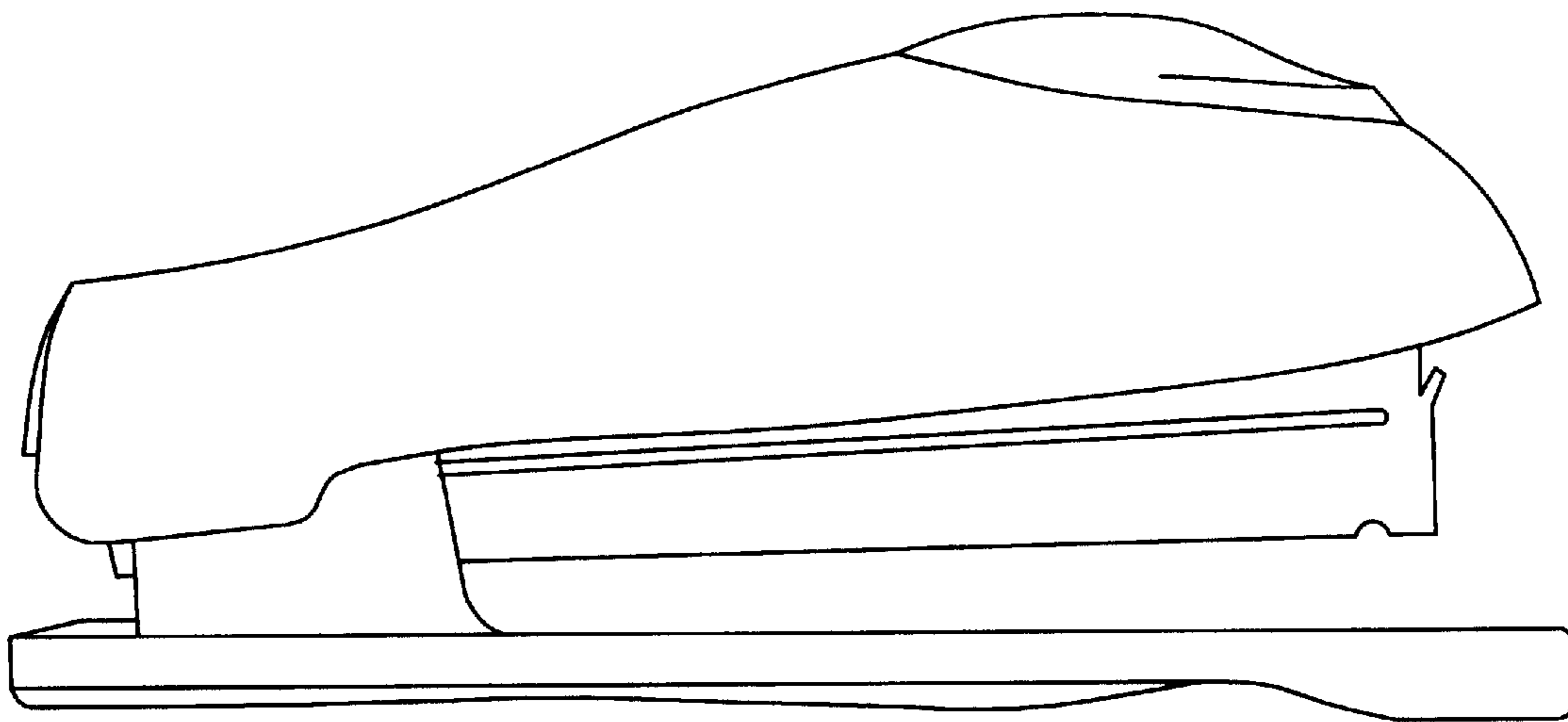


FIG. 4

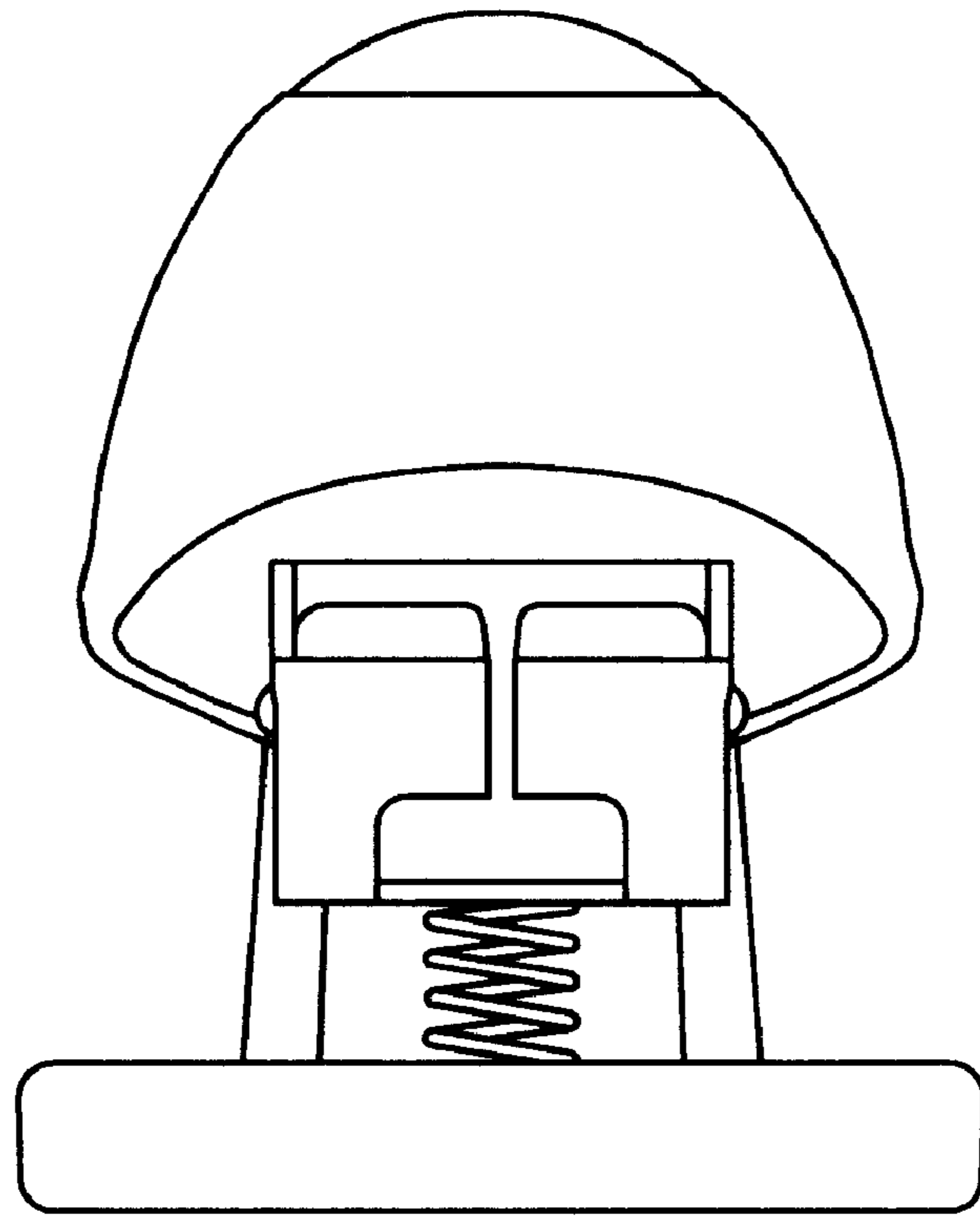


FIG. 5