



US00D532261S

(12) **United States Design Patent**  
**Mellen et al.**

(10) **Patent No.:** **US D532,261 S**

(45) **Date of Patent:** **\*\* Nov. 21, 2006**

(54) **MANDOLINE SLICER WITH SUCTION DEVICES**

(75) Inventors: **Christopher M. Mellen**, New York, NY (US); **Louis F. Henry**, Scarsdale, NY (US)

(73) Assignee: **Design For Living, L.L.C.**, New York, NY (US)

(\*\*) Term: **14 Years**

(21) Appl. No.: **29/232,218**

(22) Filed: **Jun. 16, 2005**

(51) **LOC (8) Cl.** ..... **07-04**

(52) **U.S. Cl.** ..... **D7/673**

(58) **Field of Classification Search** ..... D7/672, D7/673, 693, 381; 30/279.6; 83/669, 856, 83/857; 241/95, 100, 168, 169, 257.1, 273.1-273.4, 241/274, 285.2

See application file for complete search history.

(56) **References Cited**

**U.S. PATENT DOCUMENTS**

1,840,400	A	1/1932	Lebherz
1,871,113	A	8/1932	Compter et al.
2,089,714	A	8/1937	Schuler
2,542,101	A	2/1951	Suben

(Continued)

**FOREIGN PATENT DOCUMENTS**

FR	2347563	11/1977
GB	813265	5/1959
GB	906624	9/1962
GB	975271	11/1964
GB	1193899	6/1970
JP	5220042	8/1993

*Primary Examiner*—Terry A. Wallace

(74) *Attorney, Agent, or Firm*—Lathrop & Gage LC

(57) **CLAIM**

The ornamental design for a mandoline slicer with suction devices, as shown and described.

**DESCRIPTION**

FIG. 1 is a perspective view of a mandoline slicer with suction devices, showing the new design;

FIG. 2 is a front view of the mandoline slicer with suction devices of FIG. 1;

FIG. 3 is a right side view of the mandoline slicer with suction devices of FIG. 1;

FIG. 4 is a left side view of the mandoline slicer with suction devices of FIG. 1;

FIG. 5 is a back view of the mandoline slicer with suction devices of FIG. 1;

FIG. 6 is the top view of the mandoline slicer with suction devices of FIG. 1; and

FIG. 7 is the bottom view of the mandoline slicer with suction devices of FIG. 1.

FIG. 8 is a perspective view of another embodiment of a mandoline slicer with suction devices, showing the new design;

FIG. 9 is a front view of the mandoline slicer with suction devices of FIG. 8;

FIG. 10 is a right side view of the mandoline slicer with suction devices of FIG. 8;

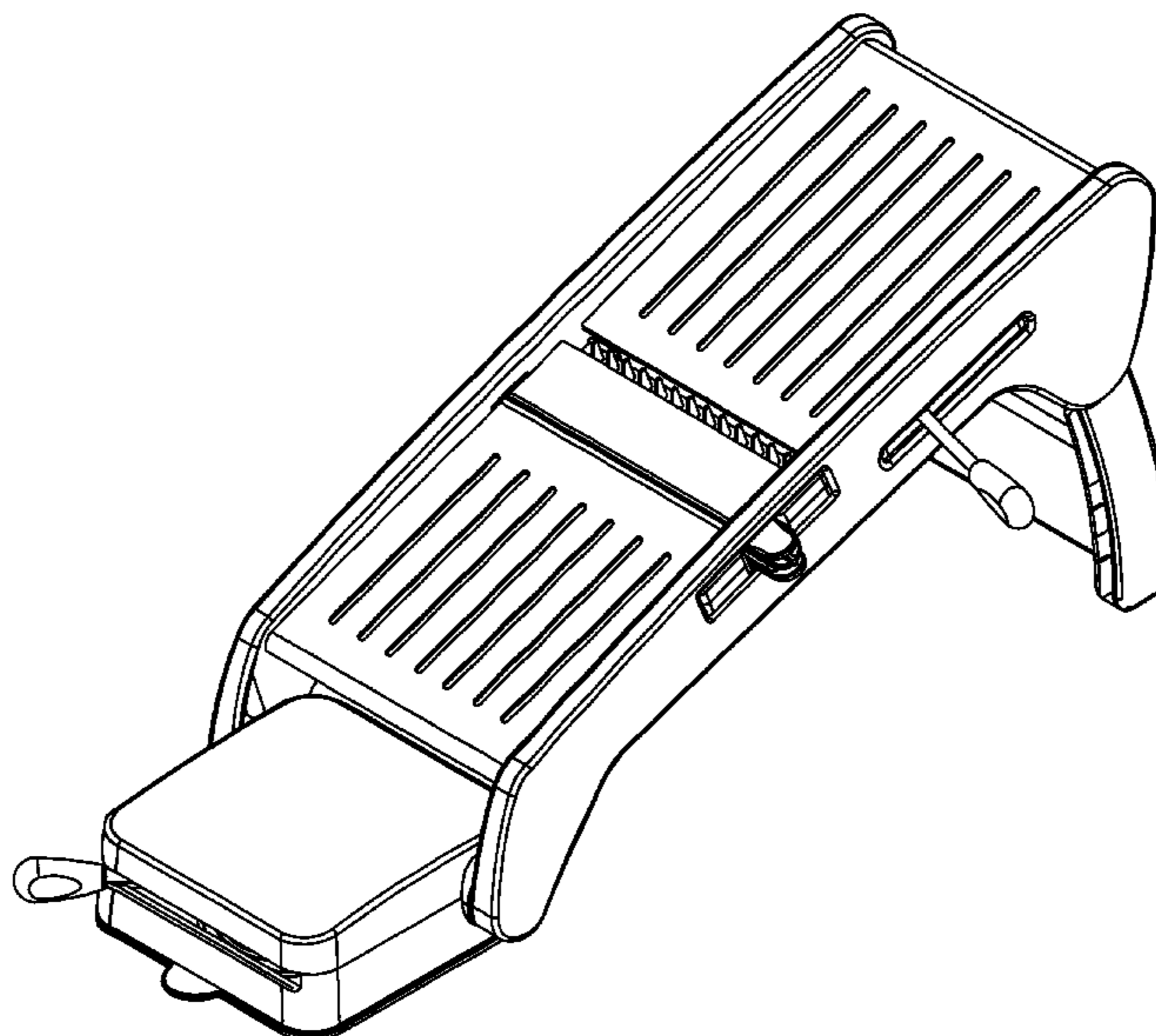
FIG. 11 is a left side view of the mandoline slicer with suction devices of FIG. 8;

FIG. 12 is a back view of the mandoline slicer with suction devices of FIG. 8;

FIG. 13 is the top view of the mandoline slicer with suction devices of FIG. 8; and,

FIG. 14 is the bottom view of the mandoline slicer with suction devices of FIG. 8.

**1 Claim, 14 Drawing Sheets**



# US D532,261 S

Page 2

## U.S. PATENT DOCUMENTS

				5,474,206	A	12/1995	Herring, Sr.
				D400,767	S	* 11/1998	de Saint-Genois ..... D7/673
2,871,053	A	1/1959	Richter	5,845,885	A	12/1998	Carnevali
2,940,713	A	6/1960	Van Dusen	5,970,860	A	10/1999	Yip
3,495,639	A	* 2/1970	Johansson ..... 241/95	5,992,806	A	11/1999	Adams
3,747,170	A	7/1973	Kieves	6,045,111	A	4/2000	Hsich
3,765,638	A	10/1973	Harrison	6,193,197	B1	2/2001	Lian
3,863,588	A	2/1975	Frederick	6,308,923	B1	10/2001	Howard
4,012,007	A	3/1977	Cunningham	6,371,324	B1	4/2002	Torniainen et al.
4,022,412	A	5/1977	Houlf	6,386,494	B1	5/2002	Huang
4,038,892	A	8/1977	Popeil	6,405,973	B1	6/2002	Hollinger
4,093,165	A	6/1978	Sussman	6,439,760	B1	8/2002	Langeloh et al.
4,505,446	A	3/1985	Roder	6,443,388	B1	9/2002	Hollinger
4,560,216	A	12/1985	Egawa	6,478,271	B1	11/2002	Mulholland
4,624,166	A	11/1986	Kreth et al.	6,561,476	B1	5/2003	Carnevali
4,733,589	A	3/1988	Wolff	6,596,374	B1	7/2003	Adjeleian
4,756,497	A	7/1988	Lan	6,604,646	B1	8/2003	Torniainen et al.
4,934,641	A	6/1990	McElhaney	6,619,604	B1	9/2003	Stillman
4,987,827	A	1/1991	Marquez	6,666,420	B1	12/2003	Carnevali
5,029,786	A	7/1991	Wu	6,732,622	B1	5/2004	Vincent
5,065,973	A	11/1991	Want	6,739,061	B1	5/2004	Montel
5,076,527	A	12/1991	Yung-Huei	D495,218	S	* 8/2004	Yu ..... D7/673
5,085,390	A	2/1992	Murphy	6,776,368	B1	8/2004	Duncan et al.
5,087,005	A	2/1992	Holoff et al.	6,808,090	B1	10/2004	Pedersen
5,104,077	A	4/1992	Liu	D503,314	S	3/2005	Wong
D326,388	S	5/1992	Boerner	2004/0031158	A1	2/2004	Boerner
5,186,559	A	2/1993	Fu	2004/0216579	A1	11/2004	Zeder et al.
5,366,129	A	11/1994	Nakamura et al.				
5,381,990	A	1/1995	Belokin et al.				
5,395,159	A	3/1995	Pinto				

\* cited by examiner

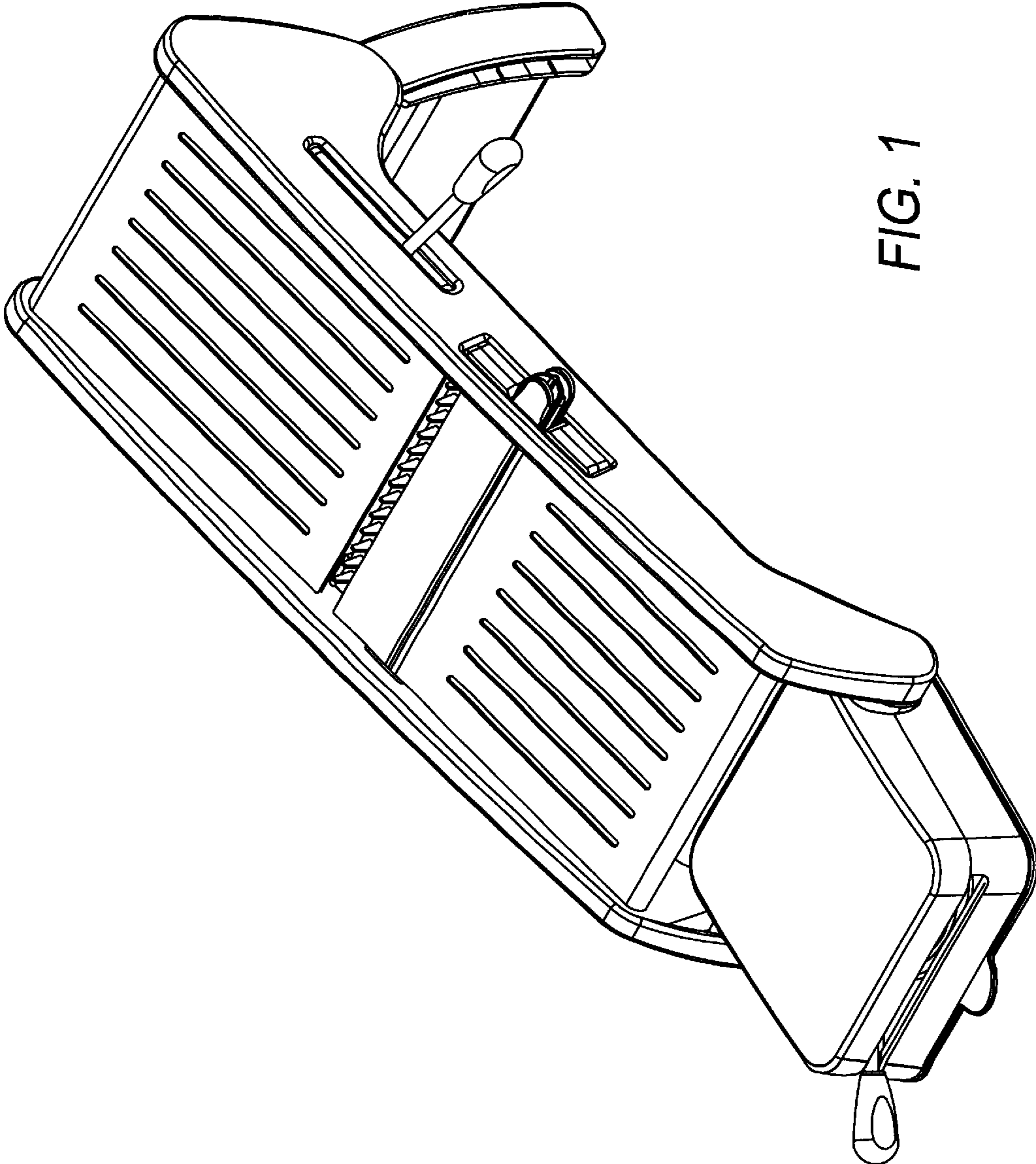


FIG. 1

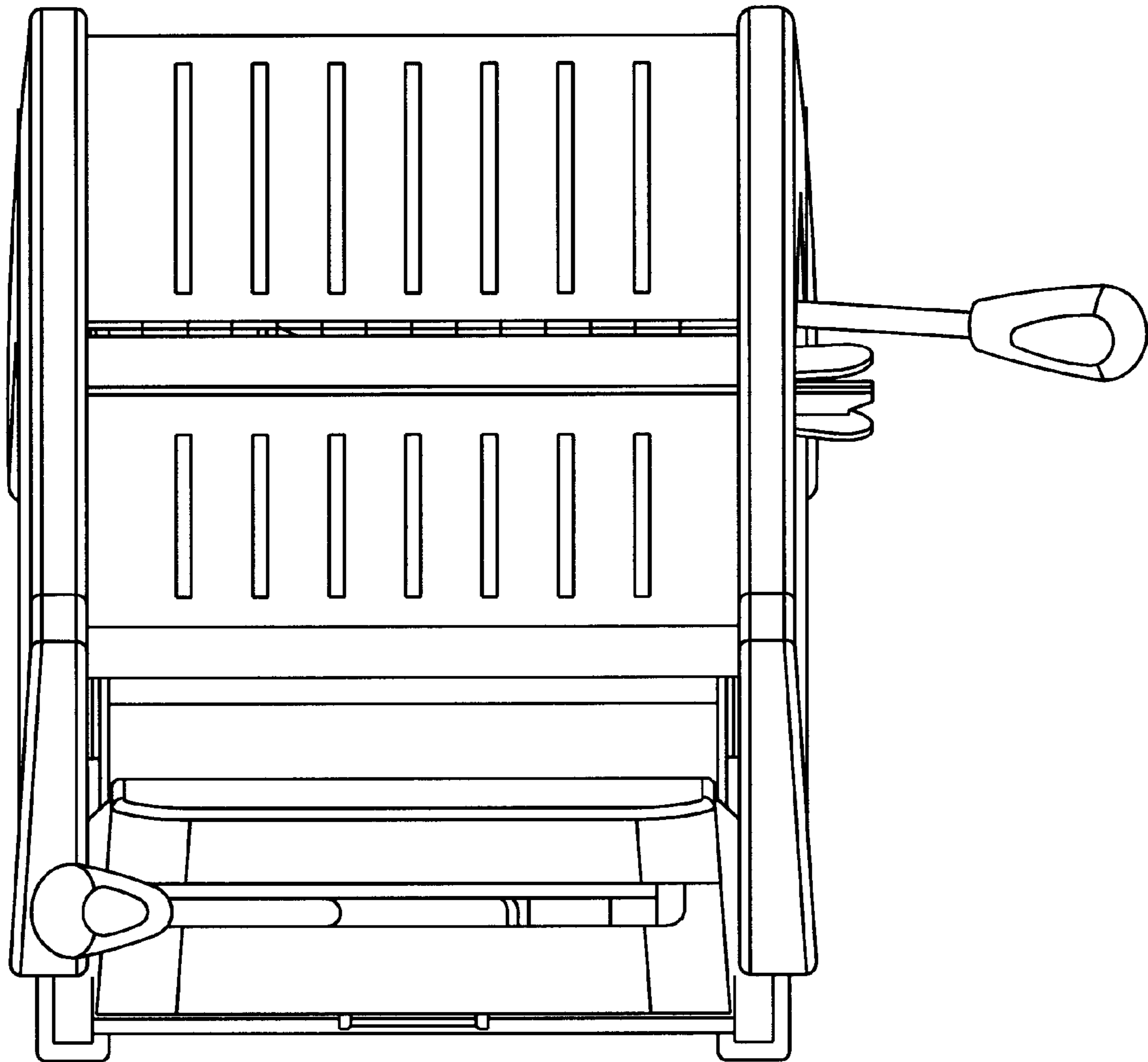


FIG. 2

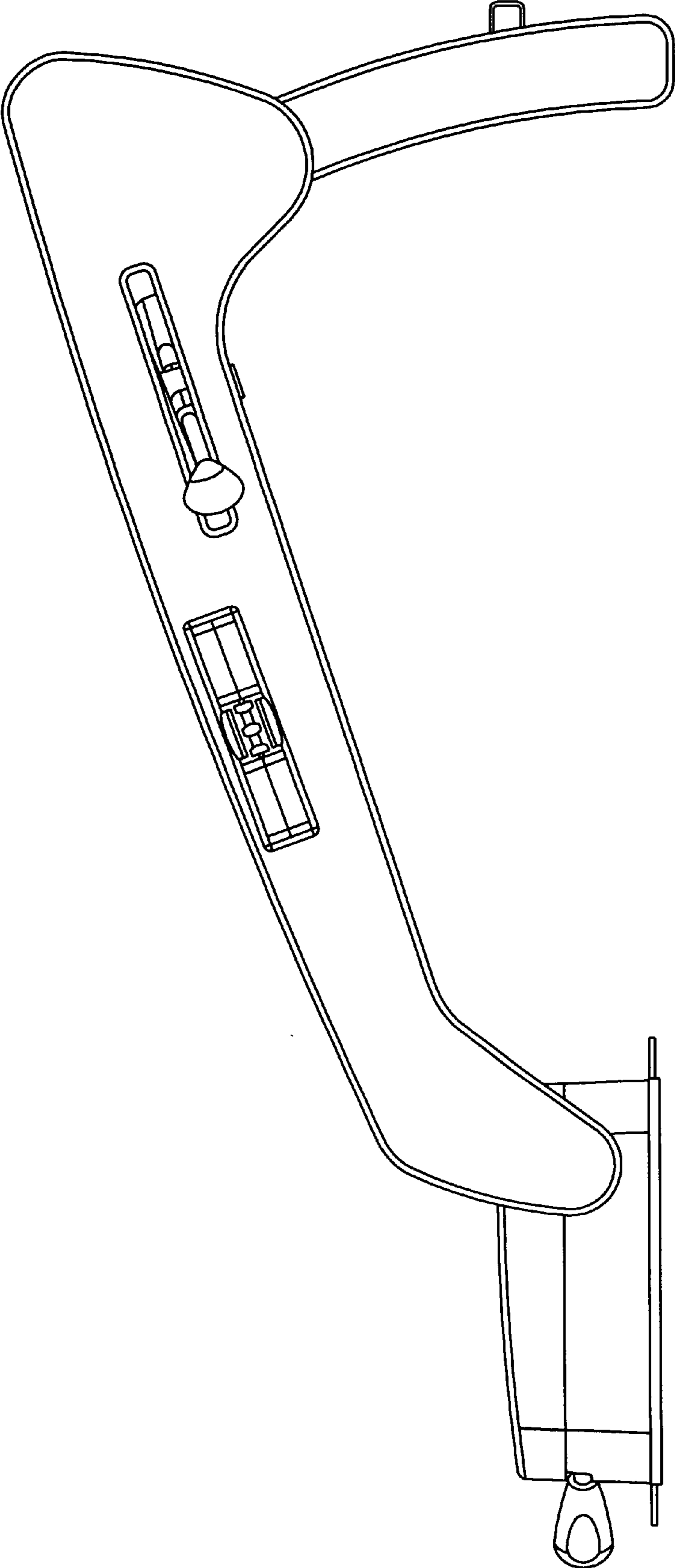


FIG. 3

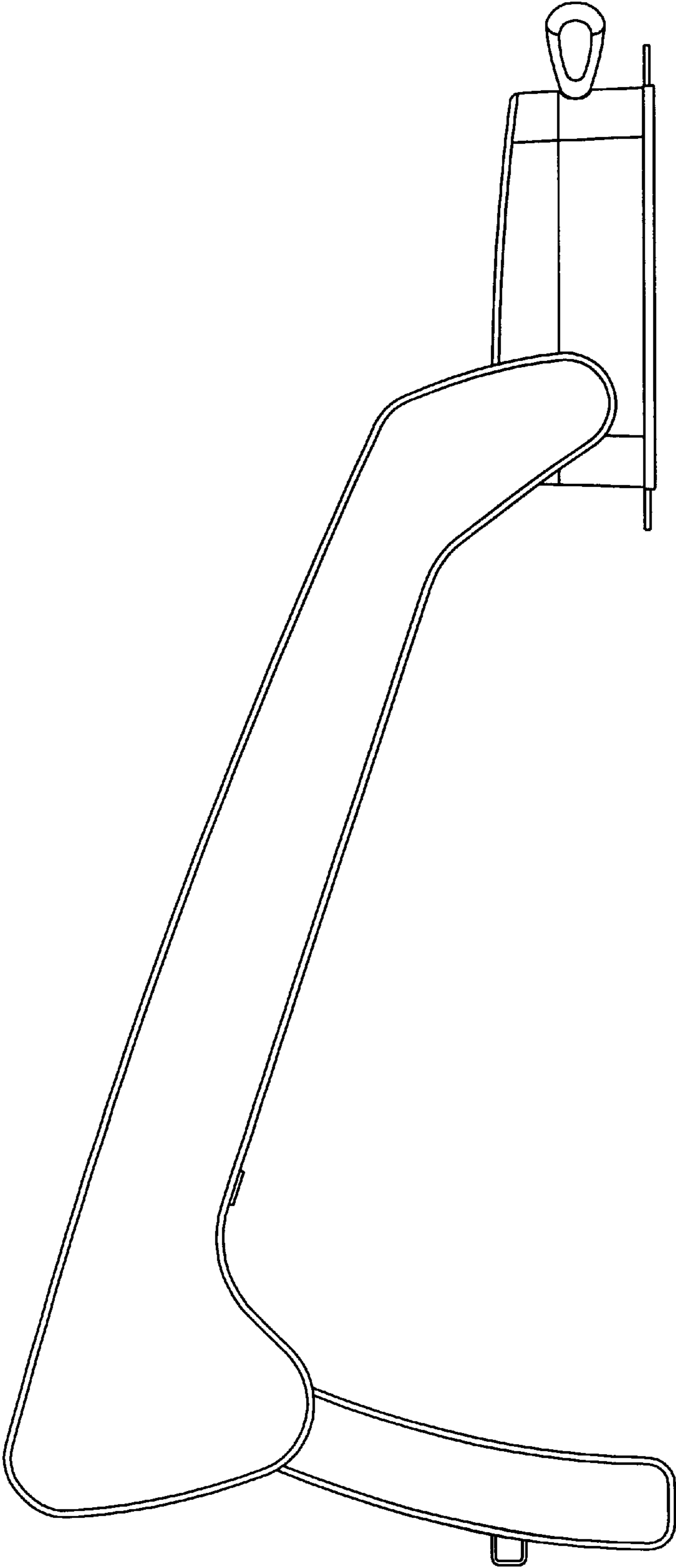
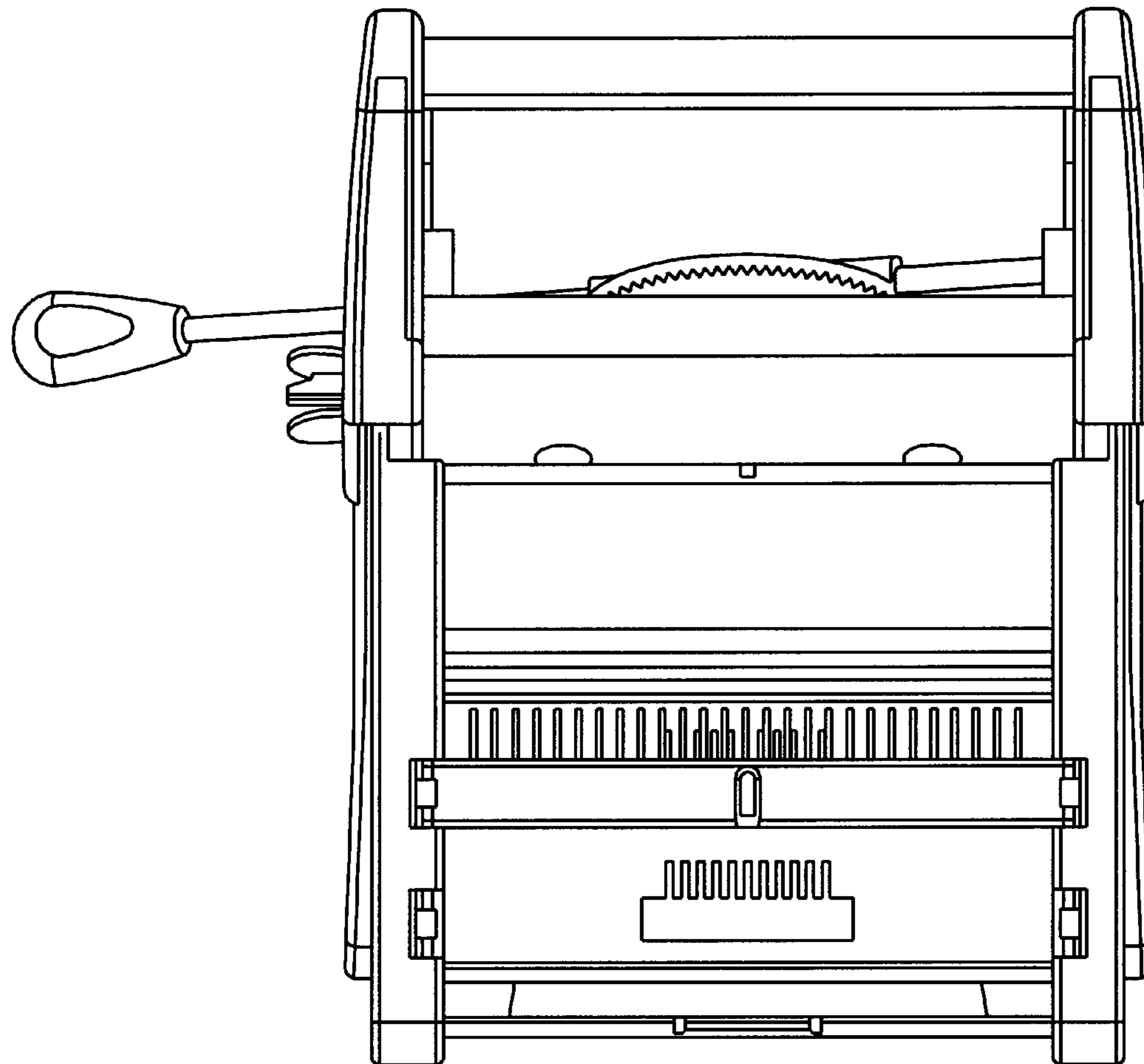
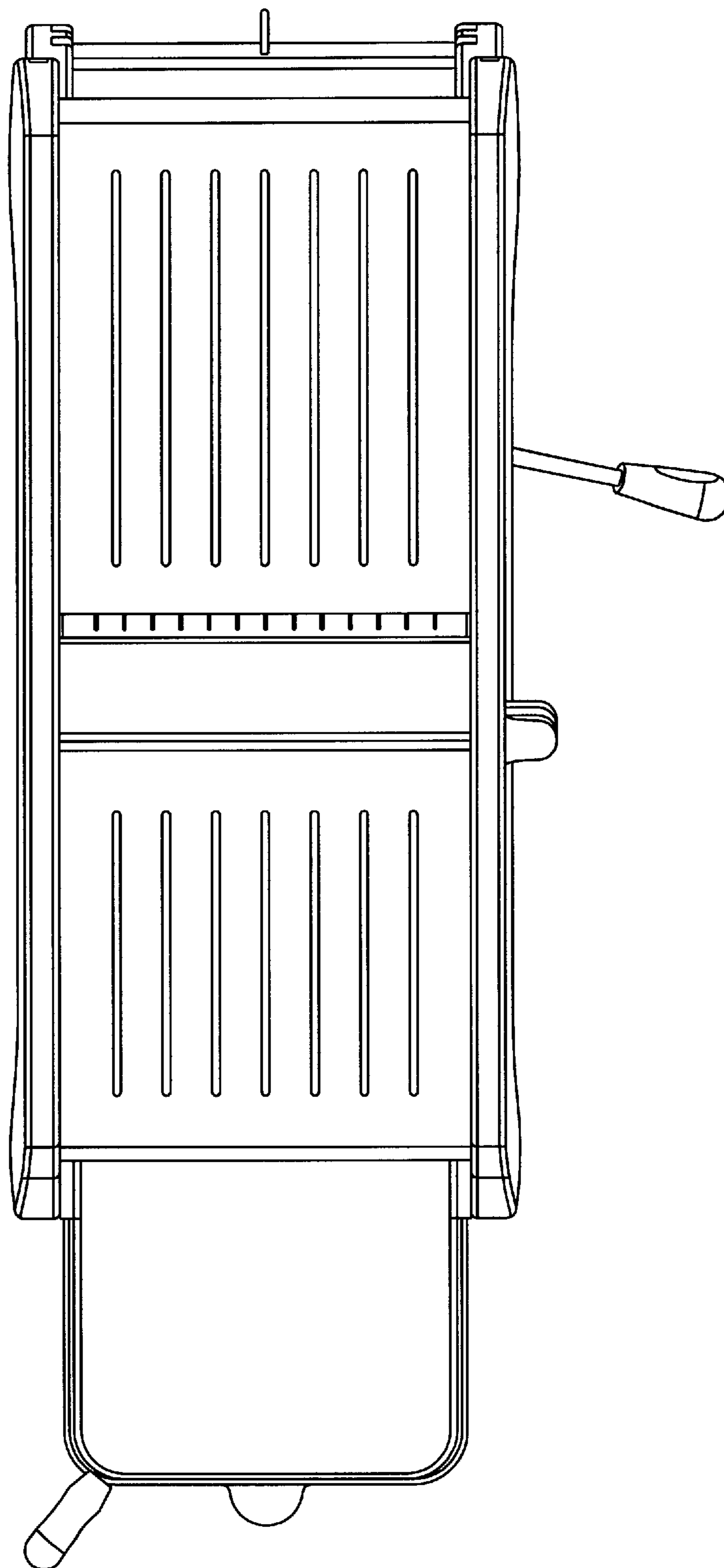


FIG. 4



*FIG. 5*



*FIG. 6*



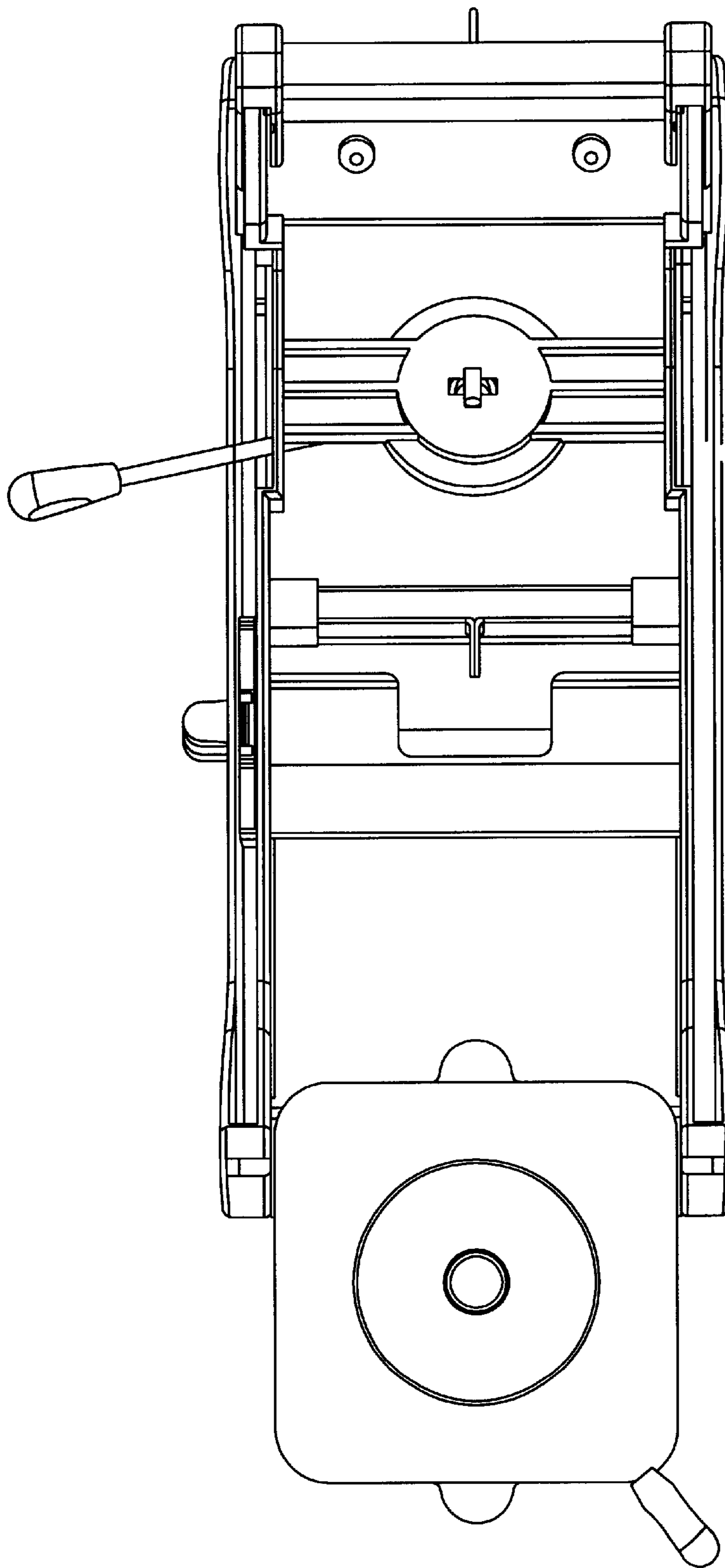


FIG. 7

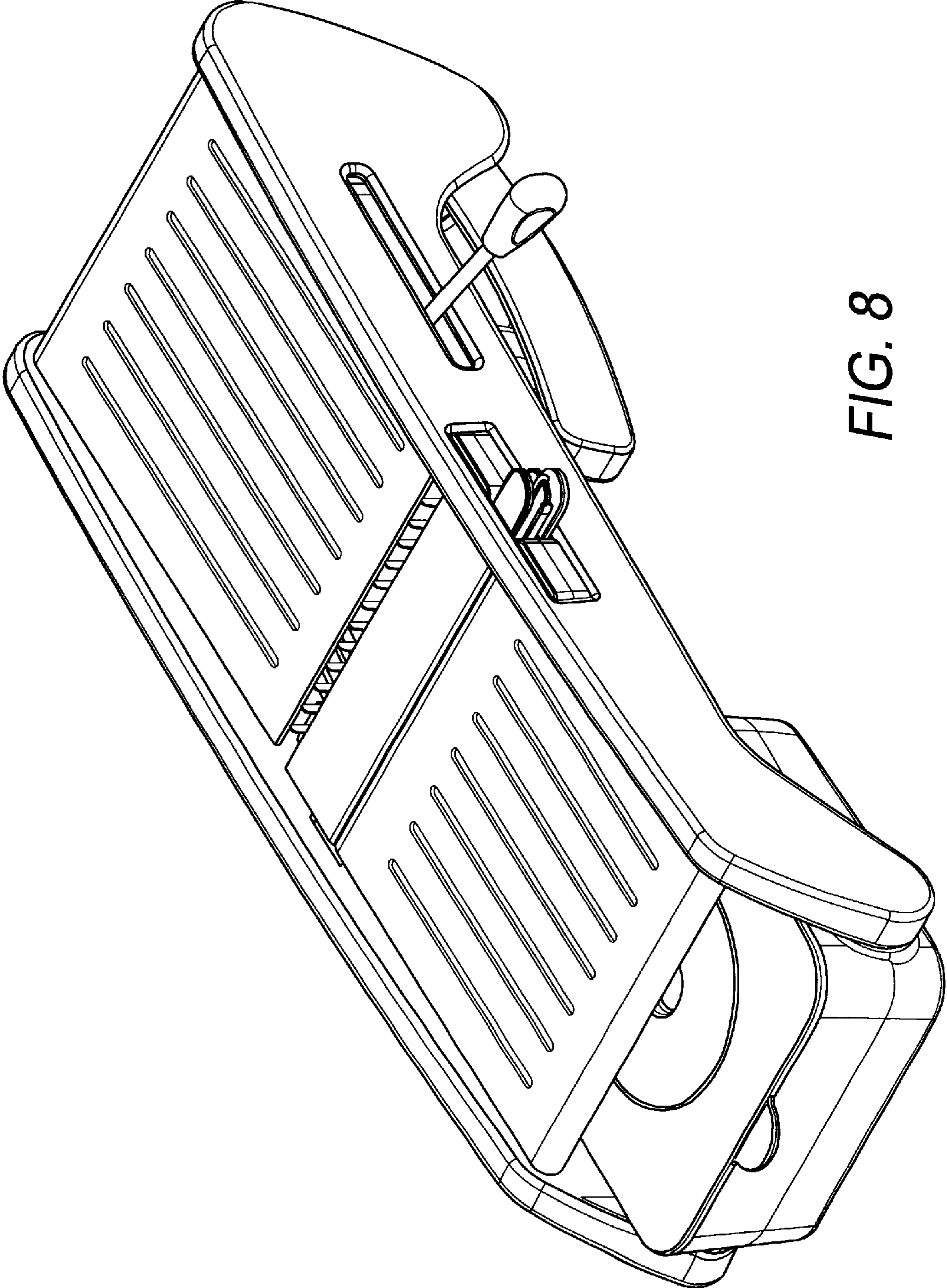
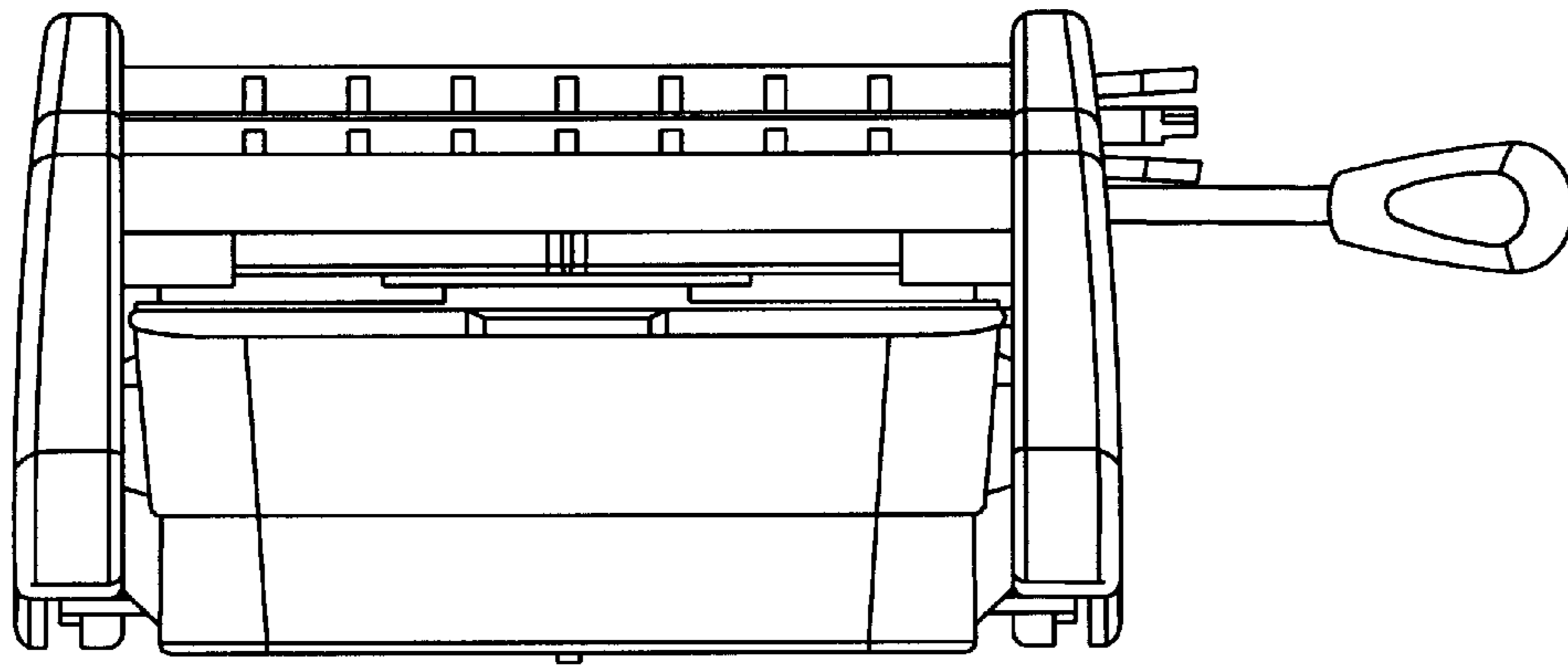


FIG. 8



*FIG. 9*

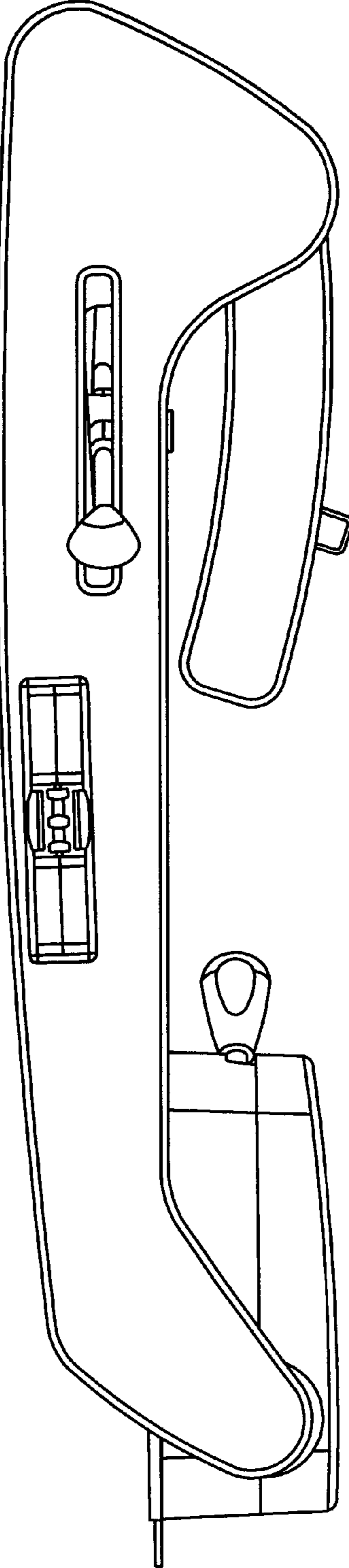


FIG. 10

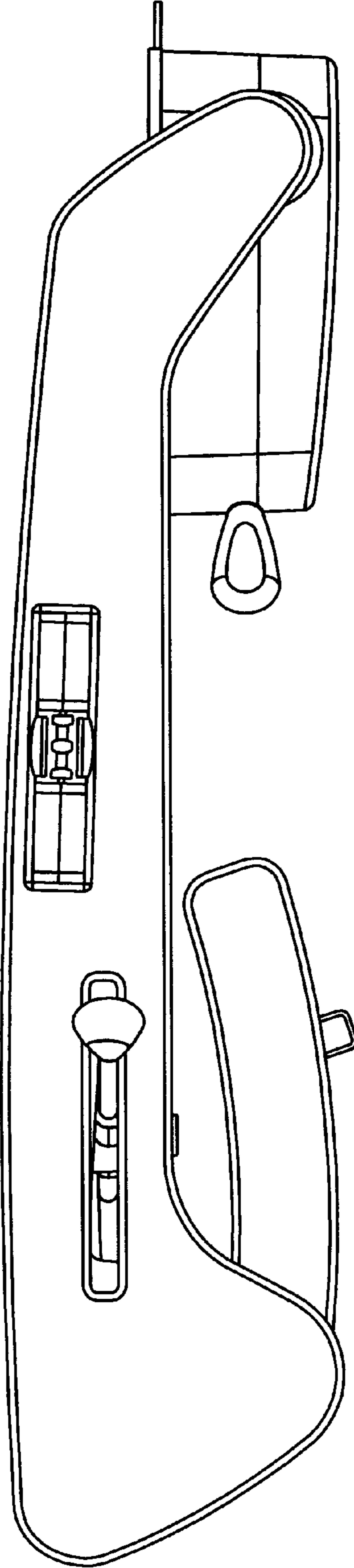
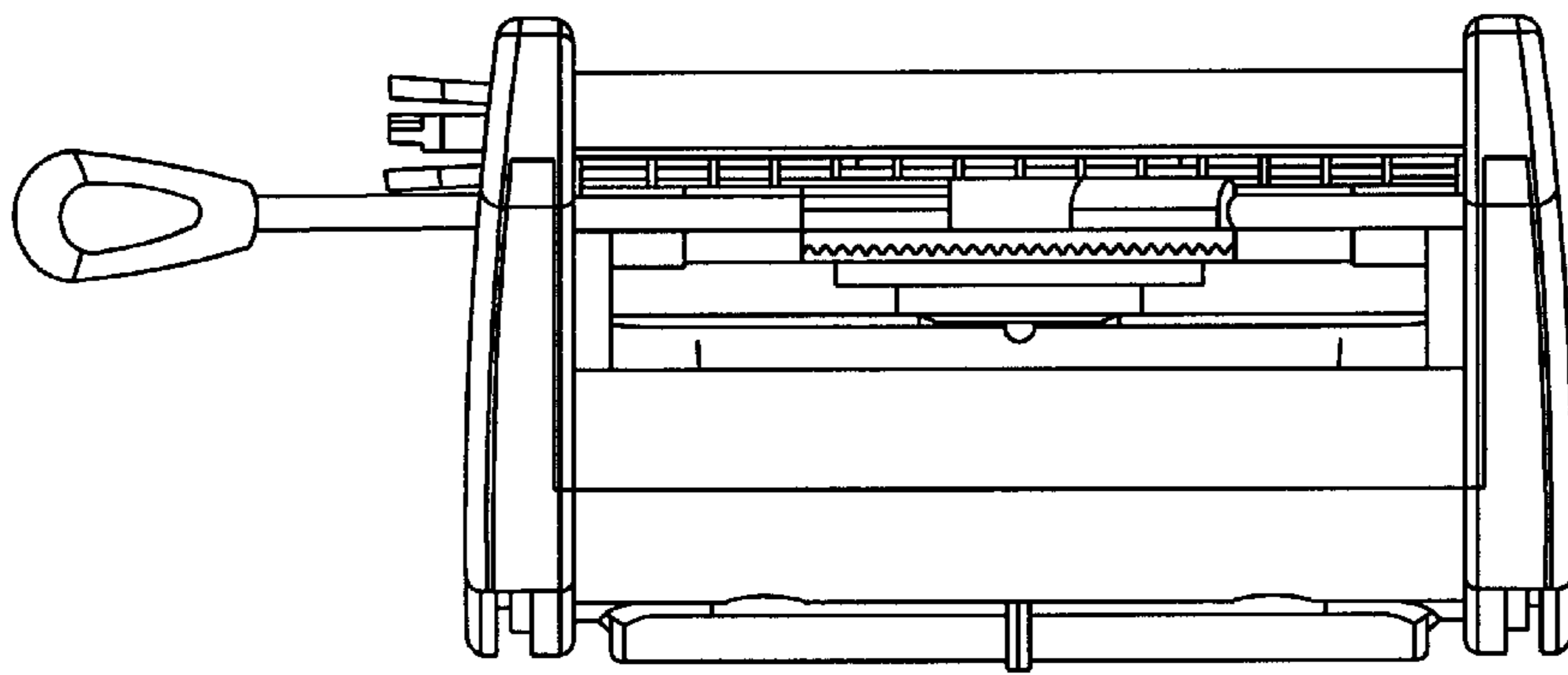
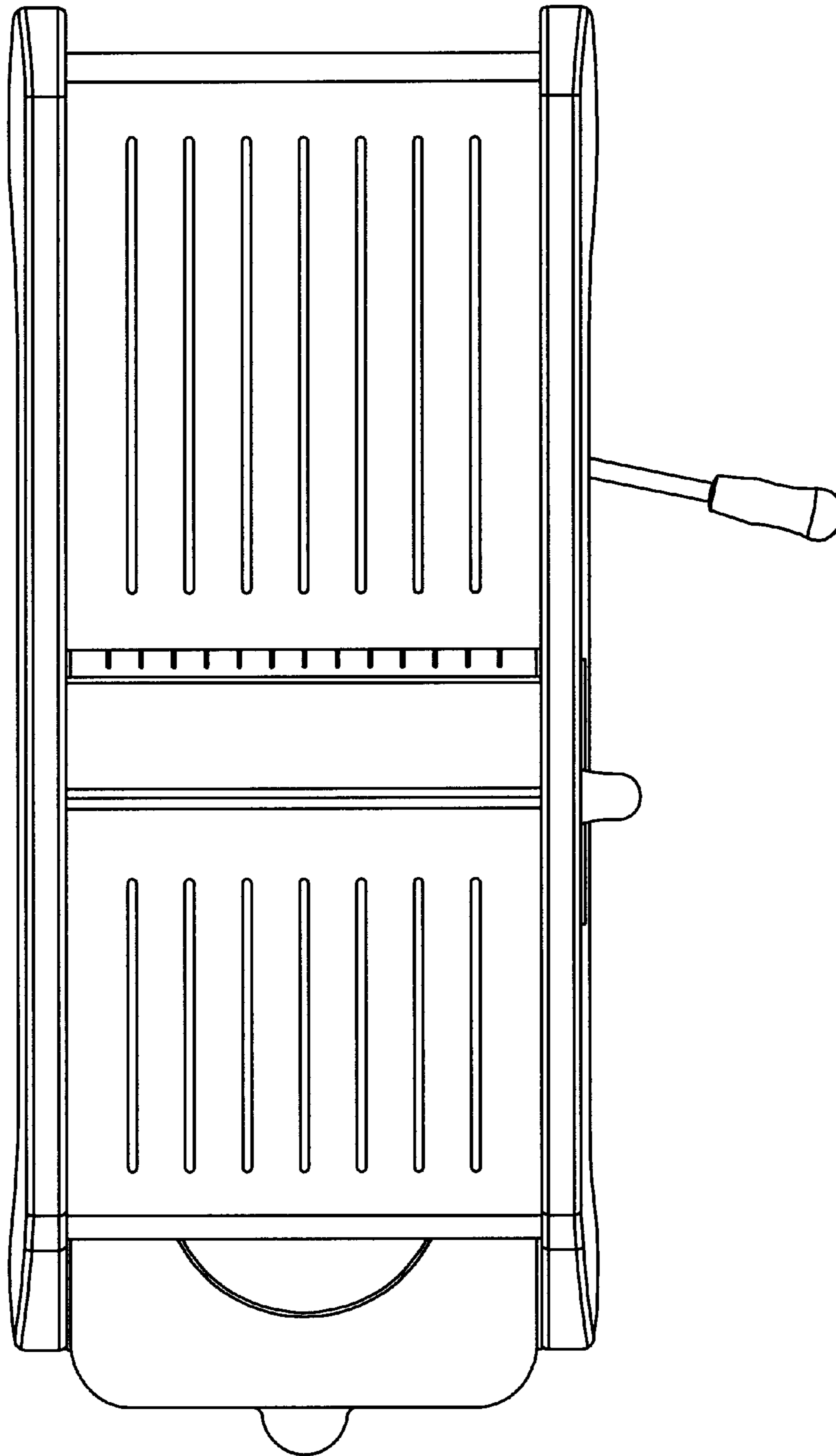


FIG. 11



*FIG. 12*



*FIG. 13*

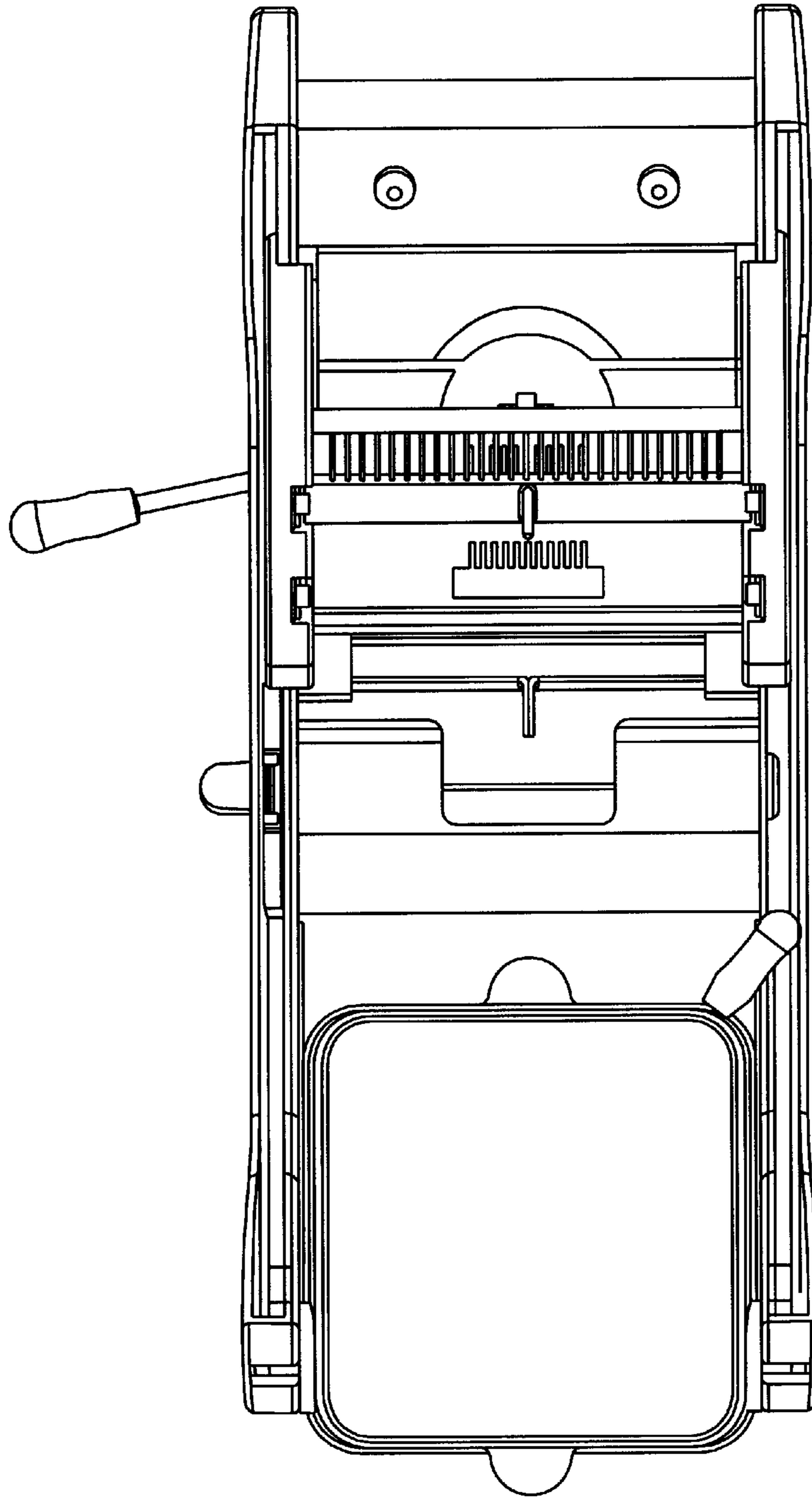


FIG. 14